



US00D906831S

(12) **United States Design Patent** (10) **Patent No.:** **US D906,831 S**
Unterlechner (45) **Date of Patent:** **** *Jan. 5, 2021**

(54) **BAG**

B65D 17/161; B65D 17/163; B65D 17/20; B65F 1/006; B65F 1/062; B65F 1/1415

(71) Applicant: **ALPLA Werke Alwin Lehner GmbH & Co. KG**, Hard (AT)

See application file for complete search history.

(72) Inventor: **Oliver Unterlechner**, Bregenz (AT)

(56) **References Cited**

(73) Assignee: **ALPLA WERKE ALWIN LEHNER GMBH & CO. KG**

U.S. PATENT DOCUMENTS

(*) Notice: This patent is subject to a terminal disclaimer.

D586,232 S *	2/2009	Friebe	D9/707
D684,867 S *	6/2013	English	D9/707
D684,868 S *	6/2013	Kessler, Jr.	D9/707
D689,370 S *	9/2013	Bower	D9/707
D848,858 S *	5/2019	Tastan	D9/705
D874,876 S *	2/2020	Finell	D7/602
D876,891 S *	3/2020	Finell	D7/509

(**) Term: **15 Years**

* cited by examiner

(21) Appl. No.: **29/679,287**

Primary Examiner — Abraham Bahta

(22) Filed: **Feb. 4, 2019**

(74) *Attorney, Agent, or Firm* — Morriss O'Bryant

(30) **Foreign Application Priority Data**

Compagni Cannon, PLLC

Aug. 3, 2018 (WO) DM/103 812

(51) **LOC (13) Cl.** **09-05**

(57) **CLAIM**

The ornamental design for a bag, as shown and described.

(52) **U.S. Cl.**

DESCRIPTION

USPC **D9/703**

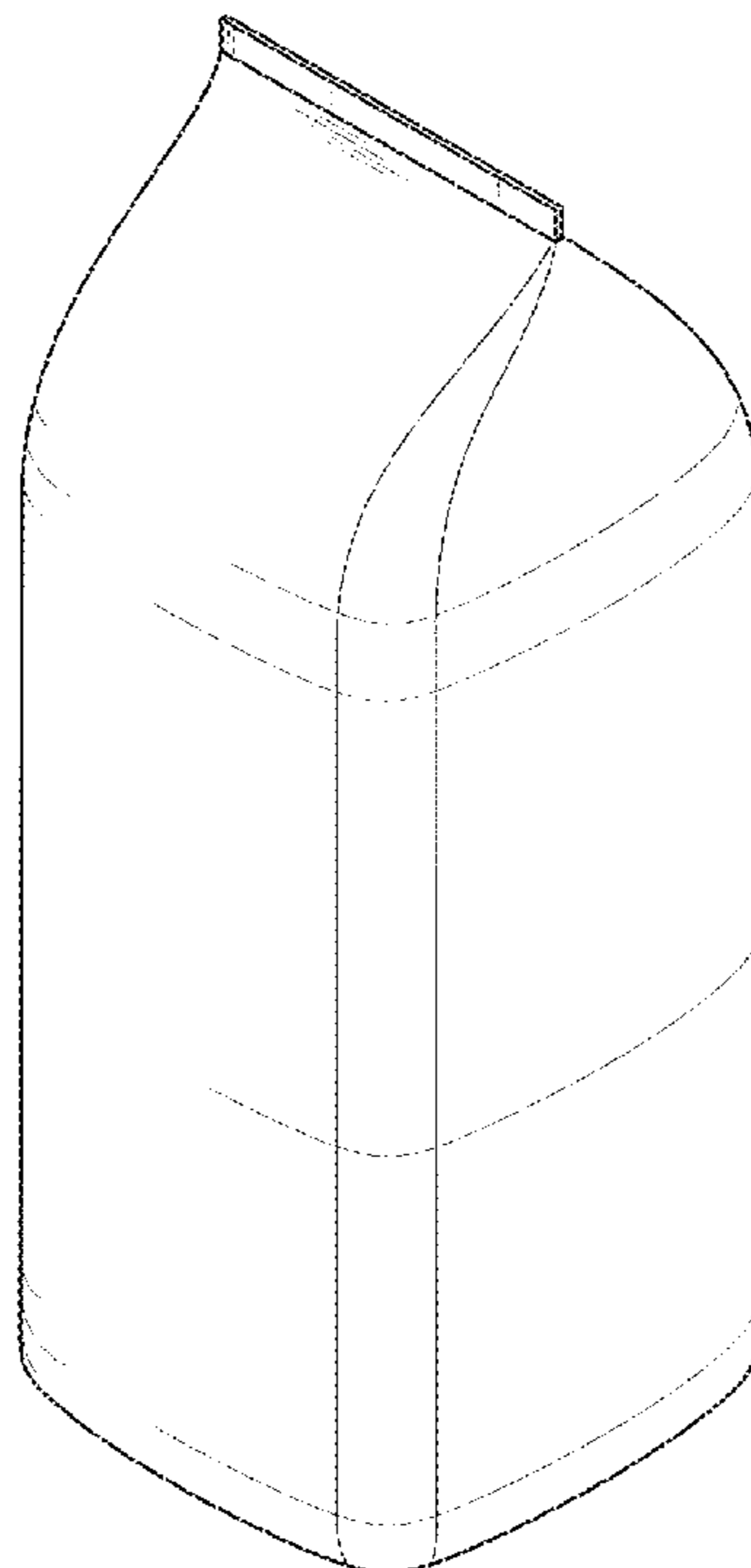
(58) **Field of Classification Search**

USPC D9/702-714, 720-722, 416-417, D9/695-696; D24/118-119, 207; 383/200, 207, 38, 208-209, 63, 61.1, 113, 383/6; 229/87.06, 87.03, 87.08; 426/106, 115, 119-120, 122, 410; 222/94, 107, 541.1, 92, 541.2; 206/811, 206/229, 484; 219/727; D3/201, 232, D3/240, 245; 150/107

FIG. 1 is a top-perspective view of the bag showing my new design;
FIG. 2 is a bottom view thereof;
FIG. 3 is a front view thereof;
FIG. 4 is a back view thereof;
FIG. 5 is a right side view thereof;
FIG. 6 is a left side view thereof;
FIG. 7 is a top view thereof; and,
FIG. 8 is a bottom view thereof.

CPC B65D 33/25; B65D 11/00; B65D 11/18; B65D 11/10; B65D 17/00; B65D 17/16;

1 Claim, 8 Drawing Sheets



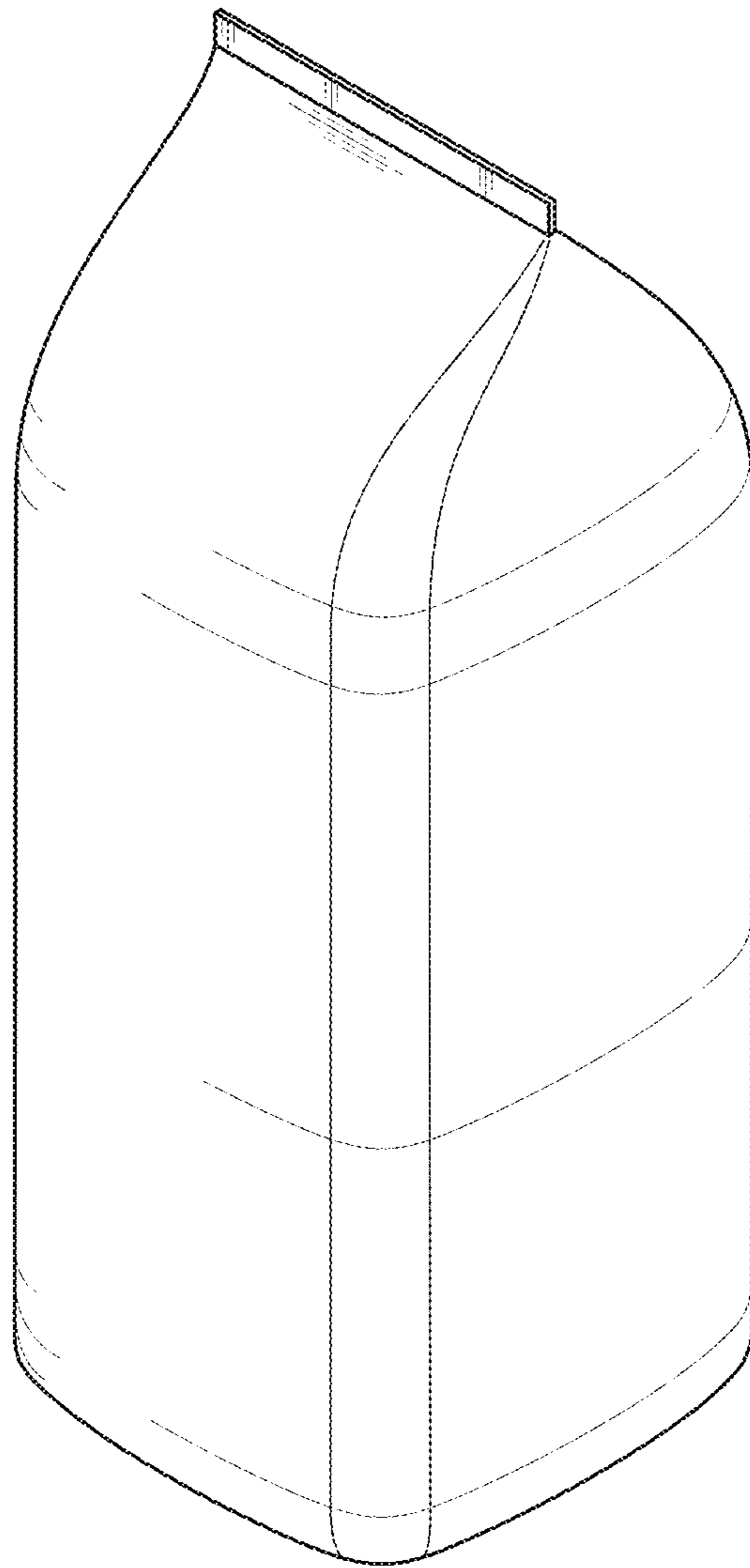


FIG. 1

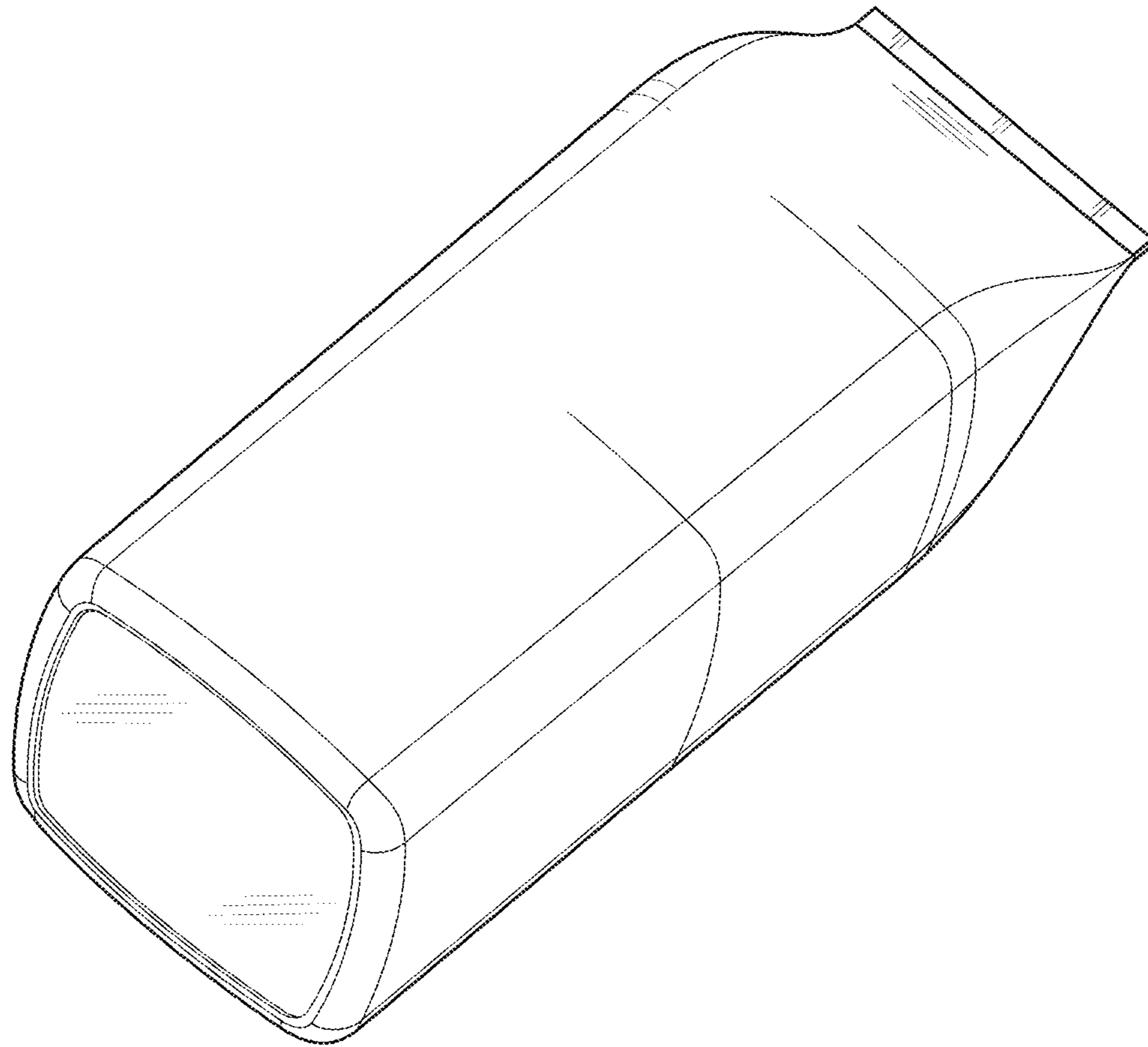


FIG. 2

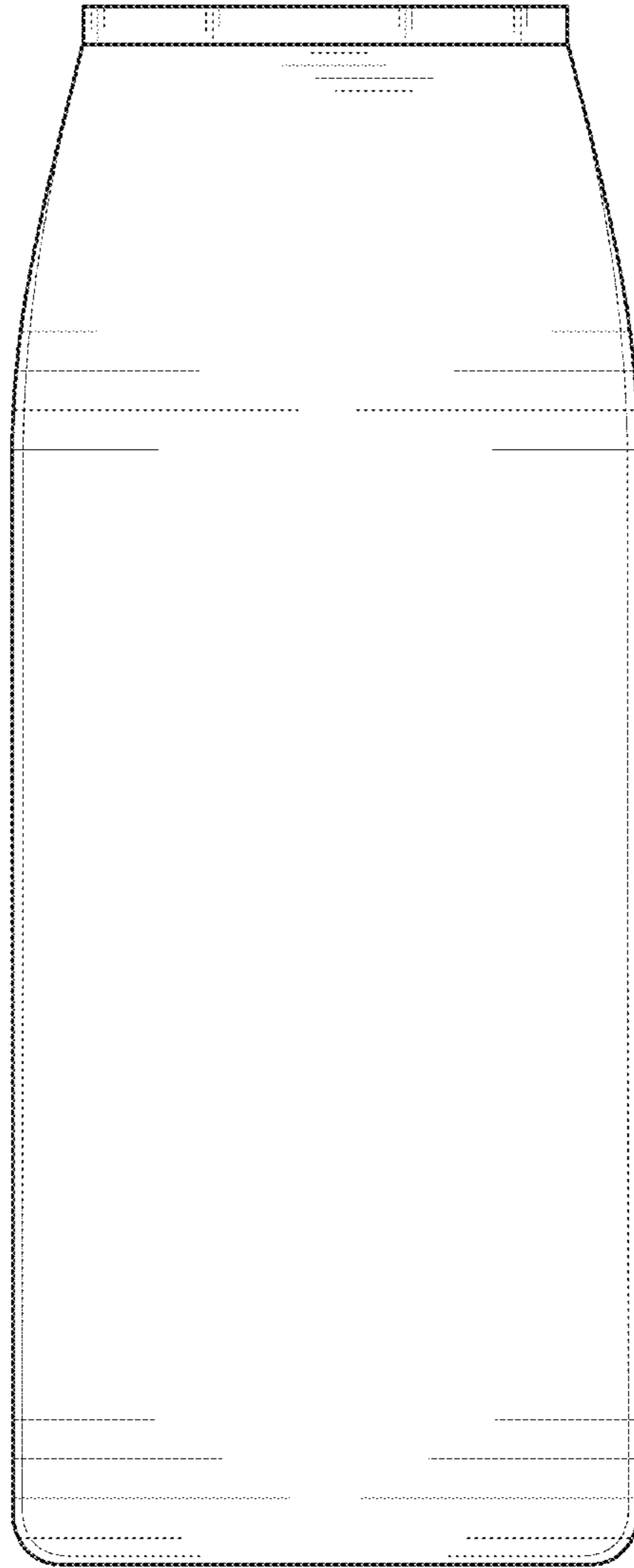


FIG. 3

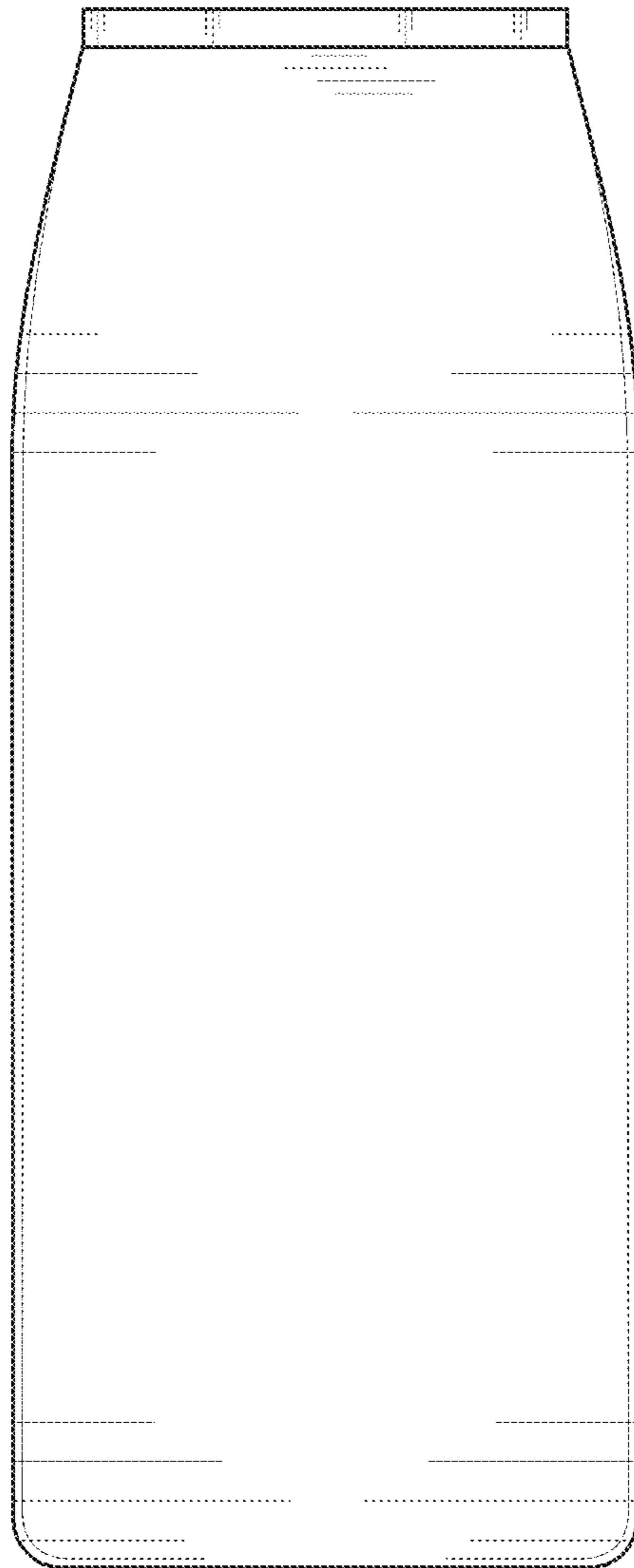


FIG. 4

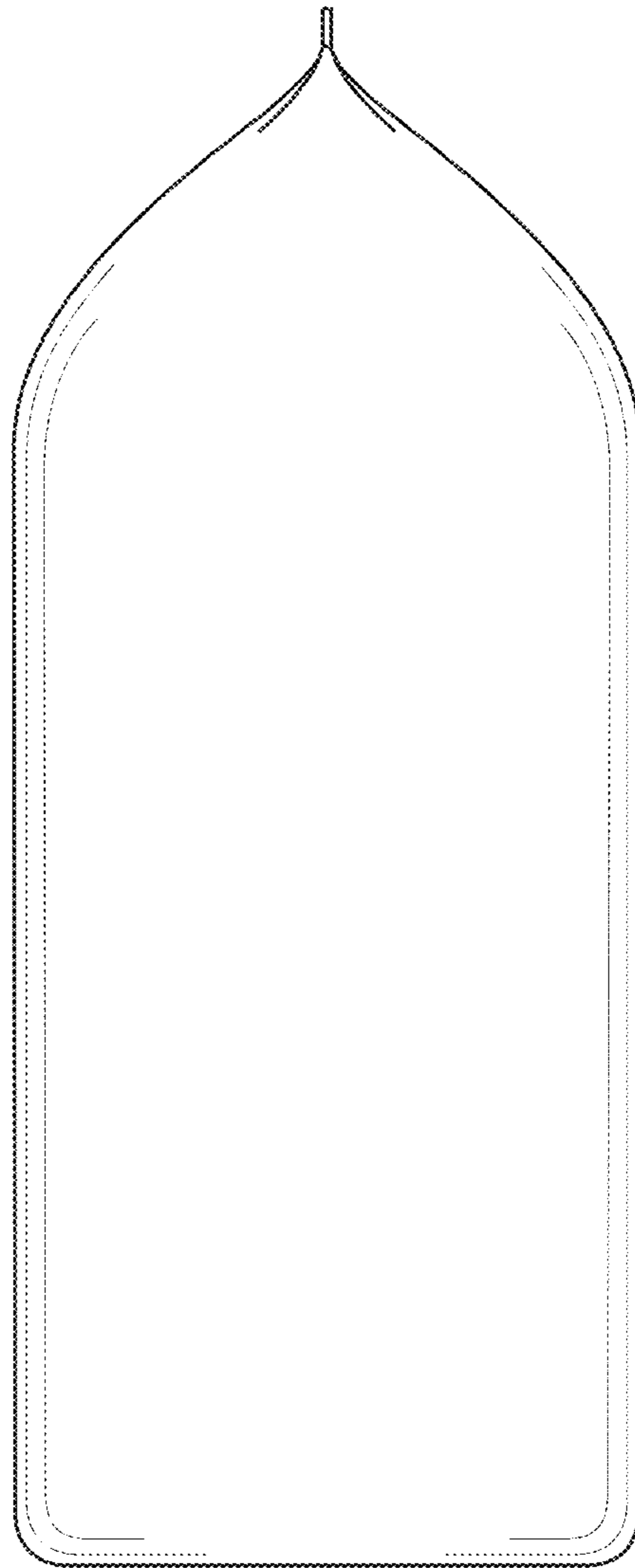


FIG. 5

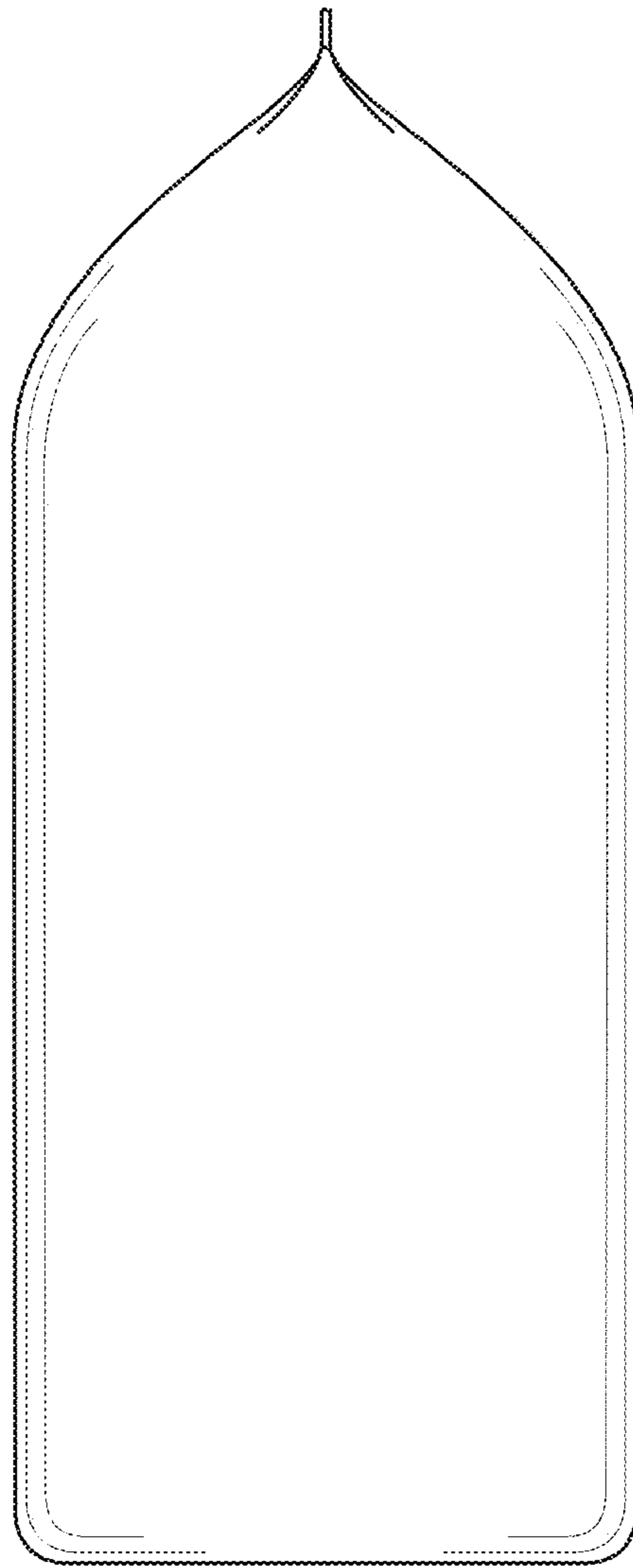


FIG. 6

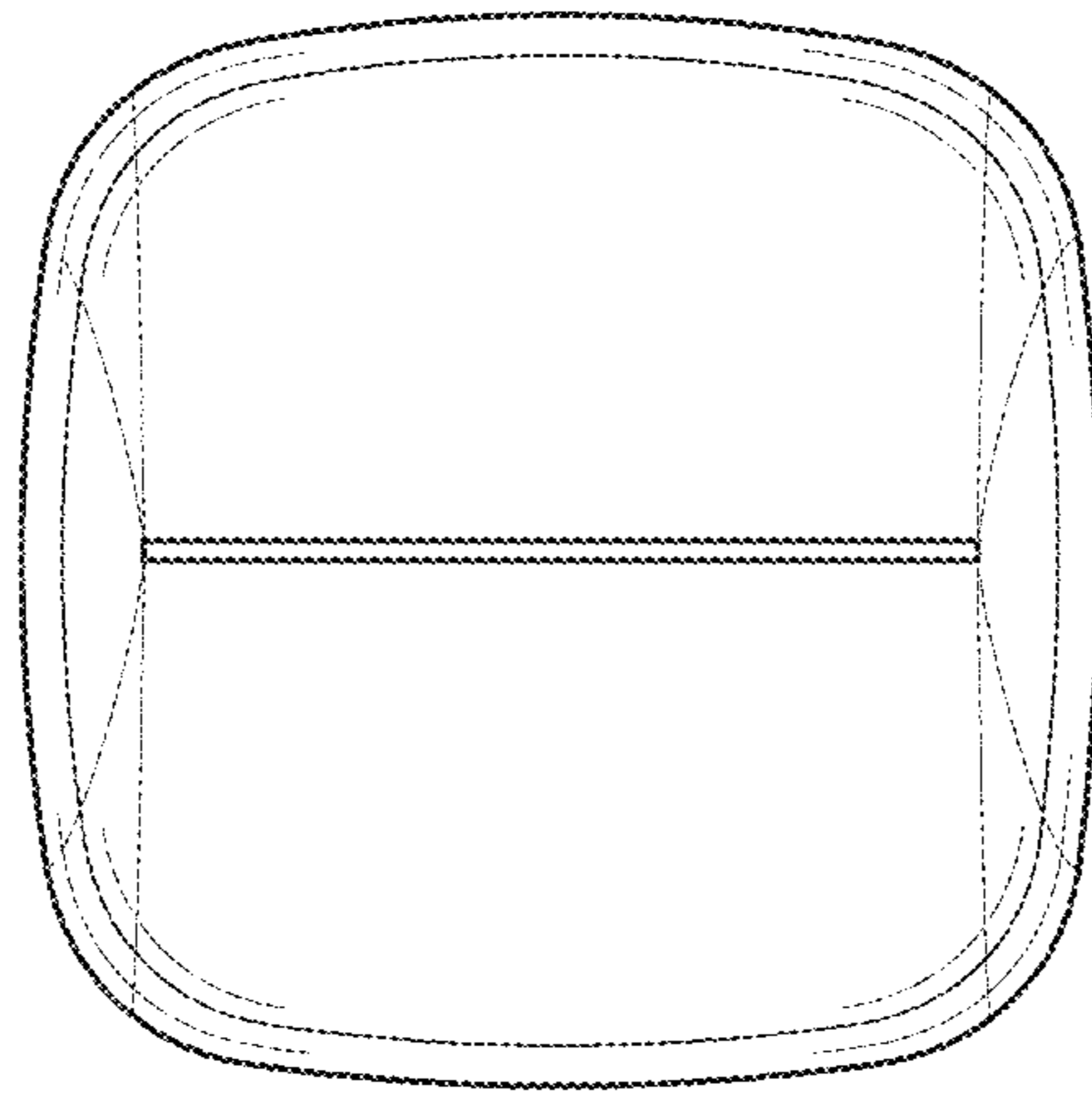


FIG. 7

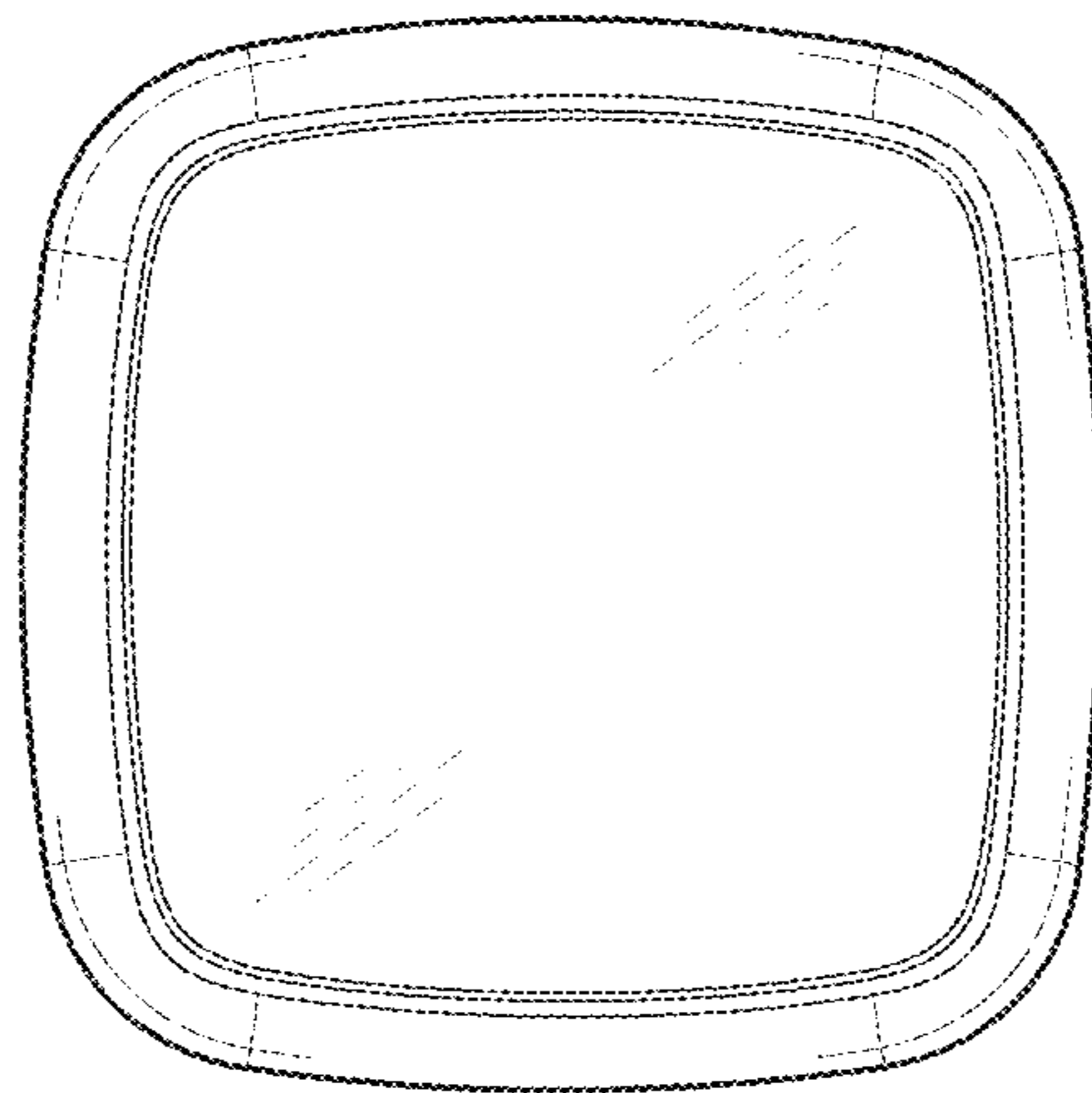


FIG. 8