



US00D906830S

(12) **United States Design Patent**
Caponegri et al.

(10) **Patent No.:** **US D906,830 S**

(45) **Date of Patent:** **** Jan. 5, 2021**

- (54) **FLASK**
- (71) Applicant: **Natura Cosméticos S.A.**, São Paulo (BR)
- (72) Inventors: **Rafael Aparecido Caponegri**, São Paulo (BR); **Fernanda Watanuki**, São Paulo (BR); **Anderson Silva Santos**, Rio de Janeiro (BR)
- (73) Assignee: **NATURA COSMÉTICOS S.A.**, São Paulo (BR)
- (**) Term: **15 Years**
- (21) Appl. No.: **29/673,004**
- (22) Filed: **Dec. 11, 2018**
- (30) **Foreign Application Priority Data**

- Jun. 18, 2018 (BR) 30 2018 002583-0
- (51) **LOC (13) Cl.** **09-01**
- (52) **U.S. Cl.**
USPC **D9/687**
- (58) **Field of Classification Search**
USPC D9/682-694, 516, 517, 529, 560, 572, D9/448
CPC B05B 11/3052; B05B 11/0027; B05B 11/0037; B05B 15/30; B65D 83/205; B65D 83/22
See application file for complete search history.

- (56) **References Cited**
U.S. PATENT DOCUMENTS
- 4,371,087 A * 2/1983 Saujet A45D 34/02 215/12.1
- D270,864 S * 10/1983 Martinez D28/5
- D271,245 S * 11/1983 Martinez D28/5
- 4,662,541 A * 5/1987 Fossati A45D 34/02 222/135

- D290,341 S * 6/1987 Durand D9/544
- 5,169,029 A * 12/1992 Behar B05B 11/3084 128/200.23
- D352,891 S * 11/1994 Lalique D9/544
- 5,927,548 A * 7/1999 Villaveces A45F 5/02 222/175
- D437,232 S * 2/2001 Jones D9/435
- 6,349,855 B1 * 2/2002 Borri A45D 34/02 222/182
- D463,264 S * 9/2002 De Baschmakoff D9/687
- D466,403 S * 12/2002 Haas D9/687
- D531,049 S * 10/2006 De France D9/686
- D546,192 S * 7/2007 Faillant Dumas D9/571
- D593,420 S * 6/2009 Augenbraun D9/529
- D653,847 S * 2/2012 Seals D3/202
- D680,004 S * 4/2013 Lecetre D9/544
- D715,155 S * 10/2014 Meyers D9/687
- D717,176 S * 11/2014 Gomez D9/544
- D718,044 S * 11/2014 Vargo D3/202

(Continued)

Primary Examiner — Steven J Czyz
(74) *Attorney, Agent, or Firm* — Alston & Bird LLP

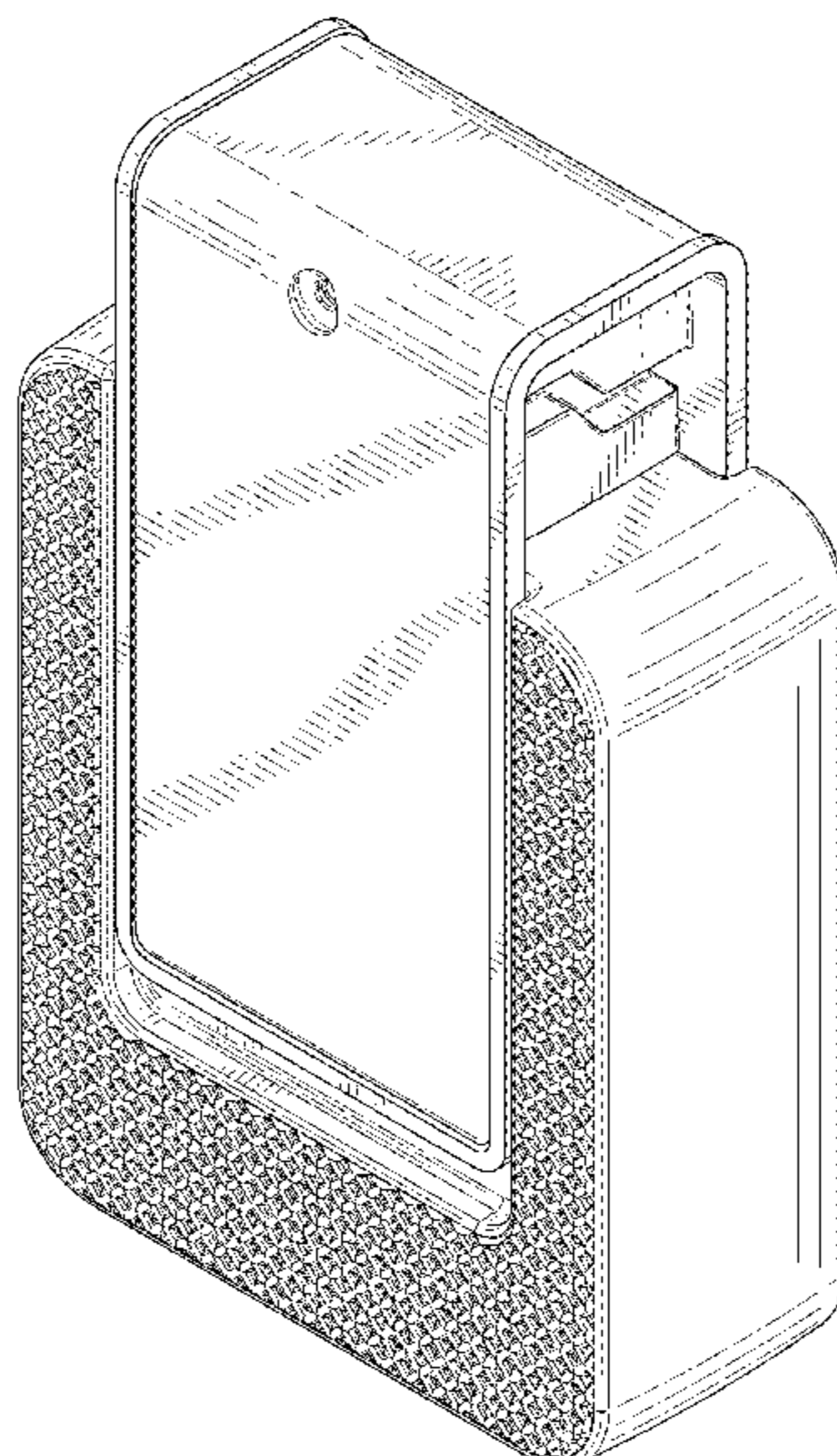
(57) **CLAIM**

The ornamental design for a flask, as shown and described.

DESCRIPTION

FIG. 1 is a front perspective view of a flask showing our new design;
FIG. 2 is a front view thereof;
FIG. 3 is a rear view thereof;
FIG. 4 is a right side view thereof;
FIG. 5 is a top view thereof;
FIG. 6 is a bottom view thereof; and,
FIG. 7 is a left side view thereof.
The dash-dot-dash broken lines of FIGS. 4 and 7 represent boundaries of the claimed design. All other broken lines illustrate portions of the flask that form no part of the claimed design.

1 Claim, 5 Drawing Sheets



(56)

References Cited

U.S. PATENT DOCUMENTS

D720,620 S * 1/2015 Gerard D9/522
D730,317 S * 5/2015 Silvera D14/207
D741,723 S * 10/2015 Staab D9/687
D742,240 S * 11/2015 Santos D9/544
D746,261 S * 12/2015 Silvera D14/207
D751,910 S * 3/2016 Saboia D9/521
D755,631 S * 5/2016 Mather D28/91.1
D760,528 S * 7/2016 Szekely D9/563
D775,530 S * 1/2017 Gayner D9/563
D776,547 S * 1/2017 Schroeder D6/542
D786,017 S * 5/2017 Obatake D7/509
D812,894 S * 3/2018 Hume D3/202
D826,548 S * 8/2018 Hume D3/202
D833,079 S * 11/2018 Fang D28/91.1
D834,945 S * 12/2018 LaPorte D9/687
D836,904 S * 1/2019 Arman D3/202
D846,406 S * 4/2019 Caponegri D9/694
D846,996 S * 4/2019 LaPorte D9/687
D846,997 S * 4/2019 Silva D9/687
D854,272 S * 7/2019 Compton D34/2
D856,156 S * 8/2019 De Lataillade D9/687
10,421,091 B2 * 9/2019 Caponegri B05B 11/0037
2004/0076462 A1 * 4/2004 Grandmottet A45D 34/02
401/55
2008/0023575 A1 * 1/2008 Trumble B05B 11/0038
222/135
2009/0032550 A1 * 2/2009 Touron B65D 83/75
222/39
2009/0057331 A1 * 3/2009 Fryan A47K 10/32
221/96
2011/0289890 A1 * 12/2011 Floyd B65D 83/205
53/492
2018/0133734 A1 * 5/2018 Caponegri B05B 11/0027

* cited by examiner

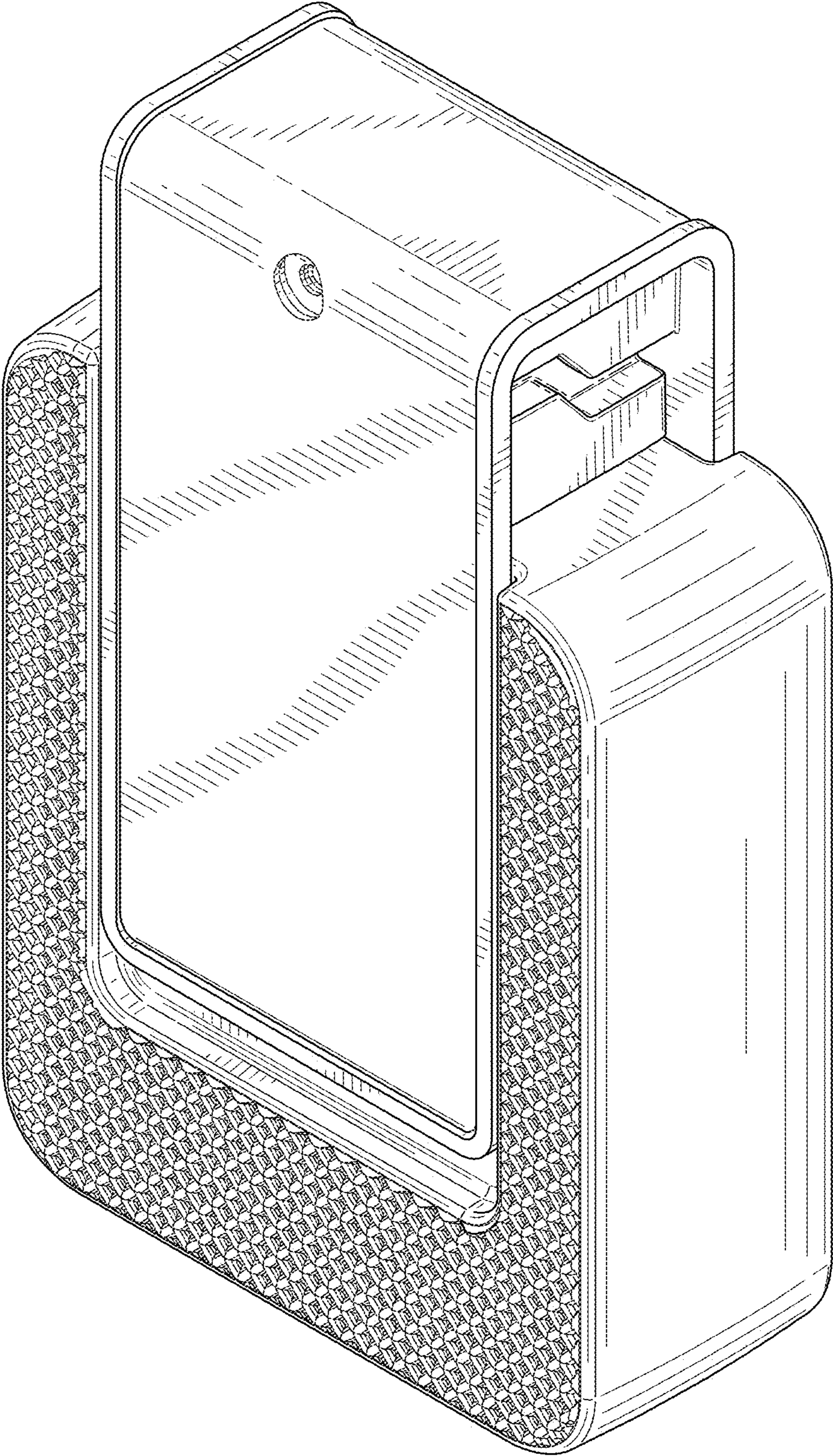


FIG. 1

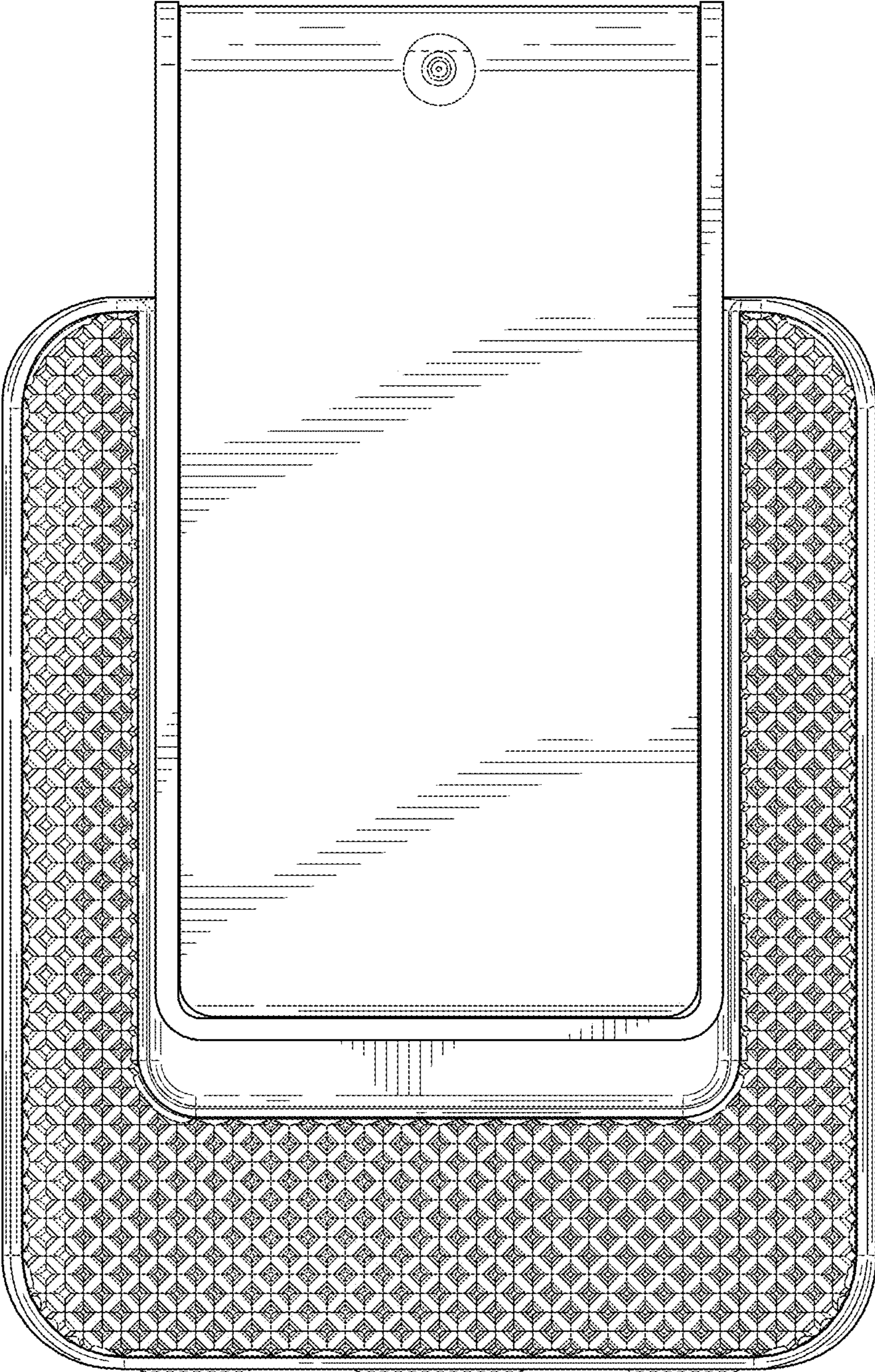


FIG. 2

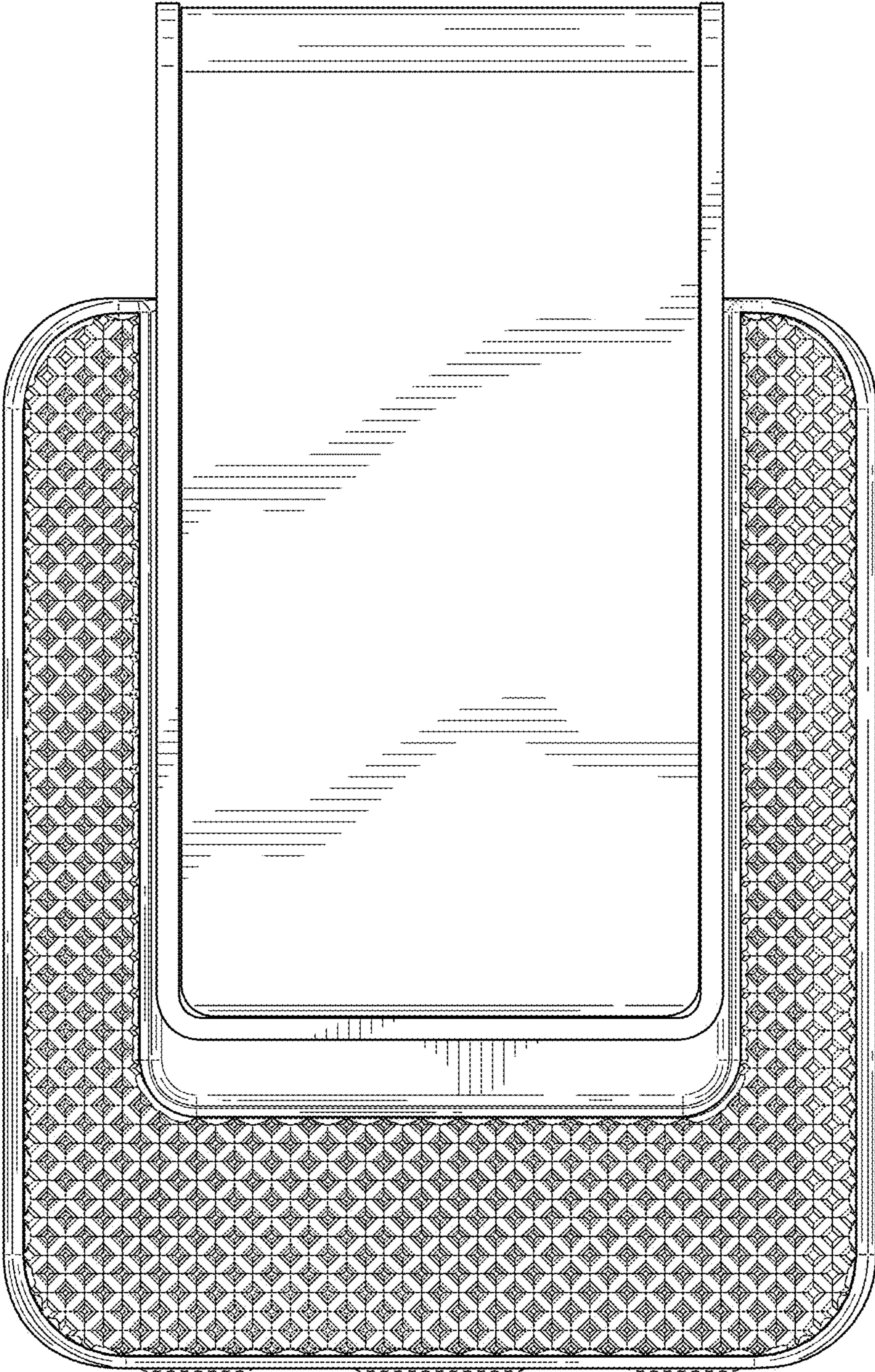


FIG. 3

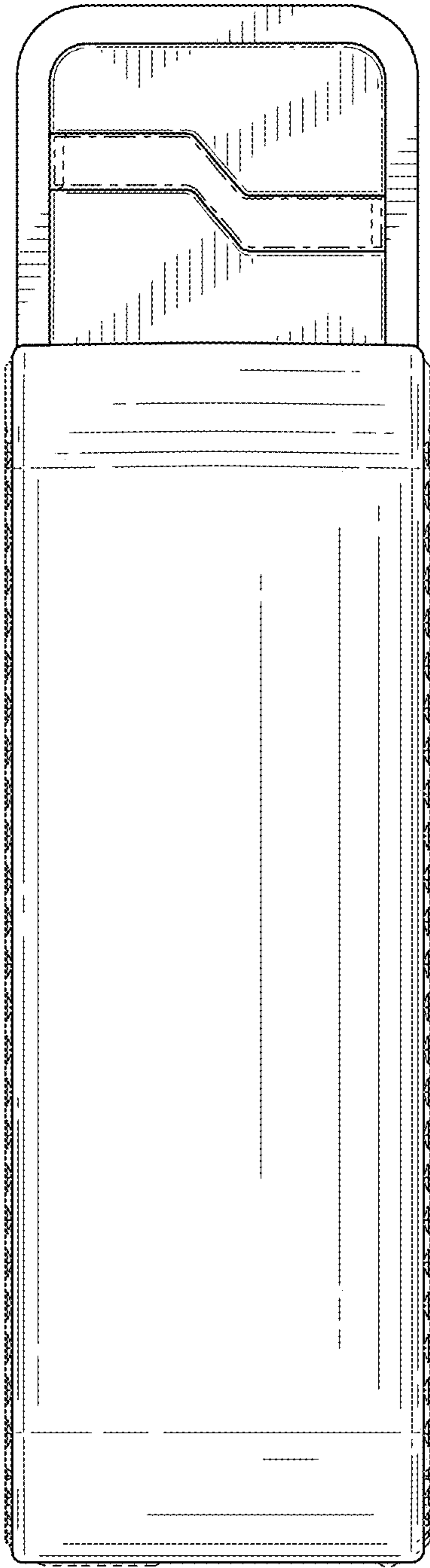


FIG. 4

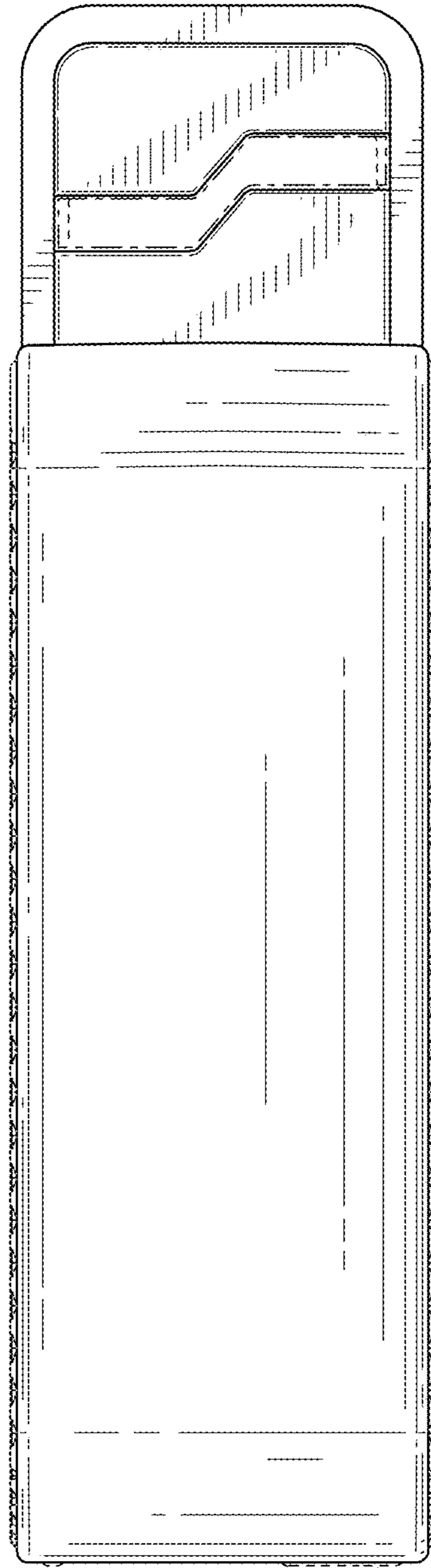


FIG. 7

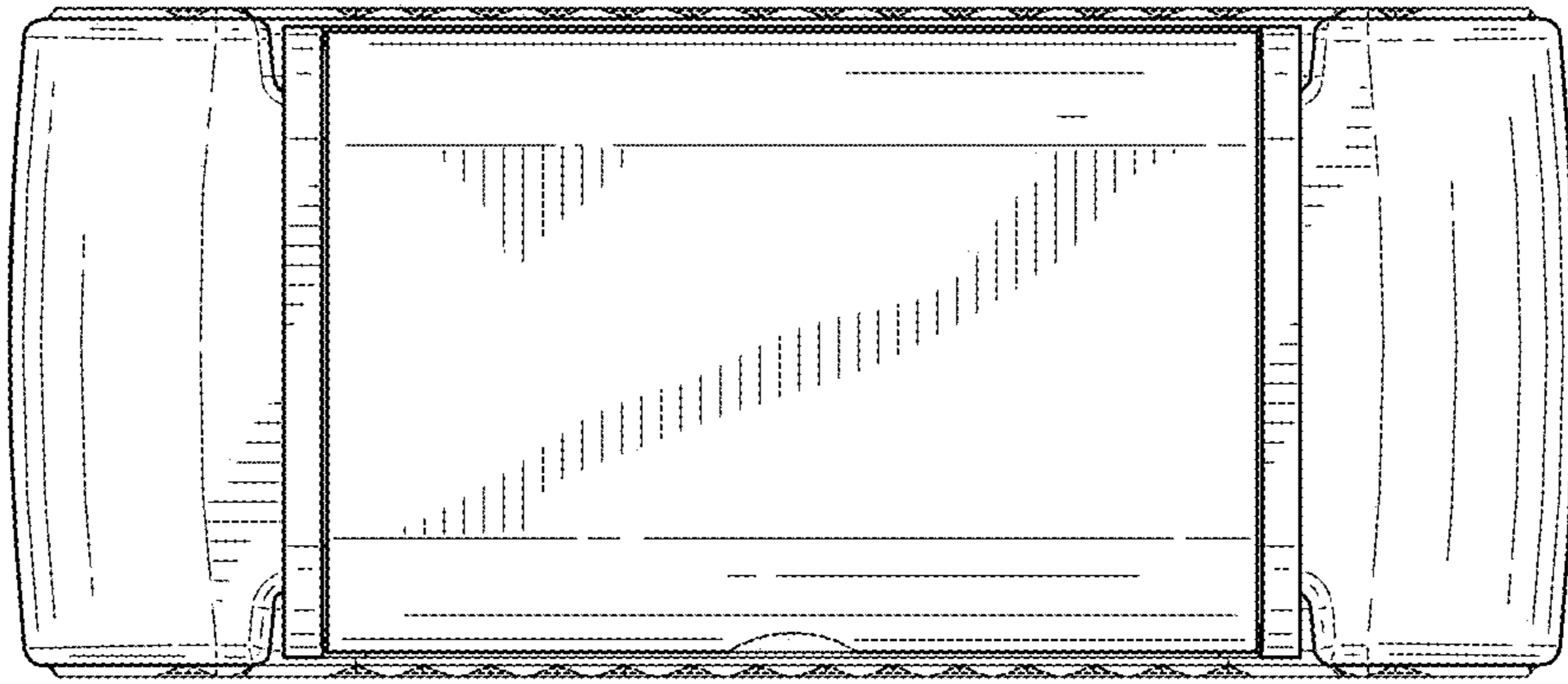


FIG. 5

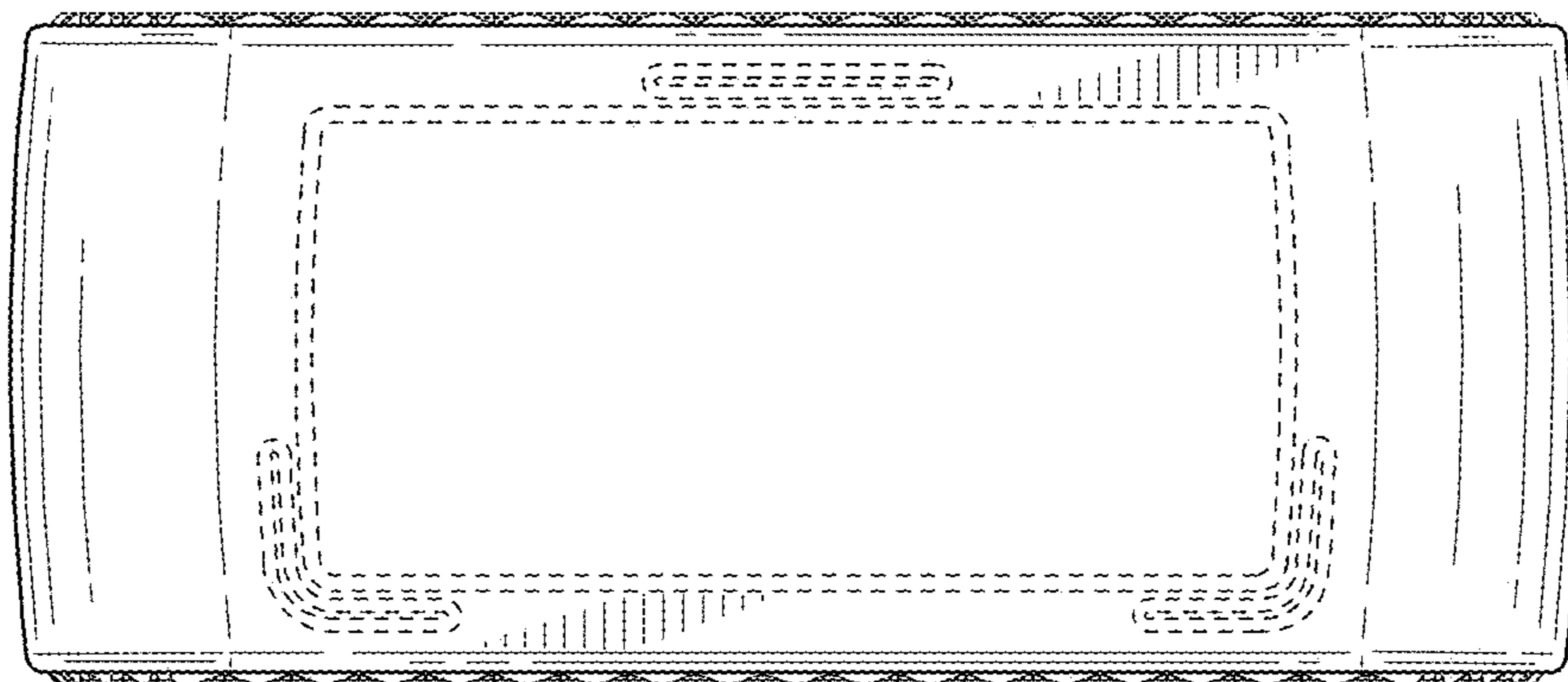


FIG. 6