



US00D906828S

(12) **United States Design Patent** (10) **Patent No.:** **US D906,828 S**
Franco (45) **Date of Patent:** **** Jan. 5, 2021**

(54) **BOTTLE**

(71) Applicant: **Abraham Franco**, North Miami Beach, FL (US)

(72) Inventor: **Abraham Franco**, North Miami Beach, FL (US)

(**) Term: **15 Years**

(21) Appl. No.: **29/683,767**

(22) Filed: **Mar. 15, 2019**

(51) **LOC (13) Cl.** **09-01**

(52) **U.S. Cl.**
USPC **D9/649**; D9/544; D9/575

(58) **Field of Classification Search**
USPC D3/202, 270, 271.1–271.4; D7/301–303, D7/509–511, 514–521, 529, 594, 599, D7/604, 613, 619.2, 623, 628; D9/600, D9/649, 667, 500–516, 520, 523, 528, D9/544–546, 562, 572–575; 206/457, 206/459.5, 527; 215/381–384, 400; D11/44, 48, 62, 81
CPC B65D 5/42; B65D 5/4258; B65D 81/60; B65D 81/365; B65D 81/366; B65D 81/368; B65D 2203/00; B65D 2203/02; B65D 5/4208; B65D 77/00; B65D 67/00; A63H 33/16

See application file for complete search history.

(56) **References Cited**

U.S. PATENT DOCUMENTS

D39,111 S *	2/1908	Jacobs	D11/62
D172,316 S *	5/1954	Sanford	D9/649
D303,213 S *	9/1989	Mansau	D9/544
D334,138 S *	3/1993	Larsen	D9/649
D713,733 S *	9/2014	Ford	D9/649
D798,162 S *	9/2017	Hatellari	D9/649

* cited by examiner

Primary Examiner — Sandra L Morris

(74) *Attorney, Agent, or Firm* — Dunlap Bennett & Ludwig, PLLC; Brendan E. Squire

(57) **CLAIM**

The ornamental design for a bottle, as shown and described.

DESCRIPTION

FIG. 1 is a front elevation view of a bottle showing my new design;
FIG. 2 is a front perspective view thereof;
FIG. 3 is a rear elevation view thereof;
FIG. 4 is a ¾ perspective view thereof;
FIG. 5 is a top plan view thereof;
FIG. 6 is a bottom plan view thereof;
FIG. 7 is a left side elevation view thereof; and,
FIG. 8 is a right side elevation view thereof.

1 Claim, 8 Drawing Sheets

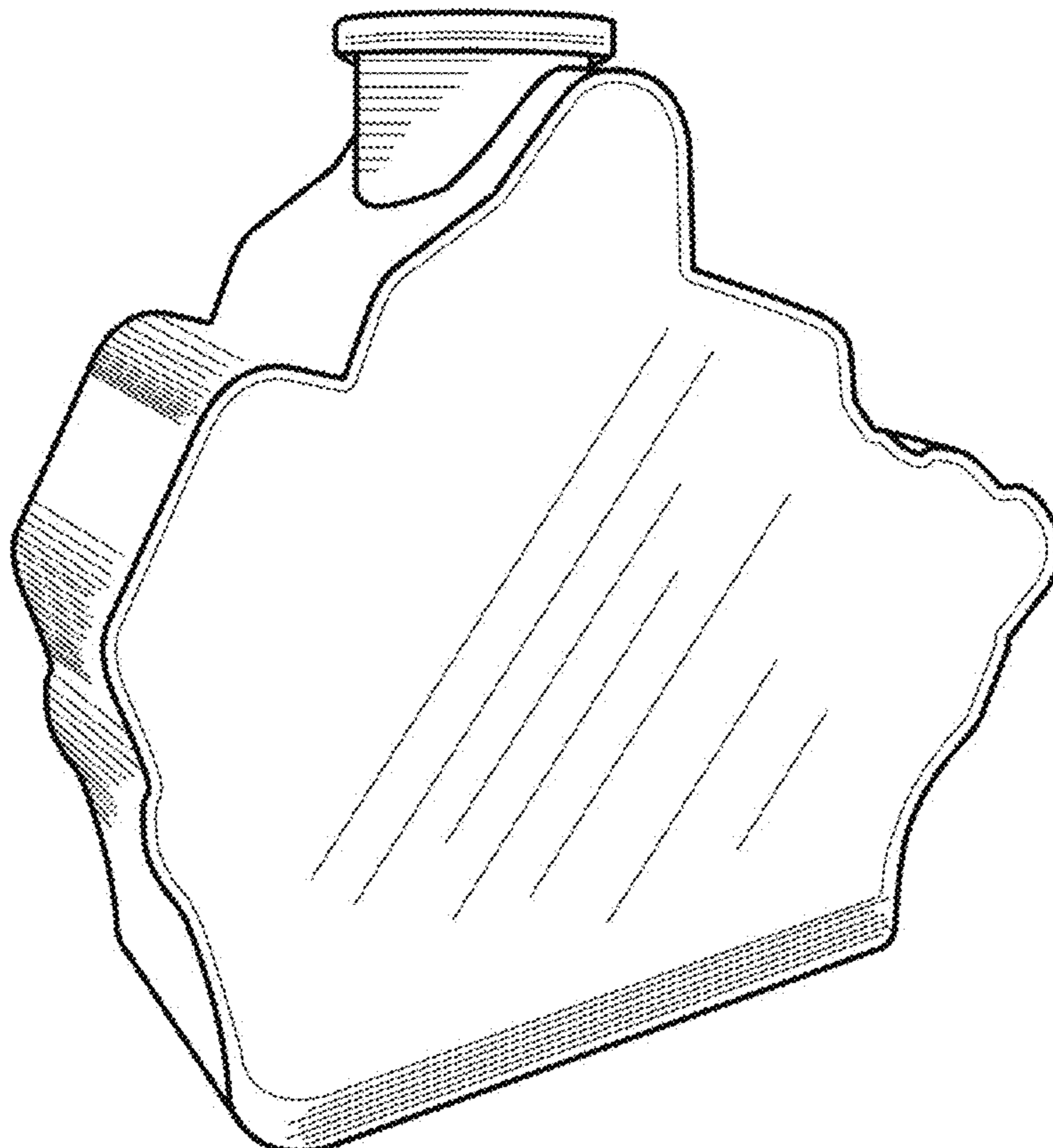


Fig. 1

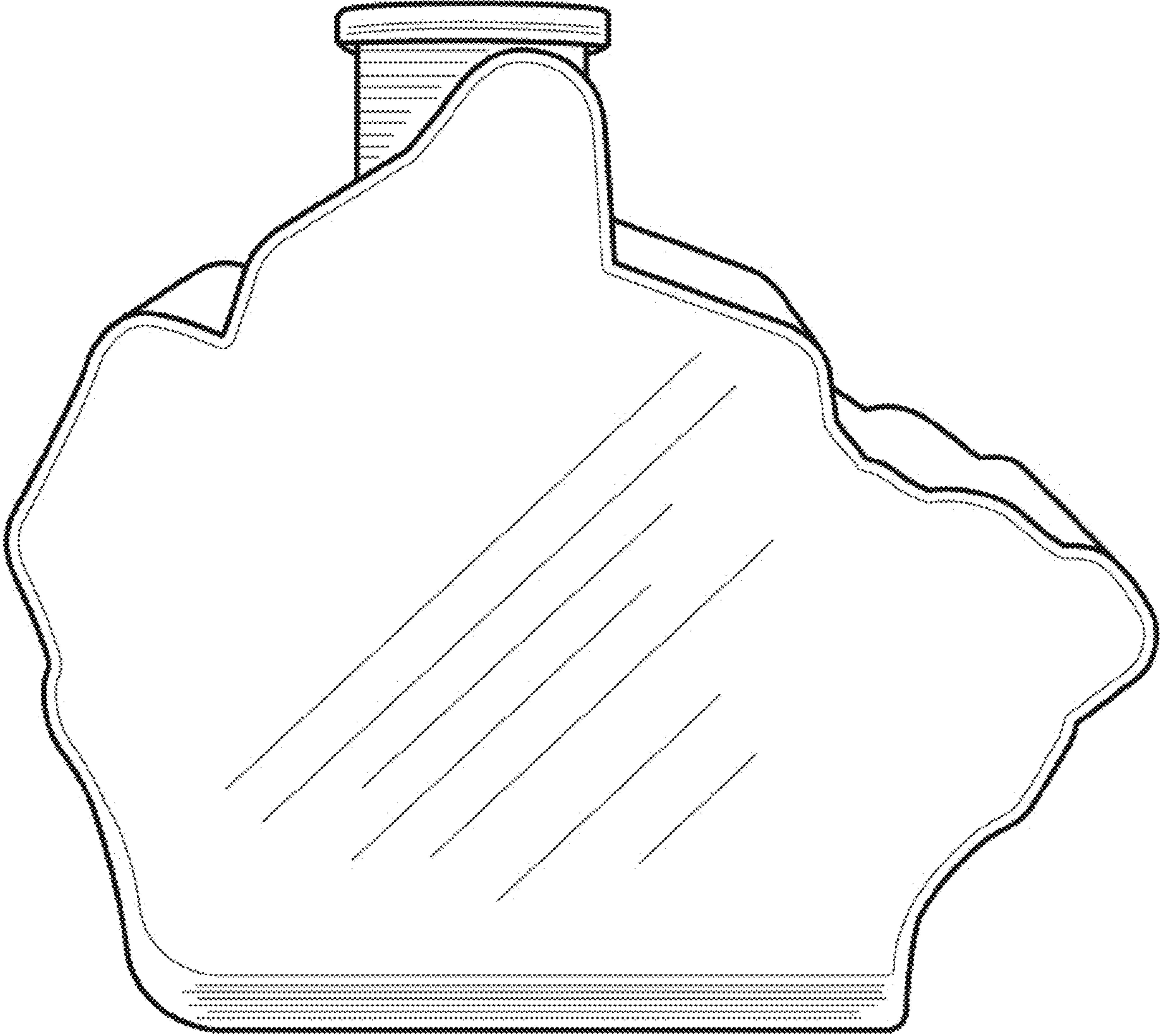


Fig. 2

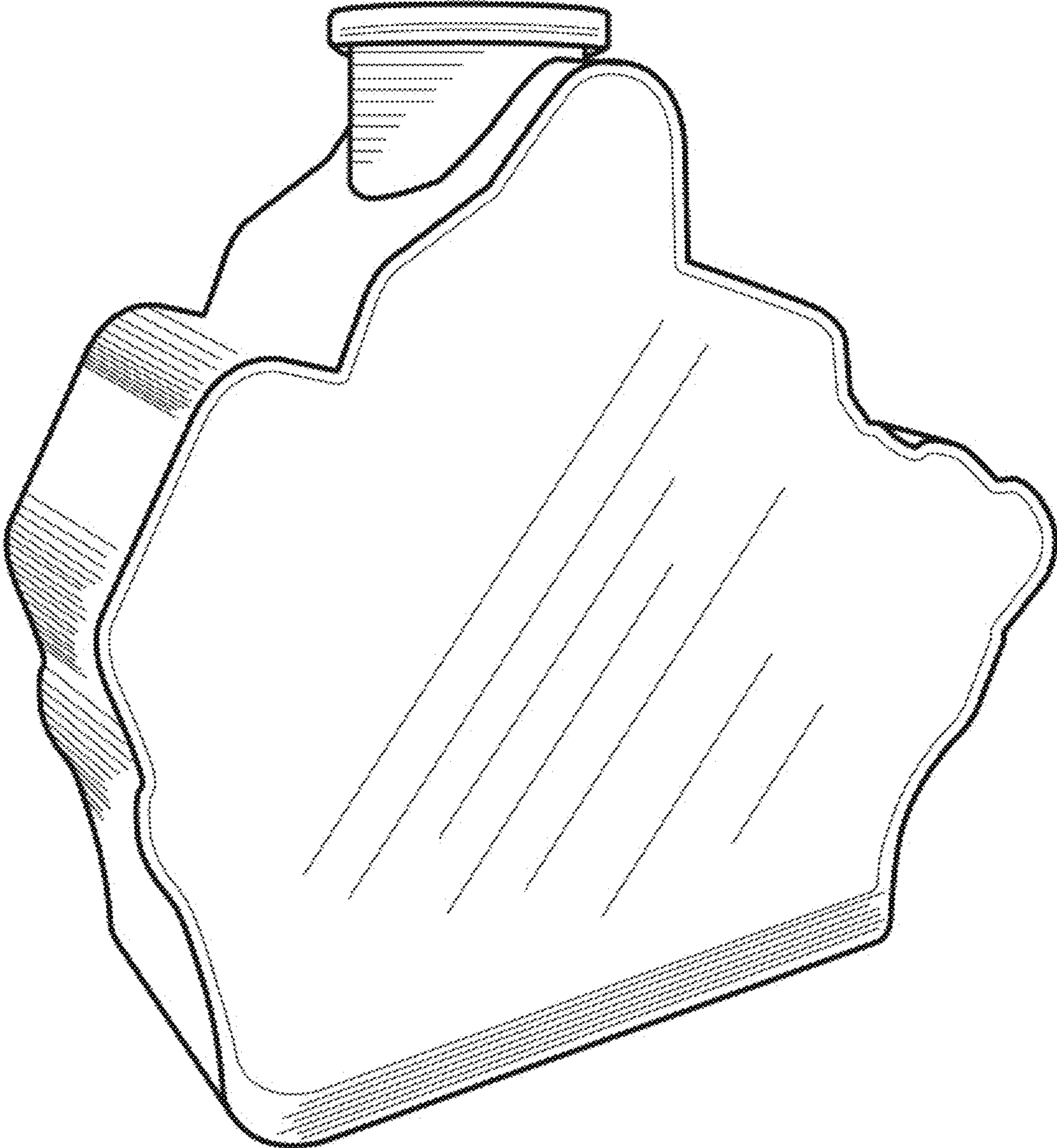


Fig. 3

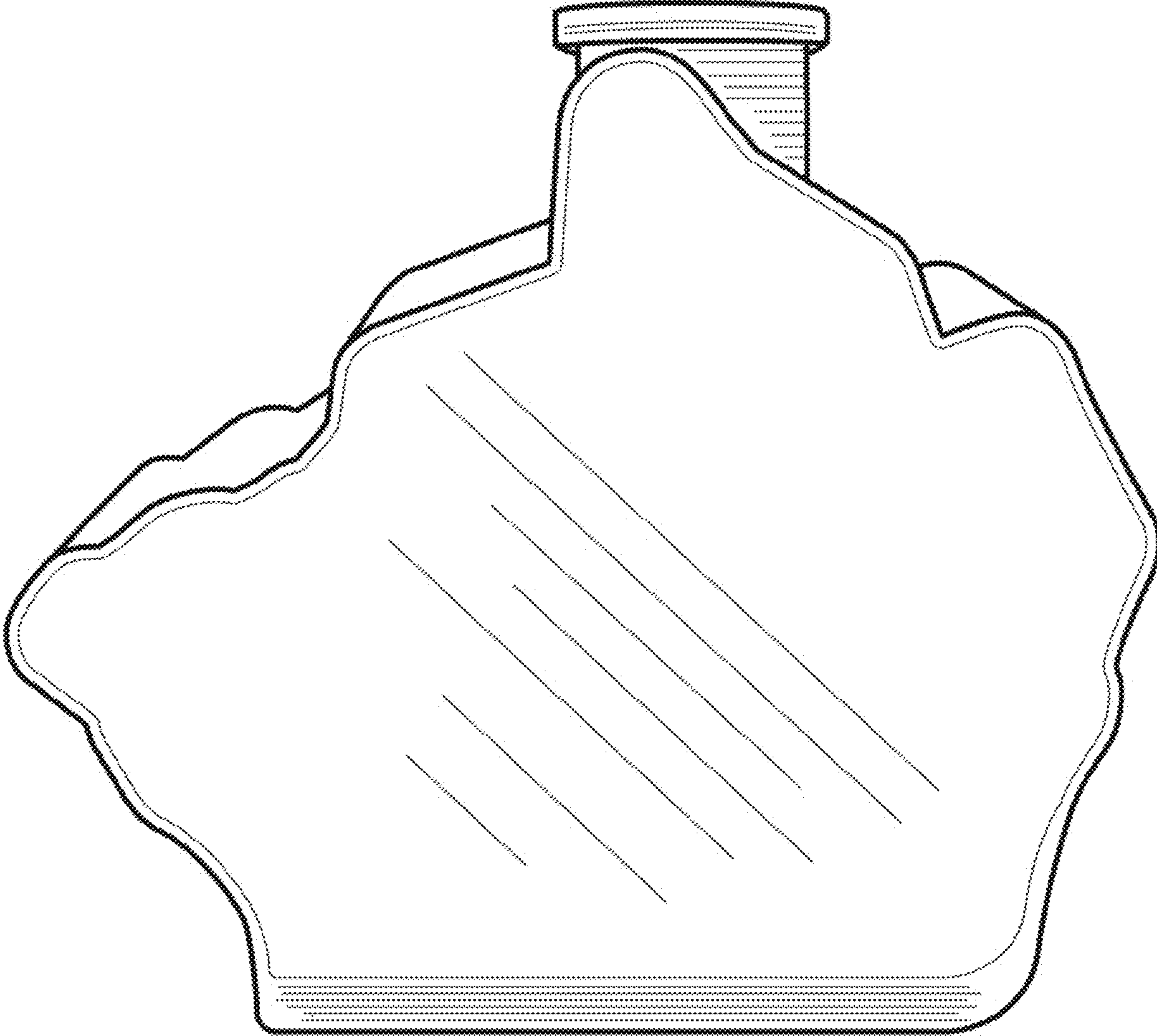


Fig. 4

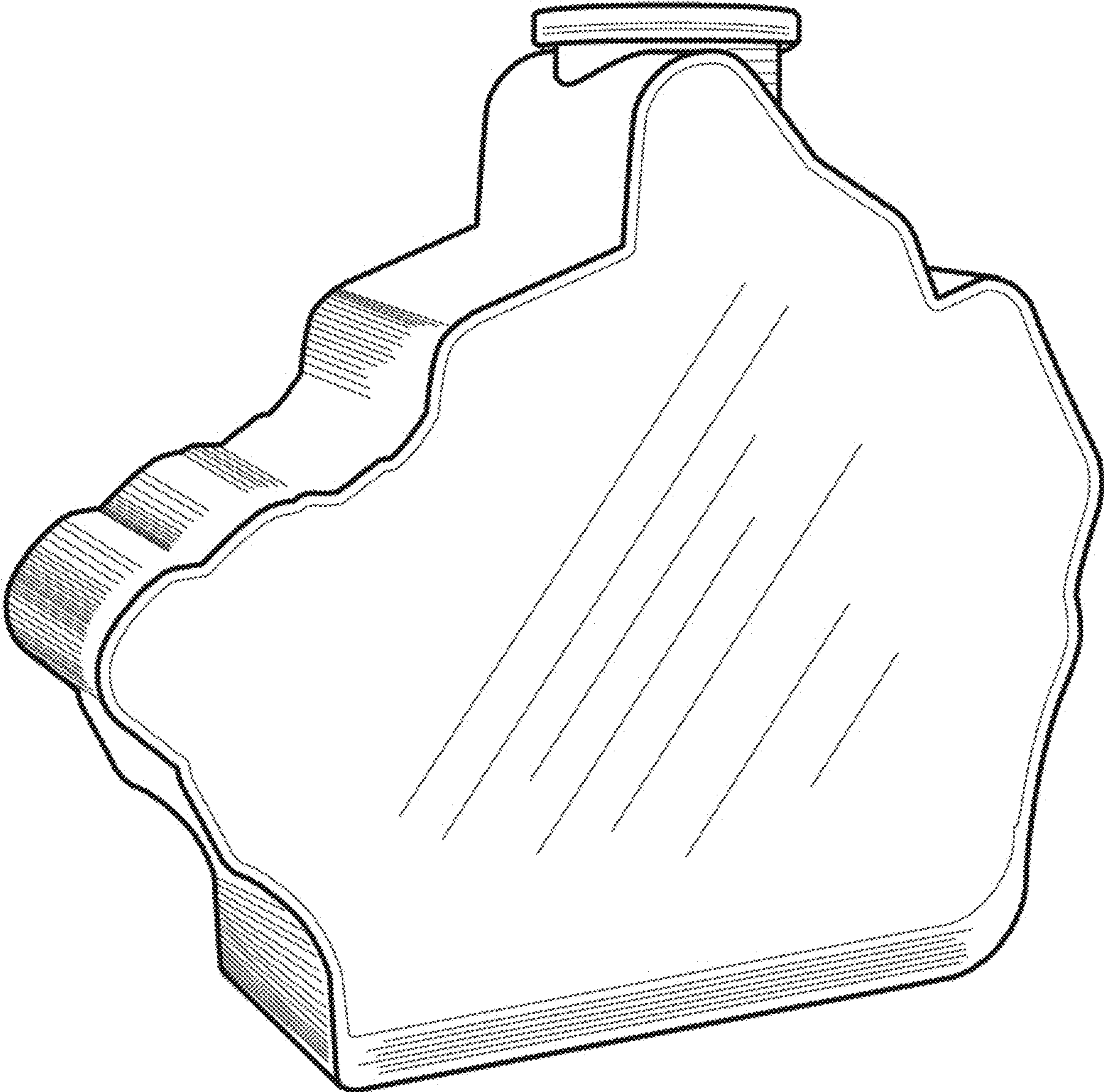


Fig. 5

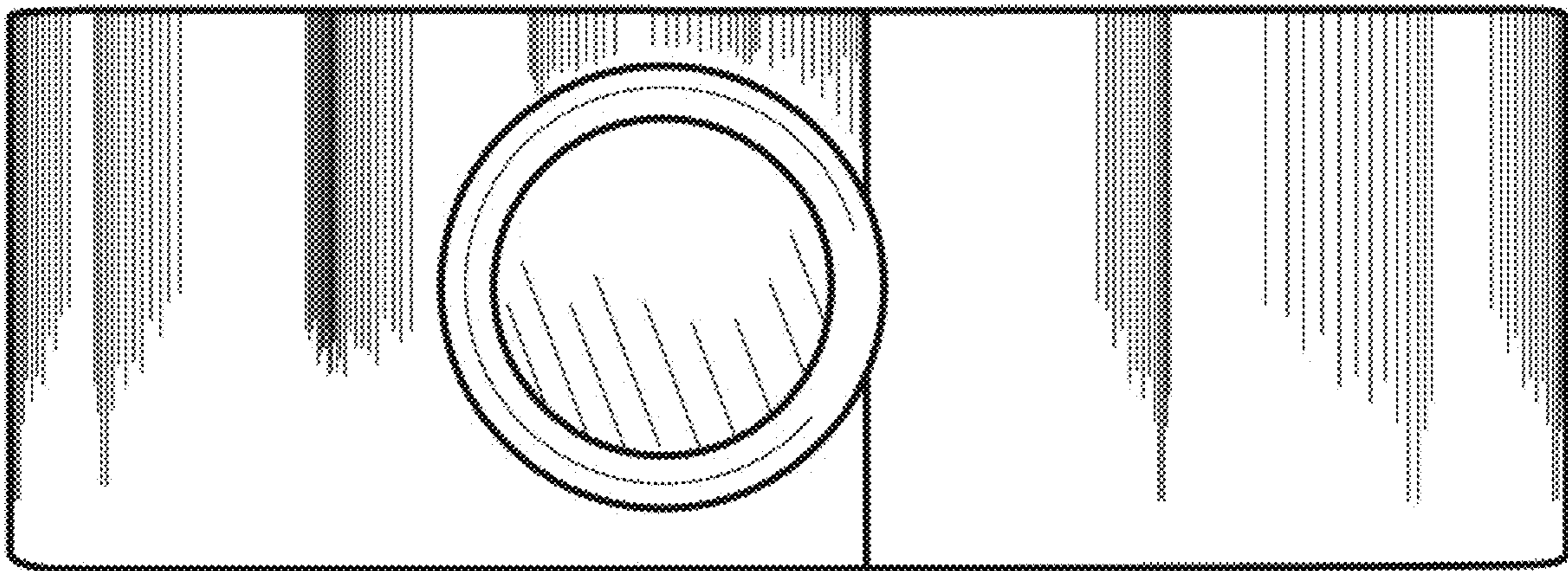


Fig. 6

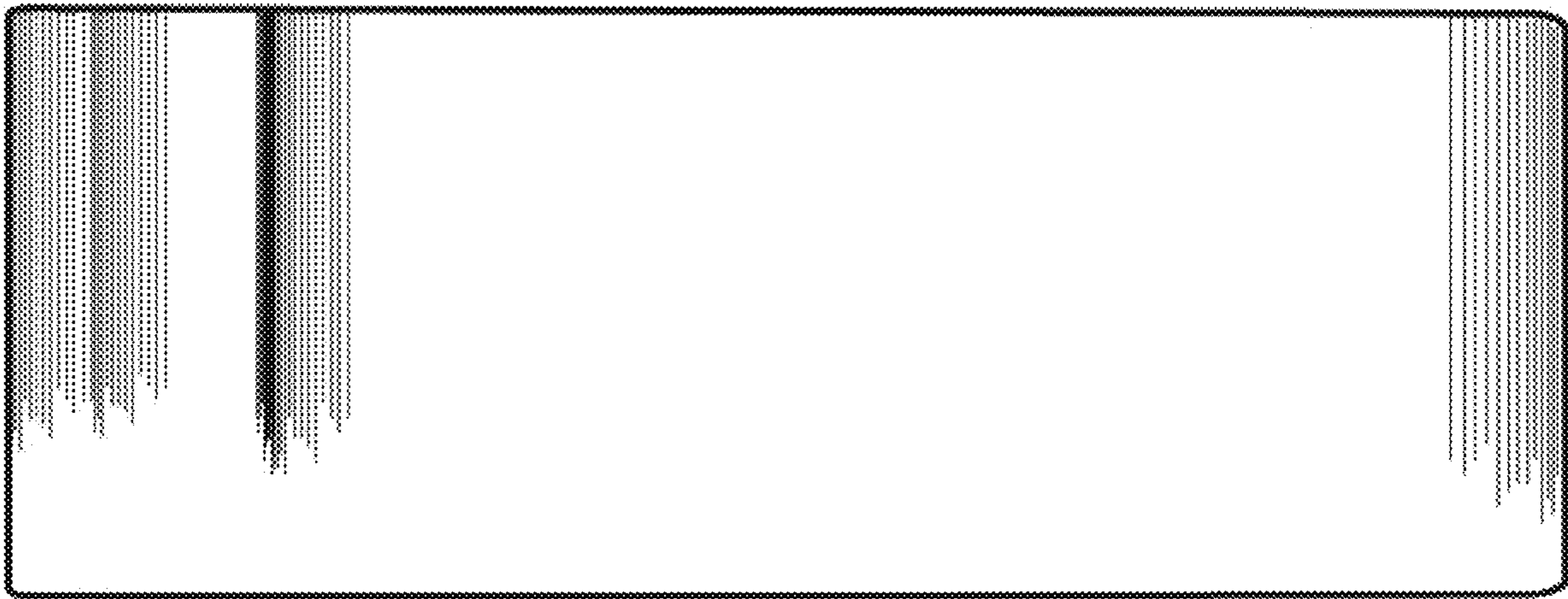


Fig. 7

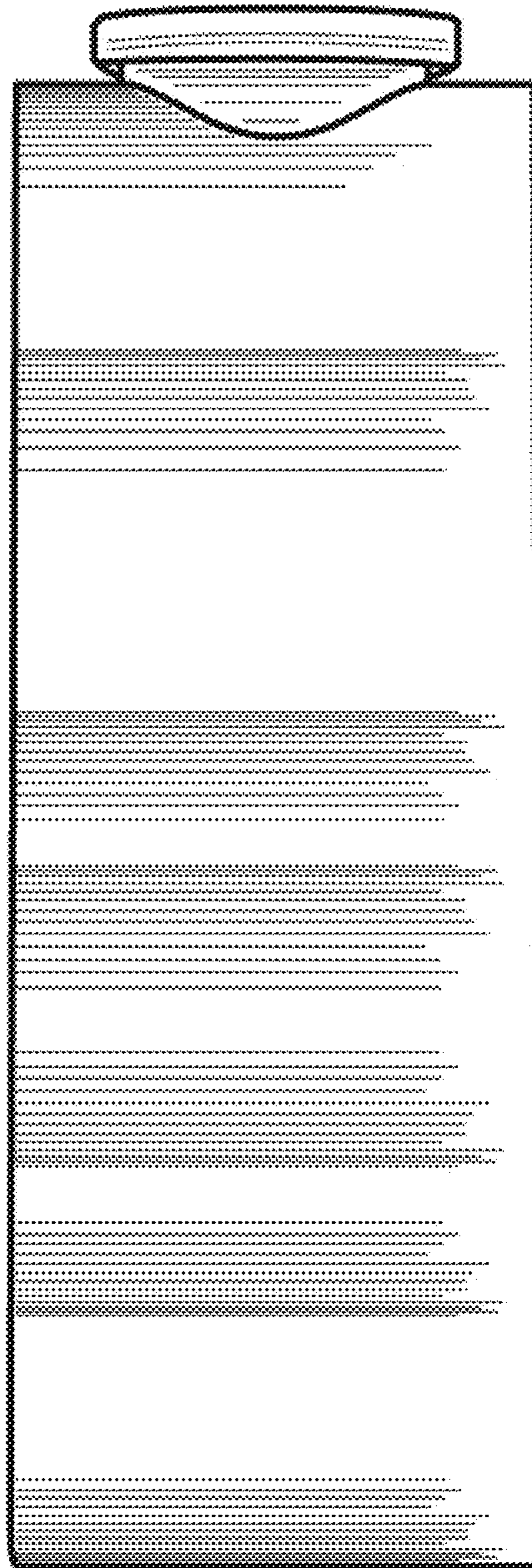


Fig. 8

