



US00D906823S

(12) **United States Design Patent** (10) **Patent No.:** **US D906,823 S**
Larsonneur (45) **Date of Patent:** **** Jan. 5, 2021**

(54) **PERFUME BOTTLE**

(56) **References Cited**

(71) Applicant: **POCHET DU COURVAL**, Clichy (FR)

U.S. PATENT DOCUMENTS

(72) Inventor: **Gwenaelle Larsonneur**, Grisy-Suisnes (FR)

D362,187 S *	9/1995	Thompson	D9/500
D428,579 S *	7/2000	Waitzenegger	D9/544
D562,143 S *	2/2008	Didier	D9/544
D601,033 S *	9/2009	Rica	D9/544
D696,955 S *	1/2014	Kelly	D9/522
D724,437 S *	3/2015	Gaydon	D9/558
D727,162 S *	4/2015	Gaydon	D9/573
D741,189 S *	10/2015	Gaydon	D9/544
D797,566 S *	9/2017	Horne	D9/545
D830,186 S *	10/2018	Thompson	D9/558

(**) Term: **15 Years**

(21) Appl. No.: **35/508,033**

* cited by examiner

(22) Filed: **Jul. 26, 2019**

(80) **Hague Agreement Data**

Primary Examiner — George D. Kirschbaum
Assistant Examiner — Joseph J Kukella

Int. Filing Date: **Jul. 26, 2019**

Int. Reg. No.: **DM/204362**

Int. Reg. Date: **Jul. 26, 2019**

Int. Reg. Pub. Date: **Dec. 6, 2019**

(57) **CLAIM**

The ornamental design for perfume bottle, as shown and described.

(51) **LOC (13) Cl.** **09-01**

(52) **U.S. Cl.**
USPC **D9/545**

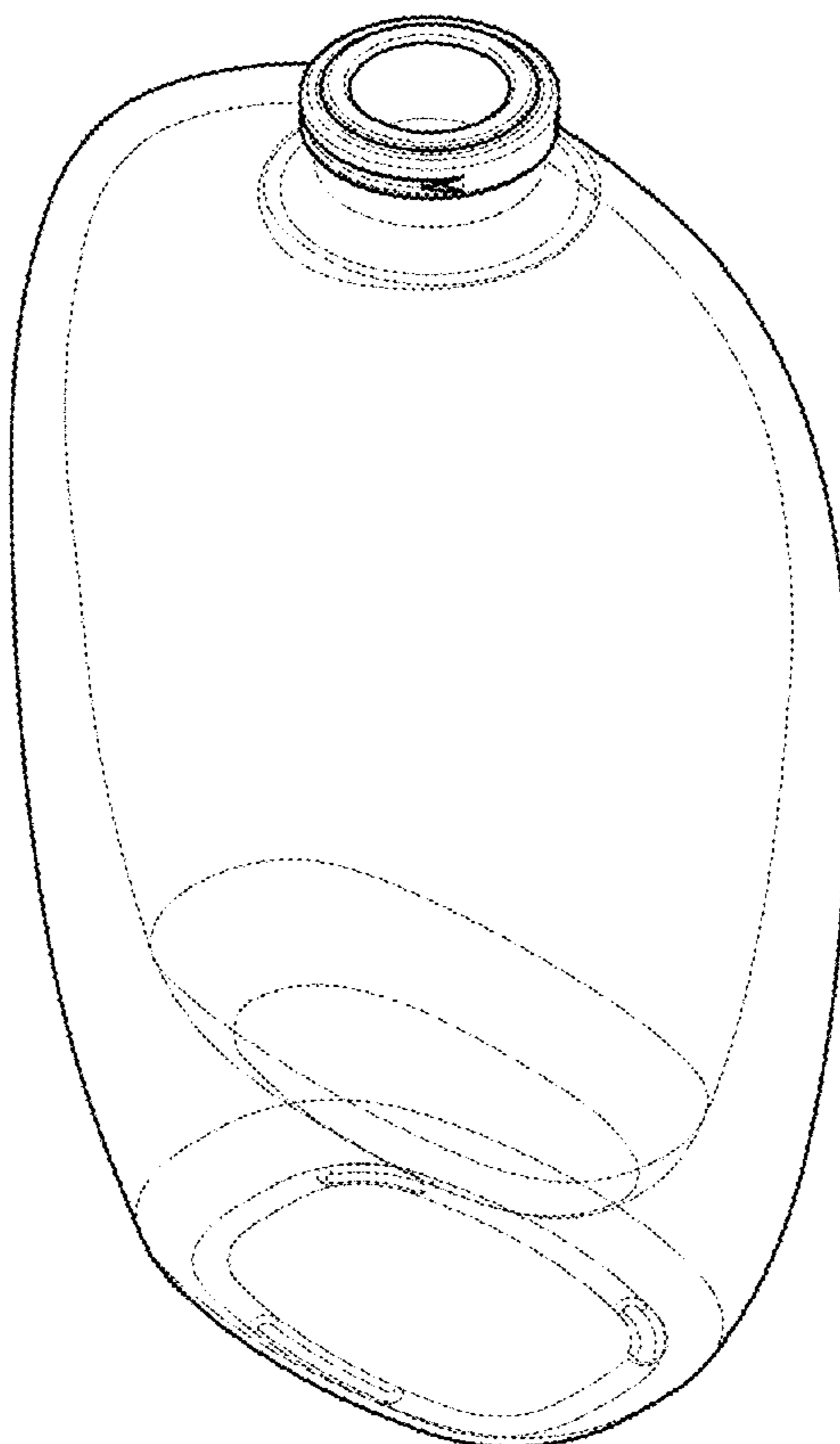
(58) **Field of Classification Search**
USPC D9/544, 545, 549-558; D28/76, 77, 82, D28/91.1
CPC A45D 34/00; A45D 34/007; A45D 2200/053; B65D 2501/0009; B65D 2501/0081

DESCRIPTION

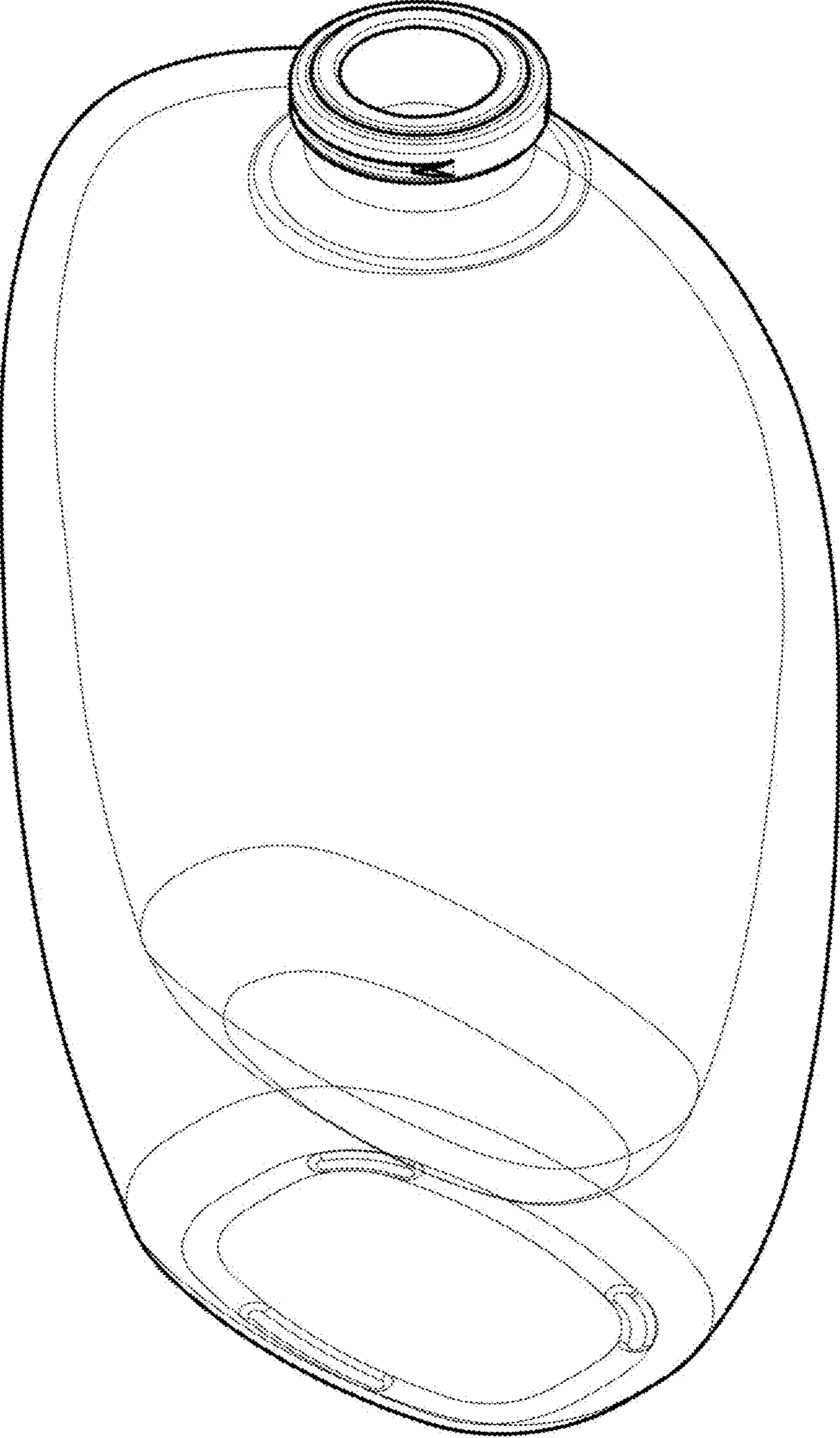
- 1. Perfume bottle
- 1.1 : Perspective
- 1.2 : Front
- 1.3 : Back
- 1.4 : Top
- 1.5 : Bottom
- 1.6 : Right
- 1.7 : Left

See application file for complete search history.

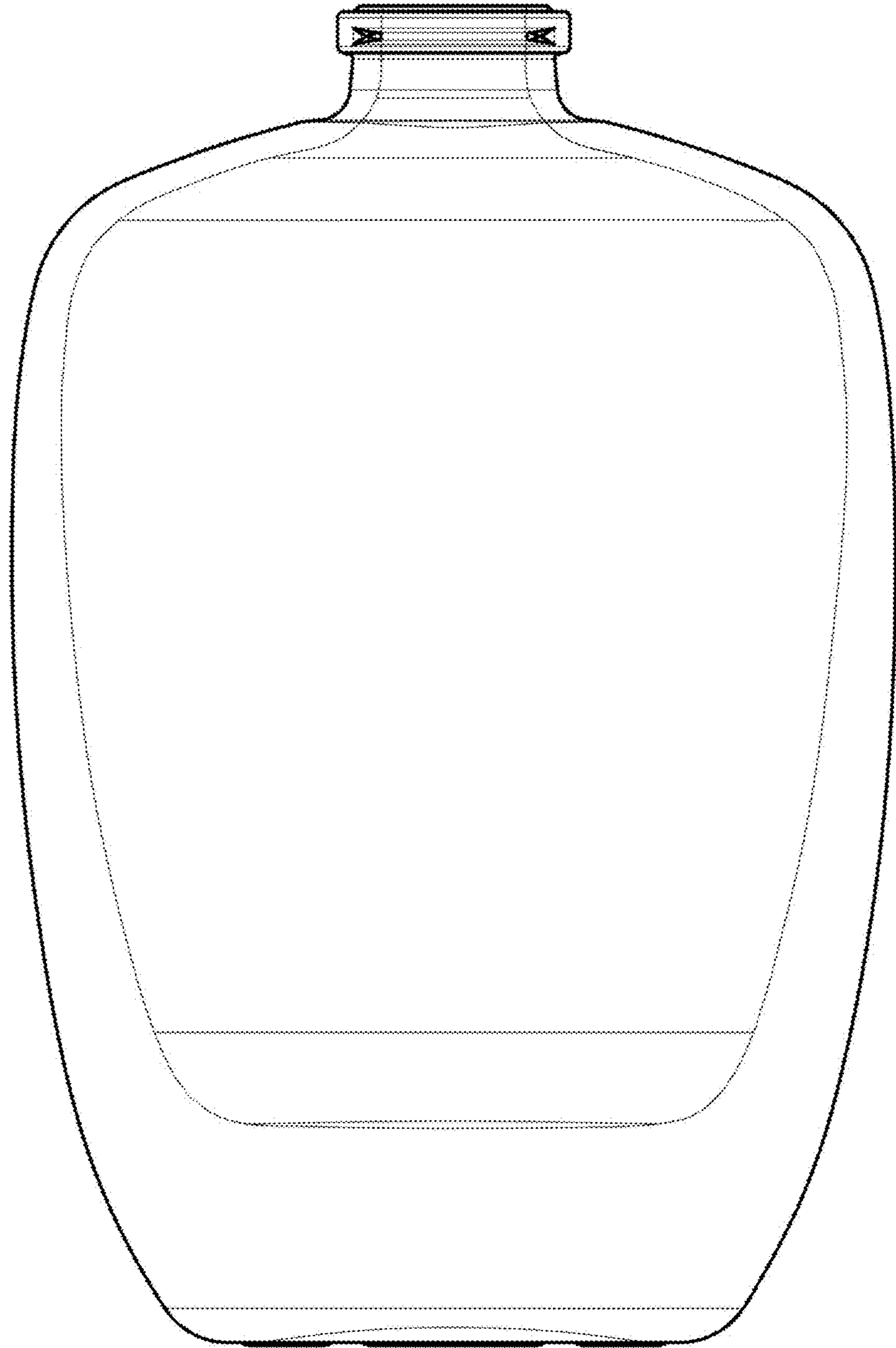
1 Claim, 7 Drawing Sheets



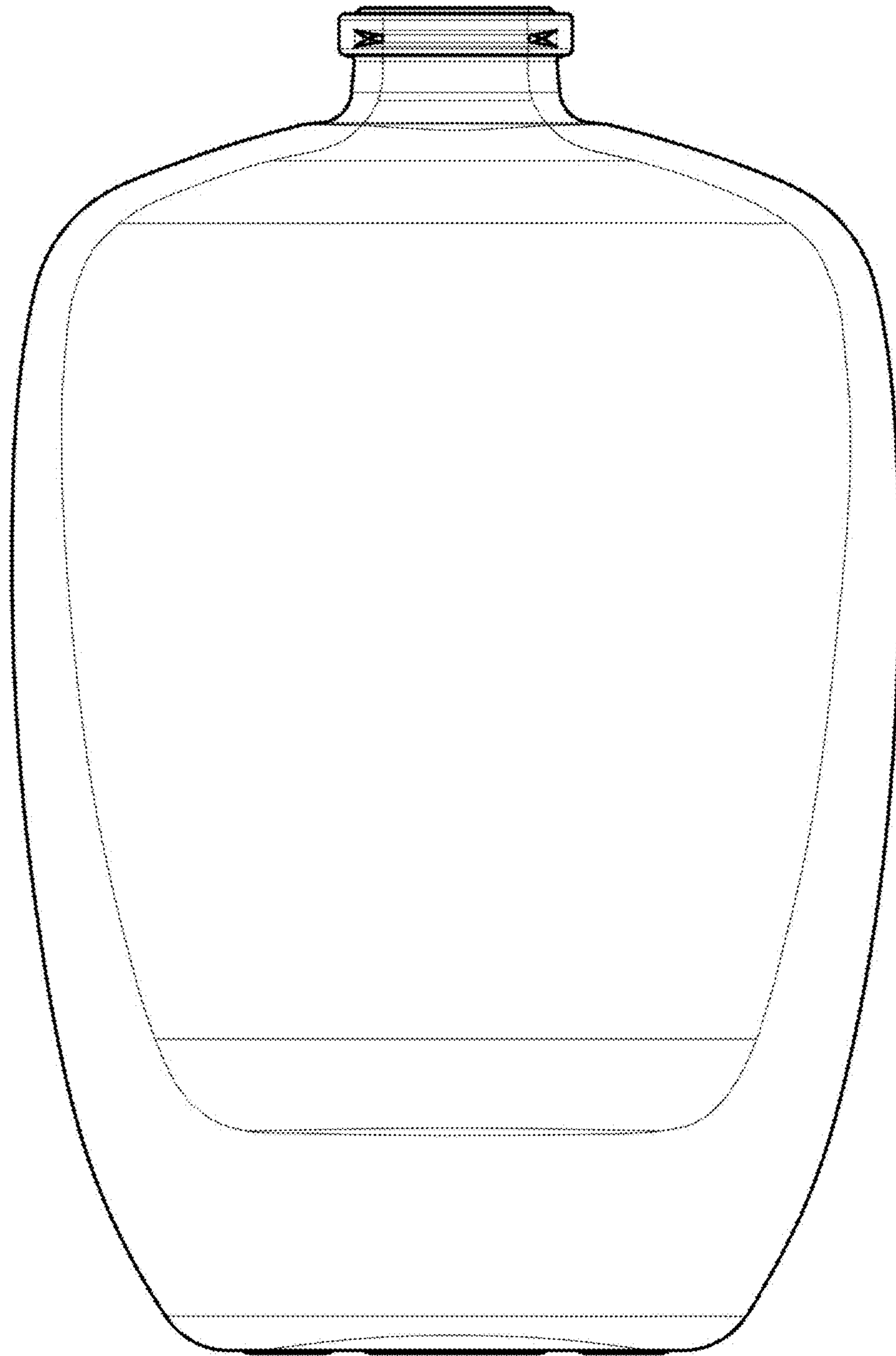
1.1



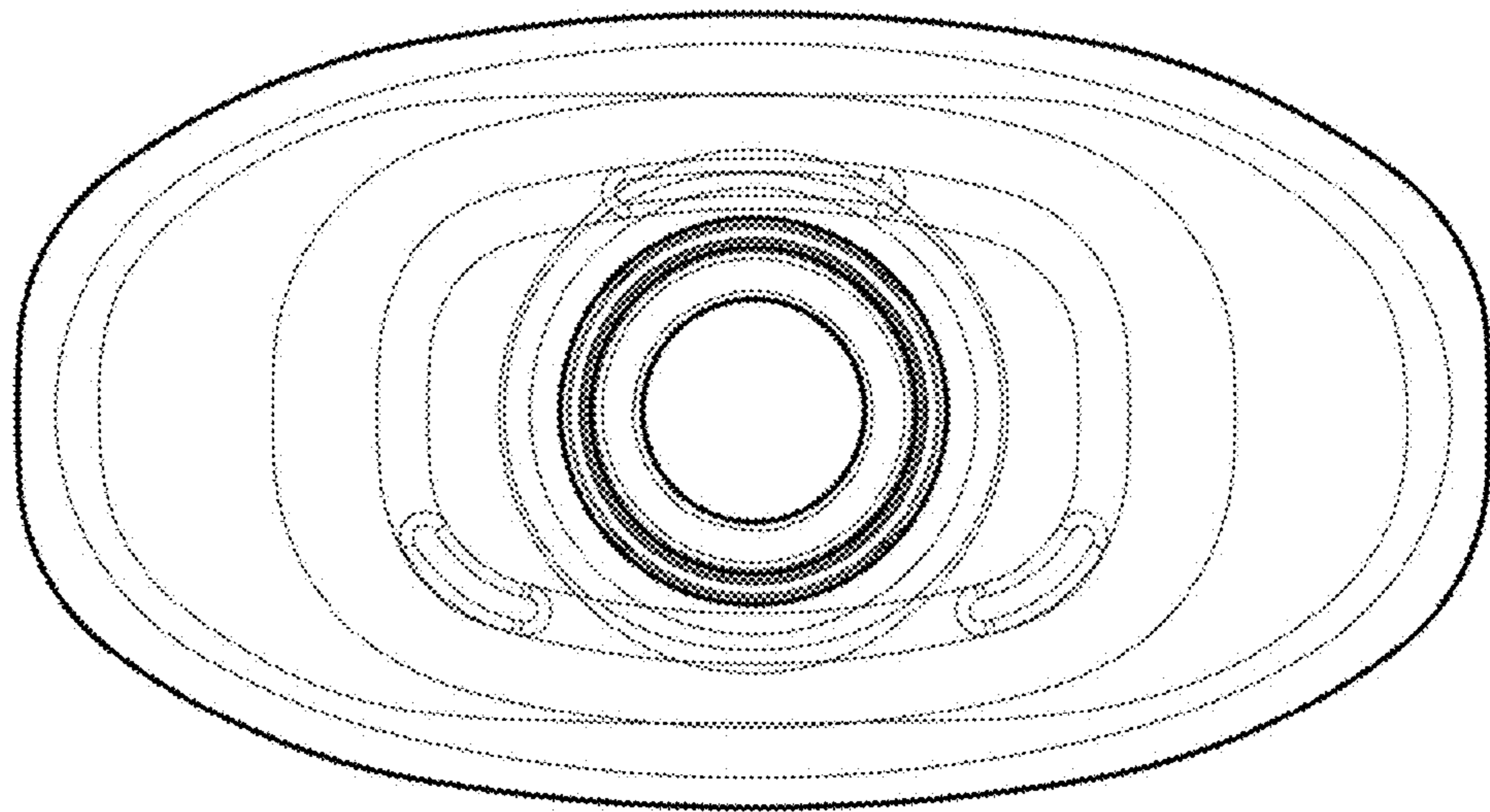
1.2



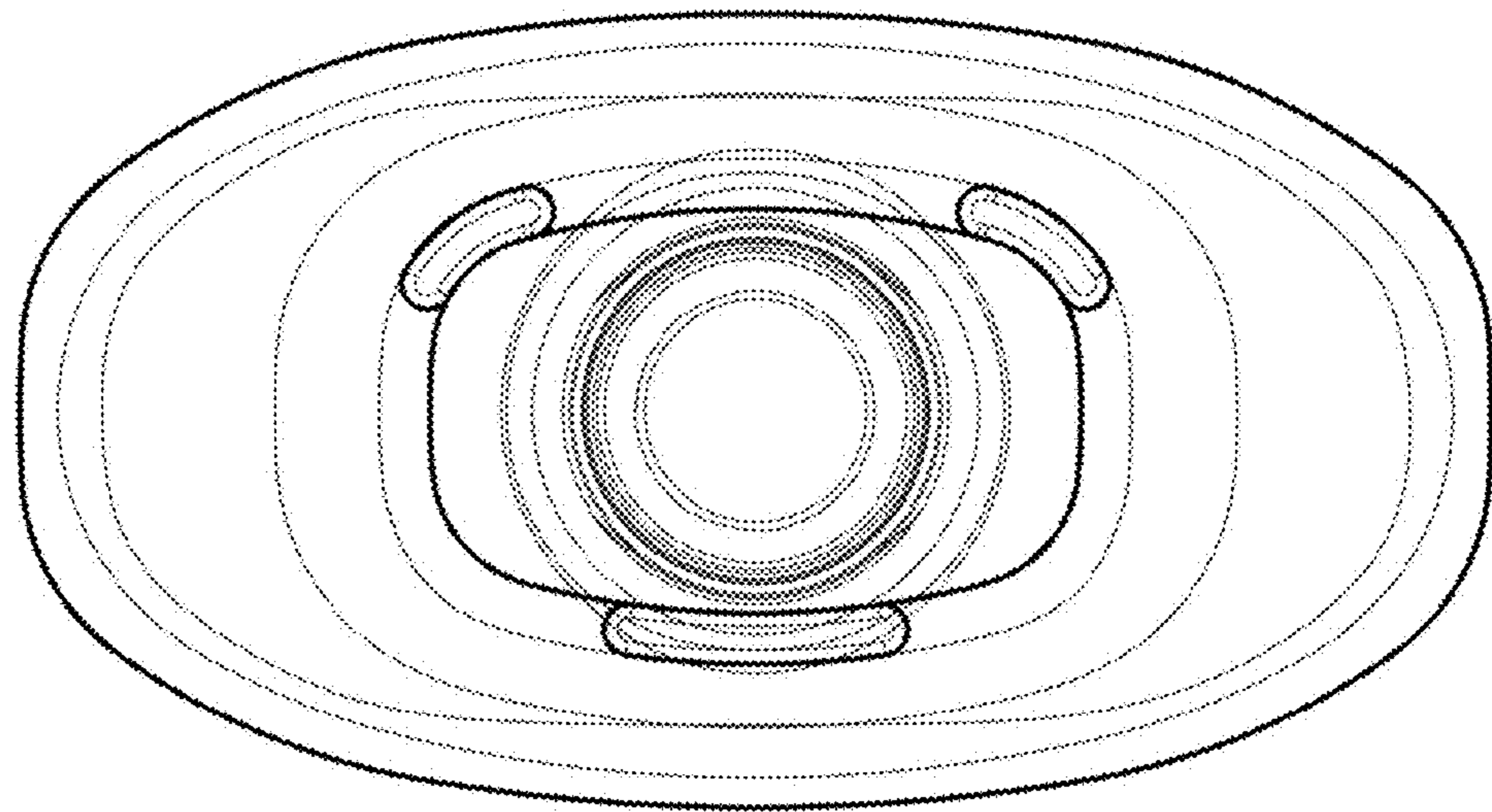
1.3



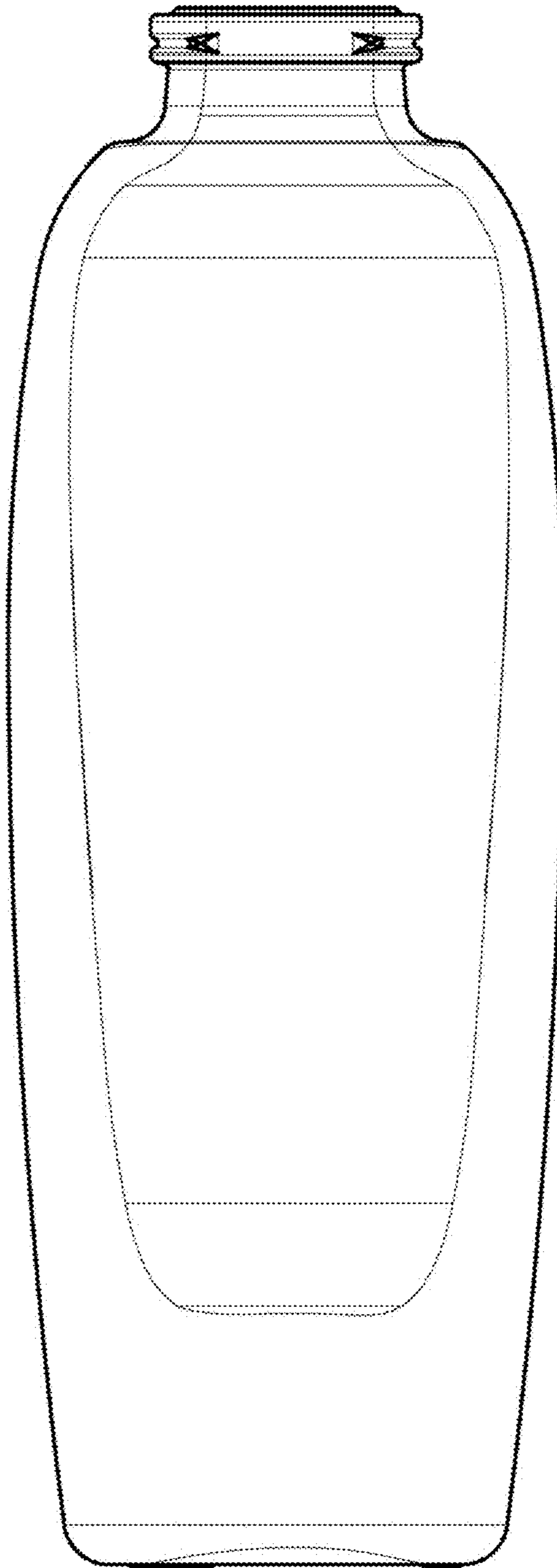
1.4



1.5



1.6



1.7

