



US00D906822S

(12) **United States Design Patent**
Maclam et al.

(10) **Patent No.:** **US D906,822 S**

(45) **Date of Patent:** **** Jan. 5, 2021**

(54) **BOTTLE**

(71) Applicant: **The Procter & Gamble Company**,
Cincinnati, OH (US)

(72) Inventors: **Dennis Lee Maclam**, Mason, OH (US);
Tracy Renae Murchison, Springboro,
OH (US); **Luis Peraza**, New Albany,
OH (US)

(73) Assignee: **The Procter & Gamble Company**,
Cincinnati, OH (US)

(**) Term: **15 Years**

(21) Appl. No.: **29/676,160**

(22) Filed: **Jan. 9, 2019**

(51) **LOC (13) Cl.** **09-01**

(52) **U.S. Cl.**
USPC **D9/542; D9/537**

(58) **Field of Classification Search**
USPC D9/522, 523, 542, 563, 574, 432, 516,
D9/539, 541, 543, 551, 573, 530, 549,
D9/435, 503, 504, 509, 529, 570,
D9/682-694, 716
CPC . B65D 1/0223; B65D 2501/0081; B65D 1/02
See application file for complete search history.

(56) **References Cited**

U.S. PATENT DOCUMENTS

D97,400 S *	11/1935	Lewis	D9/539
3,285,256 A *	11/1966	Despard	A45D 29/16 132/74.5
D292,773 S *	11/1987	Carlson	D9/691
D349,045 S *	7/1994	Schmitt	D9/692
D372,873 S *	8/1996	Lathrop	D9/558
D374,613 S *	10/1996	Maxwell	D9/694
D398,535 S *	9/1998	Henderson	D9/542
D398,536 S *	9/1998	Chan	D9/542
D411,100 S *	6/1999	Torres	D9/692
D418,746 S *	1/2000	Featherston	D9/682

D429,629 S *	8/2000	Kuzma	D9/682
D429,648 S *	8/2000	Goettner	D9/543
D443,825 S *	6/2001	Goettner	D9/530
D451,377 S *	12/2001	Johnson	D9/539
D451,396 S *	12/2001	Johnson	D9/530
D464,874 S *	10/2002	Tune	D9/682

(Continued)

FOREIGN PATENT DOCUMENTS

JP D1416921 * 6/2011

OTHER PUBLICATIONS

Vicks VapoCOOL Sore Throat Spray—Winterfrost—6 fl oz, available Sep. 2019, [online], [site visited Jun. 19, 2020], Vicks VapoCOOL Sore Throat Spray—Winterfrost—6 fl oz, available Sep. 2019, [online], [site visited Jun. 19, 2020], Available from internet URL: See attached NPL (Year: 2019).*

(Continued)

Primary Examiner — Brett Miller
Assistant Examiner — Rani J Abdallah
(74) *Attorney, Agent, or Firm* — Jason J. Camp

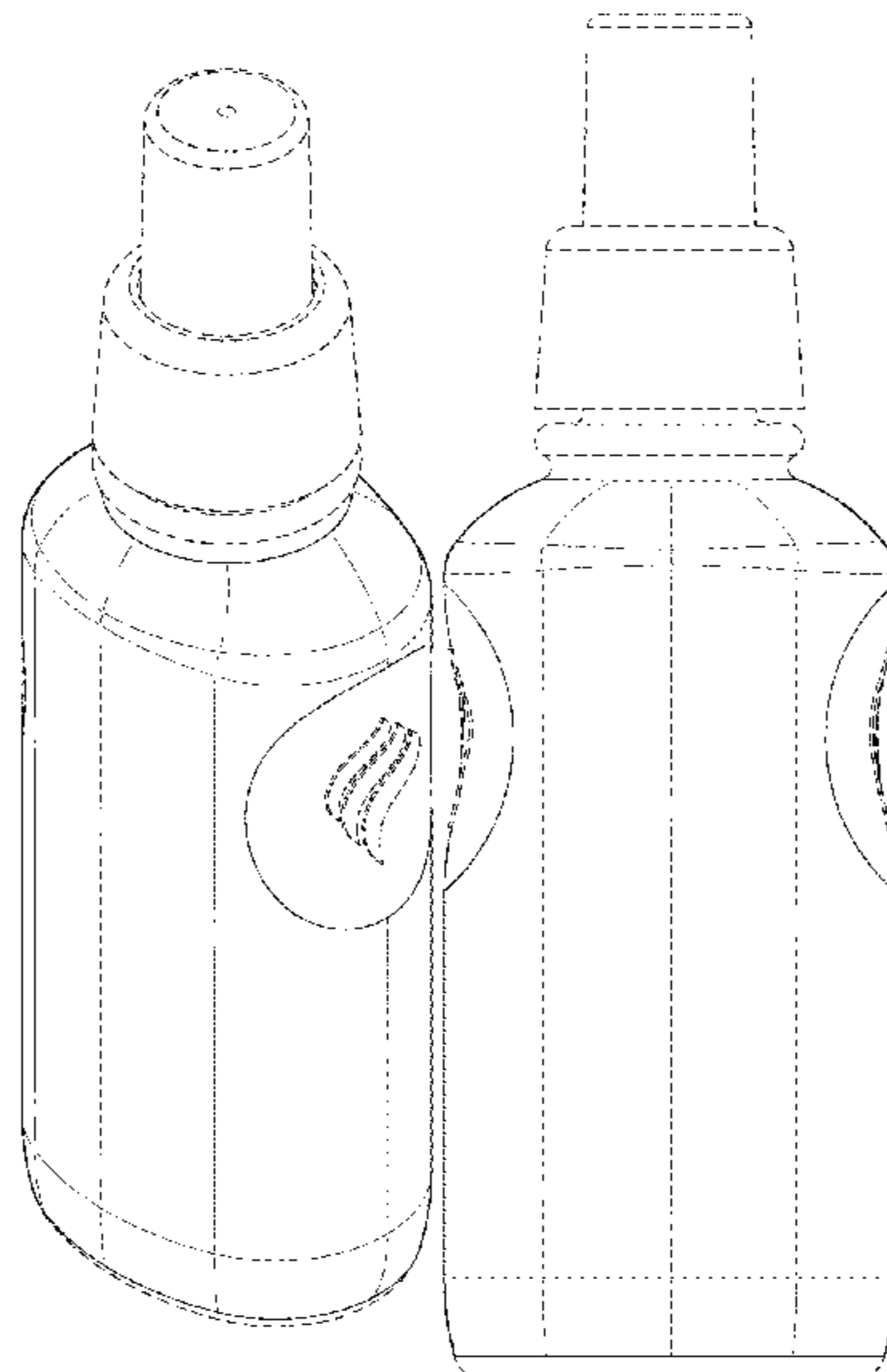
(57) **CLAIM**

The ornamental design for a bottle, as shown and described.

DESCRIPTION

FIG. 1 is a perspective of a bottle embodying our new design;
FIG. 2 is a front view thereof;
FIG. 3 is a left side view thereof;
FIG. 4 is a back view thereof;
FIG. 5 is a right side view thereof;
FIG. 6 is a top view thereof; and,
FIG. 7 is a bottom view thereof.
The broken lines are shown for the purpose of illustrating parts of the bottle that form no part of the claimed design.

1 Claim, 3 Drawing Sheets



(56)

References Cited

U.S. PATENT DOCUMENTS

D472,154 S * 3/2003 Peon D9/543
 D486,069 S * 2/2004 Steele, IV D9/543
 D489,625 S * 5/2004 Steele, IV D9/543
 D584,961 S * 1/2009 Yakoby D9/690
 D585,299 S * 1/2009 Miller D9/682
 D600,128 S * 9/2009 Miller D9/530
 D607,738 S * 1/2010 Kuzma D9/542
 D618,114 S * 6/2010 Lee D9/686
 D674,102 S * 1/2013 Smith D24/197
 D681,473 S * 5/2013 Nanda D9/541
 D738,732 S * 9/2015 Gelov D9/529
 D758,877 S * 6/2016 Vaughn-Batiz D9/682
 D778,164 S * 2/2017 Vaughn-Batiz D9/574
 D803,692 S * 11/2017 Enxing D9/539
 D807,195 S * 1/2018 Richmond D9/682
 D811,894 S * 3/2018 Frias D9/682
 2010/0006606 A1 * 1/2010 Lee B05B 11/0094
 222/383.1

OTHER PUBLICATIONS

Cutter Insect Repellent, Oct. 10, 2014, Cutter Facebook Post, URL:
<https://www.facebook.com/cutterinsectrepellent/photos/a.10151003199597263/10152425448052263/?type=3&theater> (Year: 2014).*

Greenerways Bug Repellent, Oct. 29, 2018, Greenways Orgainc
 Youtube Post, URL: https://www.youtube.com/watch?v=qvbp0aJgyJg&feature=emb_logo (Year: 2018).*

Honey Lemon Flavor Sore Oral Anesthetic Spray. https://www.gnpd.com/sinatra/recordpage/5214181/from_search/Qy4Ob07jrV/?page=1. ID 5214181 Published Nov. 2017.

* cited by examiner

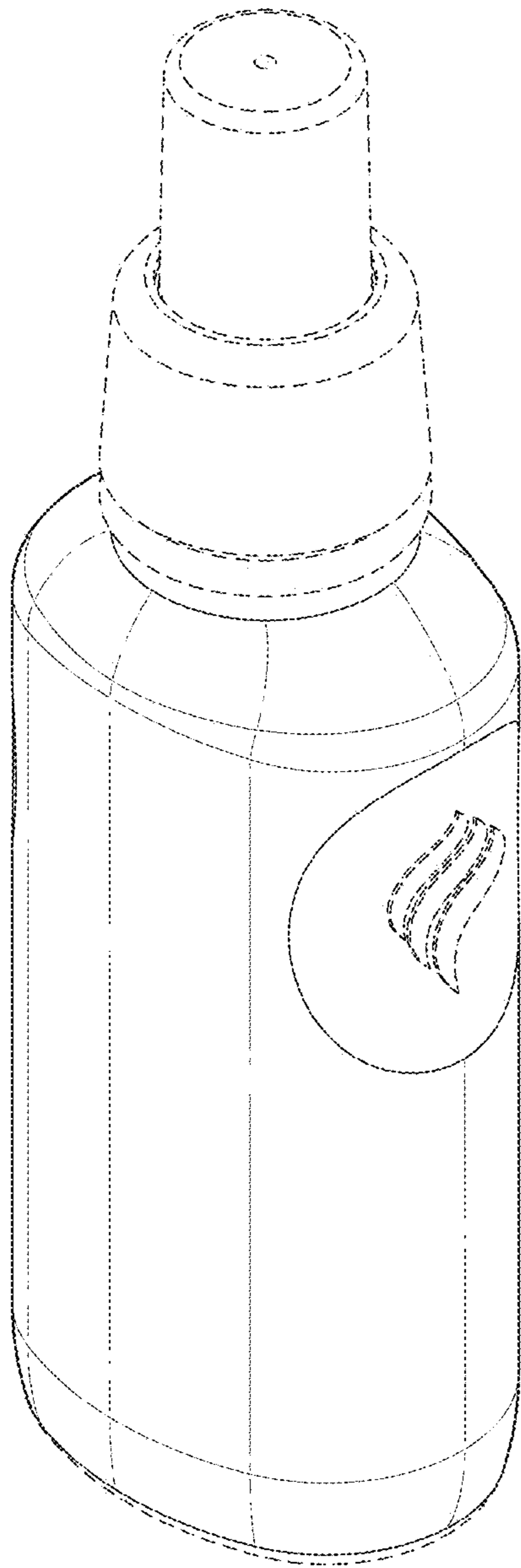


FIG. 1

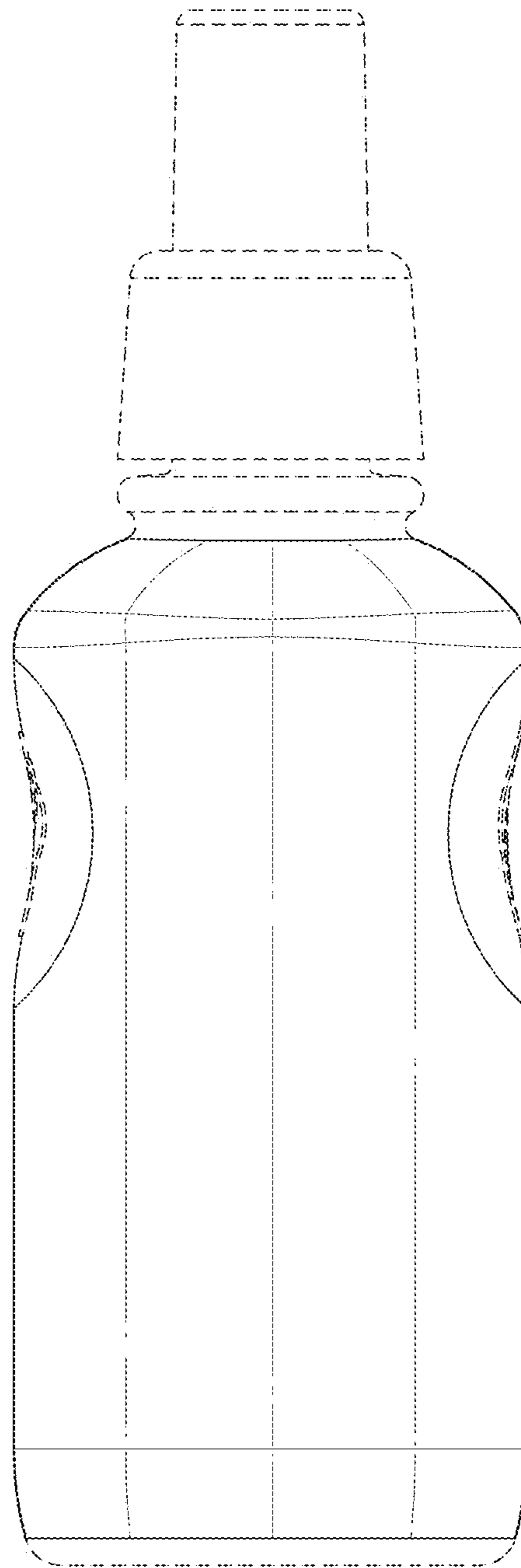


FIG. 2

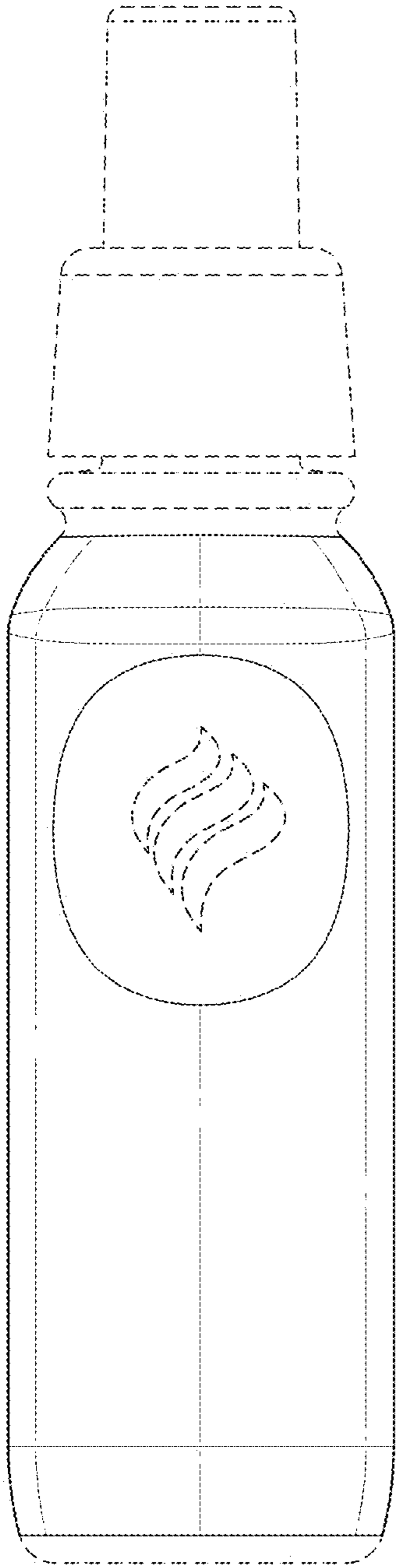


FIG. 3

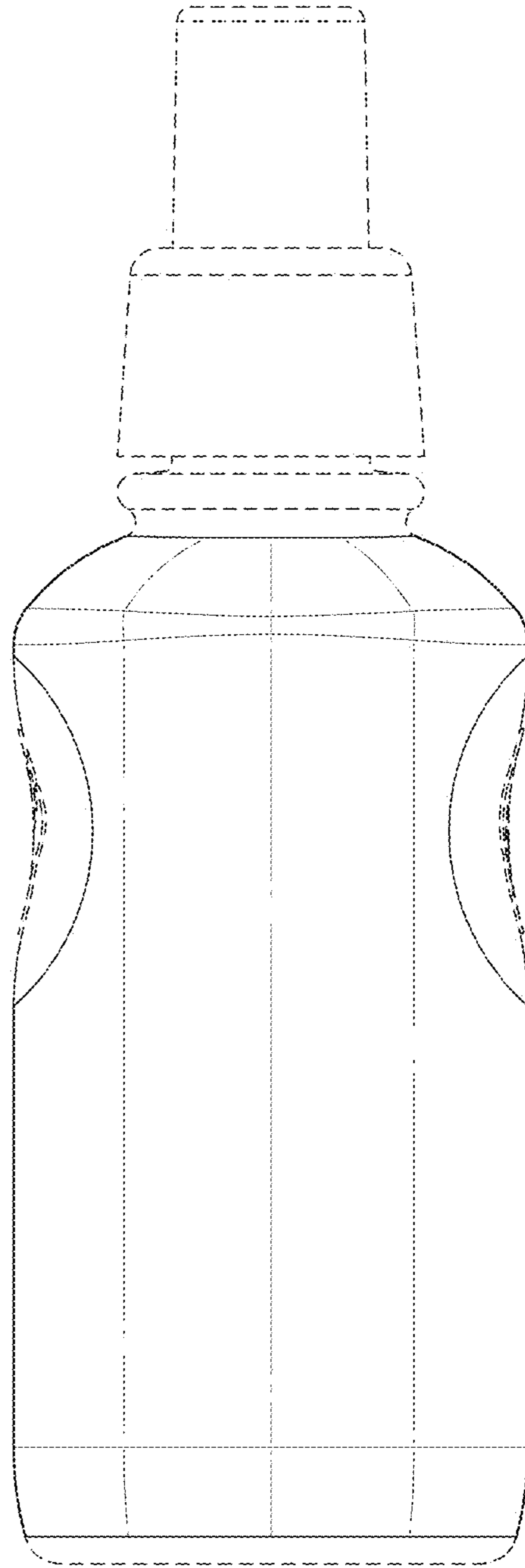


FIG. 4

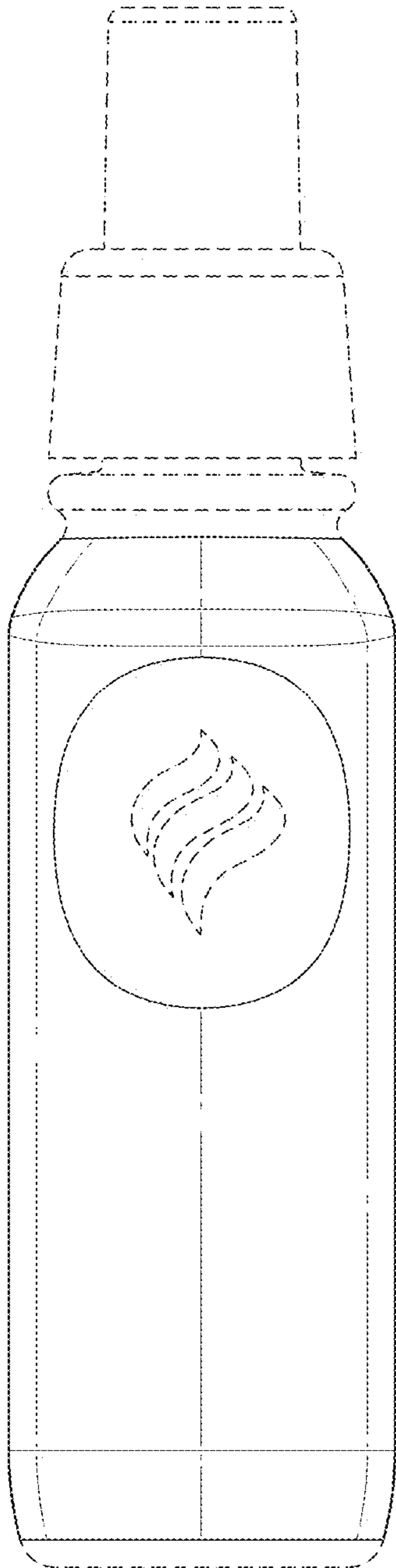


FIG. 5

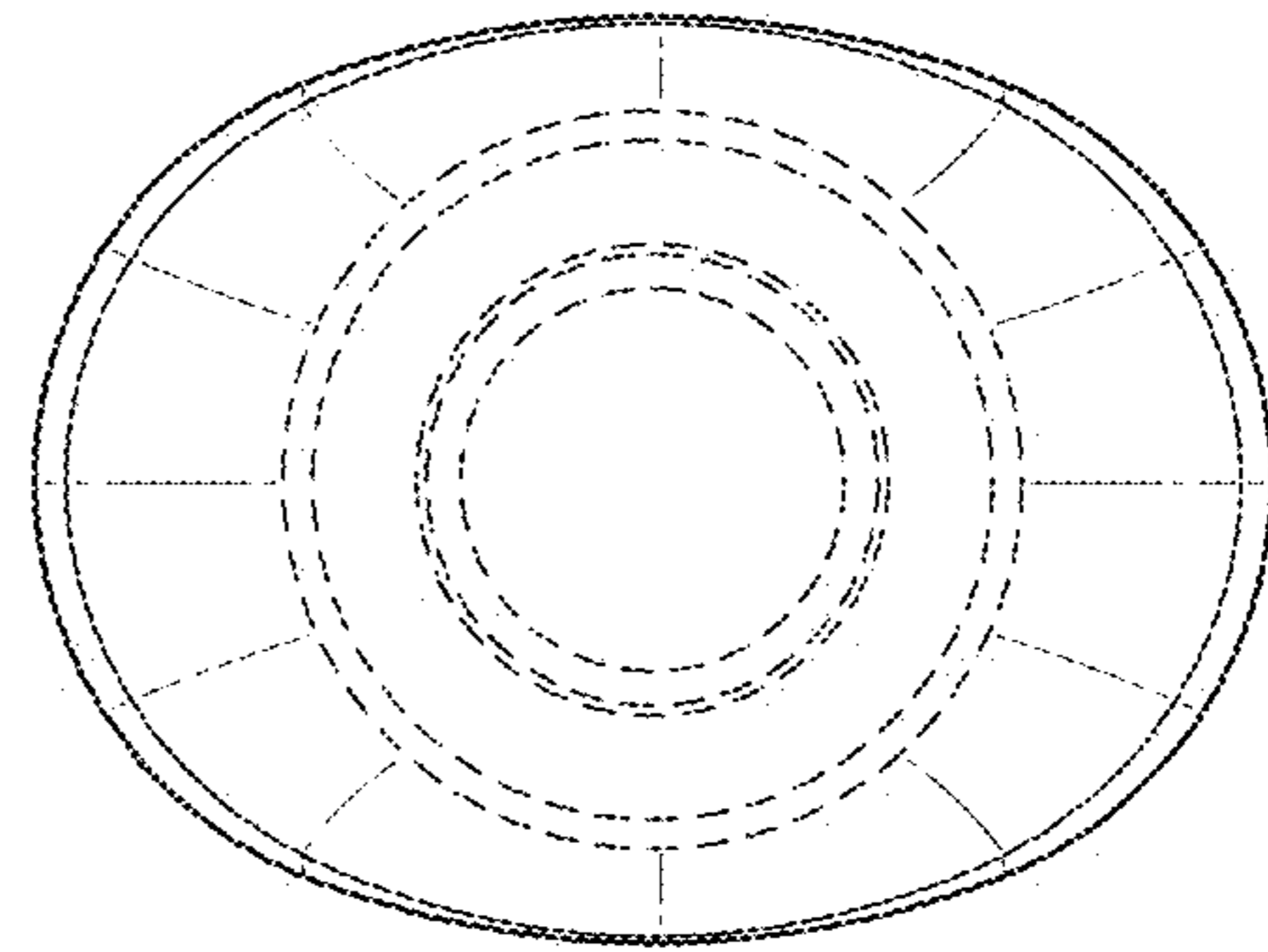


FIG. 6

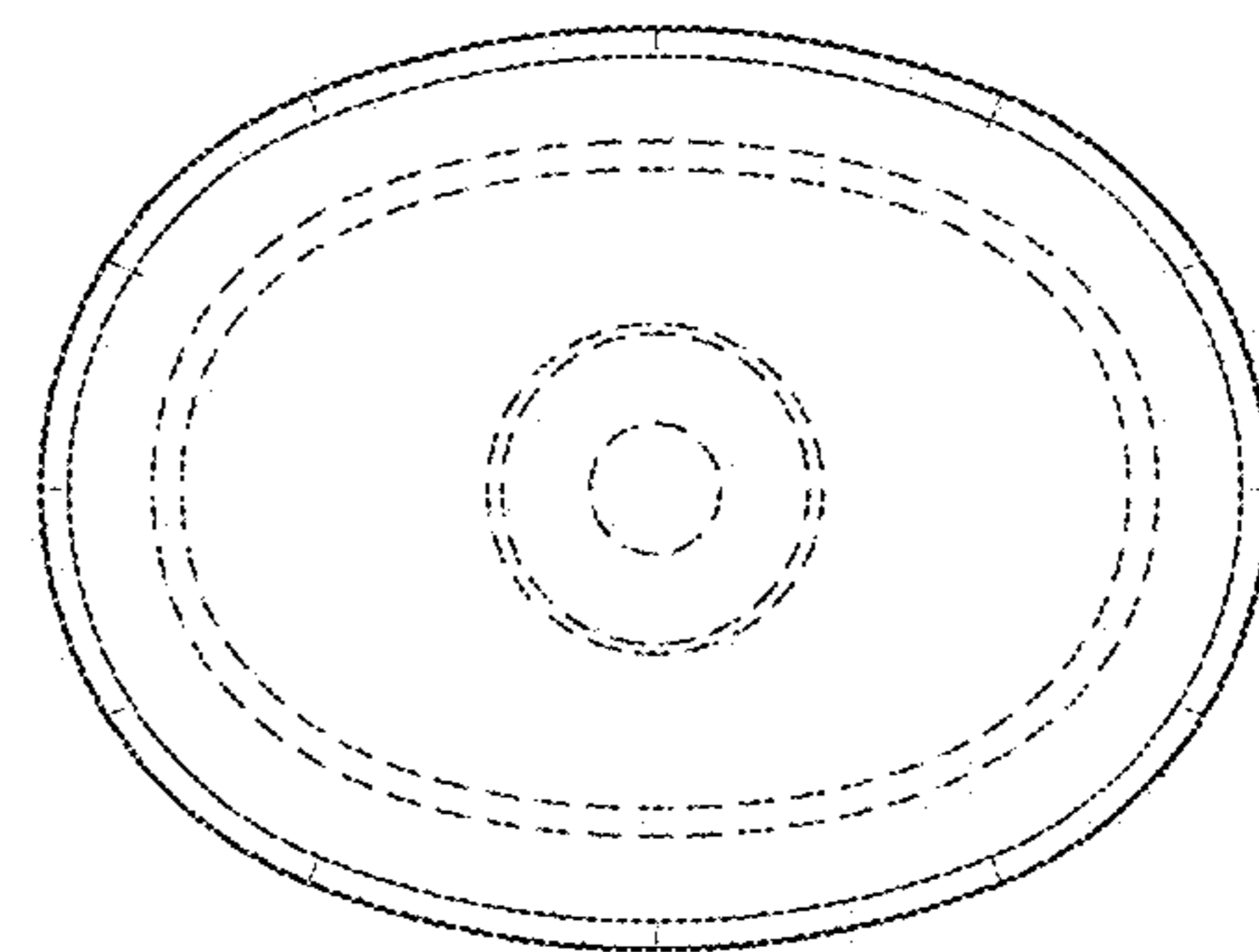


FIG. 7