



US00D906818S

(12) **United States Design Patent** (10) **Patent No.:** **US D906,818 S**
Sun (45) **Date of Patent:** **** Jan. 5, 2021**

(54) **BOTTLE**

(71) Applicant: **Conopco, Inc.**, Englewood Cliffs, NJ (US)

(72) Inventor: **Ya Sun**, Fuyang (CN)

(73) Assignee: **Conopco Inc.**, Englewood Cliffs, NJ (US)

(**) Term: **15 Years**

(21) Appl. No.: **29/726,858**

(22) Filed: **Mar. 6, 2020**

(30) **Foreign Application Priority Data**

Sep. 19, 2019 (EM) 006884367-0001

(51) **LOC (13) Cl.** **09-01**

(52) **U.S. Cl.**
USPC **D9/500**

(58) **Field of Classification Search**
USPC D9/500, 503-505, 516, 530, 537-540,
D9/544-545, 549, 558, 659, 715, 719;
D24/224

CPC B65D 1/00; B65D 1/02; B65D 1/0223;
B65D 1/023; B65D 2501/00; B65D
2501/0009

See application file for complete search history.

(56) **References Cited**

U.S. PATENT DOCUMENTS

D116,861 S 4/1939 Mas
D192,453 S * 3/1962 Wilhelm D9/500
D210,351 S 3/1968 Fuerst et al.
D211,510 S 6/1968 Keifer et al.
D224,777 S 9/1972 Pettengill et al.
D225,727 S 1/1973 Pettengill et al.
D228,880 S * 10/1973 Strand et al. D9/538
D229,482 S 12/1973 Suhard
D232,078 S * 7/1974 Strand D9/500
D247,472 S * 3/1978 Byrne D9/500

D247,847 S 5/1978 Kretz
D254,840 S 4/1980 Aldrich
D264,306 S * 5/1982 Pardo D9/500
D274,501 S 7/1984 Campbell
D276,697 S * 12/1984 Martini D9/500
D288,662 S 3/1987 Obuchowski
D290,228 S 6/1987 Conrad
D292,375 S 10/1987 Jacobs et al.
D299,115 S 12/1988 Wetherell, Jr.

(Continued)

FOREIGN PATENT DOCUMENTS

EM 002198127-0001 3/2013
EM 002198127-0002 3/2013

OTHER PUBLICATIONS

Knorr soy sauce bottle China; Knorr soy sauce bottle China; Oct. 9, 2008.
UNILEVER; Knorr Bottle CN; Knorr Bottle CN; .

Primary Examiner — Dana Meyrow
(74) *Attorney, Agent, or Firm* — N.V. Nederlandsch Octrooibureau; Catherine A. Shultz; Tamara C. Stegmann

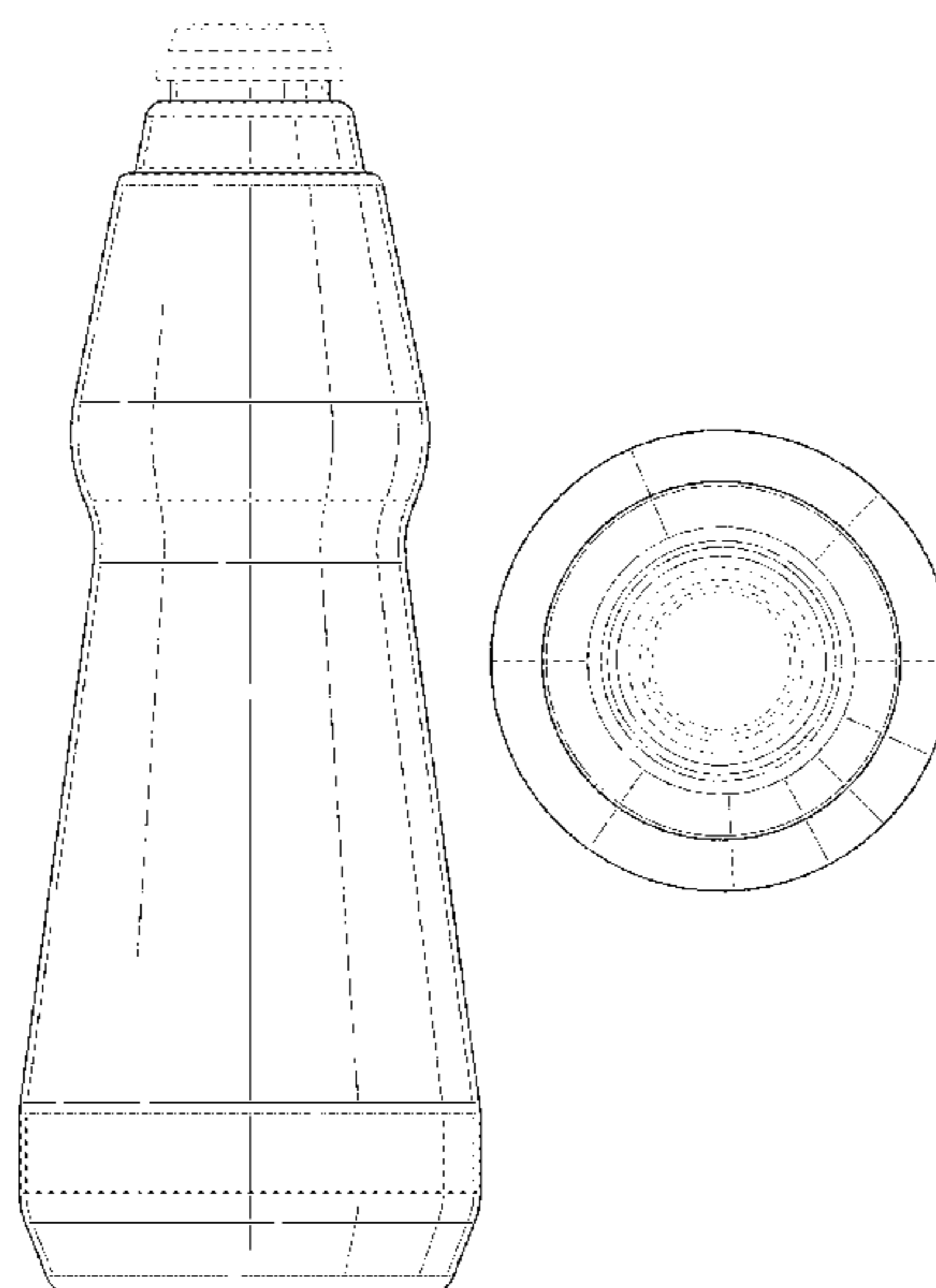
(57) **CLAIM**

The ornamental design for the bottle, as shown and described.

DESCRIPTION

FIG. 1 is a perspective view of a bottle showing our new design;
FIG. 2 is a front elevational view thereof;
FIG. 3 is a rear elevational view thereof;
FIG. 4 is a an elevational view of the left side thereof,
FIG. 5 is a an elevational view of the right side thereof,
FIG. 6 is a top plan view thereof; and,
FIG. 7 is a bottom plan view thereof.
Broken lines are used to indicate structure that does not form part of the claimed design.

1 Claim, 4 Drawing Sheets



(56)

References Cited

U.S. PATENT DOCUMENTS

D379,307 S	5/1997	Marriage	
D379,760 S	6/1997	Zogg	
D379,761 S	6/1997	Zogg	
D379,762 S	6/1997	Zogg	
D384,889 S	10/1997	Nasrallah	
D520,363 S	5/2006	Perez	
D536,616 S	2/2007	Rubin et al.	
D614,030 S	* 4/2010	Kuzma	D9/500
D615,404 S	* 5/2010	Pitzer	D9/500
D727,159 S	* 4/2015	Barjon	D9/537
D739,244 S	* 9/2015	Barjon	D9/500
D740,120 S	10/2015	Ghouyel	
D763,085 S	* 8/2016	Fleischhacker	D9/500
D866,332 S	* 11/2019	Laib	D9/500
D887,211 S	* 6/2020	Sitwell	D7/507
D887,213 S	* 6/2020	Sitwell	D7/523
D888,557 S	* 6/2020	Harris	D9/500

* cited by examiner

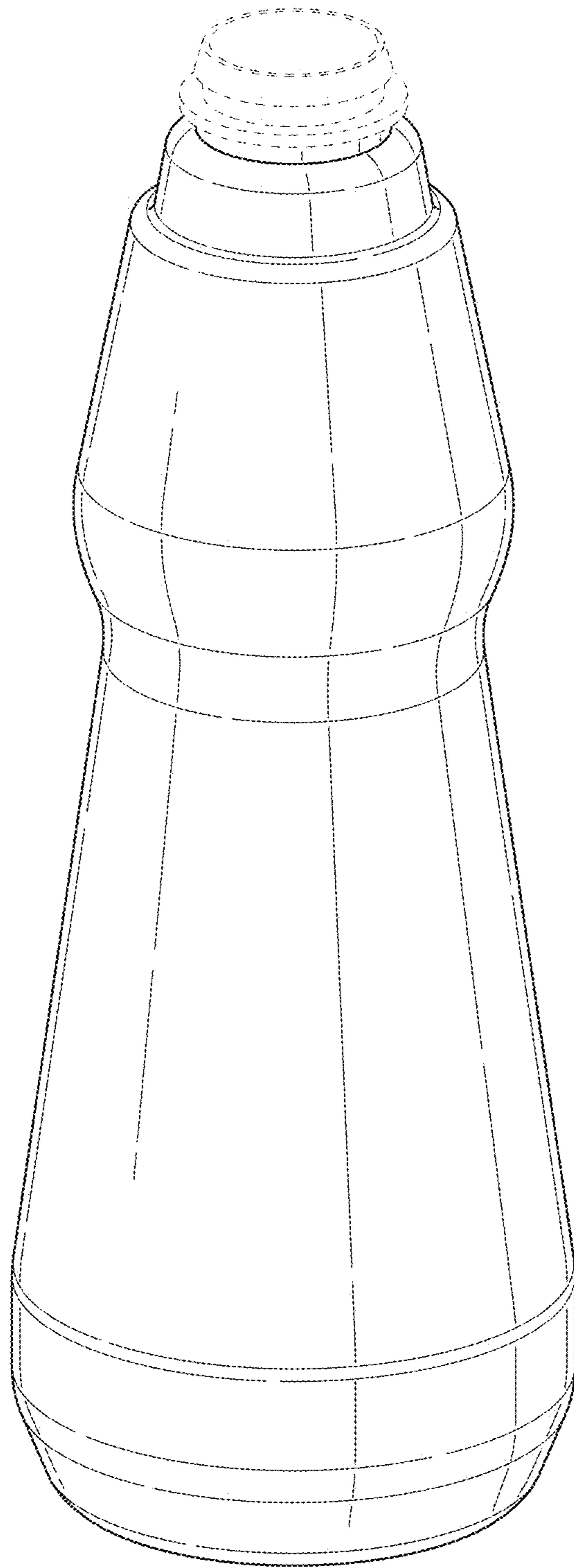


Fig. 1

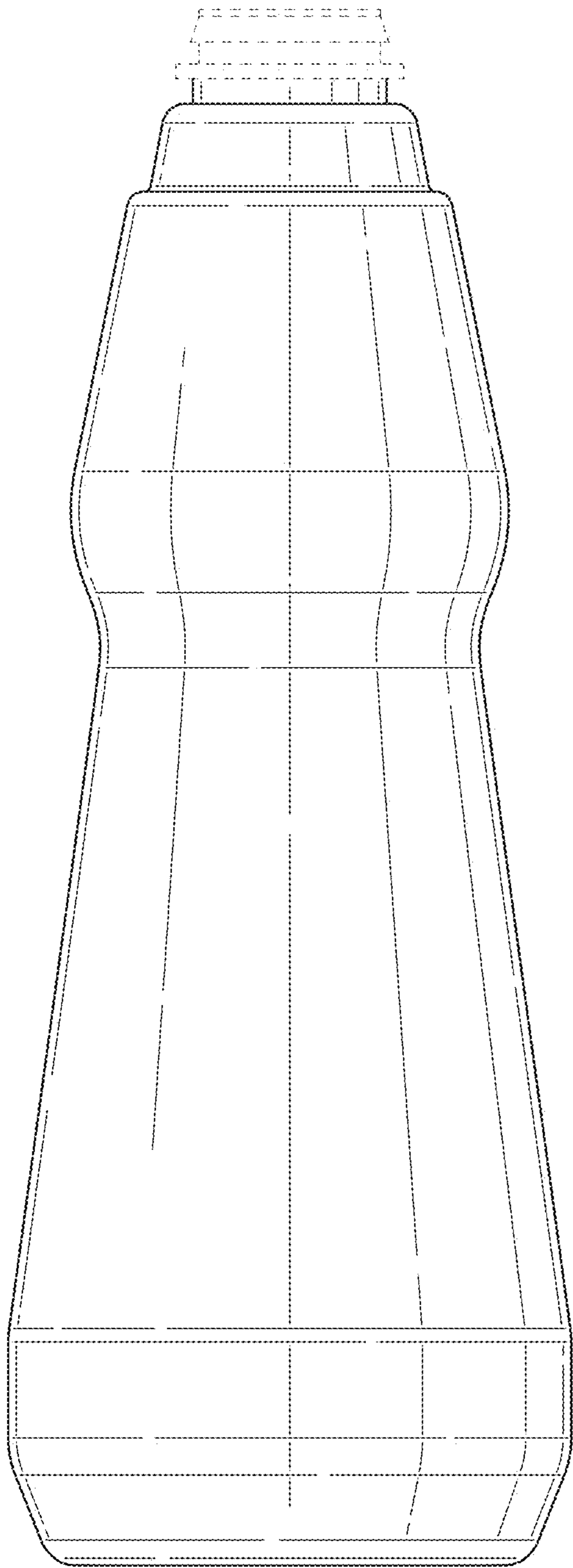


Fig. 2

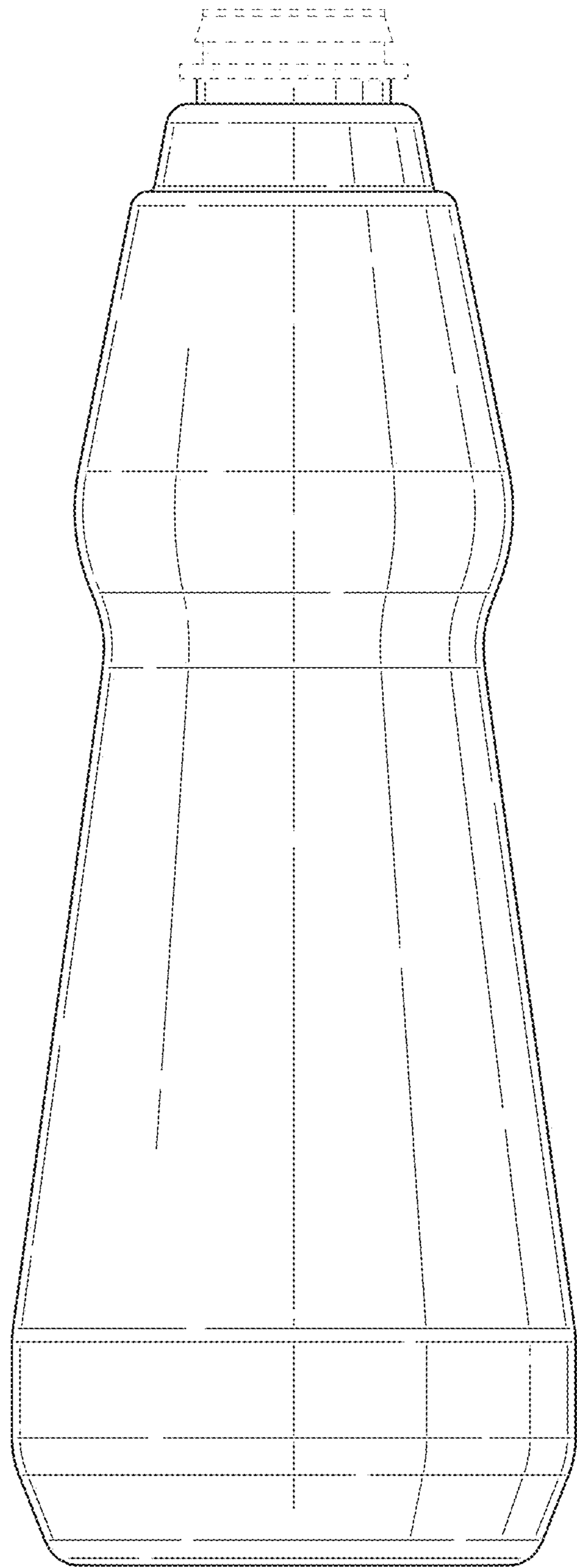


Fig. 3

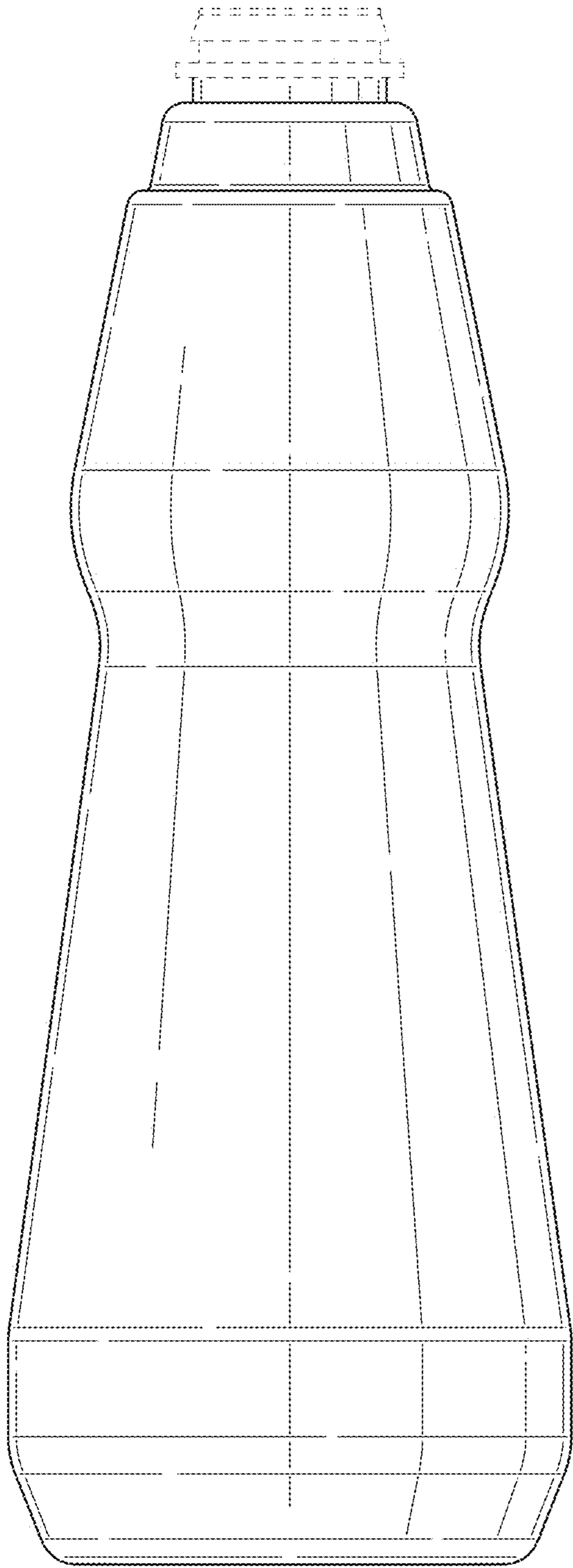


Fig. 4

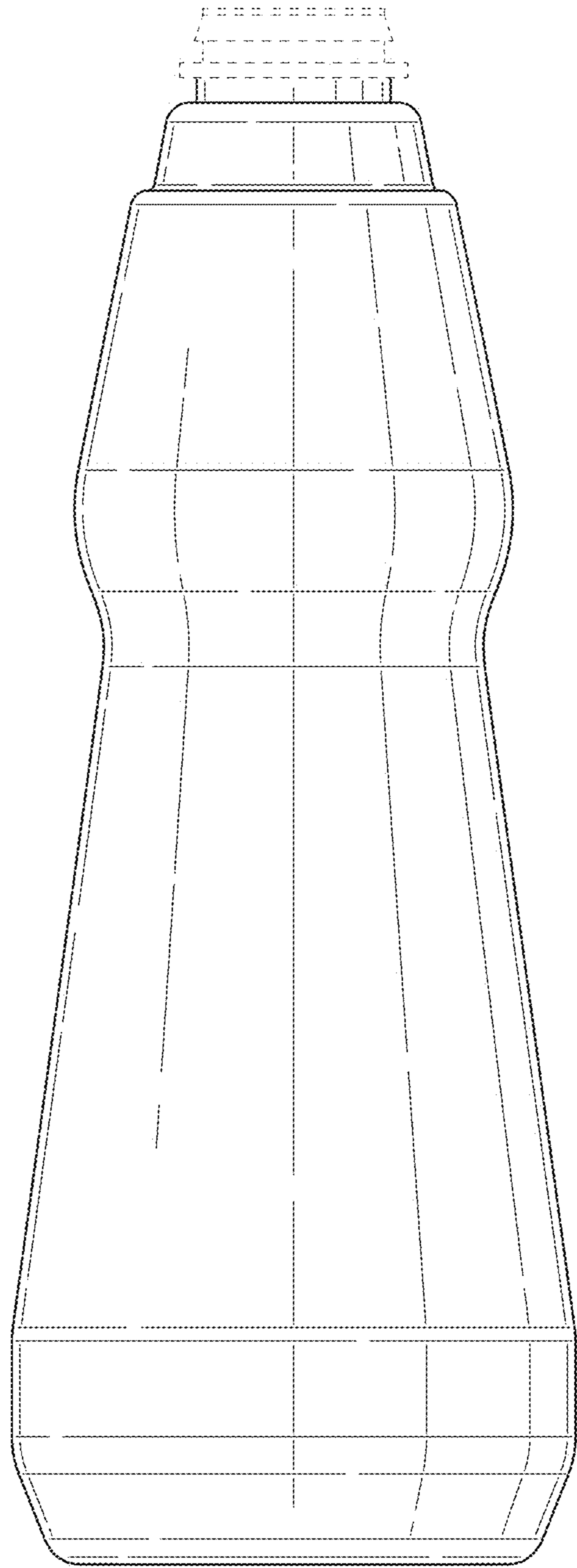


Fig. 5

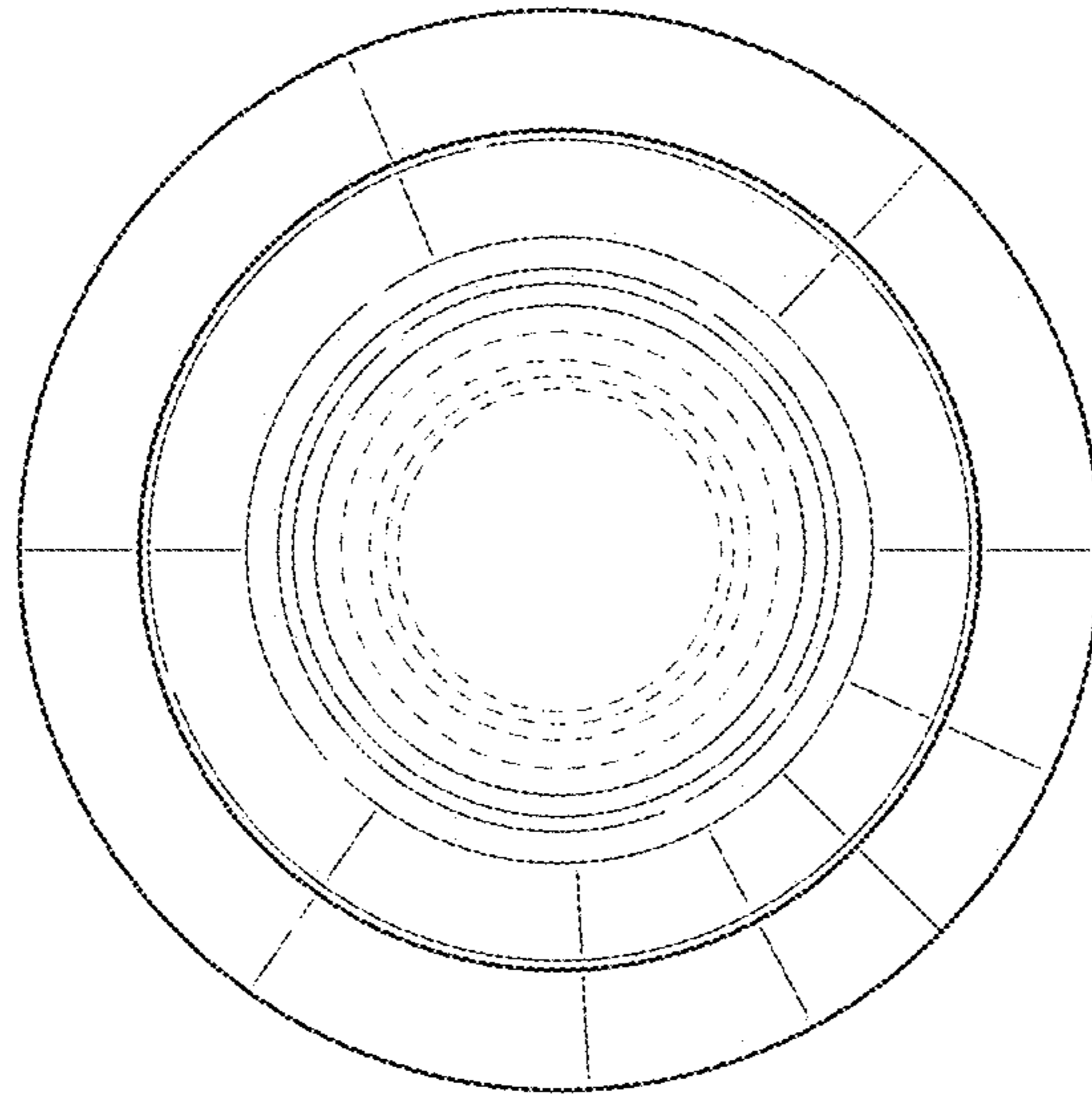


Fig. 6

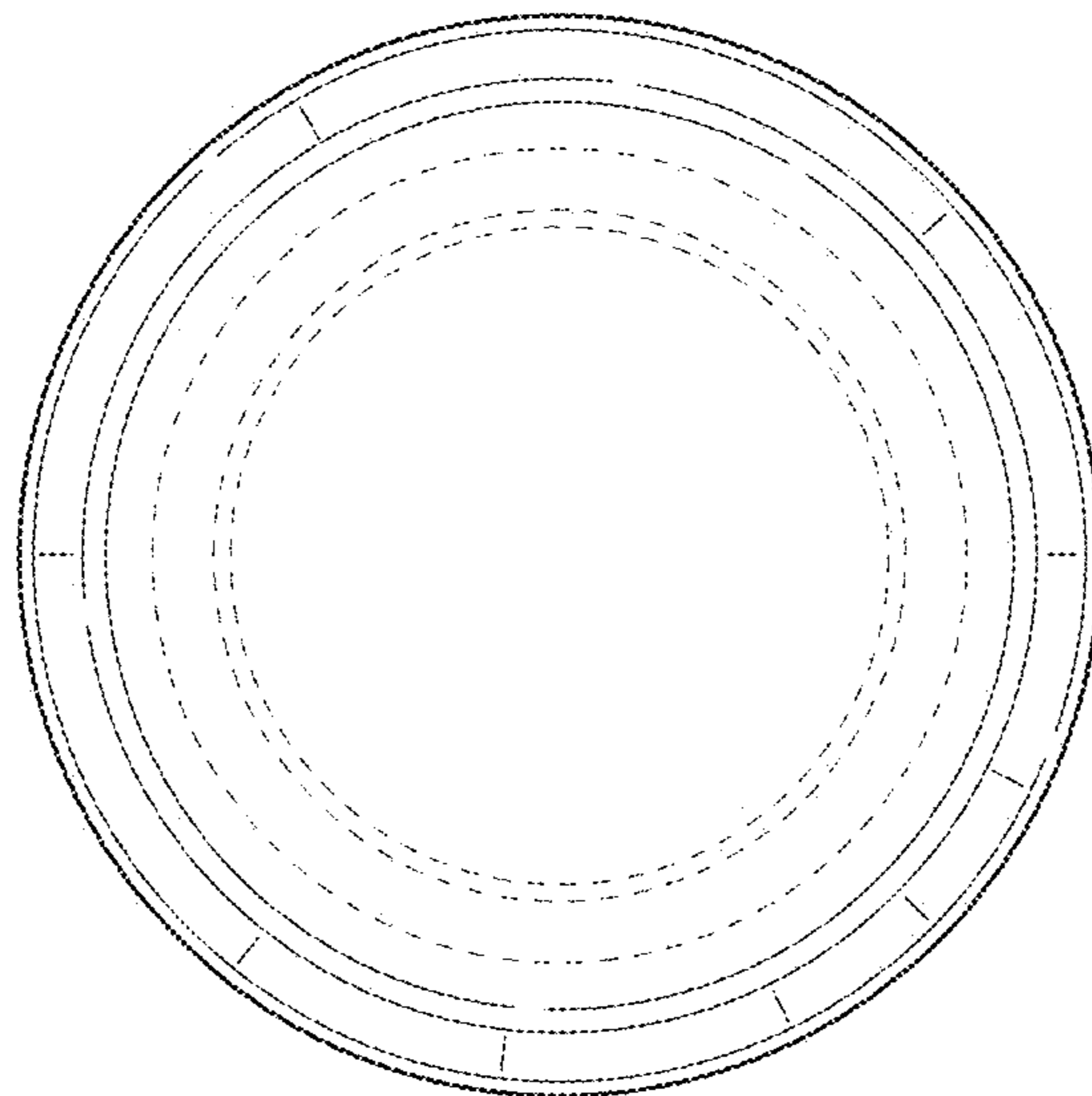


Fig. 7