



US00D906817S

(12) **United States Design Patent**
Abercrombie et al.

(10) **Patent No.:** **US D906,817 S**

(45) **Date of Patent:** **** Jan. 5, 2021**

(54) **BOTTLE**

(71) Applicants: **Rich Abercrombie**, Chattanooga, TN (US); **Tim Piersant**, Chattanooga, TN (US)

(72) Inventors: **Rich Abercrombie**, Chattanooga, TN (US); **Tim Piersant**, Chattanooga, TN (US)

(73) Assignee: **Tennessee Stillhouse, LLC**, Chattanooga, TN (US)

(**) Term: **15 Years**

(21) Appl. No.: **29/692,086**

(22) Filed: **May 22, 2019**

(51) **LOC (13) Cl.** **09-01**

(52) **U.S. Cl.**
USPC **D9/500; D9/550**

(58) **Field of Classification Search**
USPC D9/434, 500, 502–505, 516, 530, 537, D9/539, 544–545, 549–550, 558, 715, D9/719

CPC B65D 1/00; B65D 1/02; B65D 1/0223; B65D 1/023; B65D 23/00; B65D 2501/00; B65D 2501/0009

See application file for complete search history.

(56) **References Cited**

U.S. PATENT DOCUMENTS

D308,335 S * 6/1990 Rubinoff D9/557
D330,861 S * 11/1992 Lower D9/563

D363,026 S * 10/1995 Sillince D9/500
D450,243 S * 11/2001 Toms D9/502
D452,648 S * 1/2002 Jakubiuk D9/628
D476,571 S * 7/2003 Lince D9/500
D484,415 S * 12/2003 Hadtke D9/500
D626,419 S * 11/2010 Adamson D9/550
D786,076 S * 5/2017 Redondo D9/500
D815,527 S * 4/2018 Harris D9/500
D847,636 S * 5/2019 Harris D9/500
D847,646 S * 5/2019 Harris D9/516
D849,541 S * 5/2019 Harris D9/516
D850,266 S * 6/2019 Harris D9/516
D873,665 S * 1/2020 Yen D9/500

* cited by examiner

Primary Examiner — Dana Meyrow

(74) *Attorney, Agent, or Firm* — Stephen J. Stark; Miller & Martin PLLC

(57) **CLAIM**

The ornamental design for a bottle, as is shown and described herein.

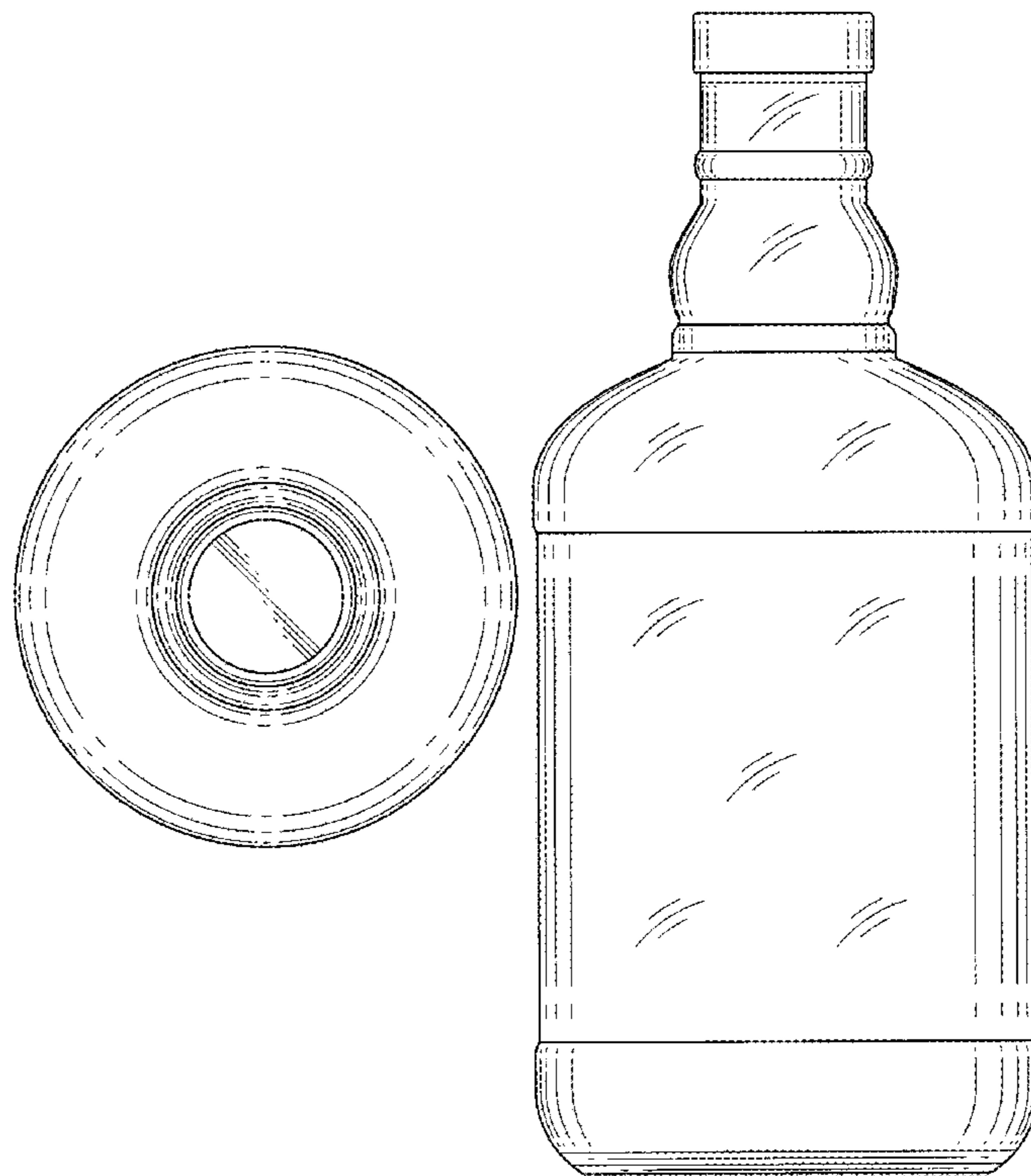
DESCRIPTION

FIG. 1 is a top perspective view of a bottle showing my new design;

FIG. 2 is a top plan view thereof; and,

FIG. 3 is a side elevation view thereof.

1 Claim, 3 Drawing Sheets



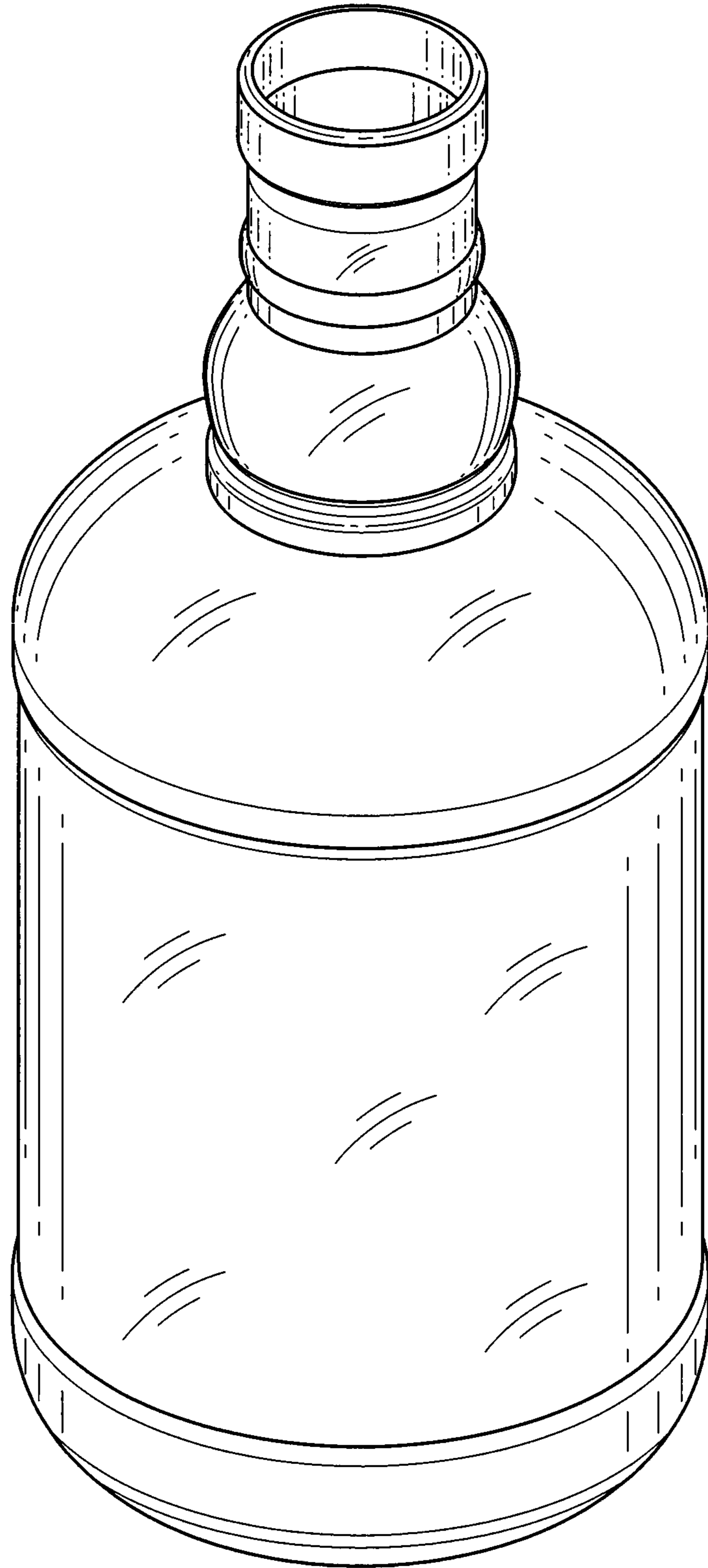


FIG. 1

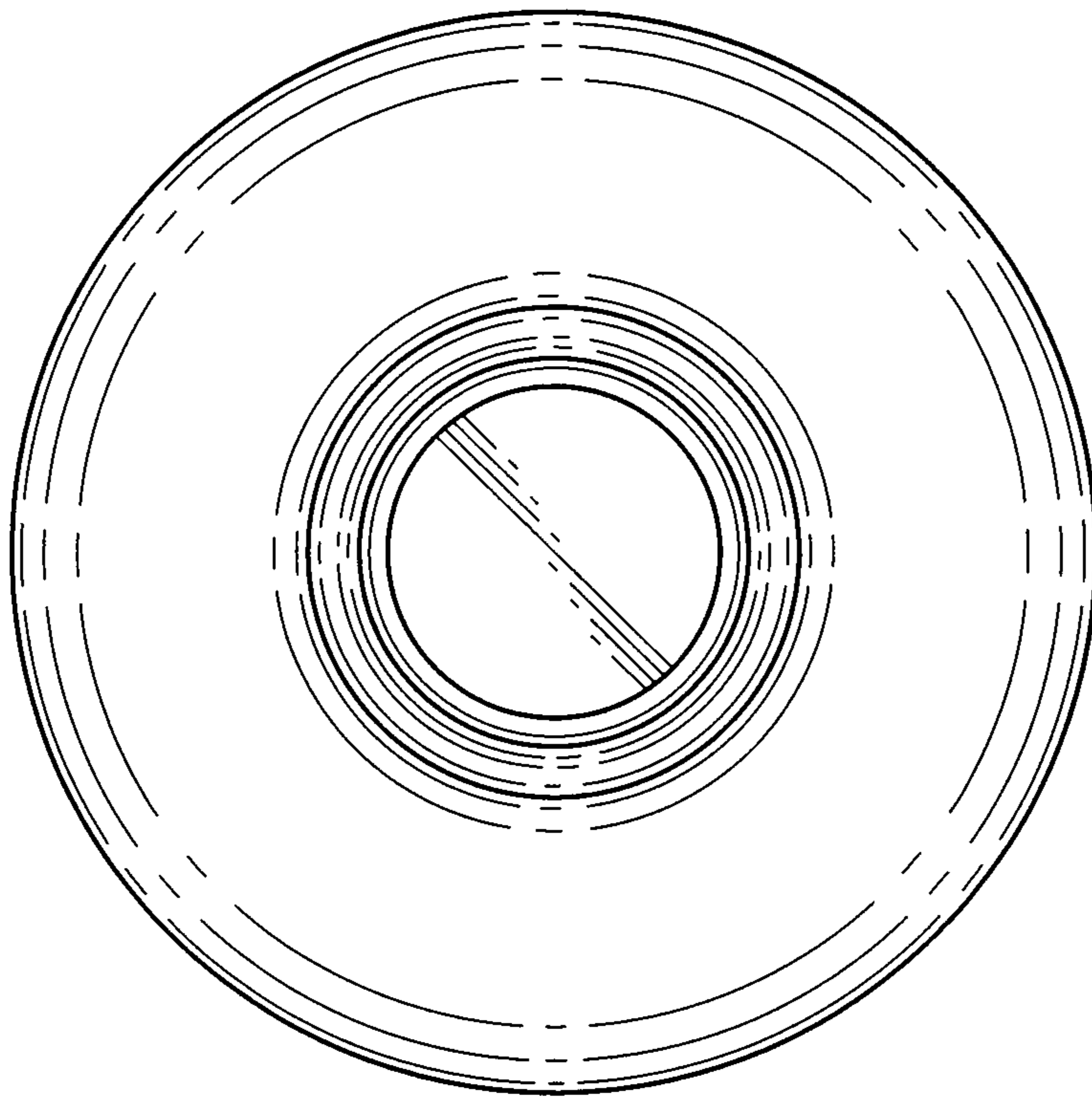


FIG. 2

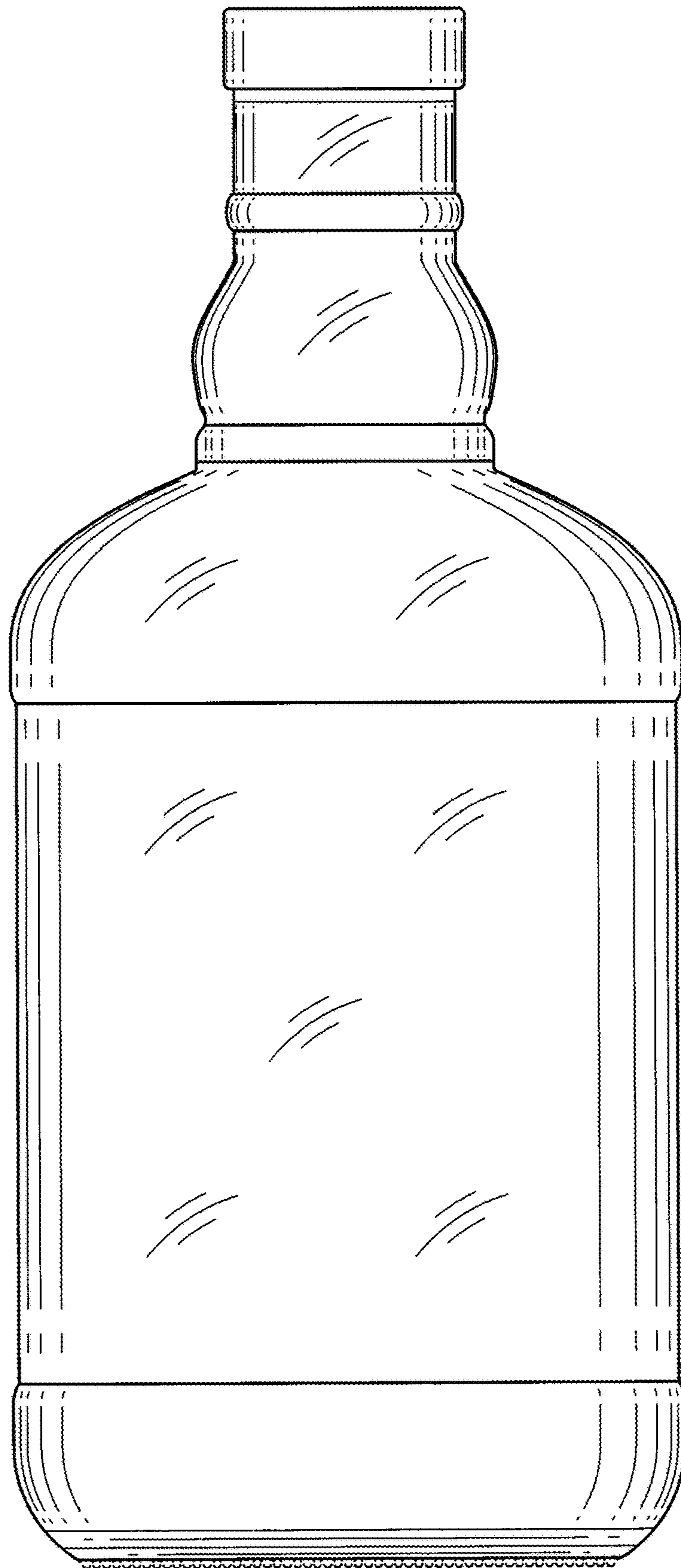


FIG. 3