



US00D906816S

(12) **United States Design Patent**
Yu

(10) **Patent No.:** **US D906,816 S**
(45) **Date of Patent:** **** Jan. 5, 2021**

(54) **PACKAGE BASE**

(71) Applicant: **TAIWAN FU HSING INDUSTRIAL CO., LTD.**, Kaohsiung (TW)

(72) Inventor: **Sheng-Shun Yu**, Kaohsiung (TW)

(73) Assignee: **Taiwan Fu Hsing Industrial Co., Ltd.**, Kaohsiung (TW)

(**) Term: **15 Years**

(21) Appl. No.: **29/706,117**

(22) Filed: **Sep. 18, 2019**

(30) **Foreign Application Priority Data**

Feb. 27, 2019 (TW) 108301131

(51) **LOC (13) Cl.** **09-07**

(52) **U.S. Cl.**
USPC **D9/456; D9/737**

(58) **Field of Classification Search**
USPC D9/414-416, 418, 420, 424-426,
D9/428-430, 432, 434, 435, 455-457,
D9/737

CPC .. B65D 75/323; B65D 75/367; B65D 5/5213;
B65D 75/36; B65D 81/113; B65D
5/4204; B65D 75/58; B65D 65/38; B65D
73/0035; B65D 2585/86; B65D 85/00;
B65D 25/54

See application file for complete search history.

(56) **References Cited**

U.S. PATENT DOCUMENTS

6,123,200 A * 9/2000 Stephens B65D 81/133
206/320
6,298,989 B1 * 10/2001 Chu B65D 81/025
206/320
D523,338 S * 6/2006 Hoge D9/456
7,341,152 B2 * 3/2008 Yoshimura B65D 81/056
206/521

D627,645 S * 11/2010 Ma D9/456
8,047,371 B2 * 11/2011 Li B65D 81/133
206/521
9,056,708 B2 * 6/2015 Smith B65D 81/05
D782,332 S * 3/2017 Kim D9/737
D810,585 S * 2/2018 Kim D9/737
D845,125 S * 4/2019 Patterson D9/435
D890,609 S * 7/2020 Glassman D9/456
2009/0114565 A1 * 5/2009 Dhuru B65D 5/0254
206/780
2013/0240403 A1 * 9/2013 Shih B65D 81/133
206/591
2013/0277261 A1 * 10/2013 Kinyon A61B 50/30
206/438
2016/0228676 A1 * 8/2016 Glithero A61B 90/94
2019/0092547 A1 * 3/2019 Sadowski B65D 77/26

* cited by examiner

Primary Examiner — Lauren R Calve

(74) *Attorney, Agent, or Firm* — Rosenberg, Klein & Lee

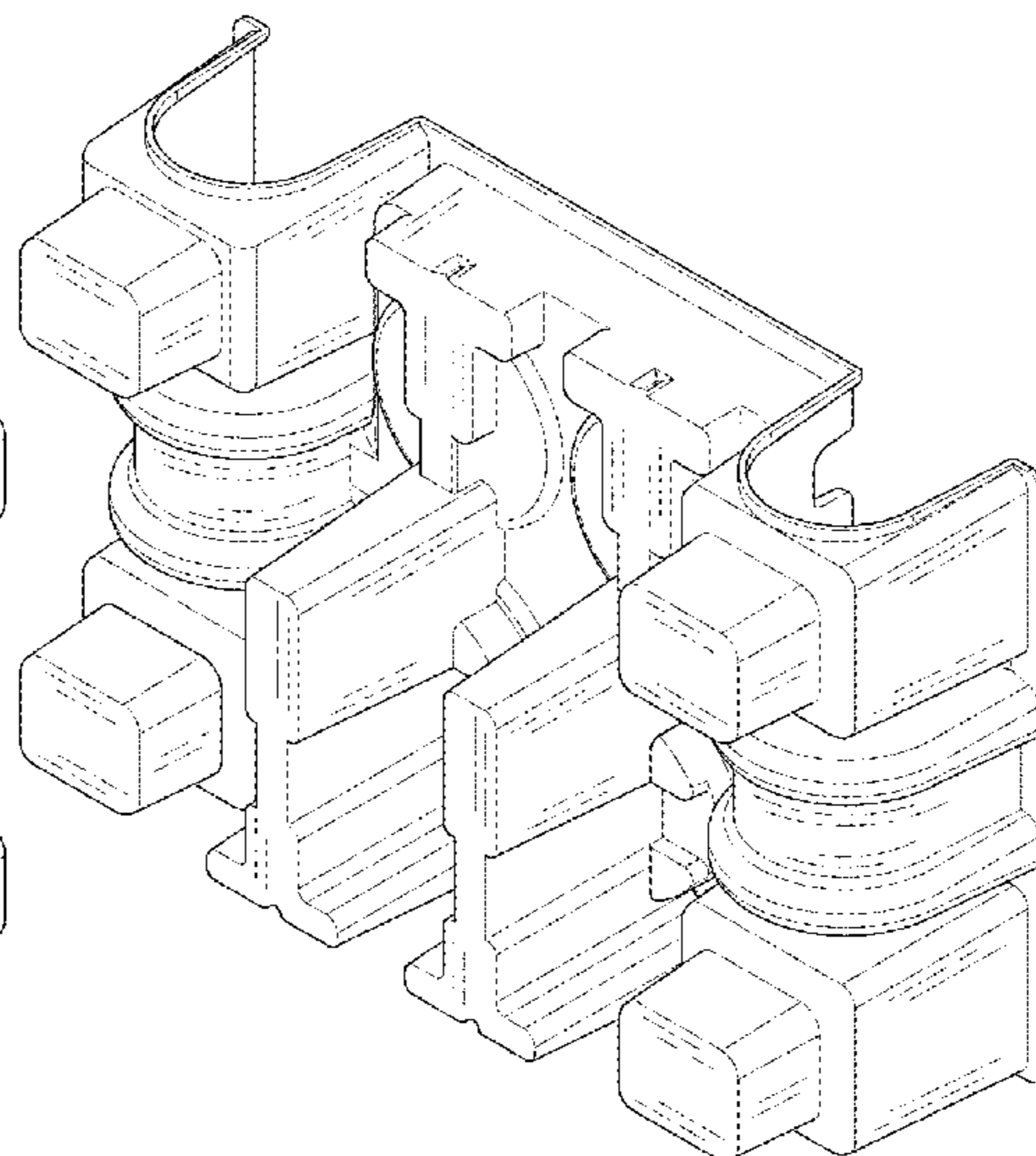
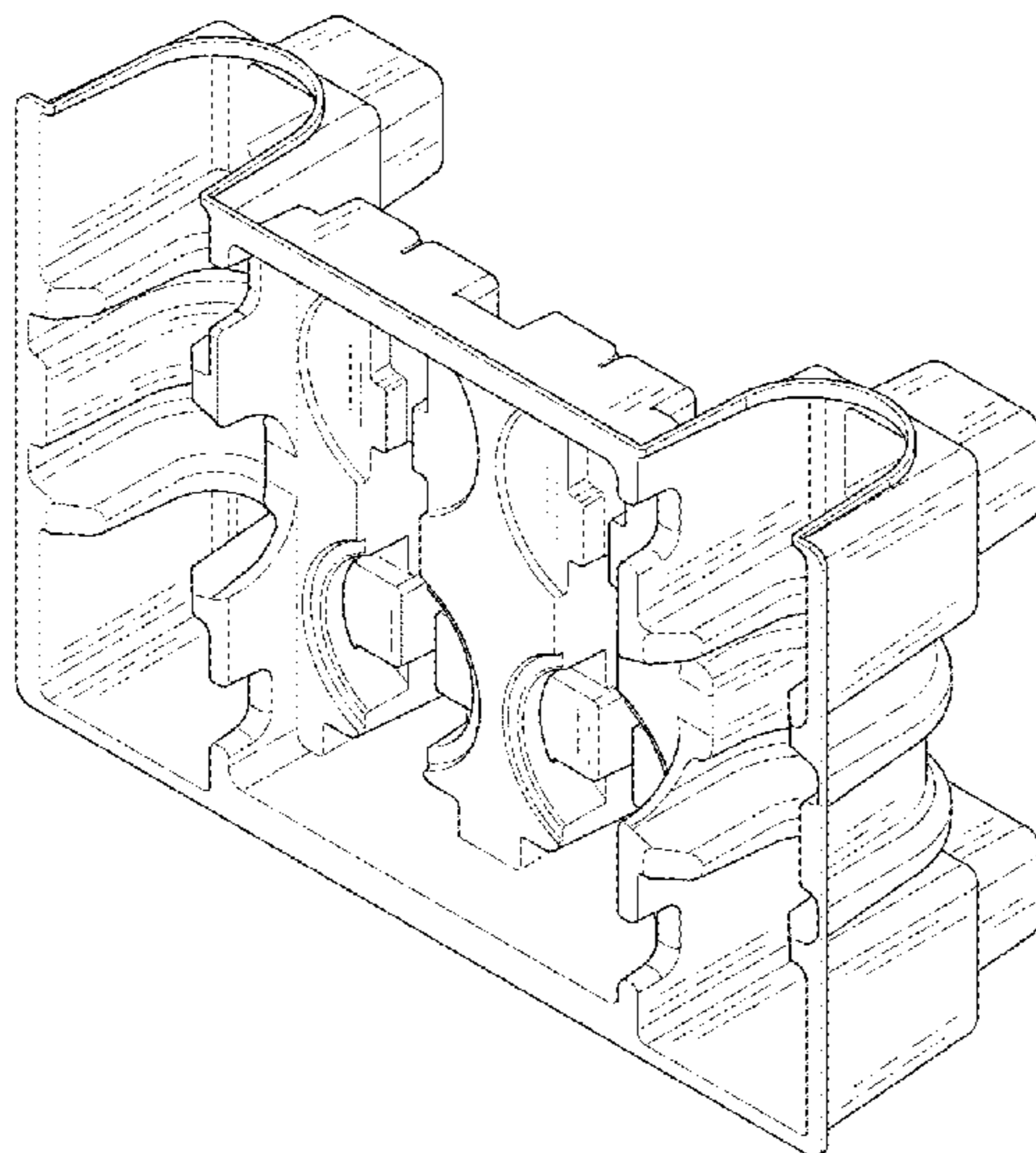
(57) **CLAIM**

The ornamental design for a package, base as shown and described.

DESCRIPTION

FIG. 1 is a front perspective view of the package base showing my new design;
FIG. 2 is another front perspective view thereof;
FIG. 3 is a front elevational view thereof;
FIG. 4 is a rear elevational view thereof;
FIG. 5 is a left side elevational view thereof;
FIG. 6 is a right side elevational view thereof;
FIG. 7 is a top plan view thereof;
FIG. 8 is a bottom plan view thereof;
FIG. 9 is a rear perspective view thereof;
FIG. 10 is another rear perspective view thereof; and,
FIG. 11 is a reference view illustrating usage.
The broken line illustration of environmental structure in the drawings form no part of the claimed design.

1 Claim, 11 Drawing Sheets



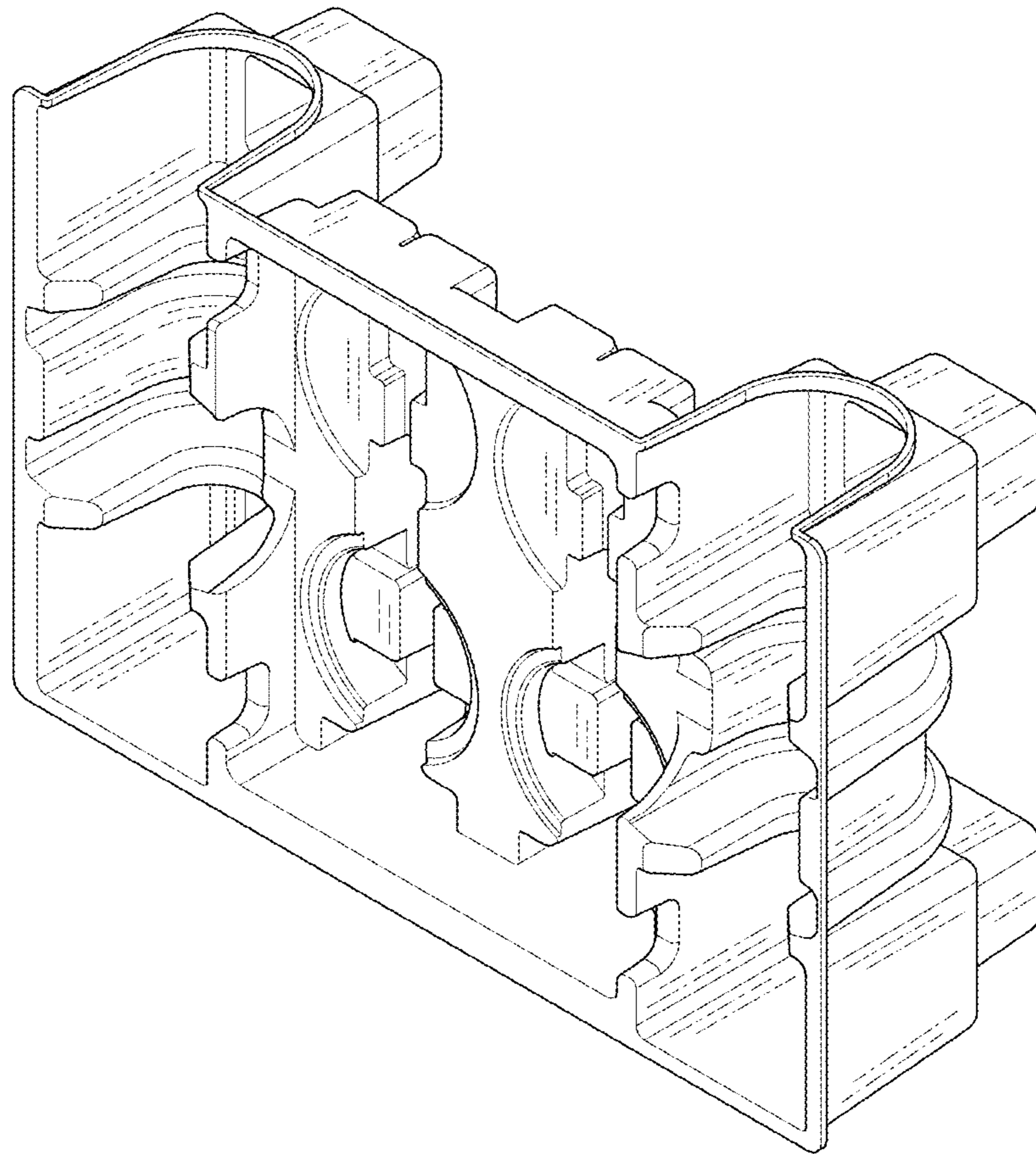


FIG.1

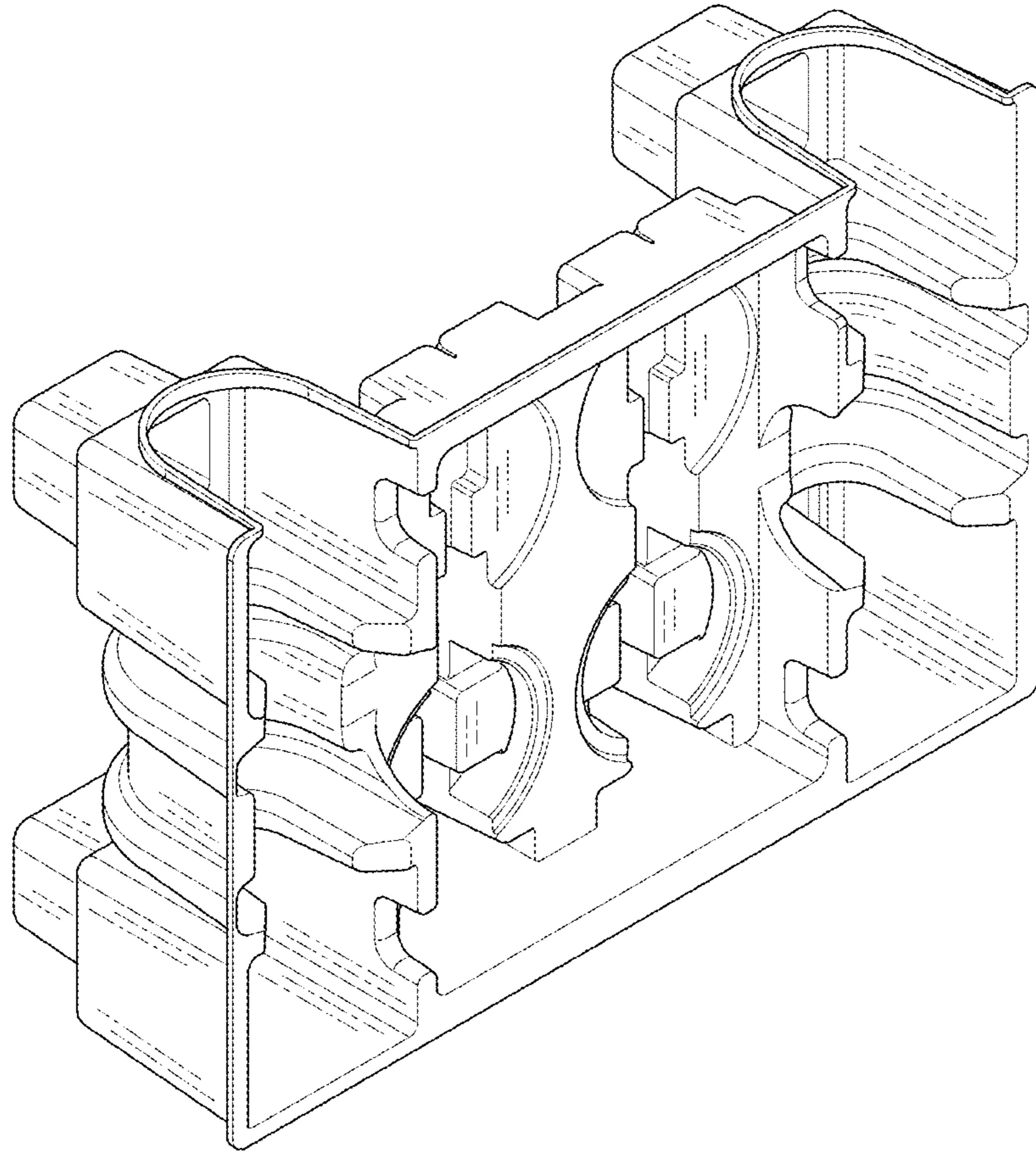


FIG.2

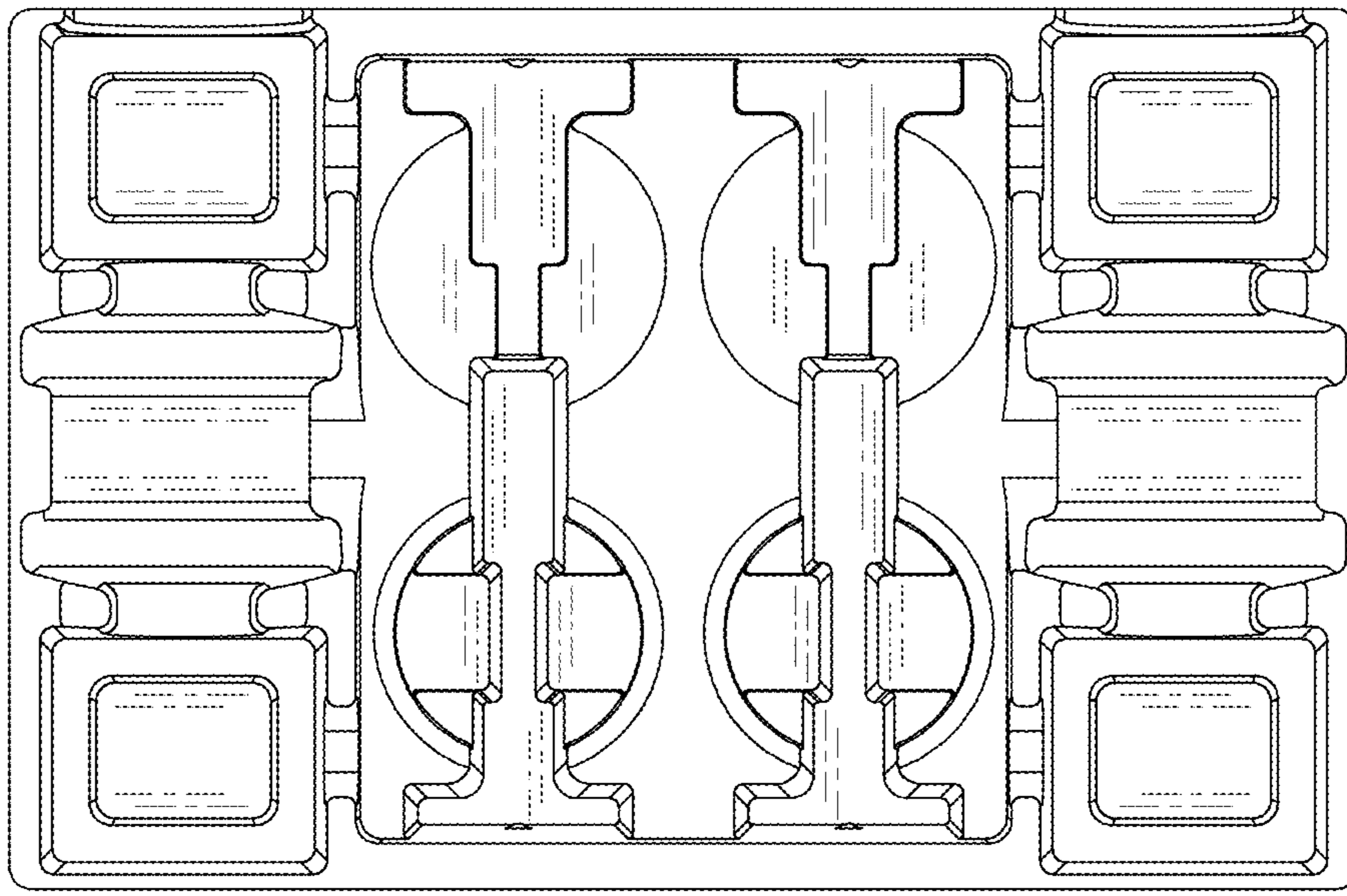


FIG.3

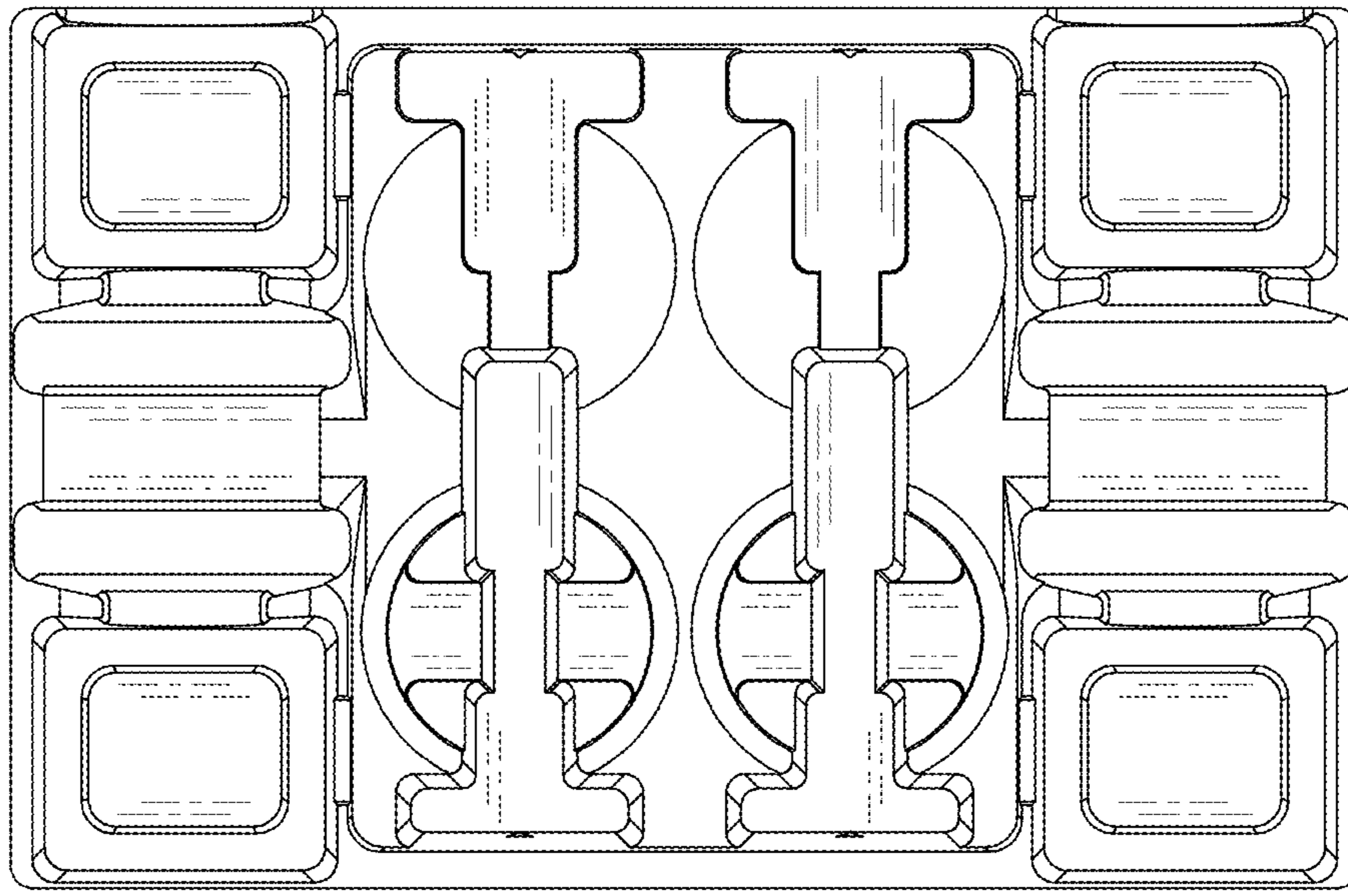


FIG.4

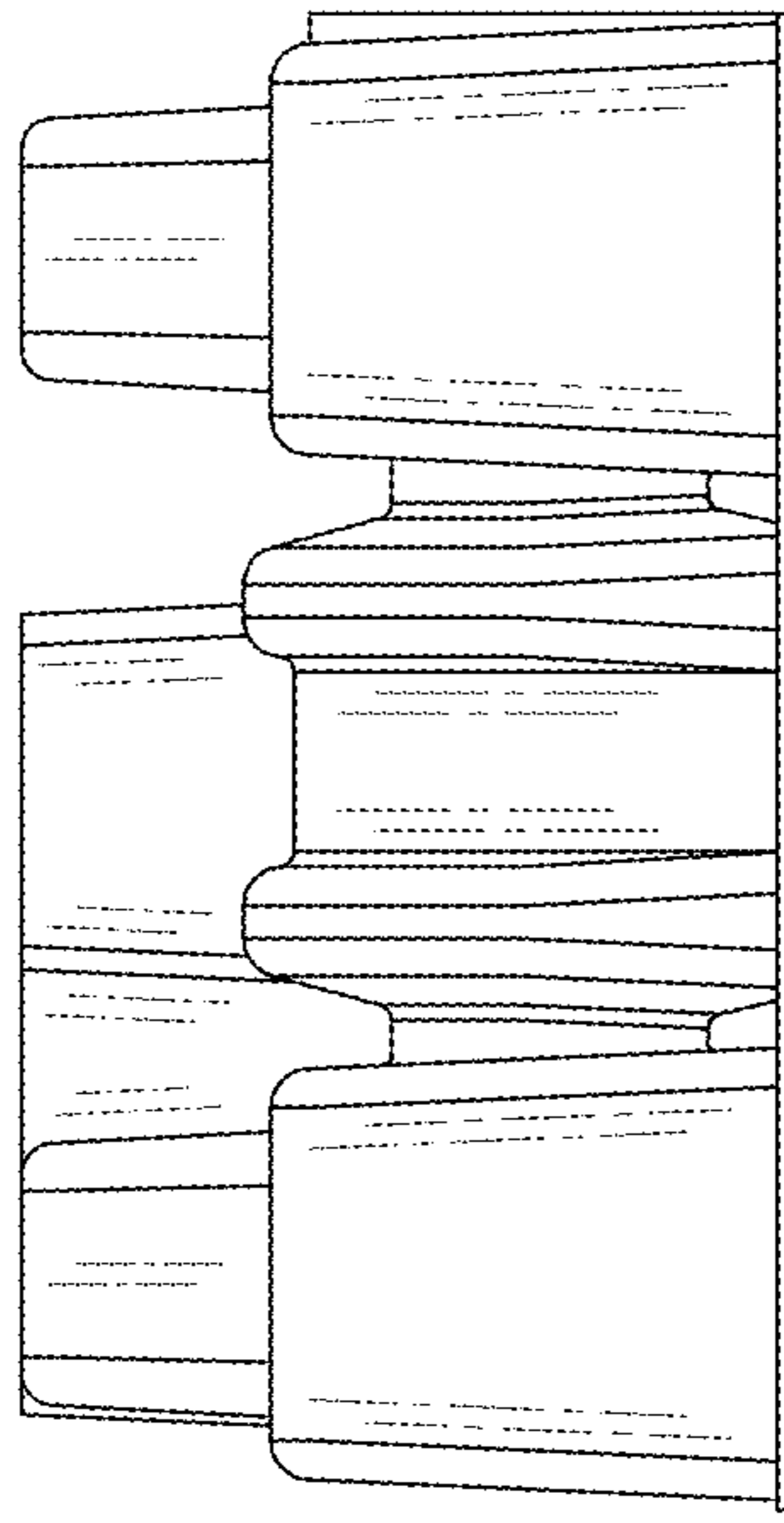


FIG.5

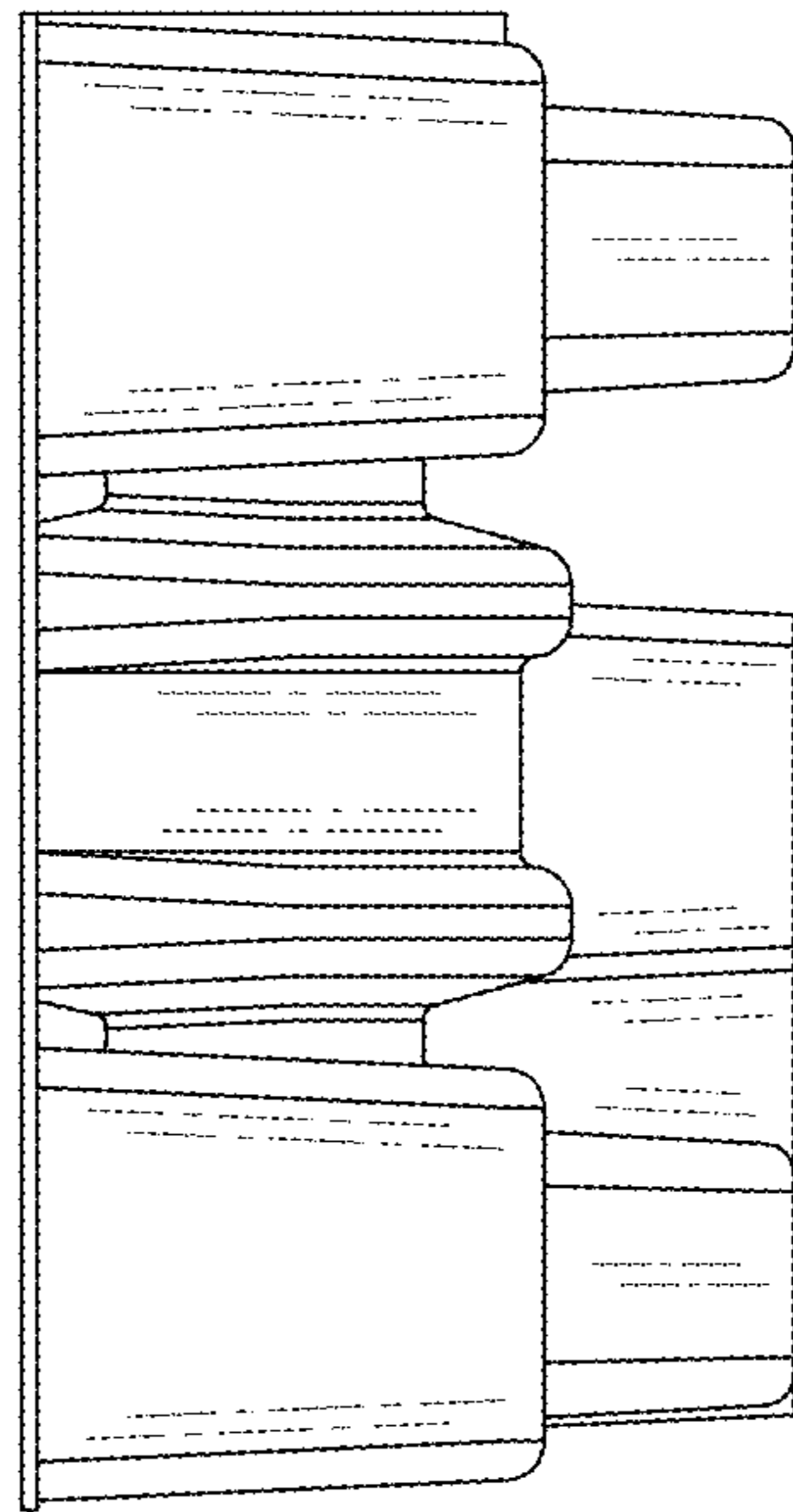


FIG.6

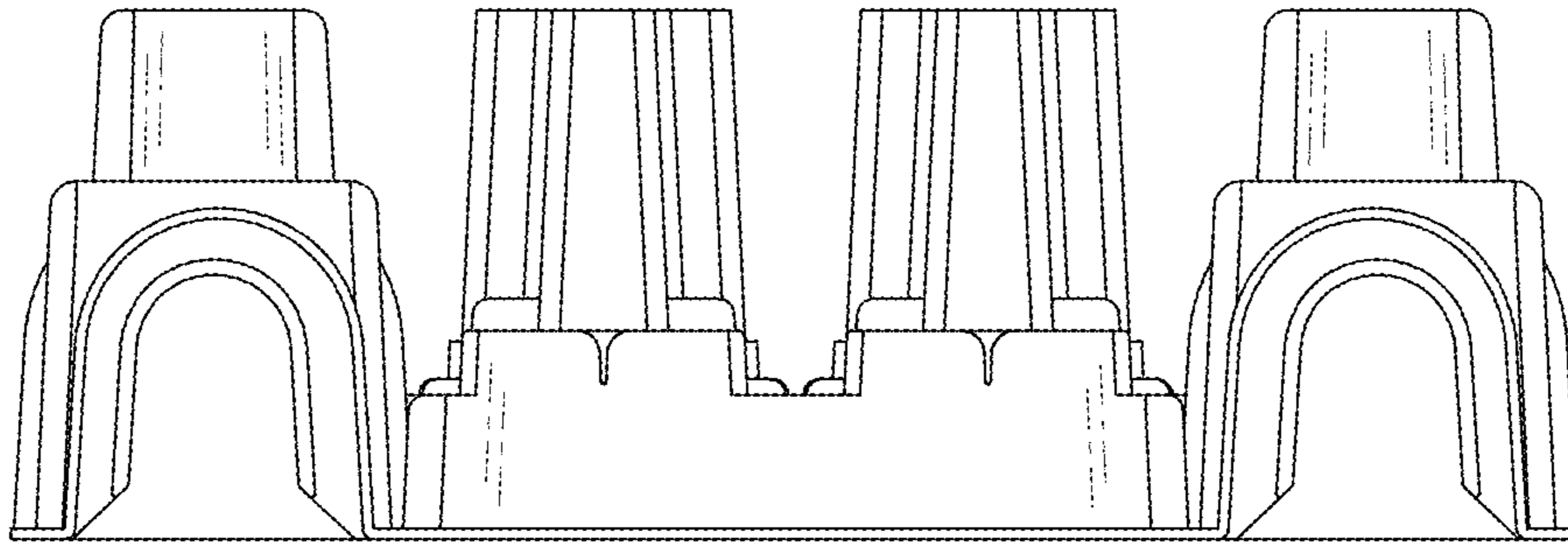


FIG.7

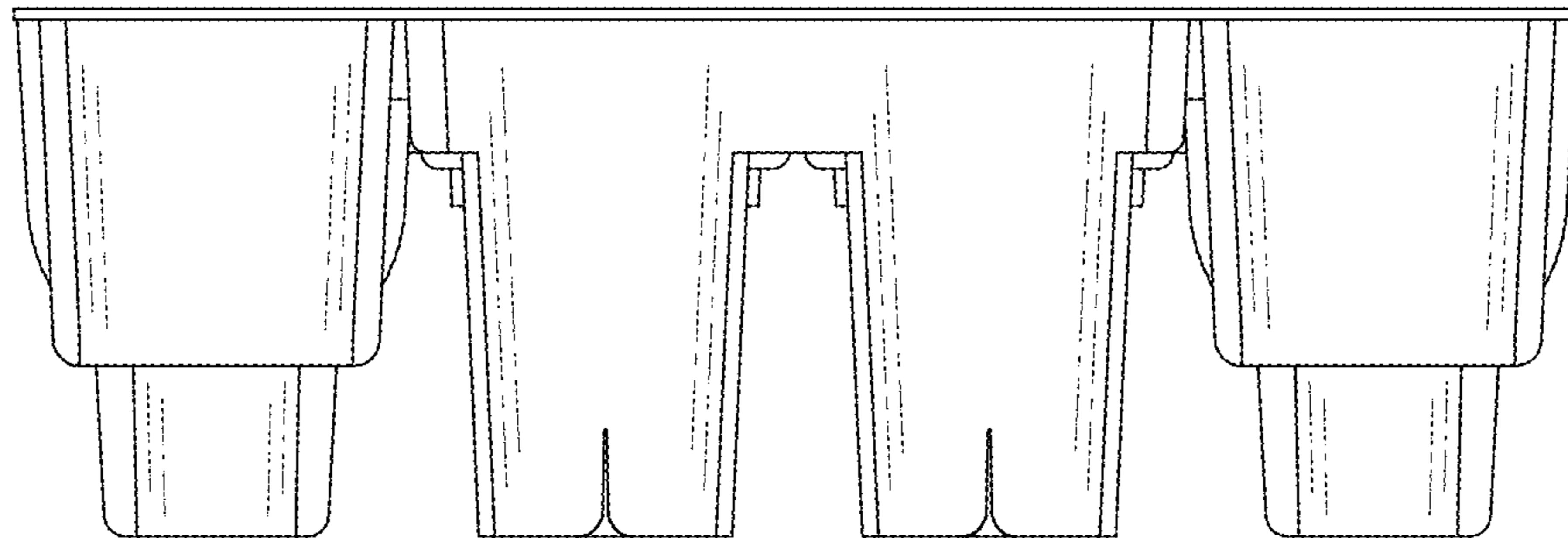


FIG.8

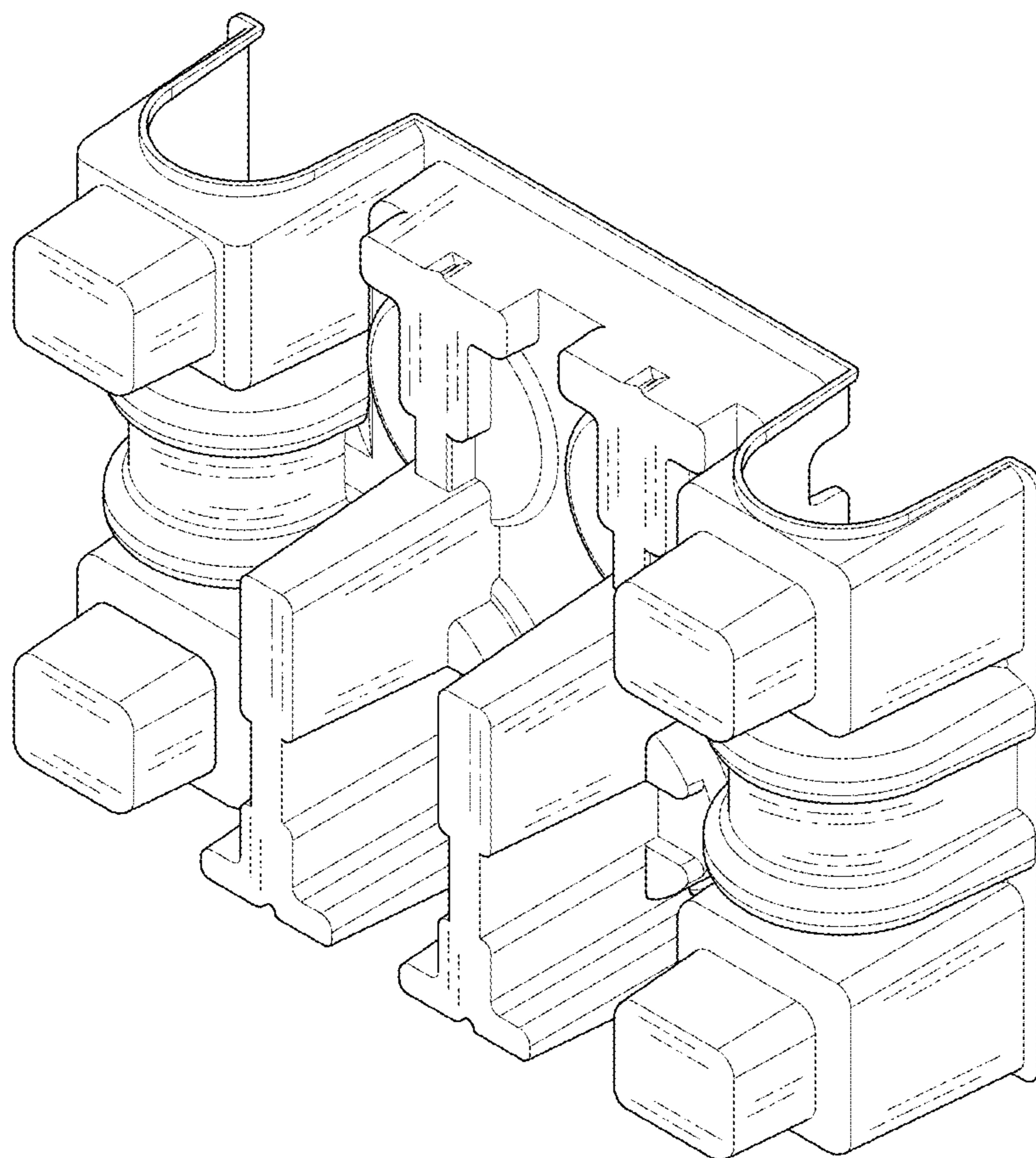


FIG.9

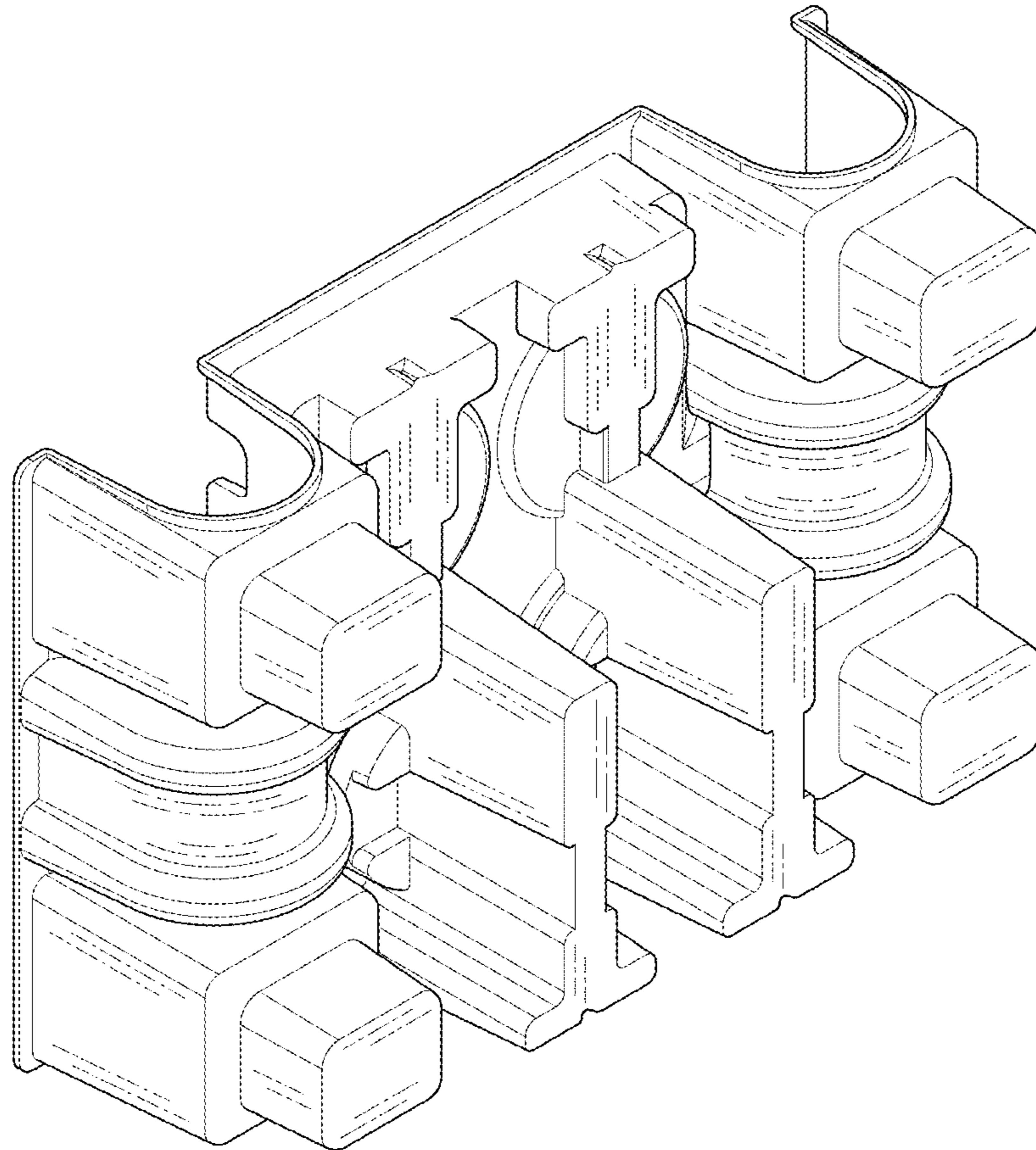


FIG.10

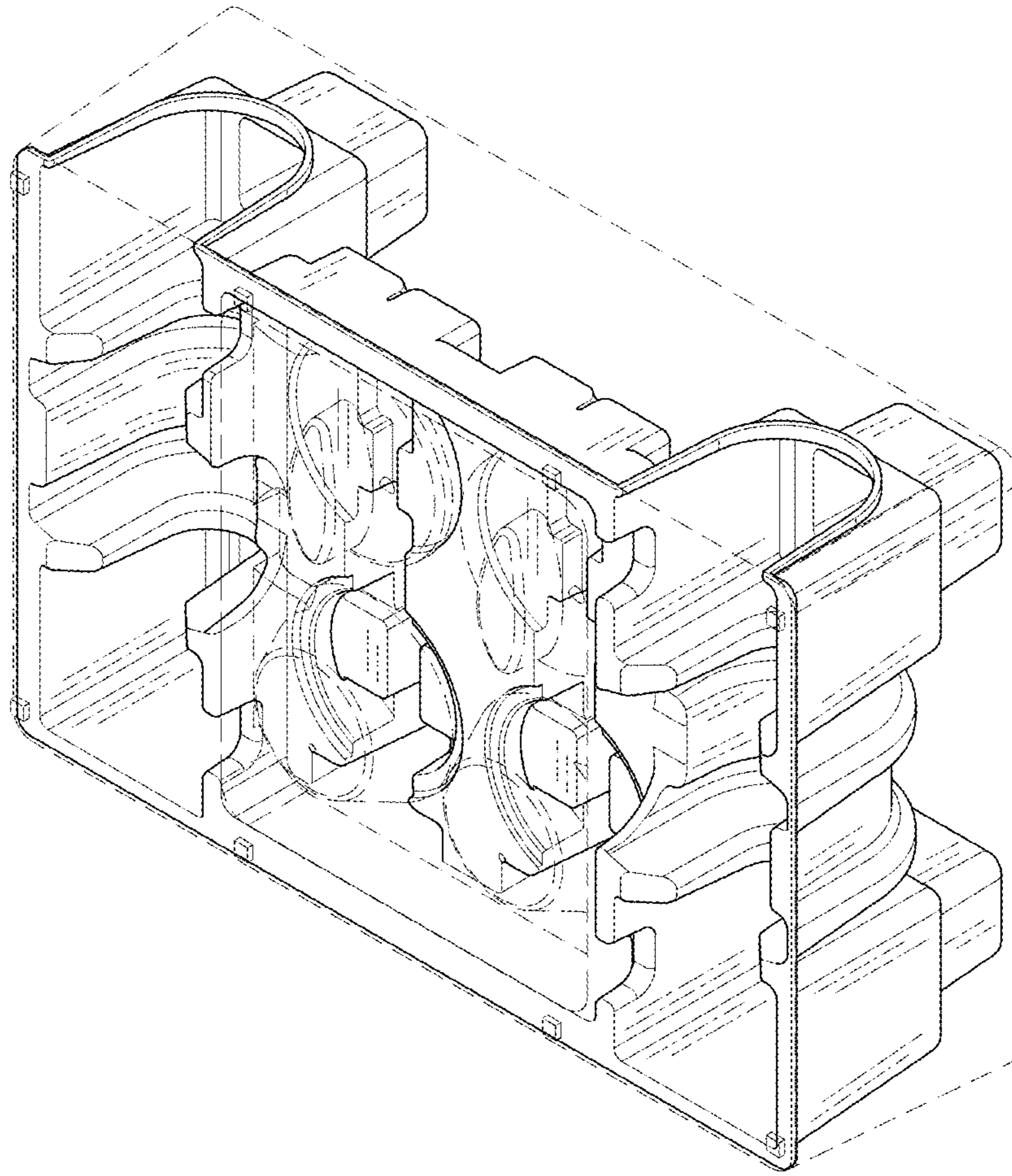


FIG.11