



US00D906815S

(12) **United States Design Patent**  
**Yu**

(10) **Patent No.:** **US D906,815 S**  
(45) **Date of Patent:** **\*\* Jan. 5, 2021**

(54) **PACKAGE BASE**

(71) Applicant: **TAIWAN FU HSING INDUSTRIAL CO., LTD.**, Kaohsiung (TW)

(72) Inventor: **Sheng-Shun Yu**, Kaohsiung (TW)

(73) Assignee: **Taiwan Fu Hsing Industrial Co., Ltd.**, Kaohsiung (TW)

(\*\*) Term: **15 Years**

(21) Appl. No.: **29/706,114**

(22) Filed: **Sep. 18, 2019**

(30) **Foreign Application Priority Data**

Feb. 27, 2019 (TW) ..... 108301132

(51) **LOC (13) Cl.** ..... **09-07**

(52) **U.S. Cl.**  
USPC ..... **D9/456; D9/737**

(58) **Field of Classification Search**  
USPC ..... D9/414-416, 418, 420, 424-426,  
D9/428-430, 432, 434, 435, 455-457,  
D9/737

CPC .. B65D 75/323; B65D 75/367; B65D 5/5213;  
B65D 75/36; B65D 81/113; B65D  
5/4204; B65D 75/58; B65D 65/38; B65D  
73/0035; B65D 2585/86; B65D 85/00;  
B65D 25/54

See application file for complete search history.

(56) **References Cited**

**U.S. PATENT DOCUMENTS**

6,123,200 A \* 9/2000 Stephens ..... B65D 81/133  
206/320  
6,298,989 B1 \* 10/2001 Chu ..... B65D 81/025  
206/320  
D523,338 S \* 6/2006 Hoge ..... D9/456  
7,341,152 B2 \* 3/2008 Yoshimura ..... B65D 81/056  
206/521

D627,645 S \* 11/2010 Ma ..... D9/456  
8,047,371 B2 \* 11/2011 Li ..... B65D 81/133  
206/521  
9,056,708 B2 \* 6/2015 Smith ..... B65D 81/05  
D782,332 S \* 3/2017 Kim ..... D9/737  
D810,585 S \* 2/2018 Kim ..... D9/737  
D845,125 S \* 4/2019 Patterson ..... D9/435  
D890,609 S \* 7/2020 Glassman ..... D9/456  
2009/0114565 A1 \* 5/2009 Dhuru ..... B65D 5/0254  
206/780  
2013/0240403 A1 \* 9/2013 Shih ..... B65D 81/133  
206/591  
2013/0277261 A1 \* 10/2013 Kinyon ..... A61B 50/30  
206/438  
2016/0228676 A1 \* 8/2016 Glithero ..... A61B 90/94  
2019/0092547 A1 \* 3/2019 Sadowski ..... B65D 77/26

\* cited by examiner

*Primary Examiner* — Lauren R Calve

(74) *Attorney, Agent, or Firm* — Rosenberg, Klein & Lee

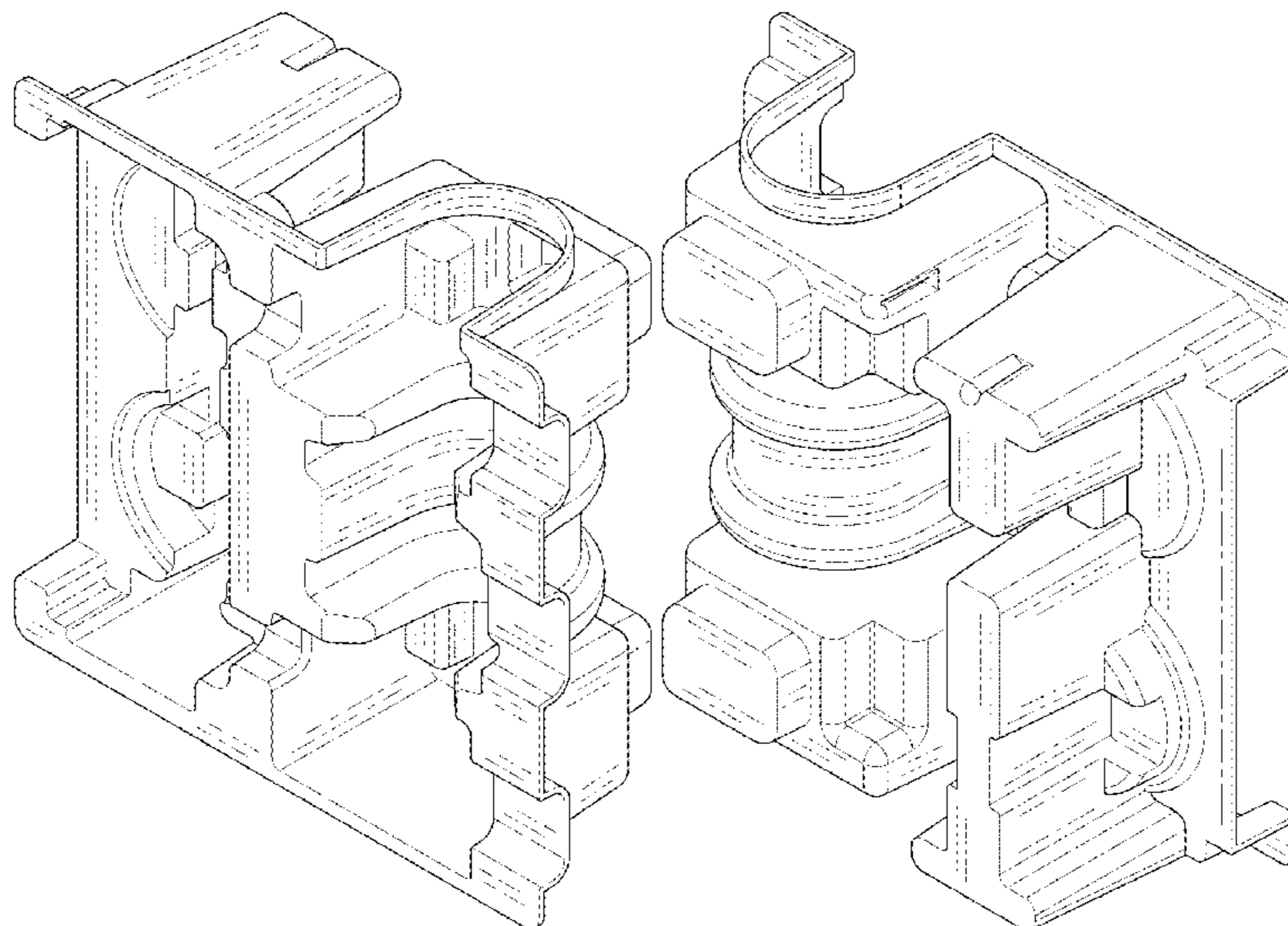
(57) **CLAIM**

The ornamental design for a package base, as shown and described.

**DESCRIPTION**

FIG. 1 is a front perspective view of the package base showing my new design;  
FIG. 2 is another front perspective view thereof;  
FIG. 3 is a front elevational view thereof;  
FIG. 4 is a rear elevational view thereof;  
FIG. 5 is a left side elevational view thereof;  
FIG. 6 is a right side elevational view thereof;  
FIG. 7 is a top plan view thereof;  
FIG. 8 is a bottom plan view thereof;  
FIG. 9 is a rear perspective view thereof;  
FIG. 10 is another rear perspective view thereof; and,  
FIG. 11 is a reference view illustrating usage.  
The broken line illustration of environmental structure in the drawings form no part of the claimed design.

**1 Claim, 11 Drawing Sheets**



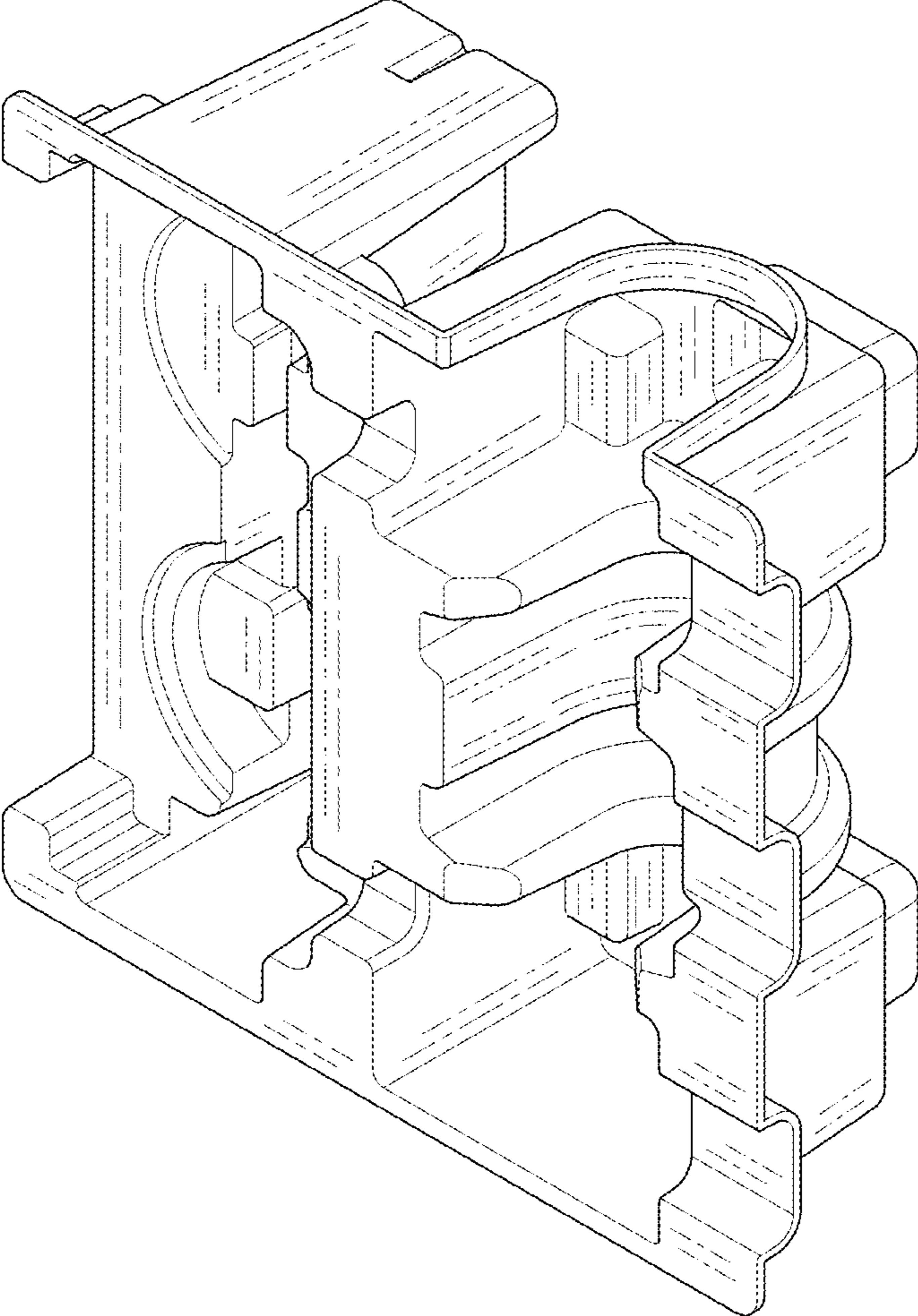


FIG.1

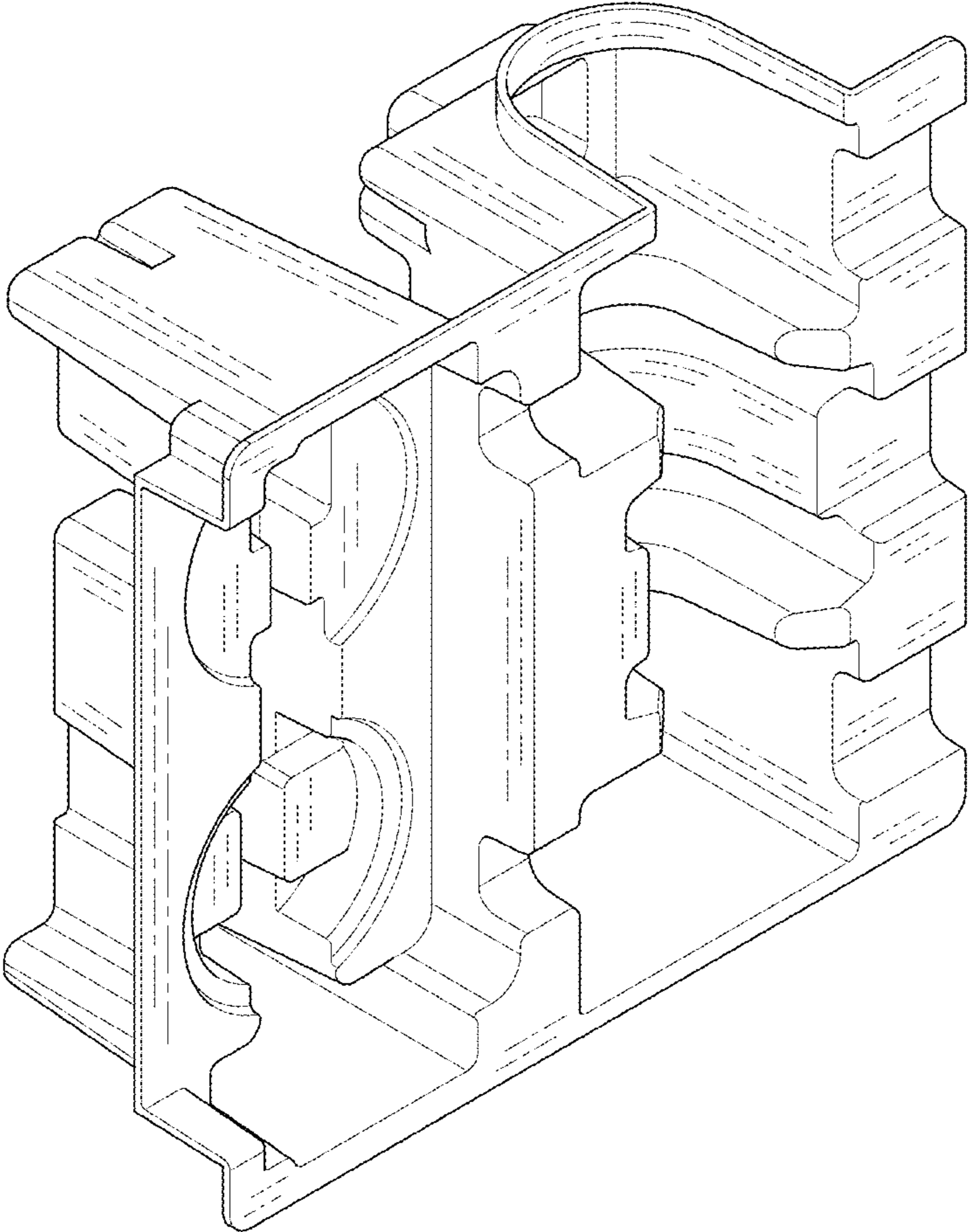


FIG.2

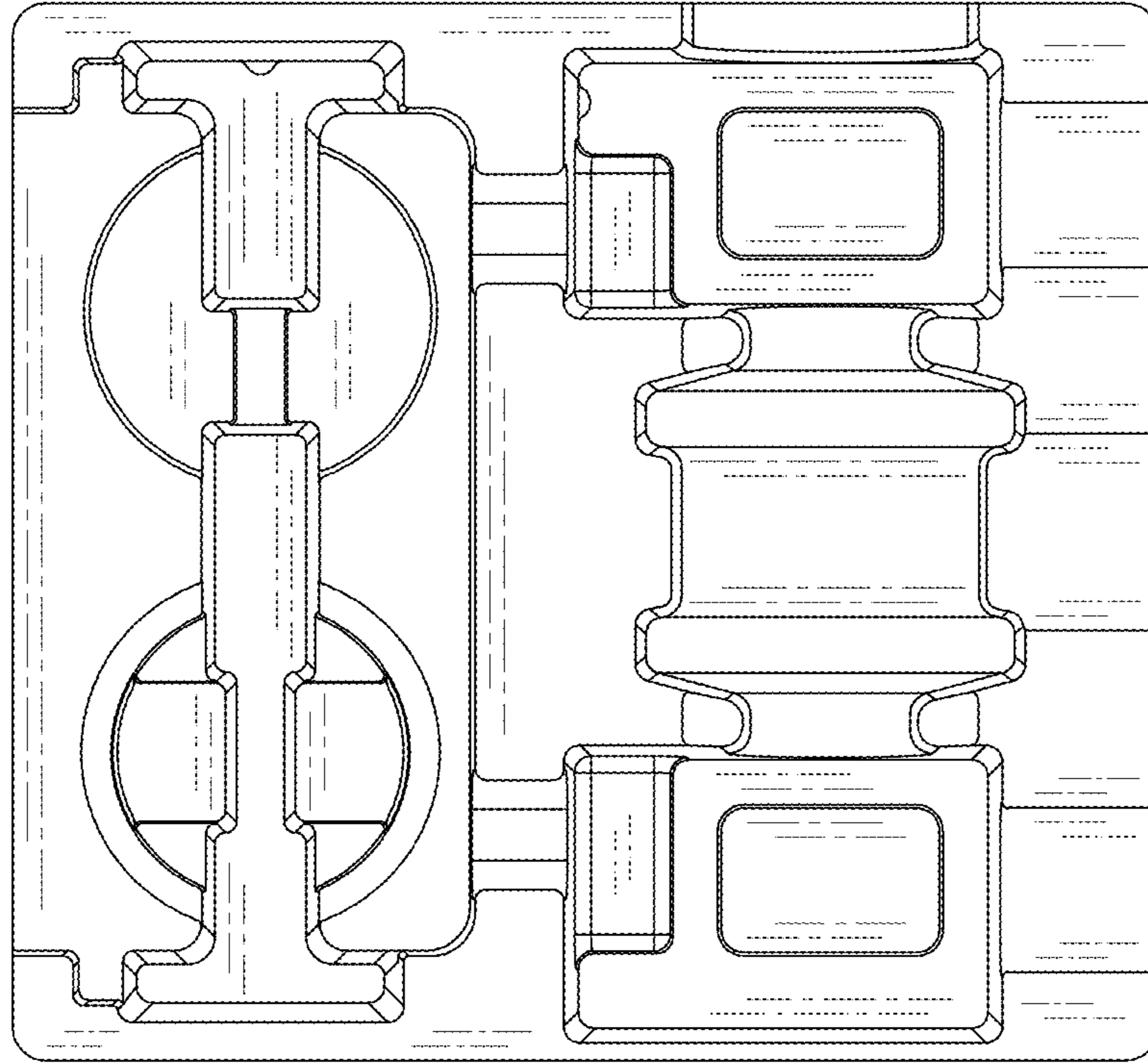


FIG.3

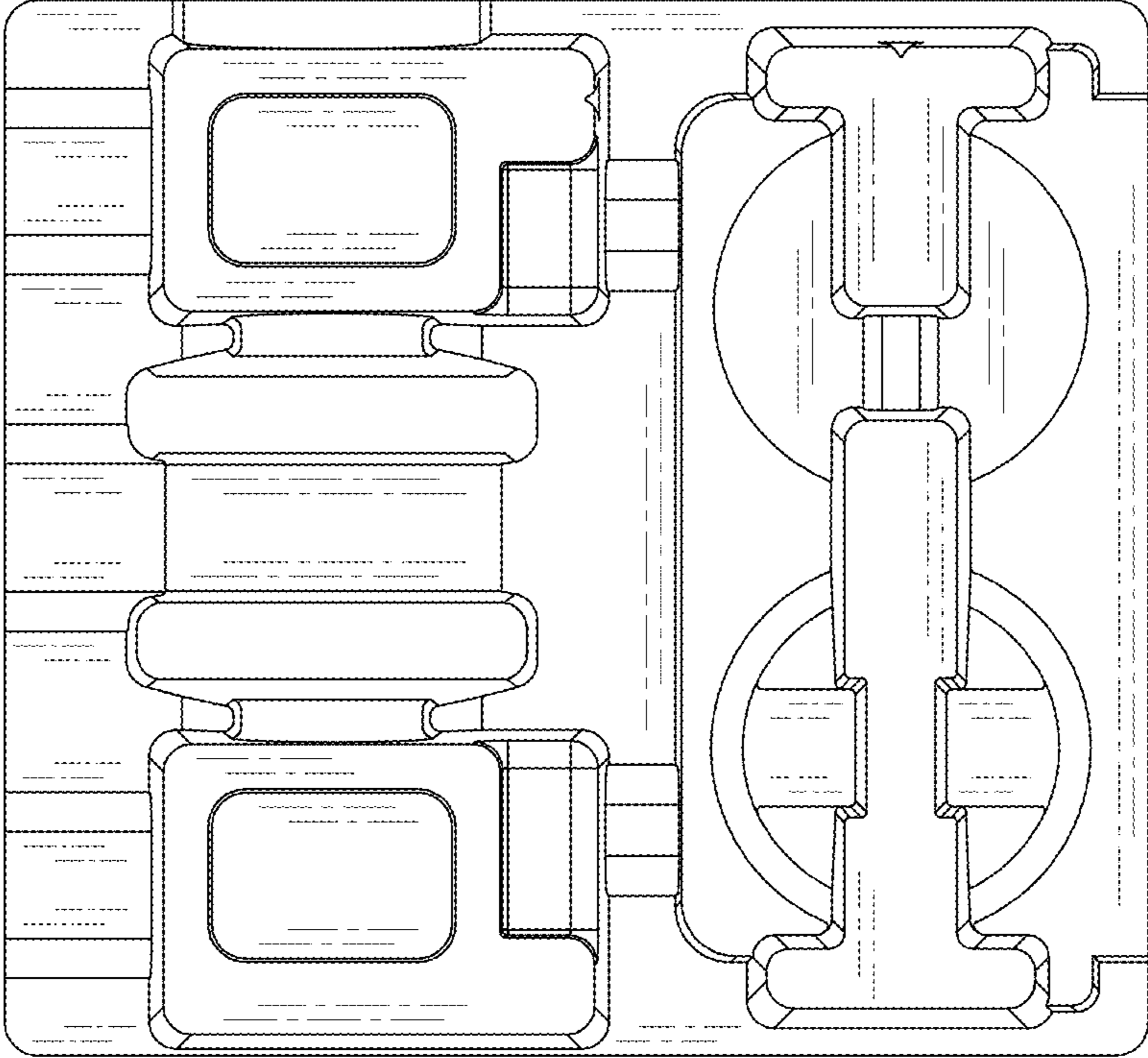


FIG.4

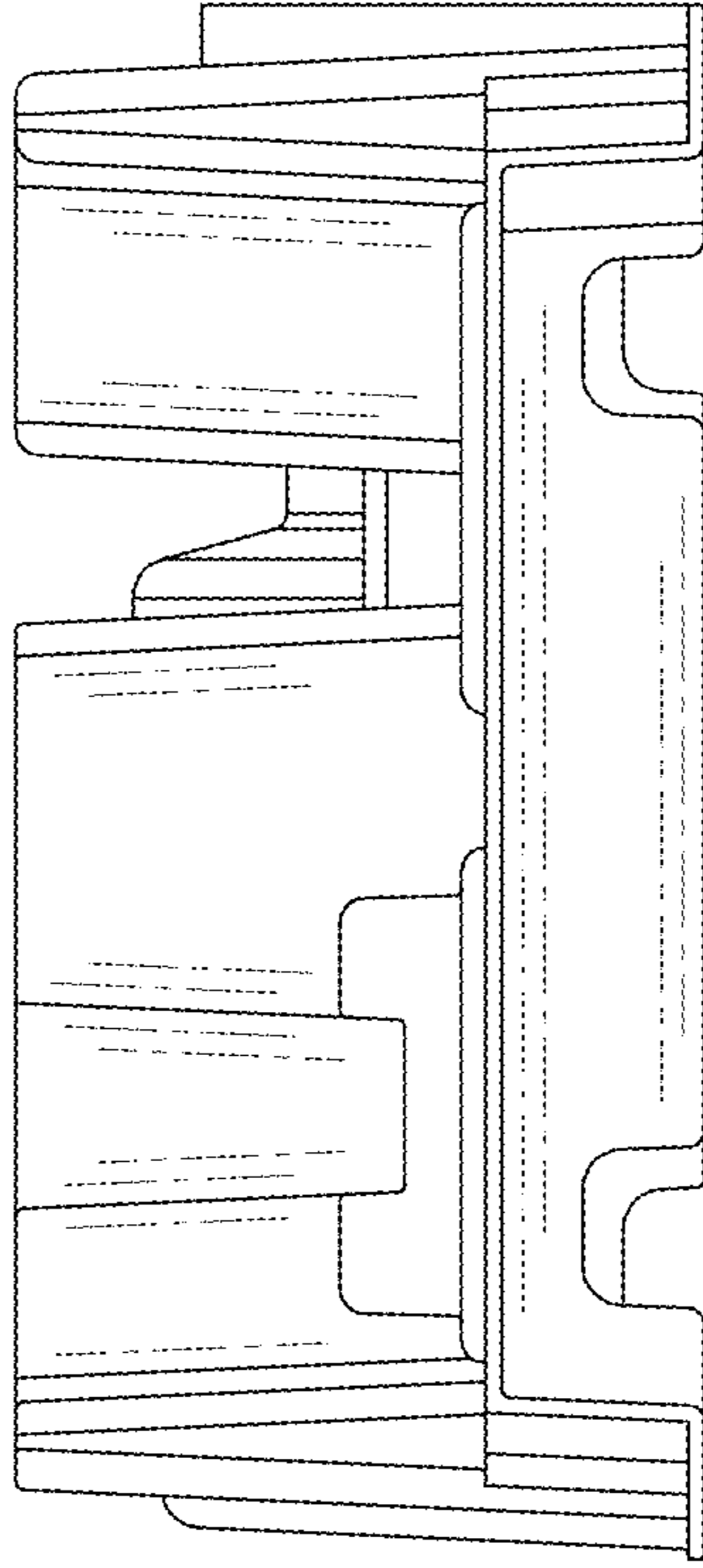


FIG.5

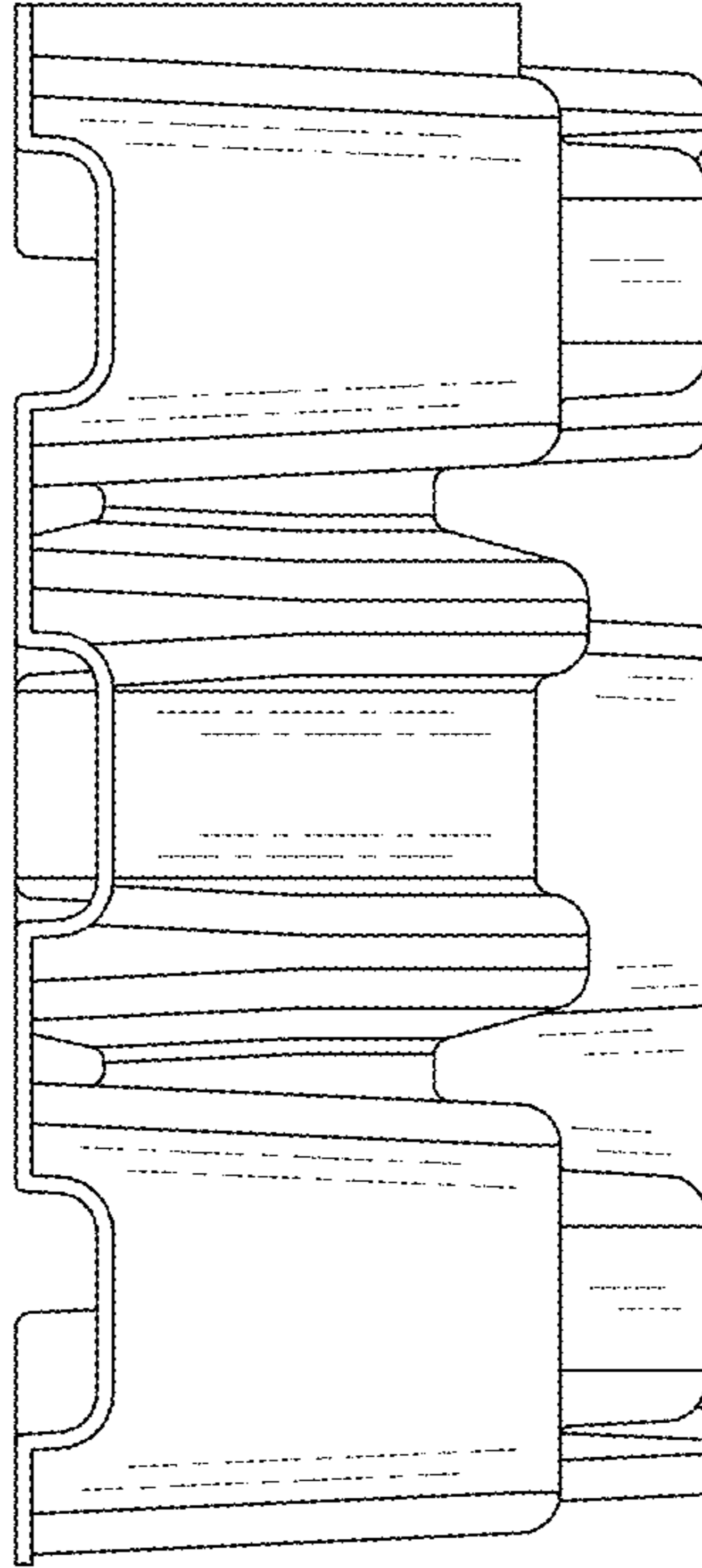


FIG.6

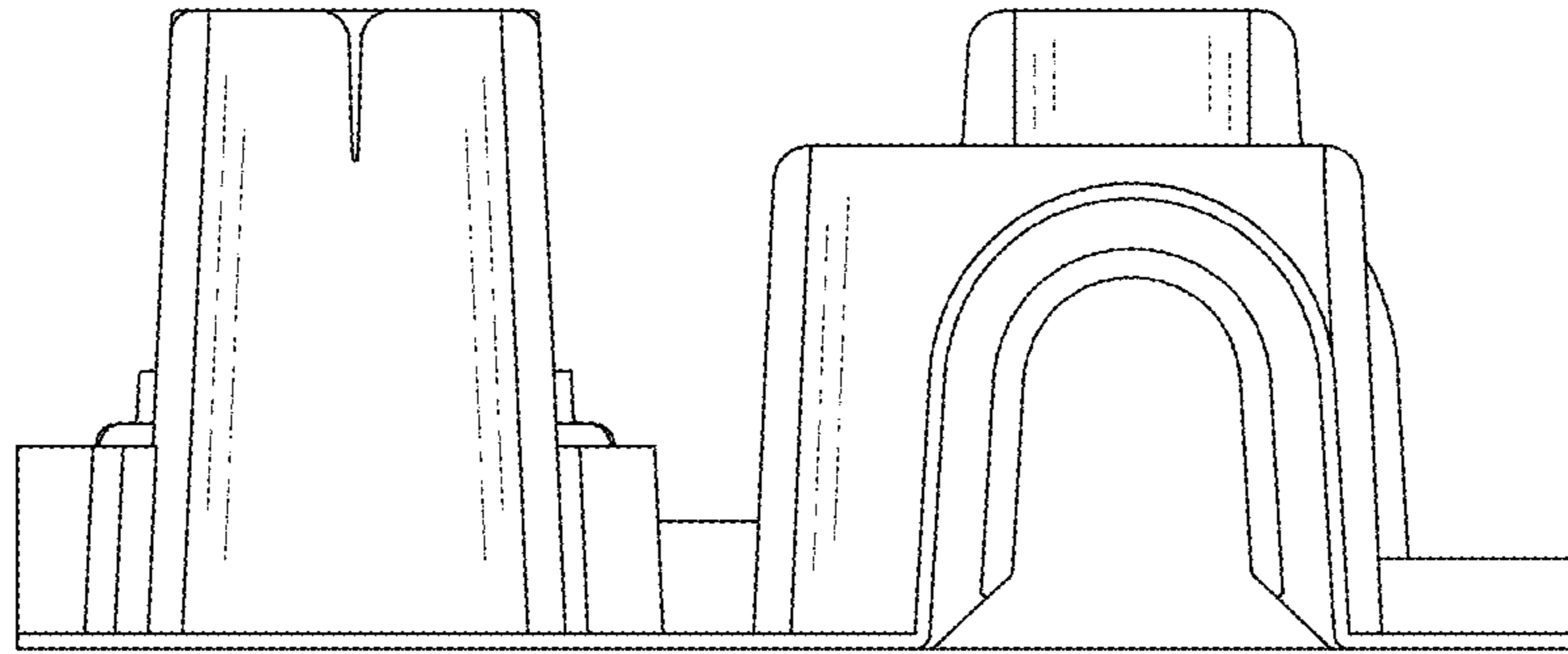


FIG.7



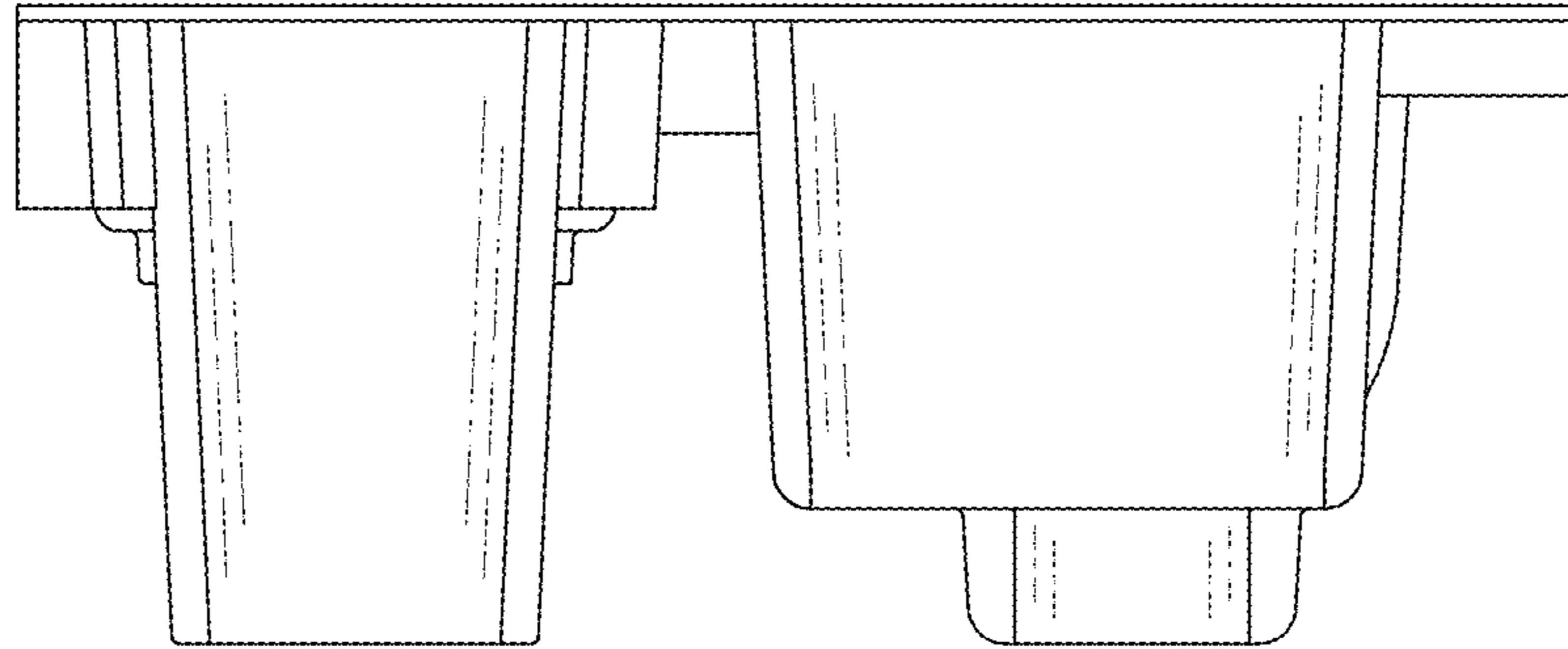


FIG.8

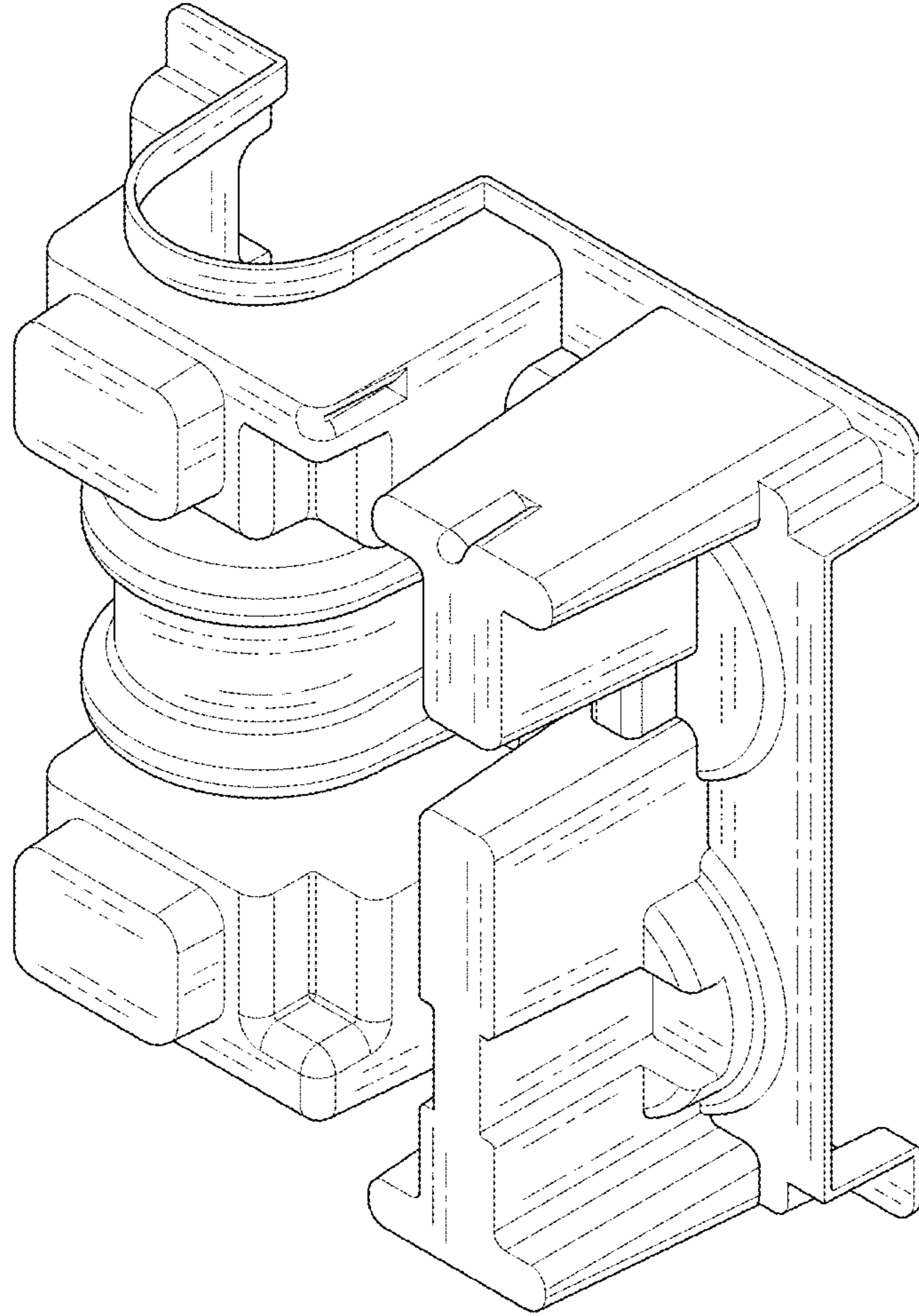


FIG.9

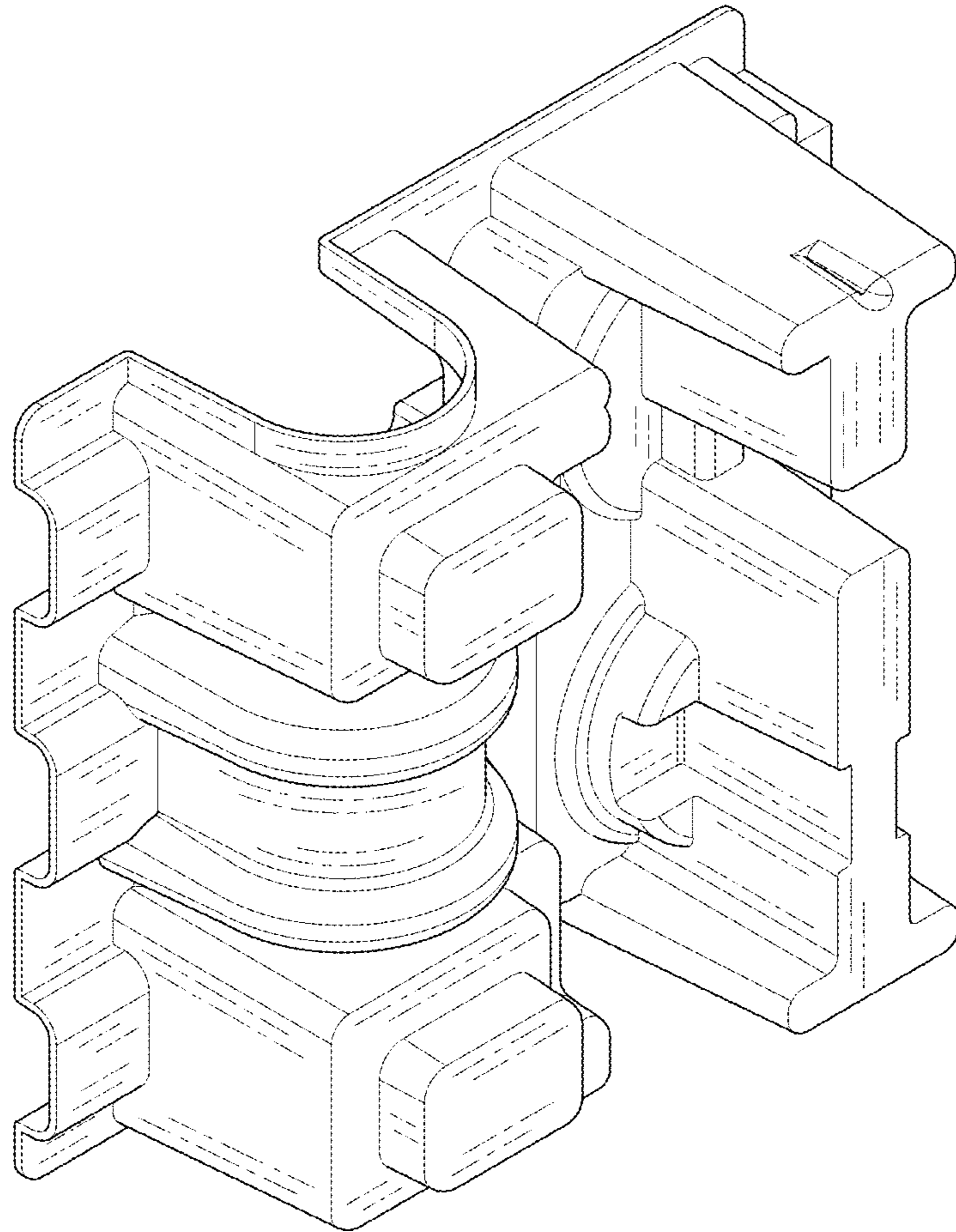


FIG.10

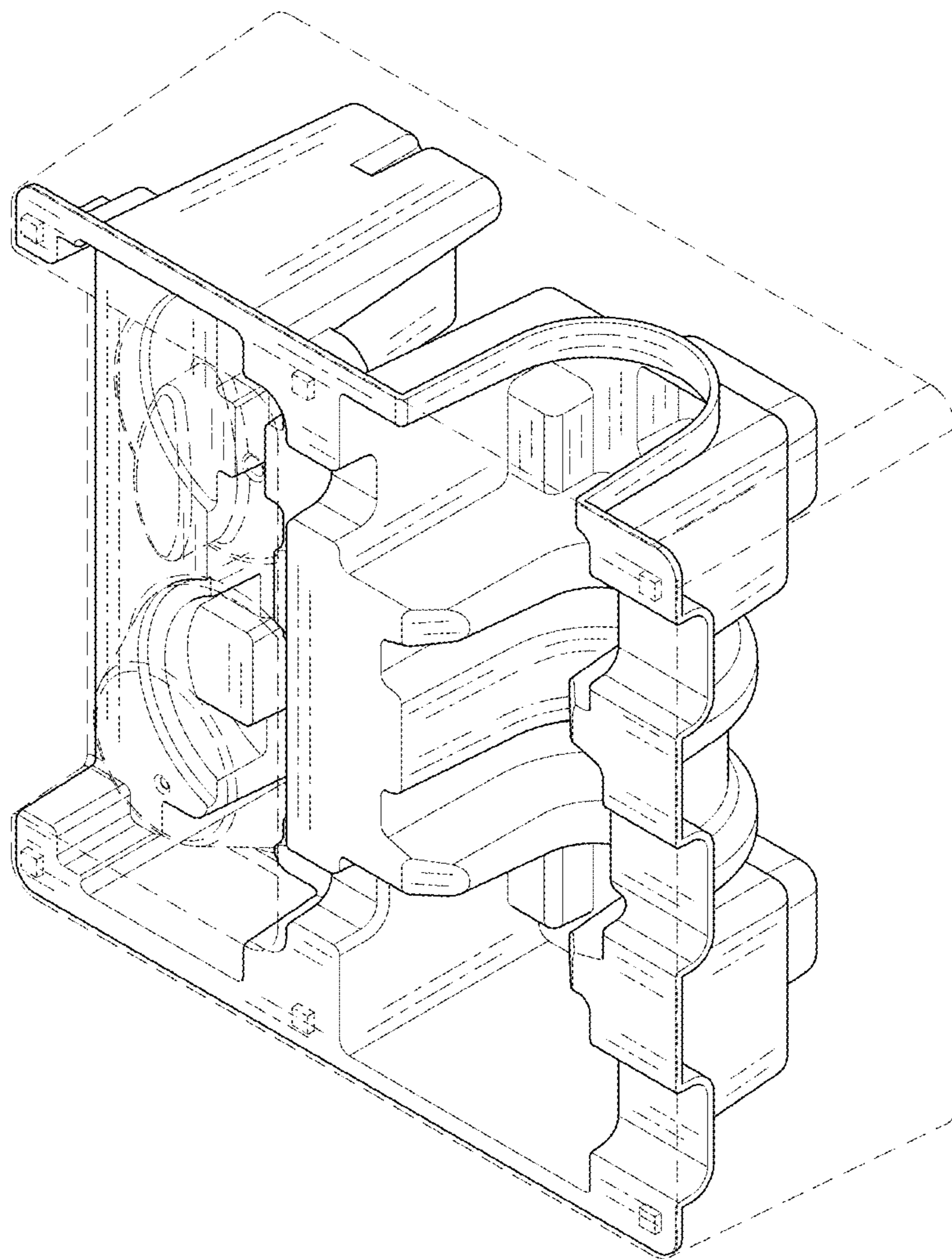


FIG.11