



US00D906811S

(12) **United States Design Patent** (10) **Patent No.:** **US D906,811 S**
Mandell et al. (45) **Date of Patent:** **** Jan. 5, 2021**

(54) **CLOSURE**

D840,812 S * 2/2019 Holmes D9/443
D840,813 S * 2/2019 Holmes D9/443
D880,670 S * 4/2020 Mecker D23/366

(71) Applicant: **S. C. Johnson & Son, Inc.**, Racine, WI (US)

FOREIGN PATENT DOCUMENTS

(72) Inventors: **Jonathan N. Mandell**, Gurnee, IL (US); **Jeffrey R. Susalla**, South Milwaukee, WI (US); **Donald J. Schumacher**, Milwaukee, WI (US); **Sabrina Adami**, Hard (AT); **Wolfram Steurer**, Hard (AT)

CN 303639542 S 4/2016
CN 304208636 S 7/2017
CN 305059428 S 3/2019
EM 0027400920001 10/2015
EM 0035607540002 1/2017

(Continued)

(73) Assignee: **S. C. Johnson & Son, Inc.**, Racine, WI (US)

OTHER PUBLICATIONS

(**) Term: **15 Years**

Michael Ferrari-Fontana. Toothpaste Caps. May 22, 2013. <http://michaelferrari-fontana.blogspot.com/2013/05/toothpaste-caps.html> (Year: 2013).*

(Continued)

(21) Appl. No.: **29/694,518**

Primary Examiner — Darcey E Gottschalk

(22) Filed: **Jun. 11, 2019**

(57) **CLAIM**

(51) **LOC (13) Cl.** **09-07**

The ornamental design for a closure, as shown and described.

(52) **U.S. Cl.**

USPC **D9/453**

DESCRIPTION

(58) **Field of Classification Search**

USPC D7/392.1, 396.2, 900; D9/434-436, 440, D9/443-447, 452-454, 499

CPC B65D 41/04

See application file for complete search history.

FIG. 1 is a top, front perspective view of a closure showing our new design;
FIG. 2 is a bottom, front, left perspective view thereof;
FIG. 3 is a front view thereof;
FIG. 4 is a rear view thereof;
FIG. 5 is a right side view thereof;
FIG. 6 is a left side view thereof;
FIG. 7 is a top view thereof; and,
FIG. 8 is a bottom view thereof.

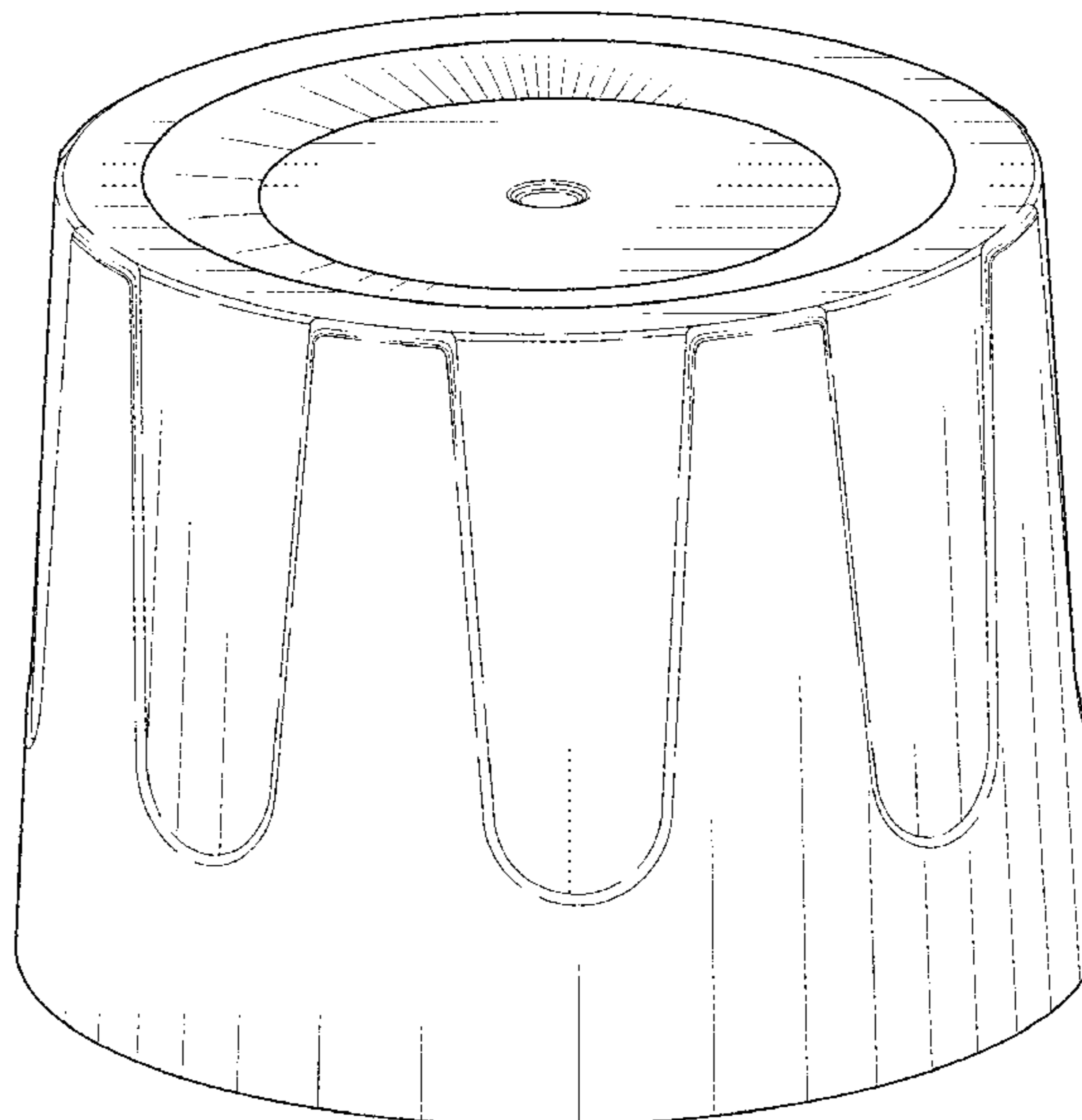
The broken lines immediately adjacent to the shaded area define the bounds of the claimed design and form no part thereof. The broken lines depicting the remainder of the closure show features that form no part of the claimed design.

(56) **References Cited**

U.S. PATENT DOCUMENTS

D396,638 S * 8/1998 Demarest D9/445
D443,513 S * 6/2001 Goettner D9/452
D554,995 S * 11/2007 Saint-Ignan D9/453
D568,743 S * 5/2008 Kunesh D9/445
D611,814 S * 3/2010 Marotti D9/454
D708,950 S * 7/2014 Zeid D9/453
D801,175 S * 10/2017 Henige D9/453
D813,671 S * 3/2018 Arthur, IV D9/452
D840,811 S * 2/2019 Holmes D9/443

1 Claim, 6 Drawing Sheets



(56)

References Cited

FOREIGN PATENT DOCUMENTS

JP	0459879 S	6/1977
JP	1295534 S	2/2007
KR	30-1006769 S	5/2019
RU	88685 S	5/2014

OTHER PUBLICATIONS

Swell. Silver Lining Cap. Review by Trisha P. Sep. 14, 2019.
https://www.swell.com/products/swell/accessories/silver-lining-cap/?&gclid=EAlalQobChMI95fikva76gIVE4b1Ch0yjgi0EAQYAyABEgl-N_D_BwE&gclsrc=aw.ds (Year: 2019).*
Aug. 6, 2020—(RU) Office Action—App. 2019505576/49.

* cited by examiner

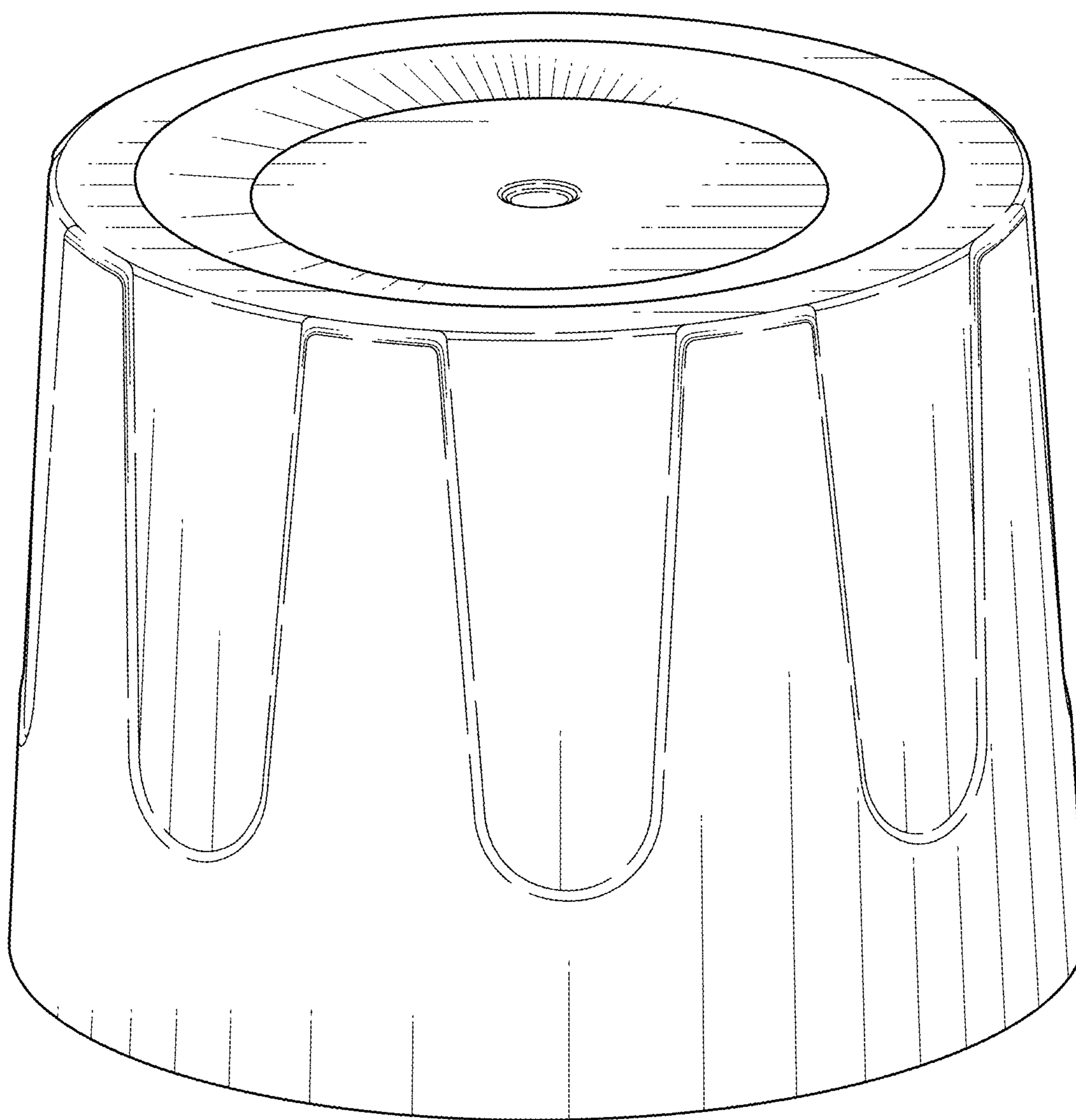


FIG. 1

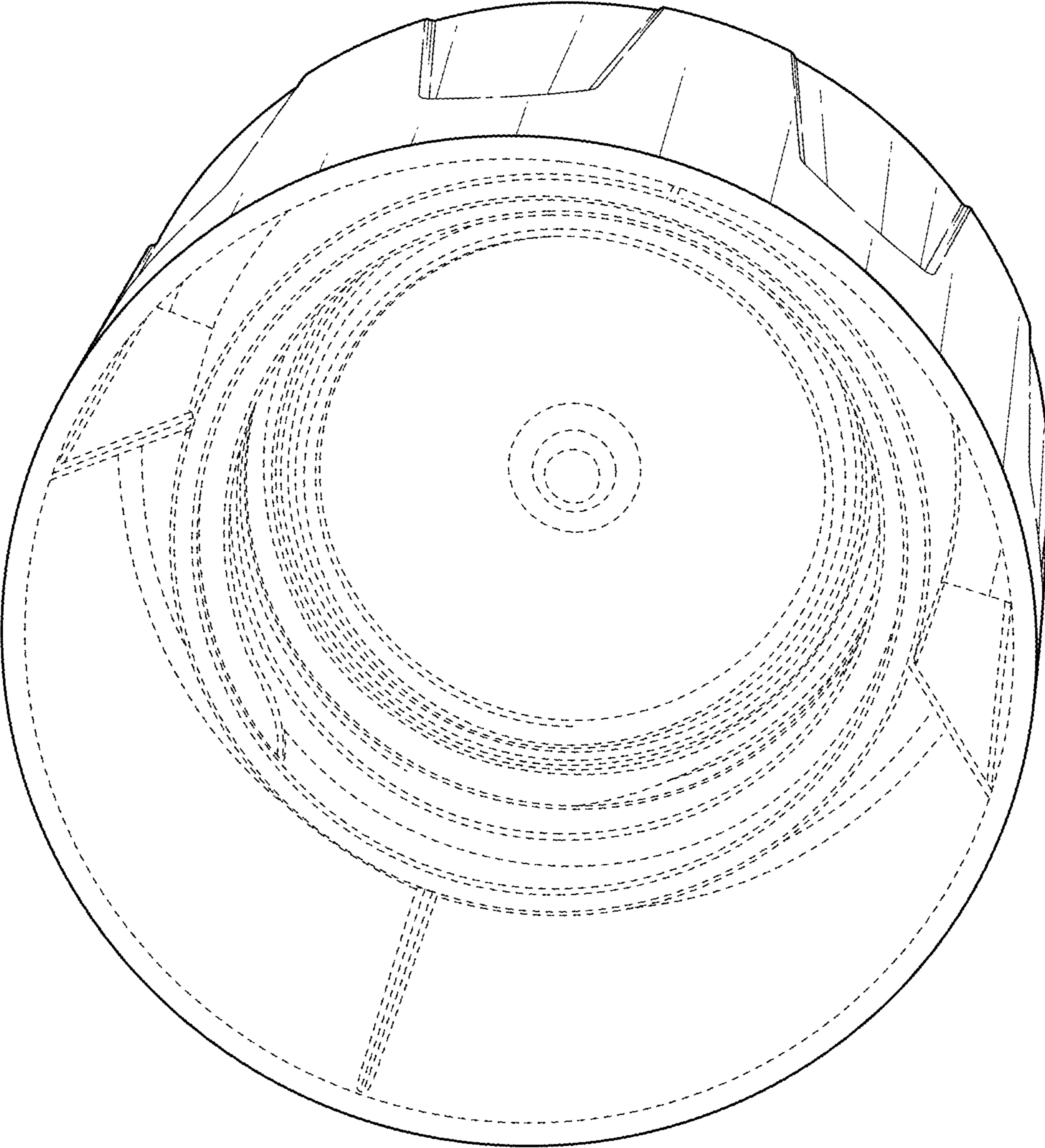


FIG. 2

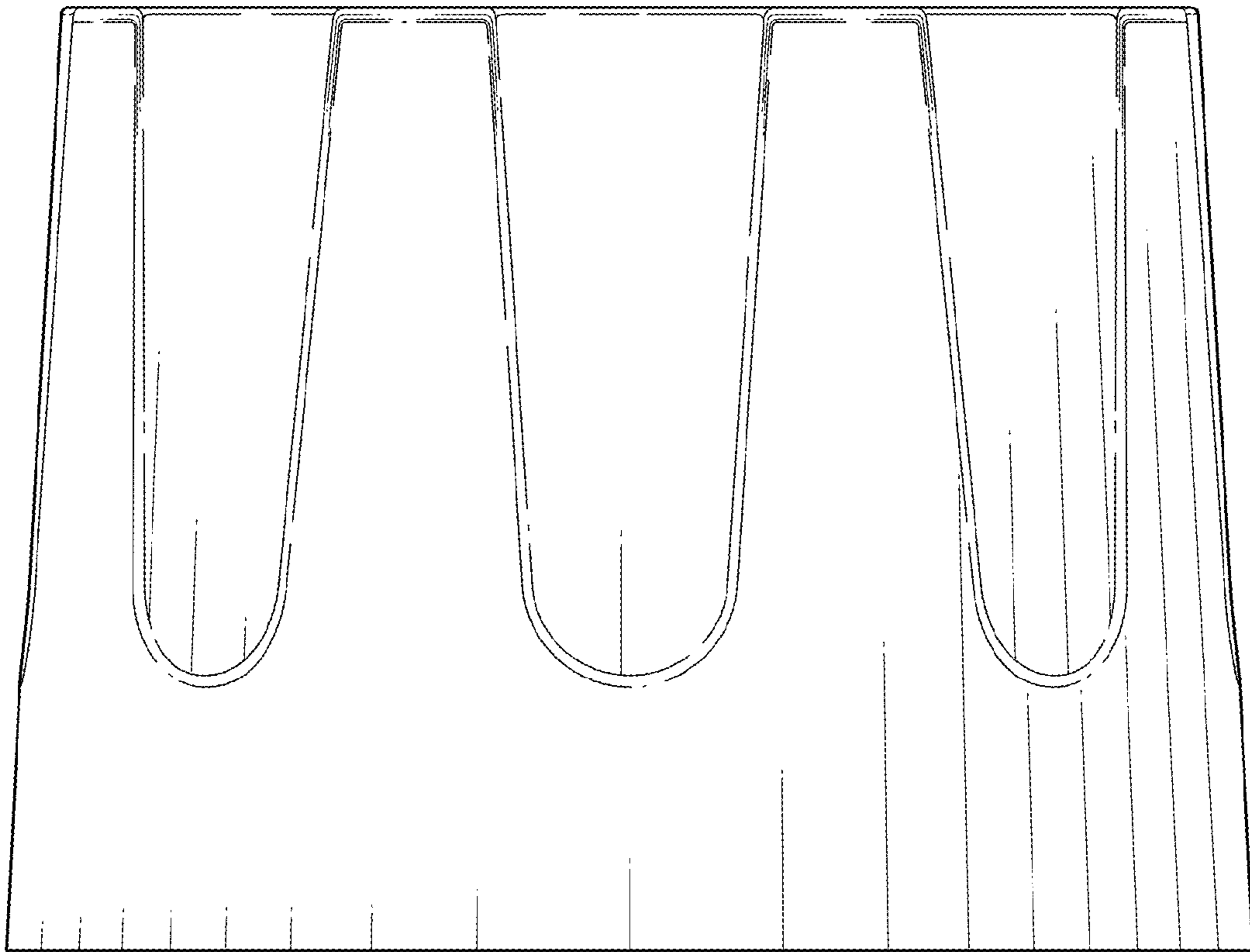


FIG. 3

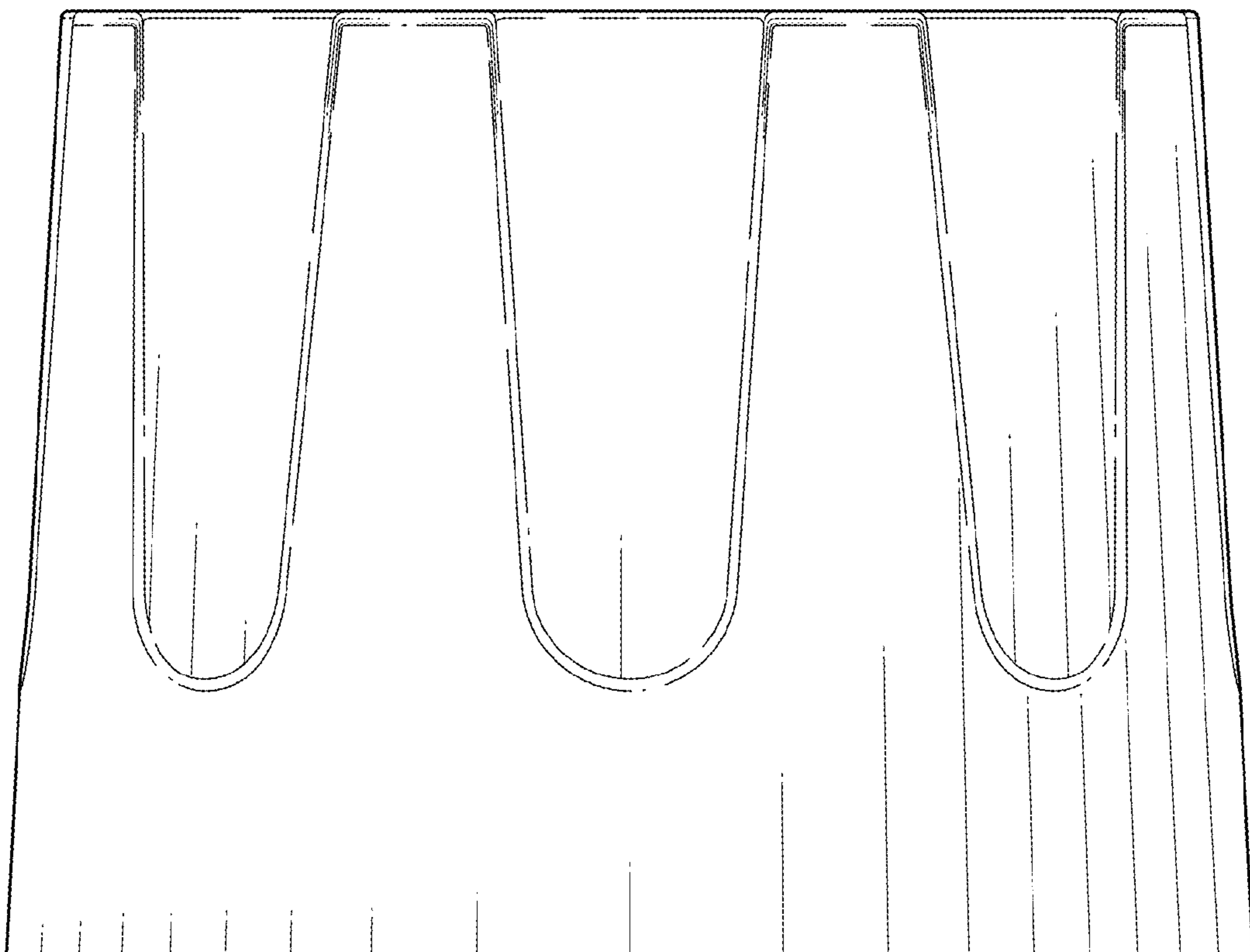


FIG. 4

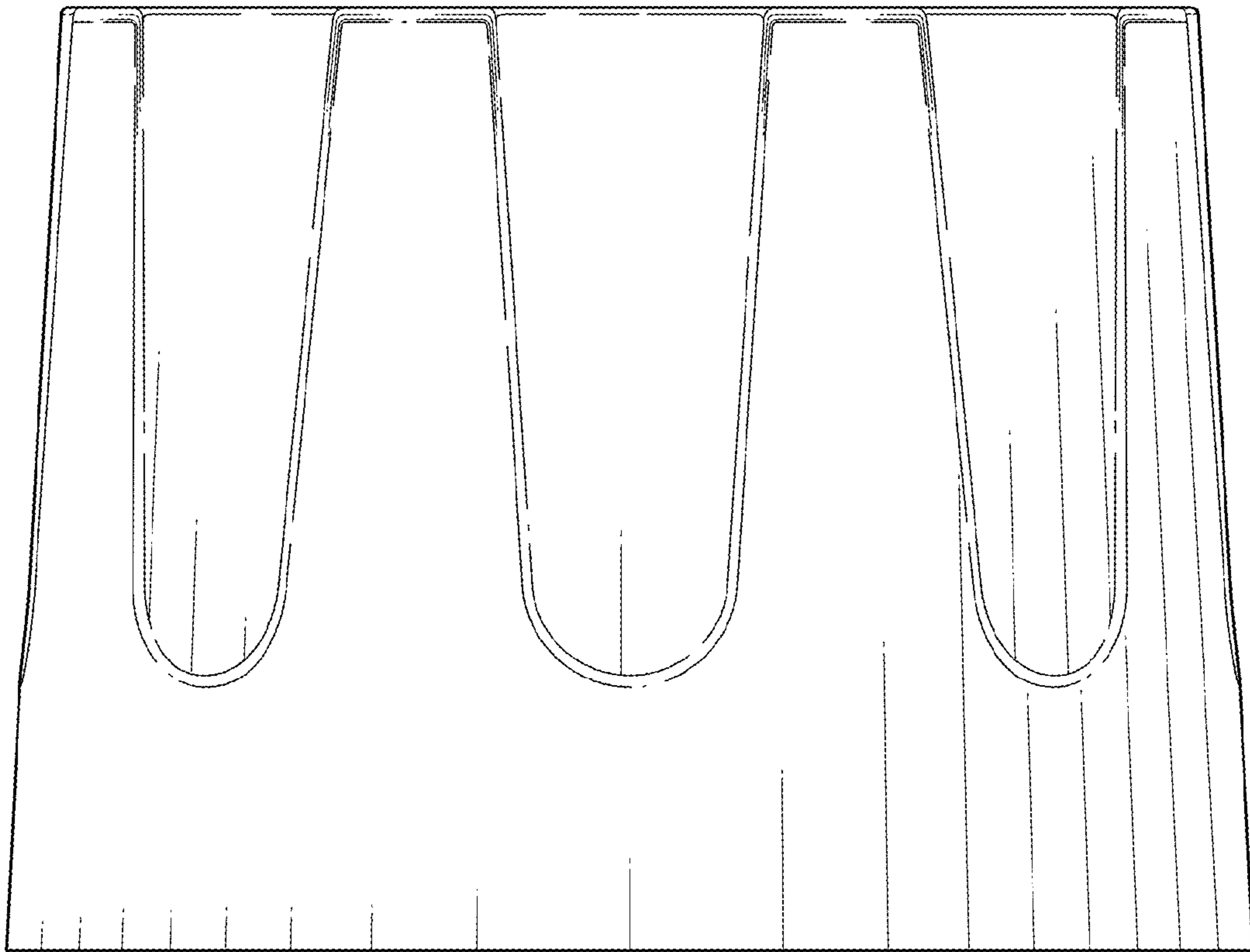


FIG. 5

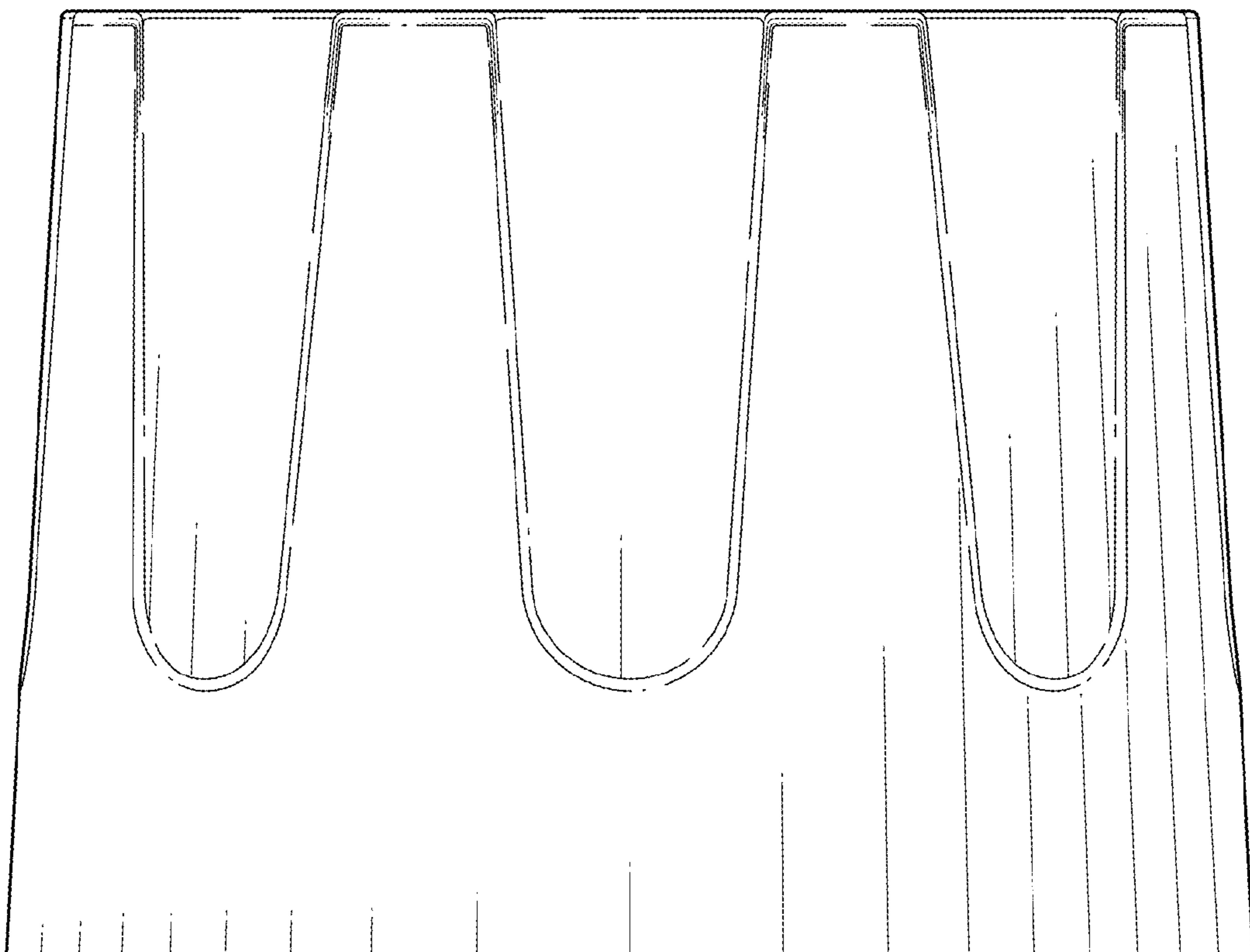


FIG. 6

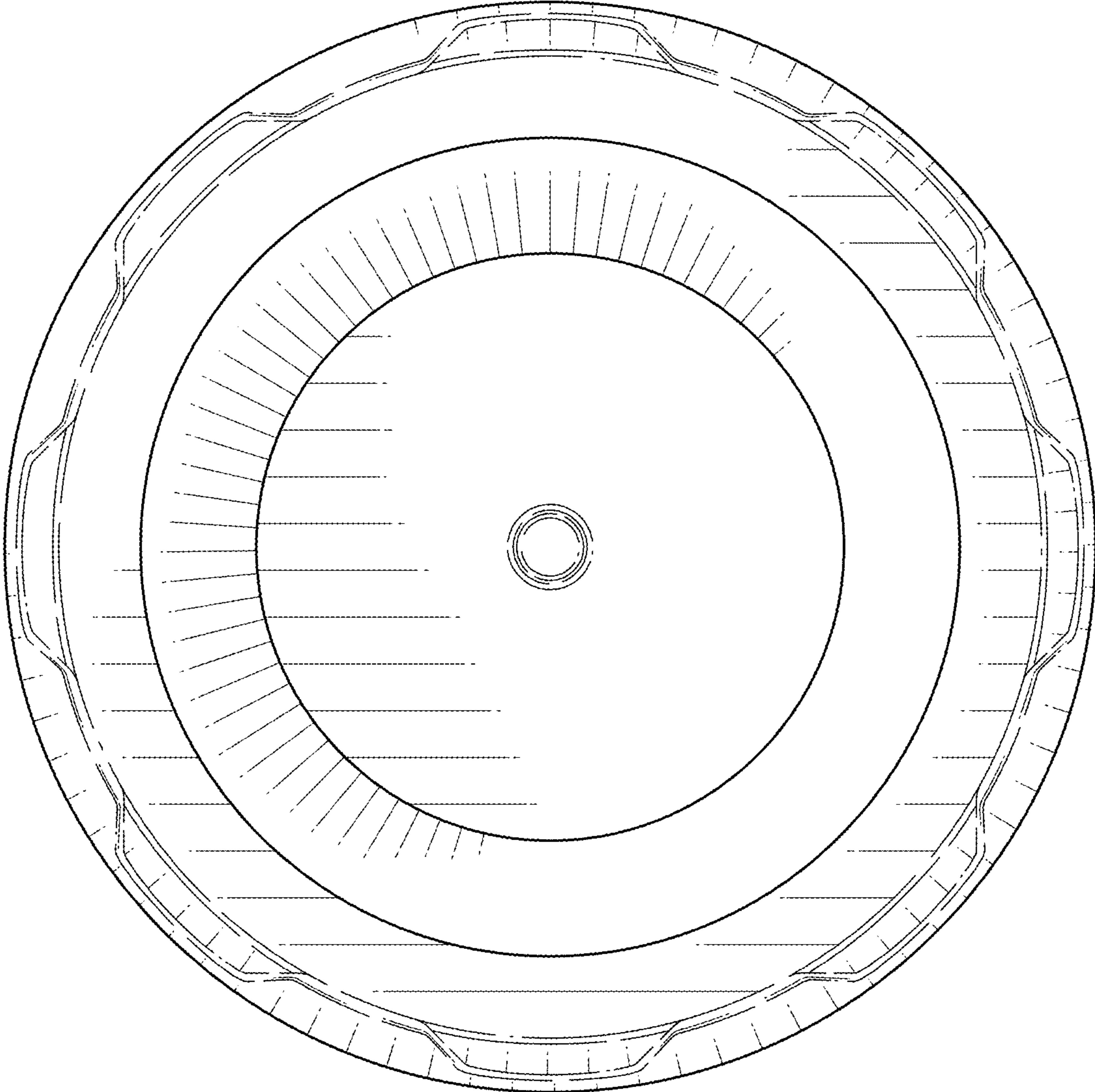


FIG. 7

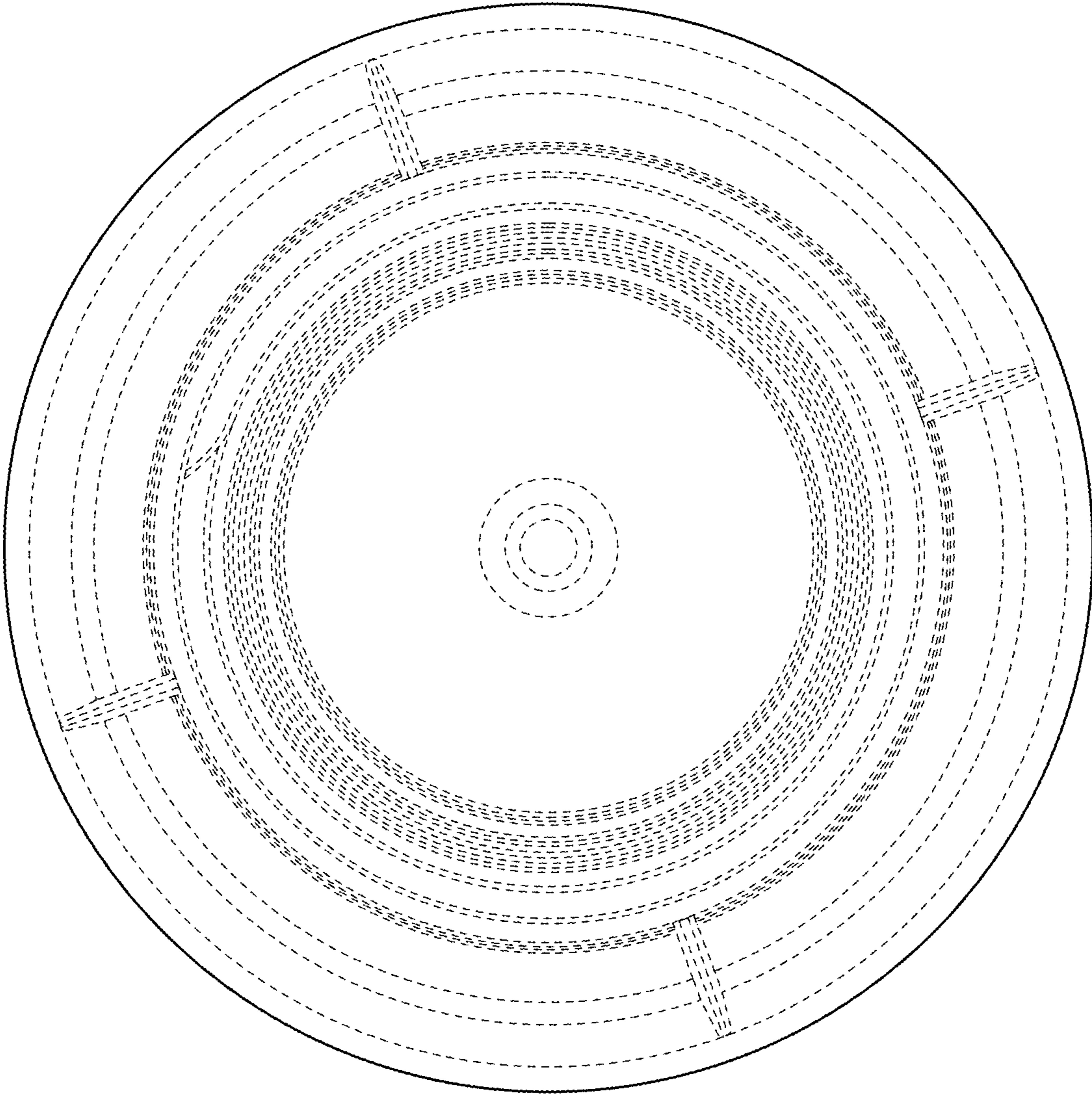


FIG. 8