



US00D906808S

(12) **United States Design Patent**
Obara et al.

(10) **Patent No.:** **US D906,808 S**
(45) **Date of Patent:** **** Jan. 5, 2021**

(54) **CAP OF A DISPENSING CONTAINER**

FOREIGN PATENT DOCUMENTS

(71) Applicant: **NISSHIN FOODS INC.**, Tokyo (JP)

JP 56-103449 U 8/1981
JP 04-010054 U 1/1992

(72) Inventors: **Mie Obara**, Tokyo (JP); **Michihiro Sakakibara**, Tokyo (JP)

(Continued)

(73) Assignee: **NISSHIN FOODS INC.**, Tokyo (JP)

Primary Examiner — Wendy L Arminio

(**) Term: **15 Years**

(74) *Attorney, Agent, or Firm* — Muncy, Geissler, Olds & Lowe, P.C.

(21) Appl. No.: **29/599,786**

(22) Filed: **Apr. 6, 2017**

(57) **CLAIM**

(30) **Foreign Application Priority Data**

The ornamental design for a cap of a dispensing container, as shown and described.

Oct. 6, 2016 (JP) 2016-021840
Oct. 6, 2016 (JP) 2016-021841
Oct. 6, 2016 (JP) 2016-021842
Oct. 6, 2016 (JP) 2016-021843

DESCRIPTION

(51) **LOC (13) Cl.** **09-07**

(52) **U.S. Cl.**
USPC **D9/449**

(58) **Field of Classification Search**
USPC D9/414, 434–436, 438–440, 443–457,
D9/499, 503–505, 682, 685, 686;
D7/387, 391, 392, 392.1, 396.2–396.4,
D7/401.1, 507, 509–511, 538, 900;
D3/202, 203.2, 318; D28/91.1
CPC .. A61J 1/00; A61J 1/1412; B65D 1/00; B65D
1/02; B65D 1/10; B65D 1/46; B65D
5/46; B65D 41/00; B65D 41/38; B65D
41/56; B65D 41/62; B65D 47/00; B65D
47/06;

FIG. 1 is a perspective view of a cap of a dispensing container, showing our new design;
FIG. 2 is a front elevational view thereof;
FIG. 3 is a rear elevational view thereof;
FIG. 4 is a top plan view thereof;
FIG. 5 is a bottom plan view thereof;
FIG. 6 is a left side view thereof;
FIG. 7 is a right side view thereof;
FIG. 8 is a front elevational view thereof, with a larger lid member open;
FIG. 9 is a top plan view thereof, with the larger lid member open;
FIG. 10 is a right side view thereof, with the larger lid member open;
FIG. 11 is a front elevational view thereof, with a smaller lid member open;
FIG. 12 is a top plan view thereof, with the smaller lid member open; and,
FIG. 13 is a left side view thereof, with the smaller lid member open.

(Continued)

The broken lines depict portions of the cap of a dispensing container that form no part of the claimed design.

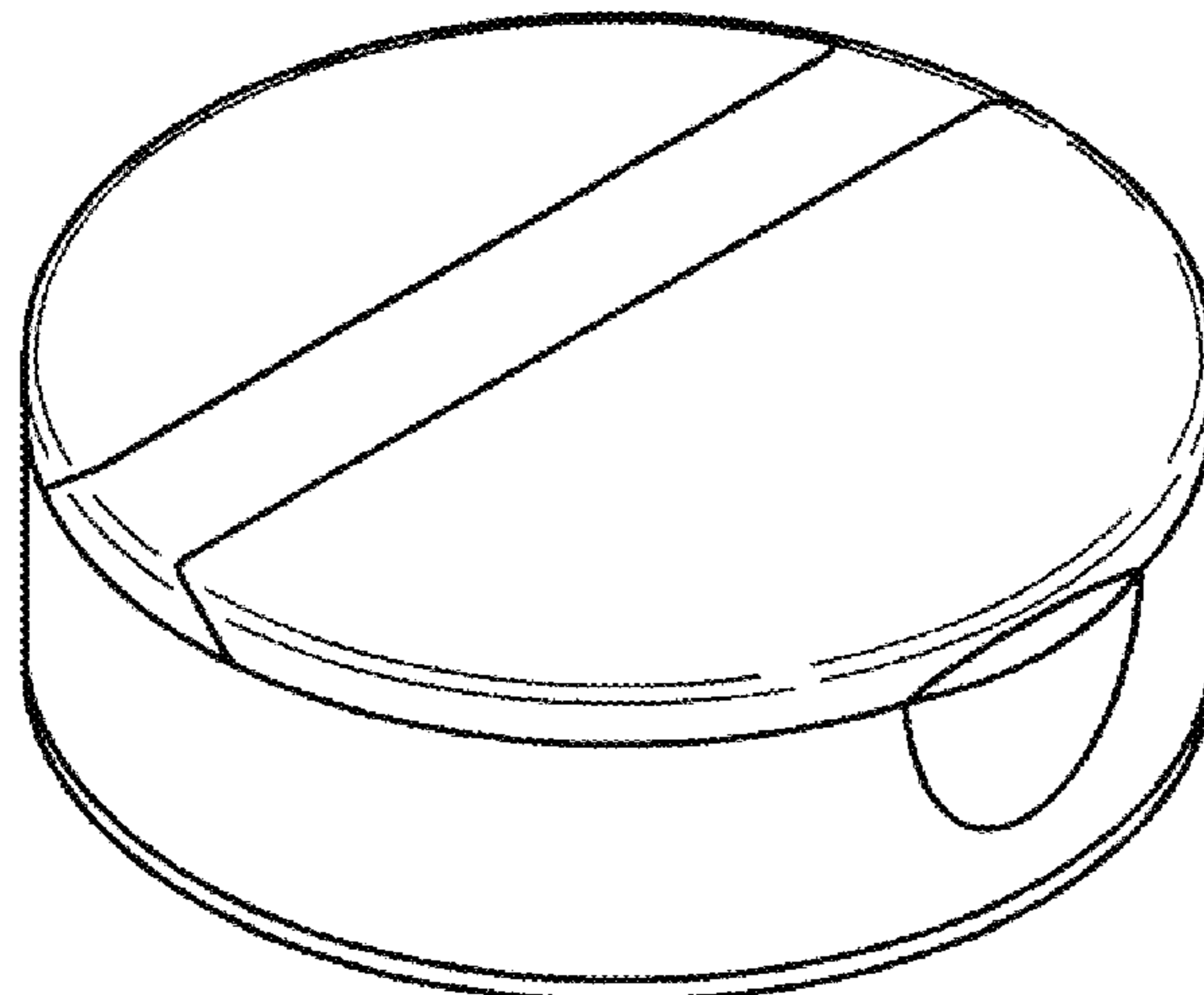
(56) **References Cited**

U.S. PATENT DOCUMENTS

4,299,339 A * 11/1981 Giroux B65D 47/265
215/313
4,881,668 A * 11/1989 Kitterman B65D 47/0876
222/482

(Continued)

1 Claim, 7 Drawing Sheets



(58) **Field of Classification Search**

CPC B65D 47/08; B65D 2251/00; B65D
 2543/00046; B65D 2543/00092; B65D
 2543/00296; B65D 2585/56; B65D
 2585/545

See application file for complete search history.

D509,426 S * 9/2005 Samz D9/447
 D513,452 S * 1/2006 Parve D9/435
 D530,610 S * 10/2006 Samz D9/447
 D533,452 S * 12/2006 Vogel D9/449
 D541,152 S * 4/2007 Samz D9/449
 D552,990 S * 10/2007 Vogel D9/435
 D582,273 S * 12/2008 Vogel D9/449
 D603,702 S * 11/2009 Daggett D9/449
 D603,703 S * 11/2009 Daggett B65D 43/161

(56) **References Cited**

U.S. PATENT DOCUMENTS

D305,206 S * 12/1989 Hickman D9/449
 4,936,494 A * 6/1990 Weidman B65D 47/0847
 215/235
 4,955,513 A * 9/1990 Bennett B65D 47/0847
 215/235
 5,048,730 A * 9/1991 Forsyth B65D 47/0847
 215/235
 D340,187 S * 10/1993 Forsyth D9/449
 D340,188 S * 10/1993 Forsyth D9/449
 D410,388 S * 6/1999 Fisher D9/449
 D431,458 S * 10/2000 Bried D3/203.2
 6,575,323 B1 * 6/2003 Martin B65D 47/0852
 220/254.2

D828,755 S * 9/2018 Jacobs D9/449
 2004/0118846 A1 * 6/2004 Merolla B65D 47/08
 220/254.2
 2010/0140304 A1 * 6/2010 Walunis B65D 43/161
 222/480
 2016/0116321 A1 * 4/2016 Lacasse G01F 11/24
 222/158
 2017/0129658 A1 * 5/2017 Moody B65D 47/0838

FOREIGN PATENT DOCUMENTS

JP 10-167303 6/1998
 JP 1521036 4/2015
 JP 1531979 8/2015

* cited by examiner

FIG. 1

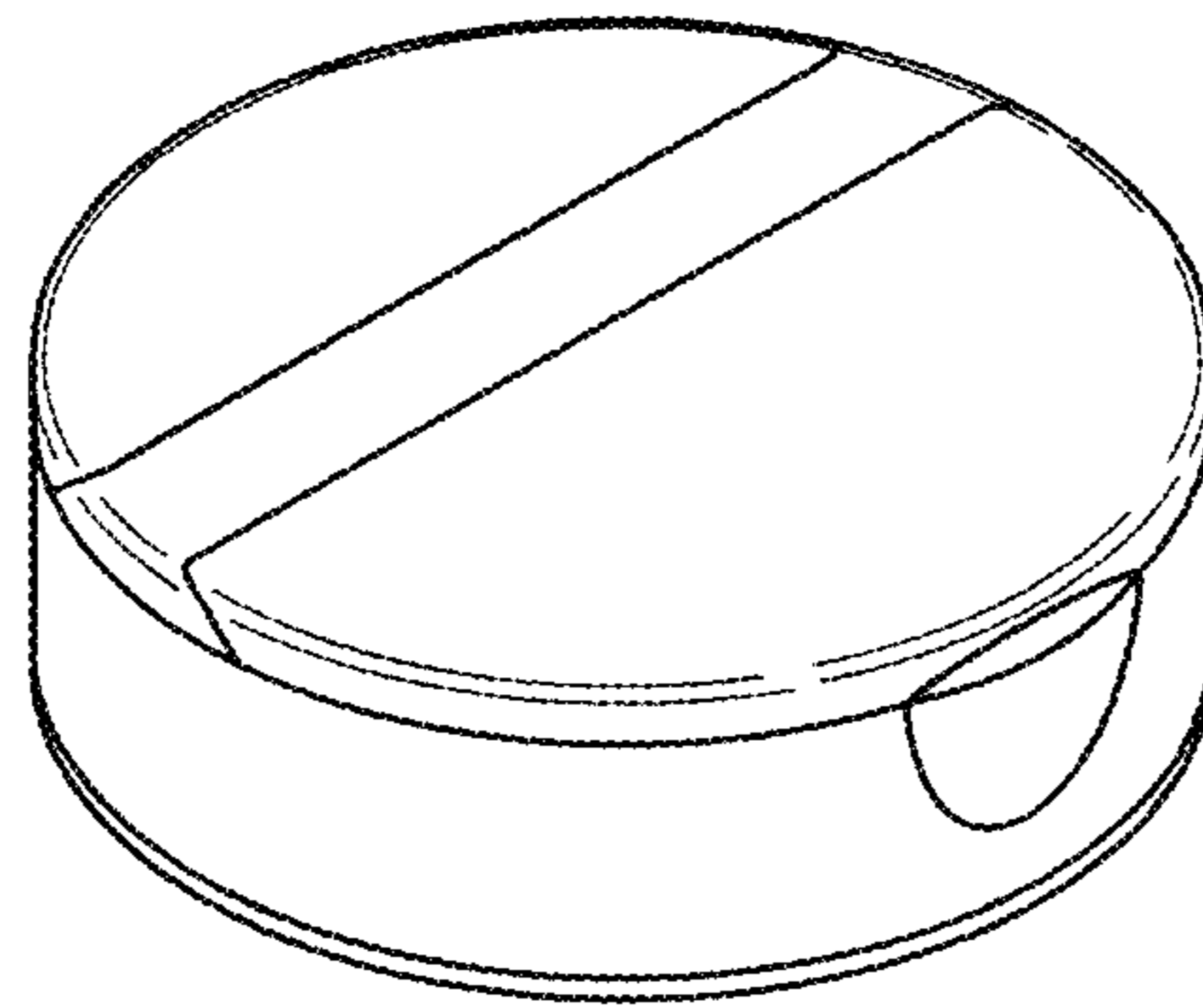


FIG. 2

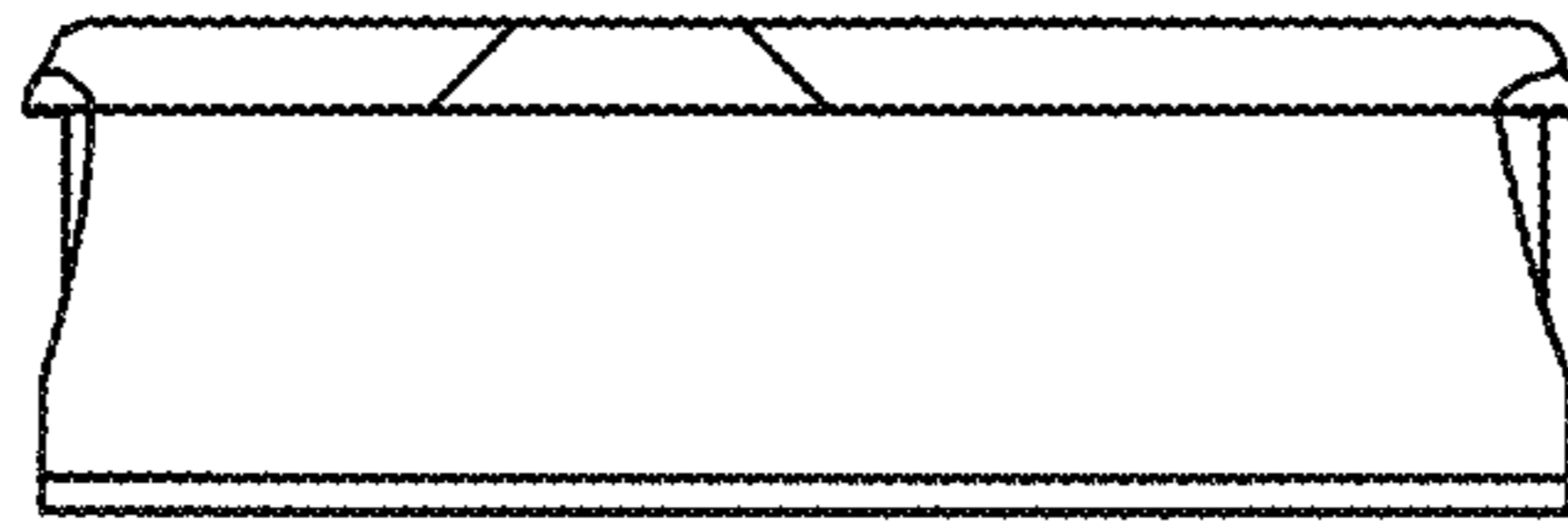


FIG. 3

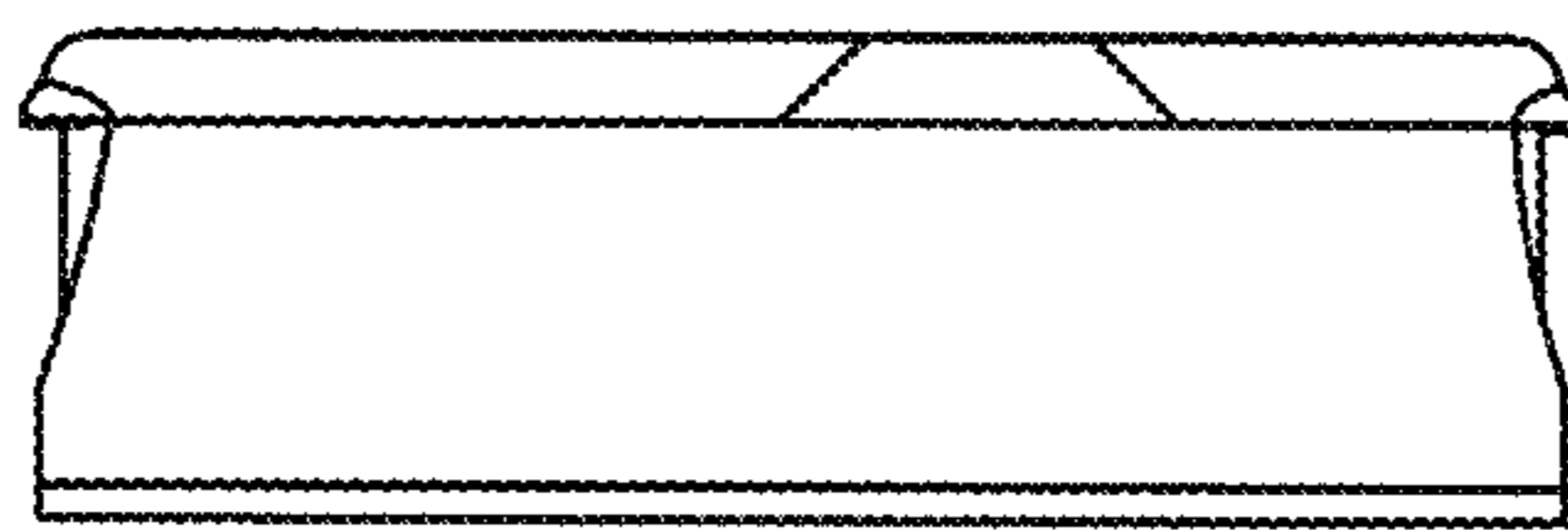


FIG. 4

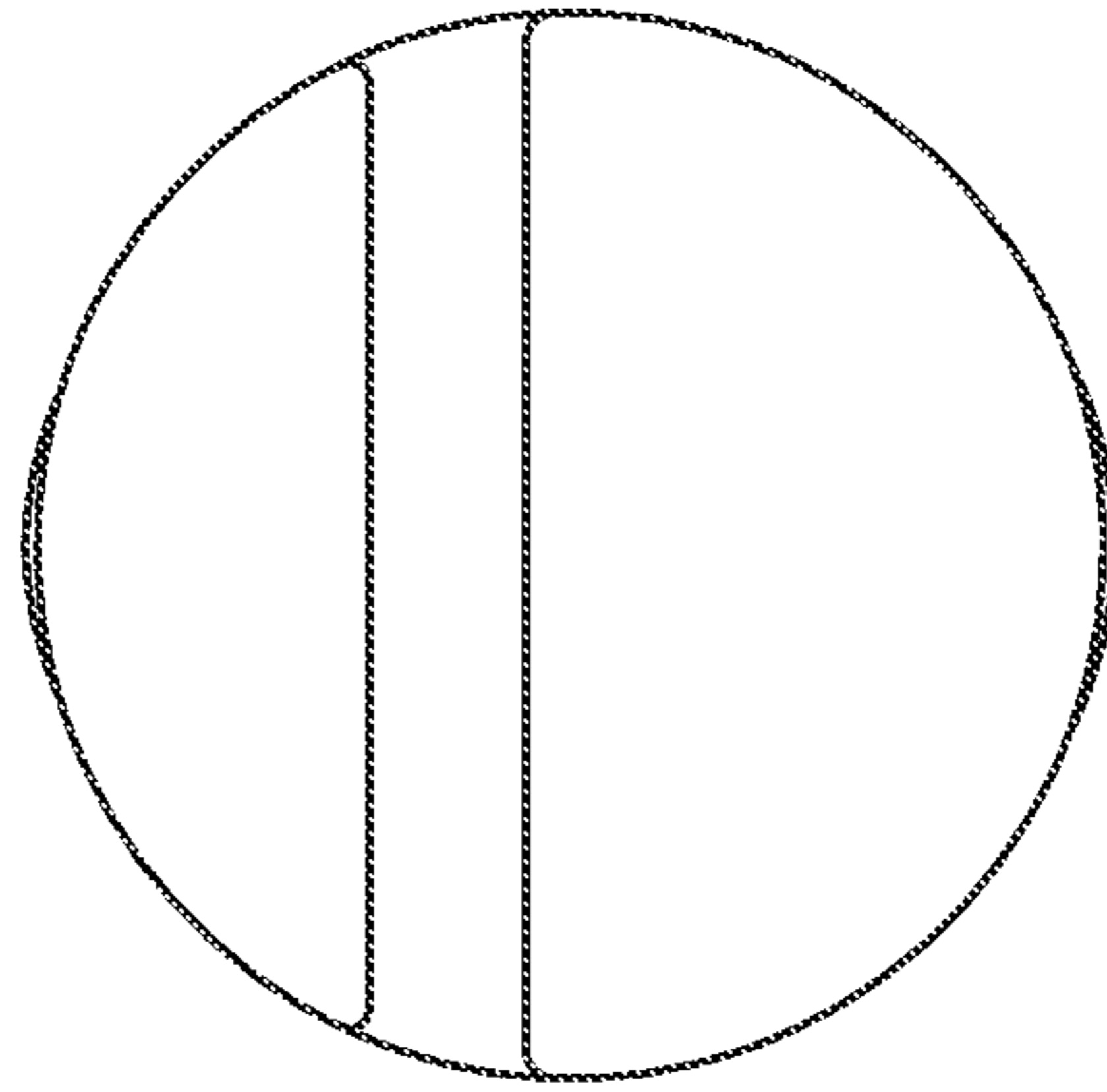


FIG. 5

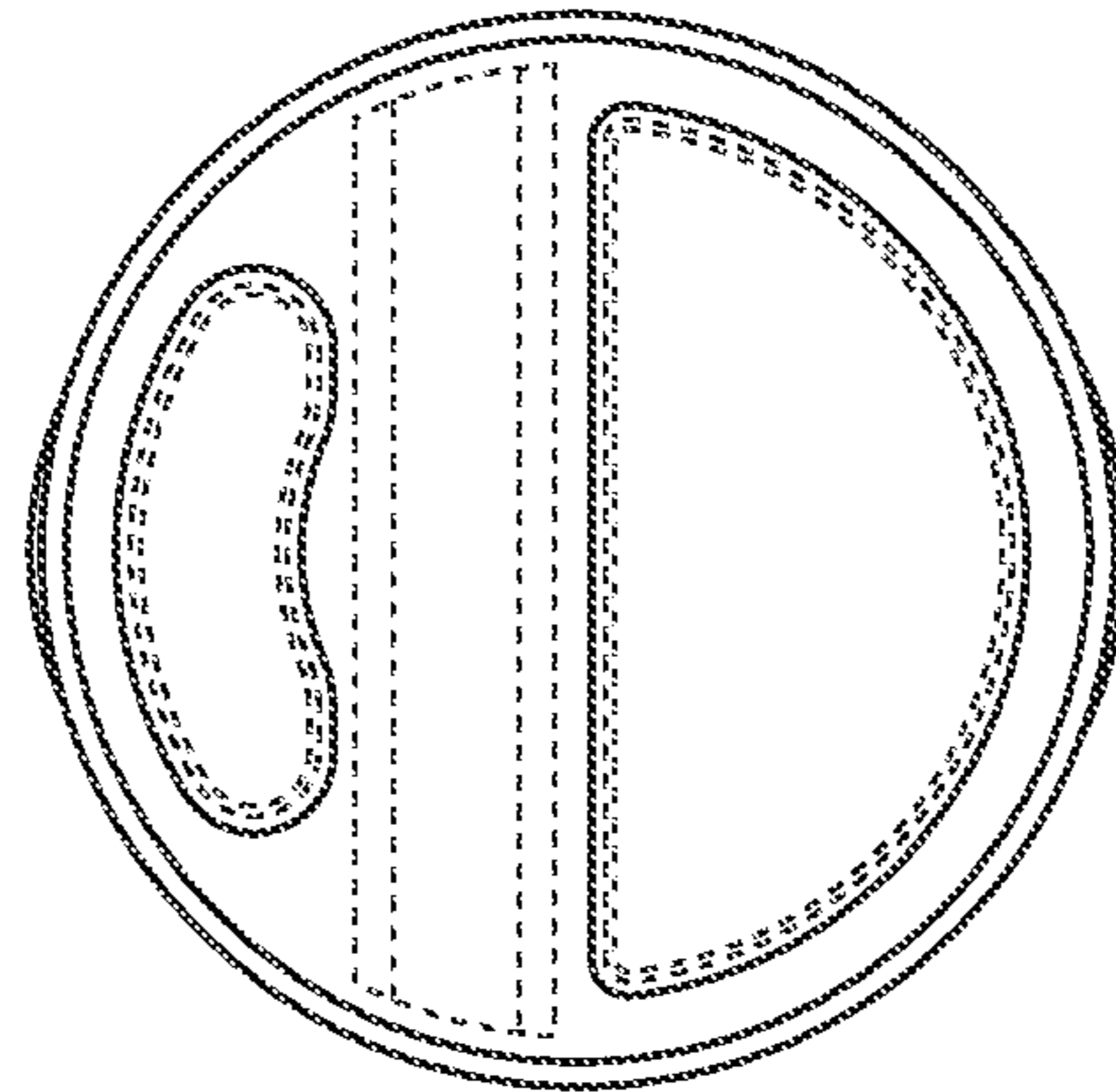


FIG. 6

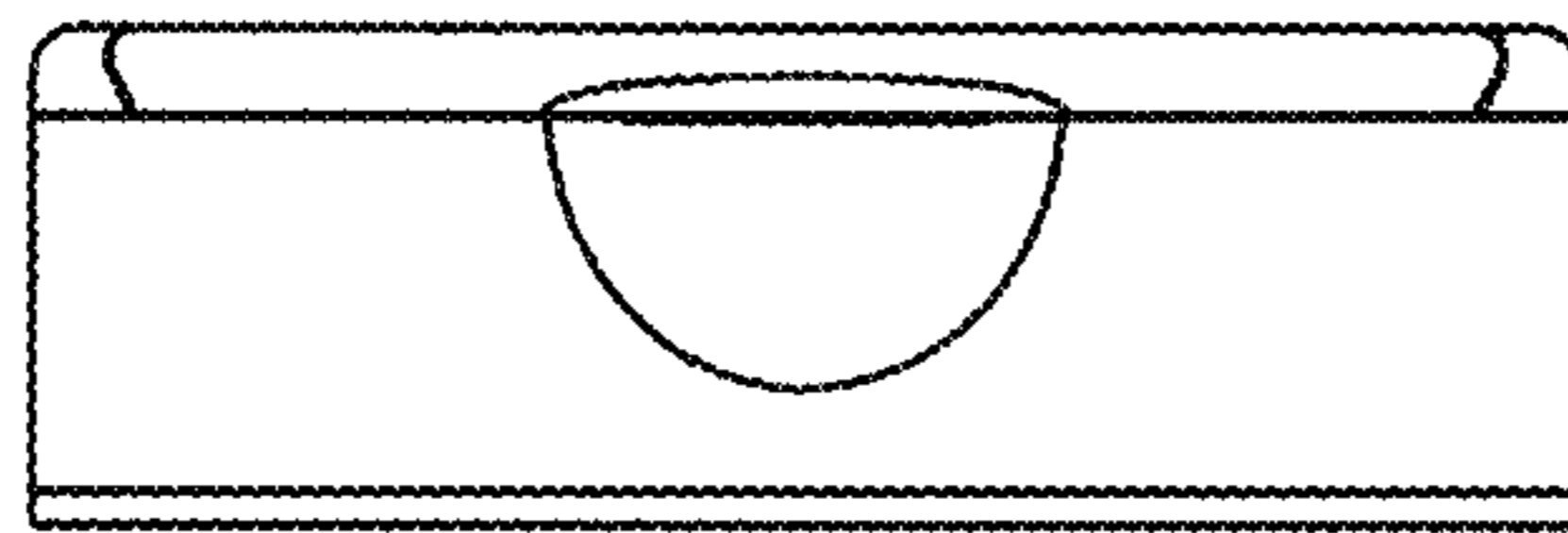


FIG. 7

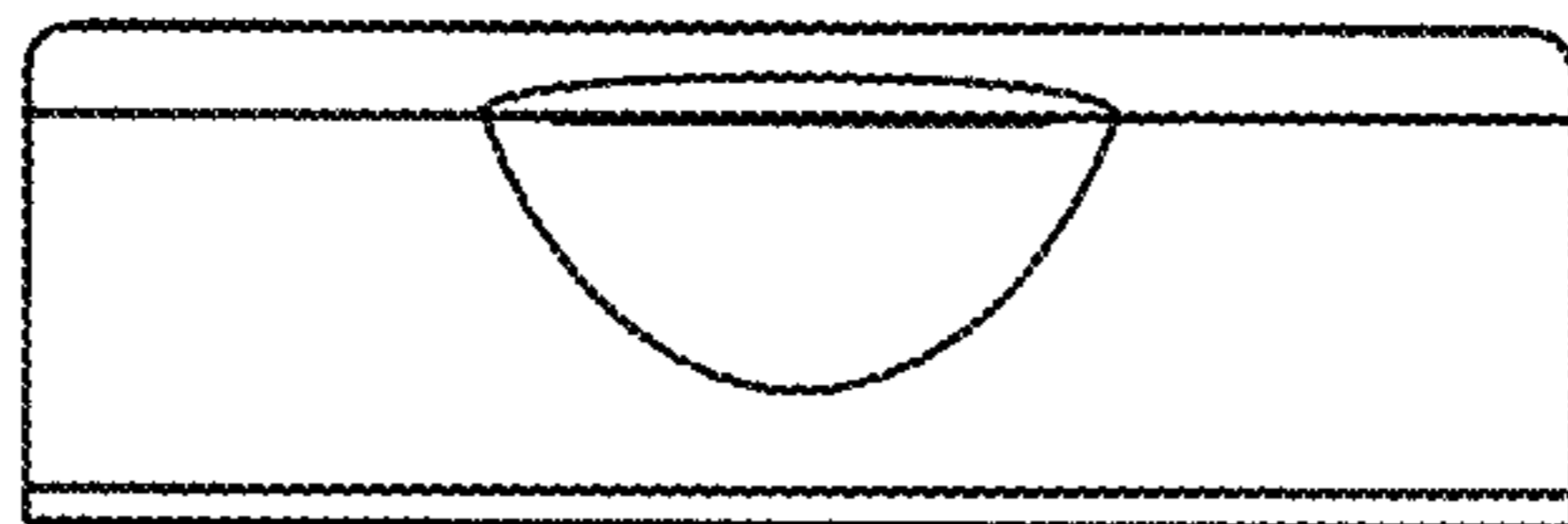


FIG. 8

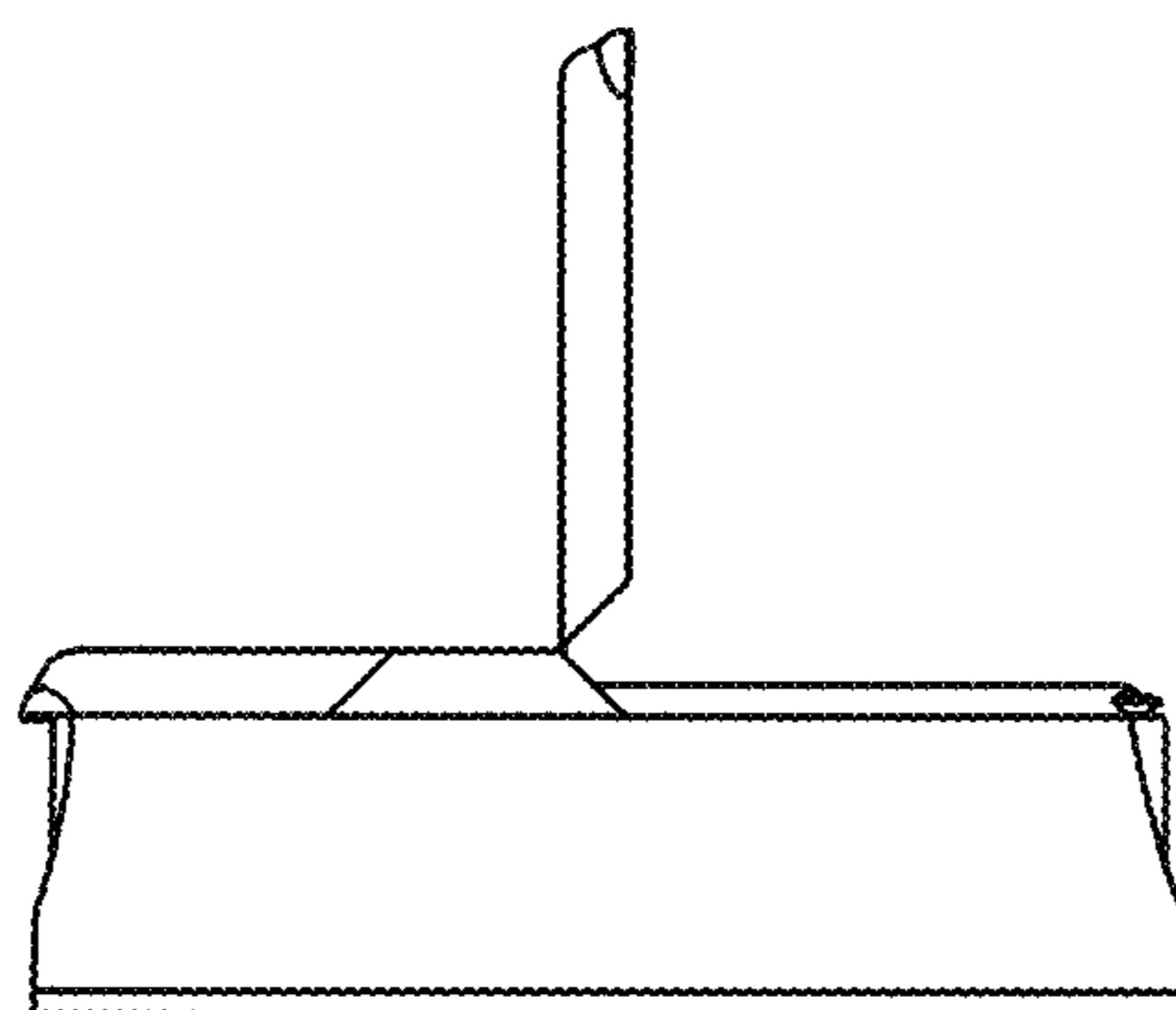


FIG. 9

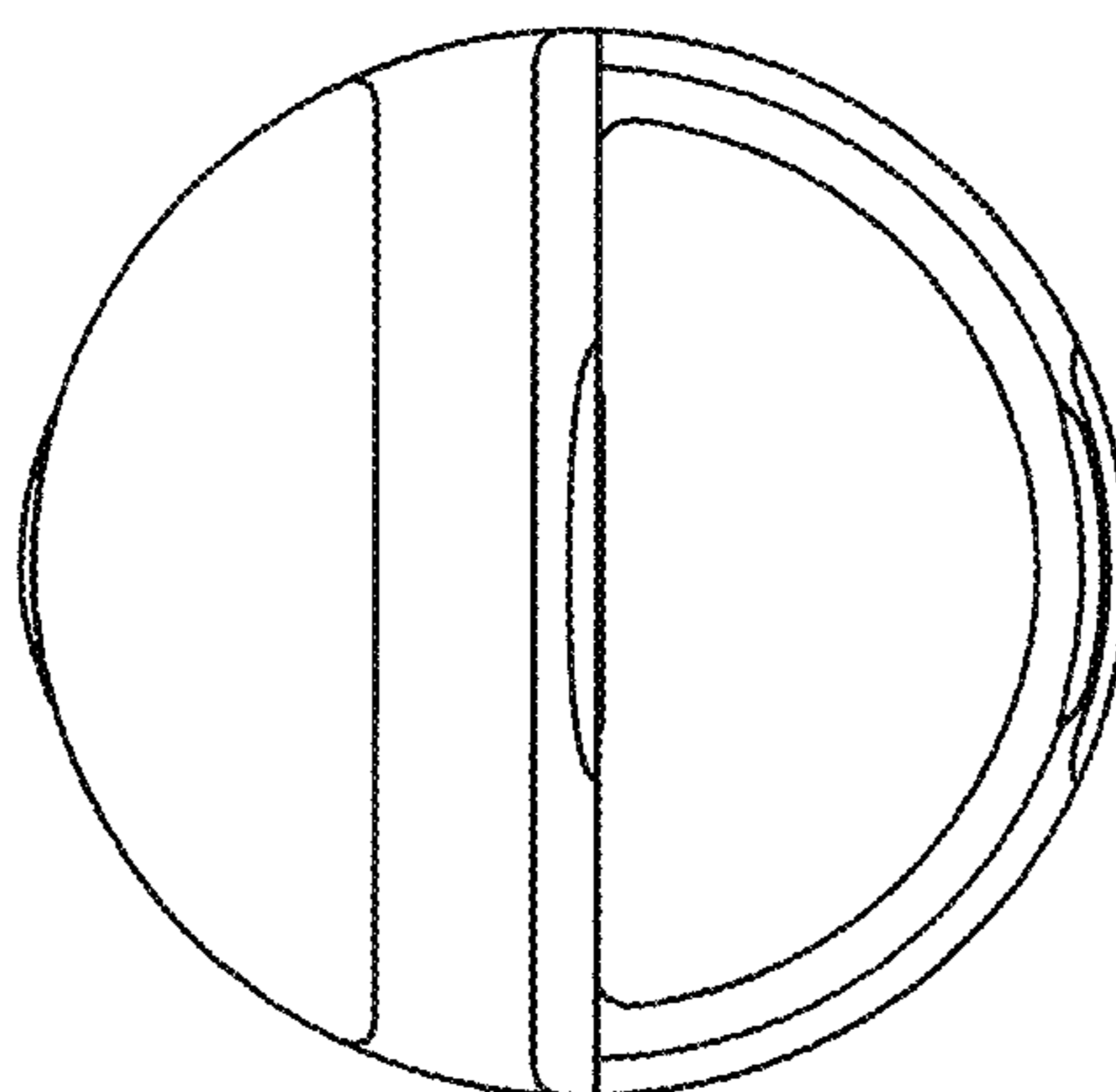


FIG. 10

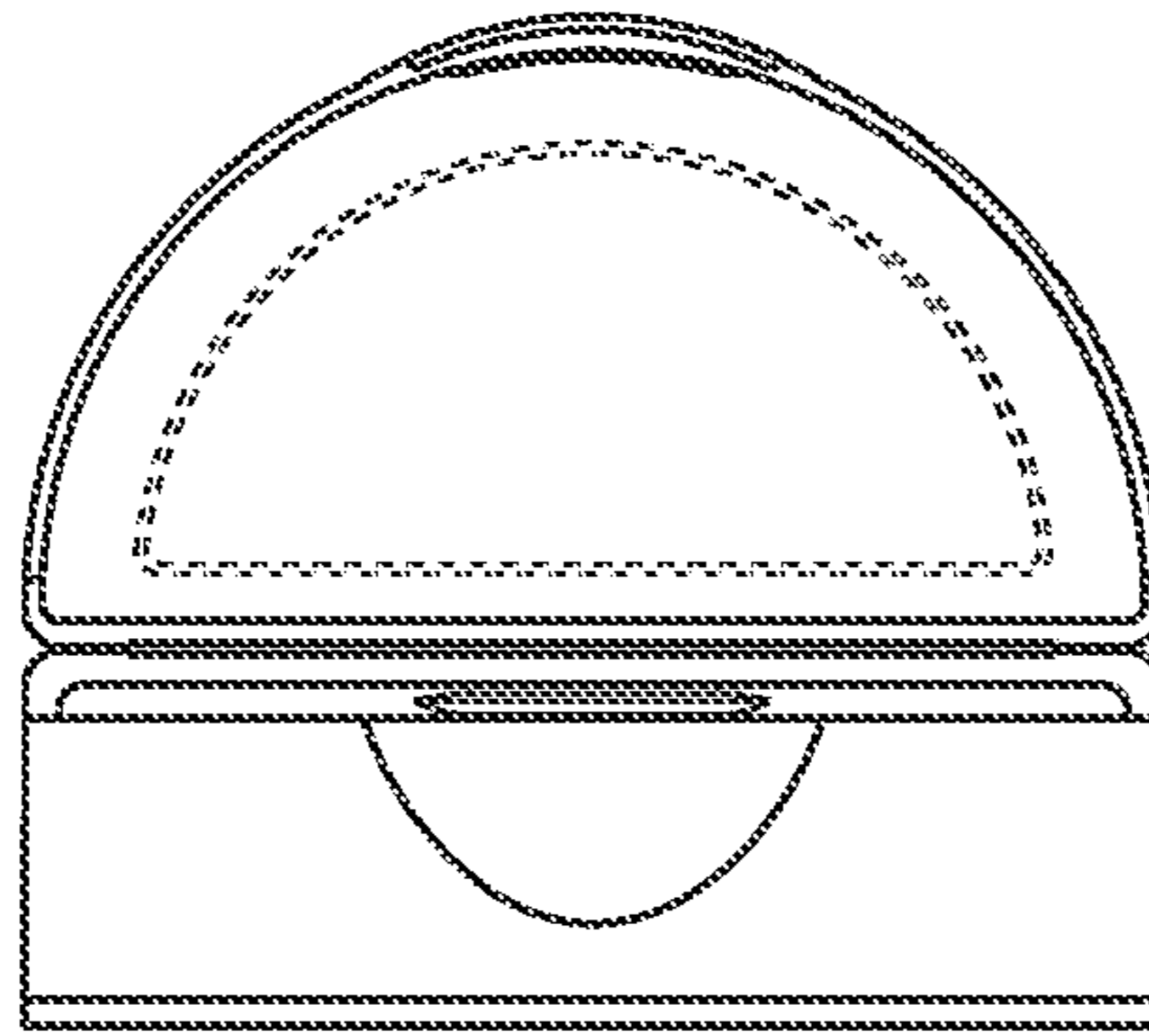


FIG. 11

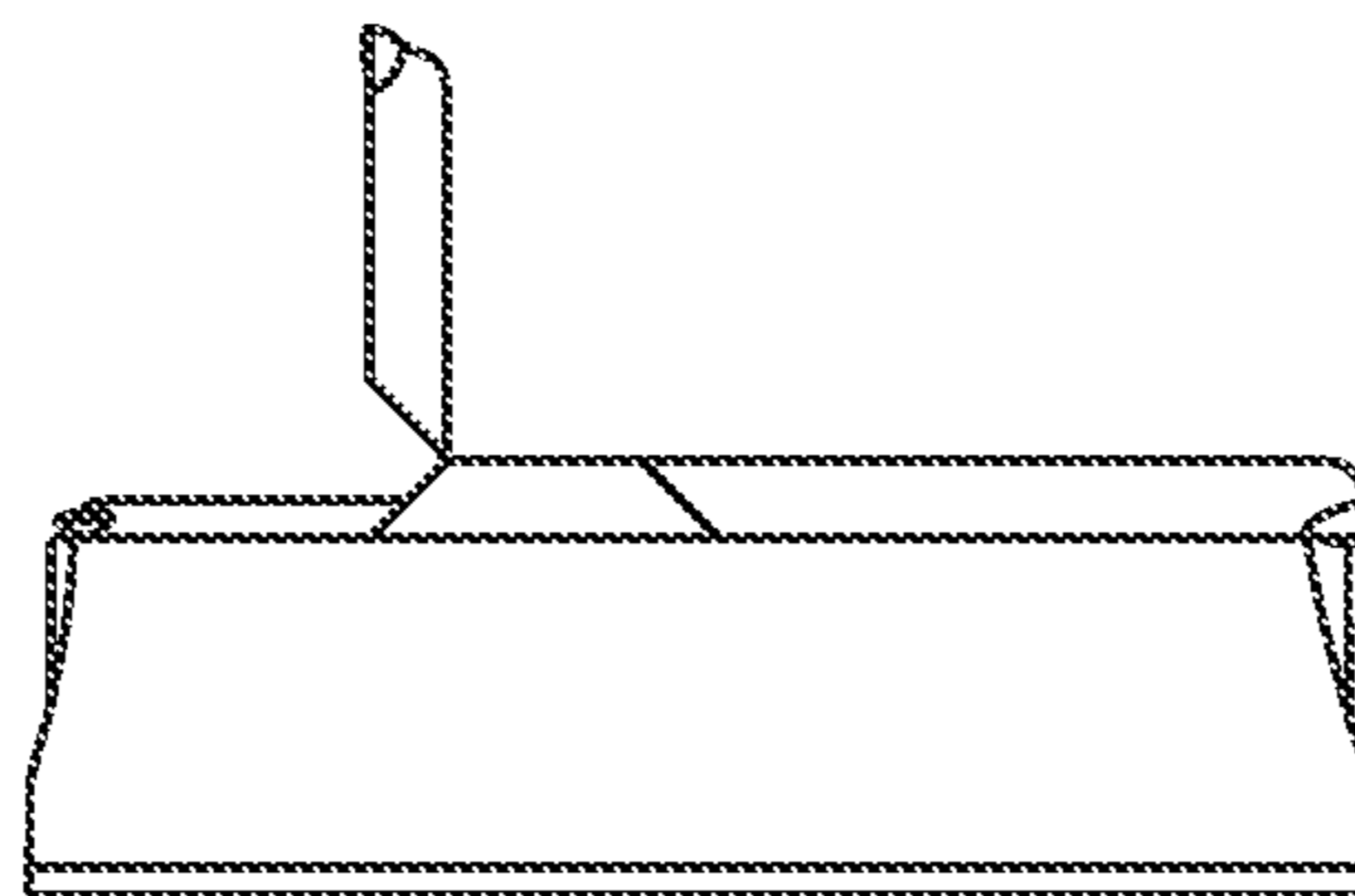


FIG. 12

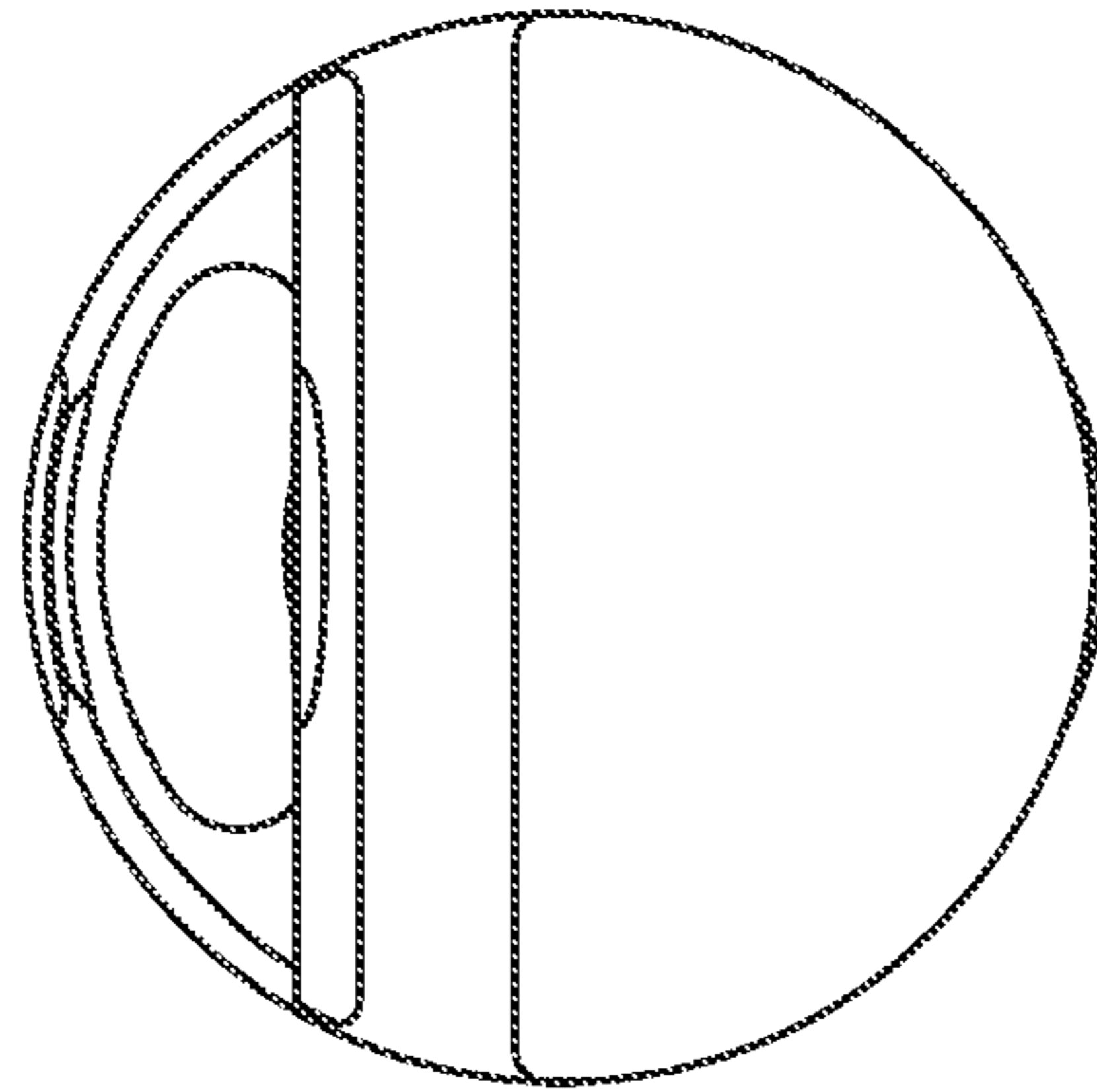


FIG. 13

