



US00D906806S

(12) **United States Design Patent** (10) **Patent No.:** **US D906,806 S**
Joshi et al. (45) **Date of Patent:** **** Jan. 5, 2021**

(54) **BOTTLE CLOSURE**

B65D 2543/00046; B65D 2543/00092;
B65D 2543/00296; B65D 2585/56; B65D
2585/545

(71) Applicants: **The Coca-Cola Company**, Atlanta, GA
(US); **Disney Enterprises, Inc.**,
Burbank, CA (US)

See application file for complete search history.

(72) Inventors: **Rohit Joshi**, Alpharetta, GA (US);
Matthew Cooper, Atlanta, GA (US);
Susan Propp, Atlanta, GA (US); **Ellen
Gutierrez**, Atlanta, GA (US); **Michael
Pickholtz**, Atlanta, GA (US);
Christopher Lee Beatty, Pasadena, CA
(US); **Brian Scott Loo**, Orlando, FL
(US); **Darin Pugne**, Evansville, IN
(US); **Carl Smith**, Evansville, IN (US)

(56) **References Cited**

U.S. PATENT DOCUMENTS

D89,809	S	*	5/1933	Von Till	D9/453
D101,623	S	*	10/1936	Fleisch	D9/453
D201,388	S	*	6/1965	Pick	D8/397
D203,947	S	*	3/1966	Pick	D8/397
4,875,594	A	*	10/1989	Ochs	B65D 41/3419 215/252
D341,016	S	*	11/1993	Wada	D34/33
D408,504	S	*	4/1999	Bowen	D23/249
D503,216	S	*	3/2005	Berkman	D23/249
D547,172	S	*	7/2007	Kent	D8/397
D566,640	S	*	4/2008	Holz	D12/197
D600,546	S	*	9/2009	Scilingo	D8/397

(Continued)

(73) Assignees: **The Coca-Cola Company**, Atlanta, GA
(US); **Disney Enterprises, Inc.**,
Burbank, CA (US)

(**) Term: **15 Years**

OTHER PUBLICATIONS

(21) Appl. No.: **29/684,689**

Registration Certificate for Trademark Registration No. 4127637,
registered Apr. 17, 2012.

(22) Filed: **Mar. 22, 2019**

Primary Examiner — Wendy L Arminio

(51) **LOC (13) Cl.** **09-07**

(57) **CLAIM**

(52) **U.S. Cl.**

We claim the ornamental design for a bottle closure, as
shown and described.

USPC **D9/443**; D9/453

(58) **Field of Classification Search**

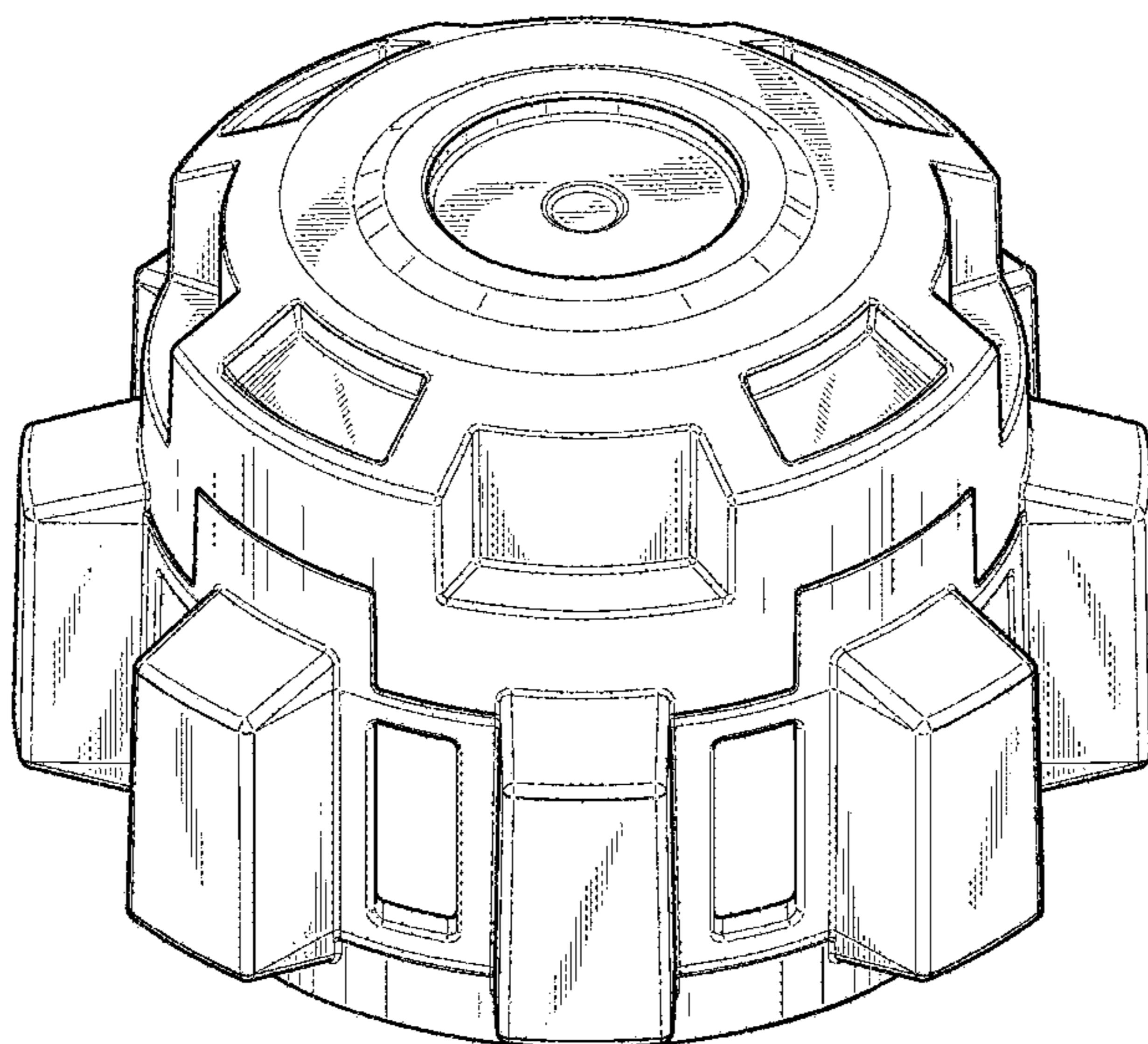
DESCRIPTION

USPC D9/414, 415, 432, 434, 435, 443–453,
D9/455–457, 499, 503, 504, 682, 685,
D9/686; D7/387, 391, 392, 392.1, 394,
D7/396.1–396.4, 506, 507, 509–511, 538,
D7/900; D3/202, 203.2, 294, 318;
D28/91, 91.1; D12/197; D23/249, 260;
D8/397

FIG. 1 is a perspective view of a bottle closure in accordance
with our new design;
FIG. 2 is a front view thereof;
FIG. 3 is a back view thereof;
FIG. 4 is a cross-sectional view thereof;
FIG. 5 is a top plan view thereof; and,
FIG. 6 is a bottom plan view thereof.
The broken lines depict portions of the bottle closure that
form no part of the claimed design.

CPC .. A61J 1/00; A61J 1/1412; B65D 1/00; B65D
1/02; B65D 1/10; B65D 1/46; B65D
5/46; B65D 41/00; B65D 41/38; B65D
41/56; B65D 41/62; B65D 47/00; B65D
47/06; B65D 47/08; B65D 2251/00;

1 Claim, 6 Drawing Sheets



(56)

References Cited

U.S. PATENT DOCUMENTS

D617,459 S * 6/2010 Bogue D12/197
D662,869 S * 7/2012 Ballard D12/213
D677,161 S * 3/2013 Titherington B65D 50/041
D9/443
D679,597 S * 4/2013 Tamarindo D9/443
D702,543 S * 4/2014 Bell D8/397
D739,239 S * 9/2015 Seifer D9/453
D757,546 S * 5/2016 Seifer D9/453
D760,345 S * 6/2016 Campbell D23/206
D761,653 S * 7/2016 Greenfield D9/453
D782,321 S * 3/2017 Ihorovych D9/453
D806,544 S * 1/2018 Williams D9/445
2011/0220607 A1 * 9/2011 Mukunoki B29C 45/14
215/302
2014/0144913 A1 * 5/2014 Tiefenthaler B60K 15/0406
220/212.5

* cited by examiner

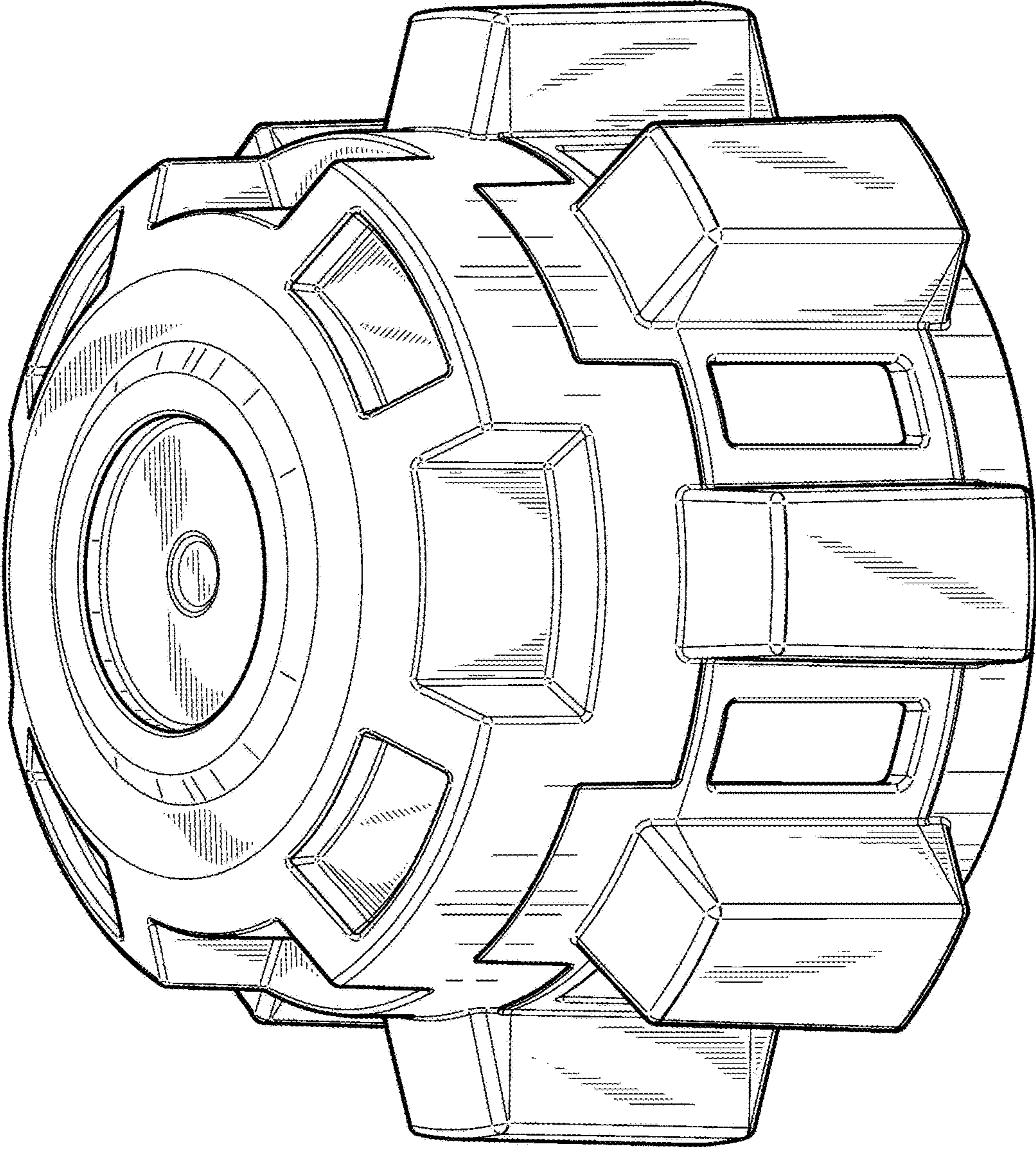


FIG. 1

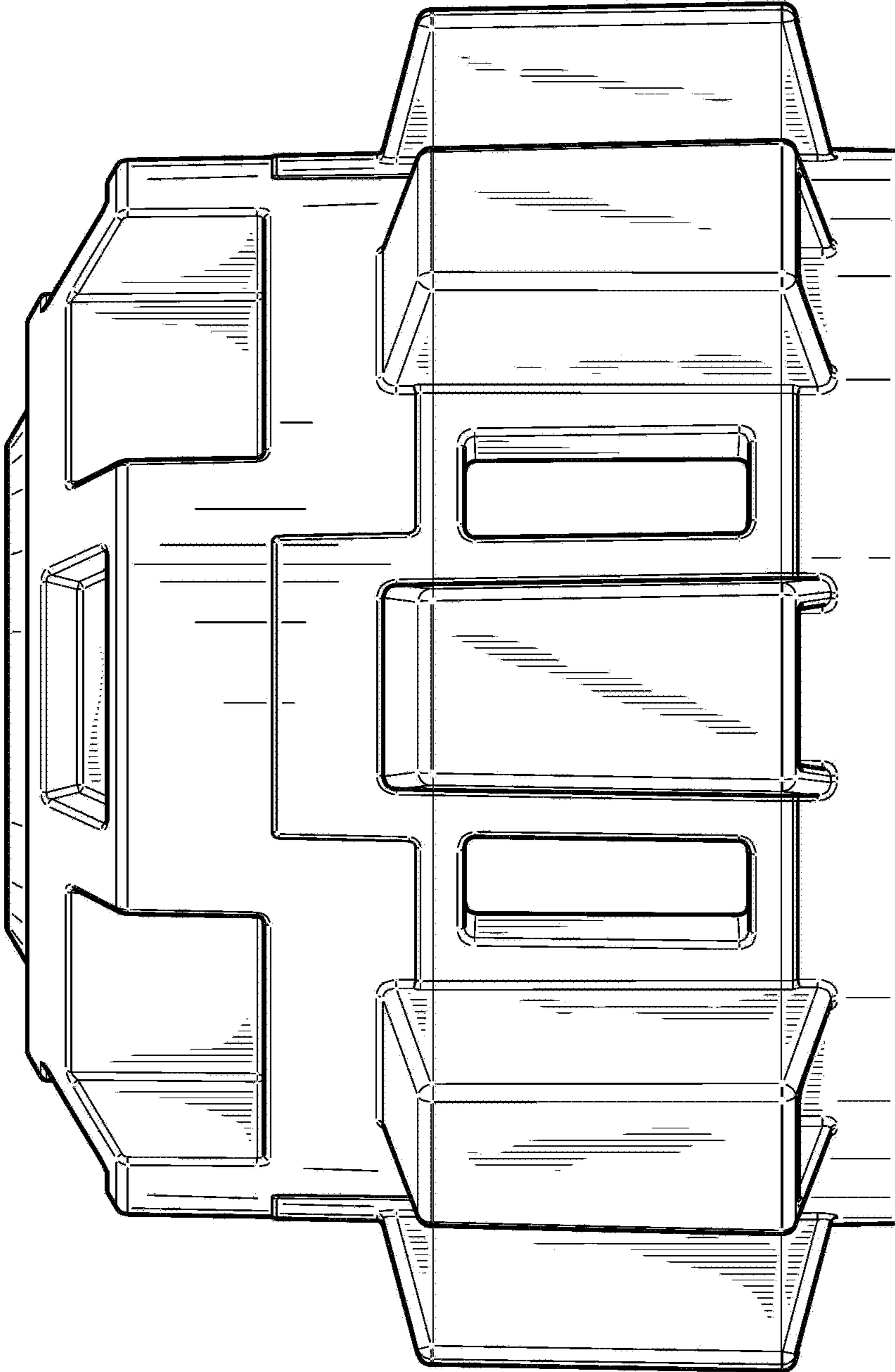


FIG. 2

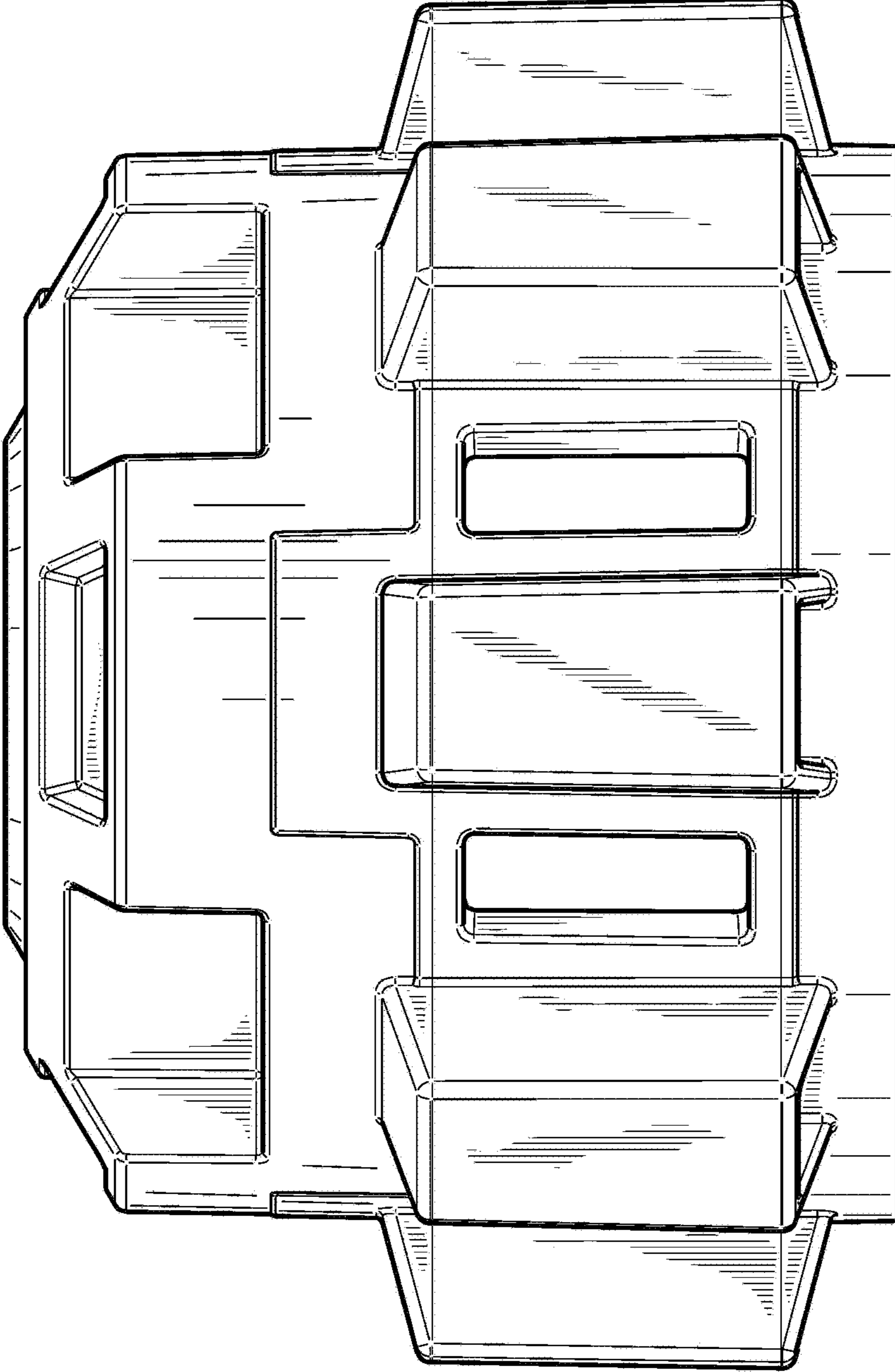


FIG. 3

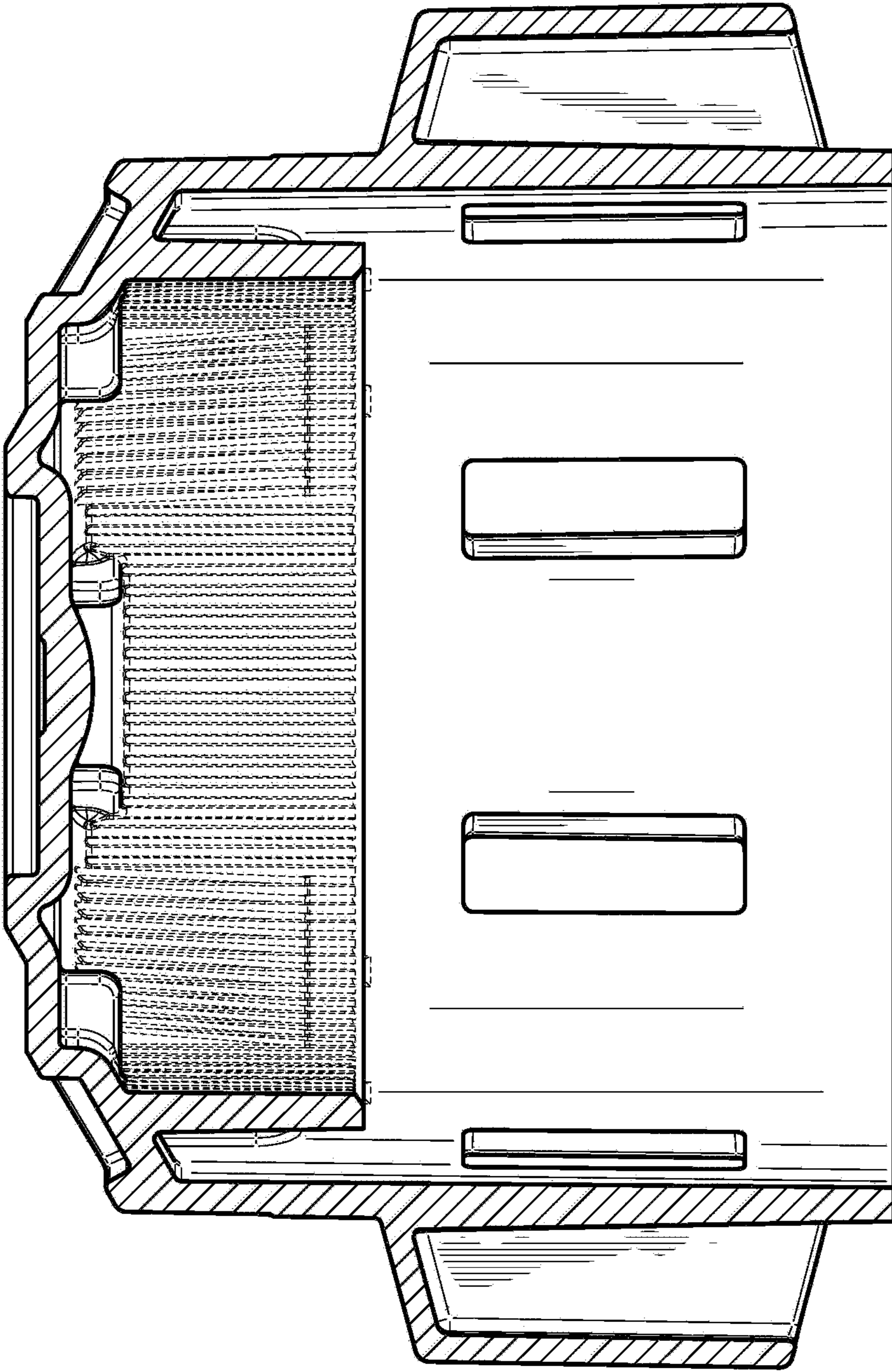


FIG. 4

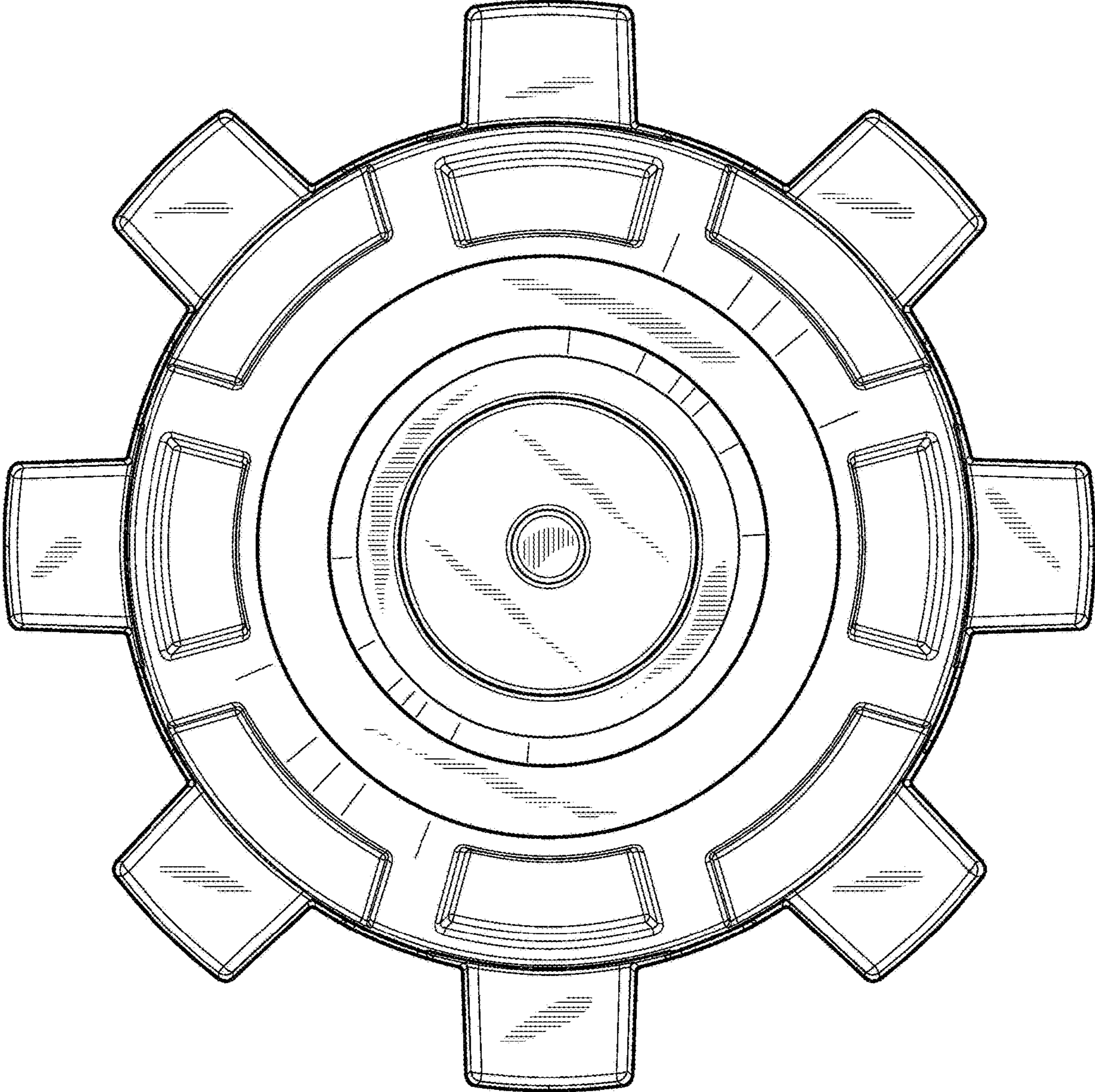


FIG. 5

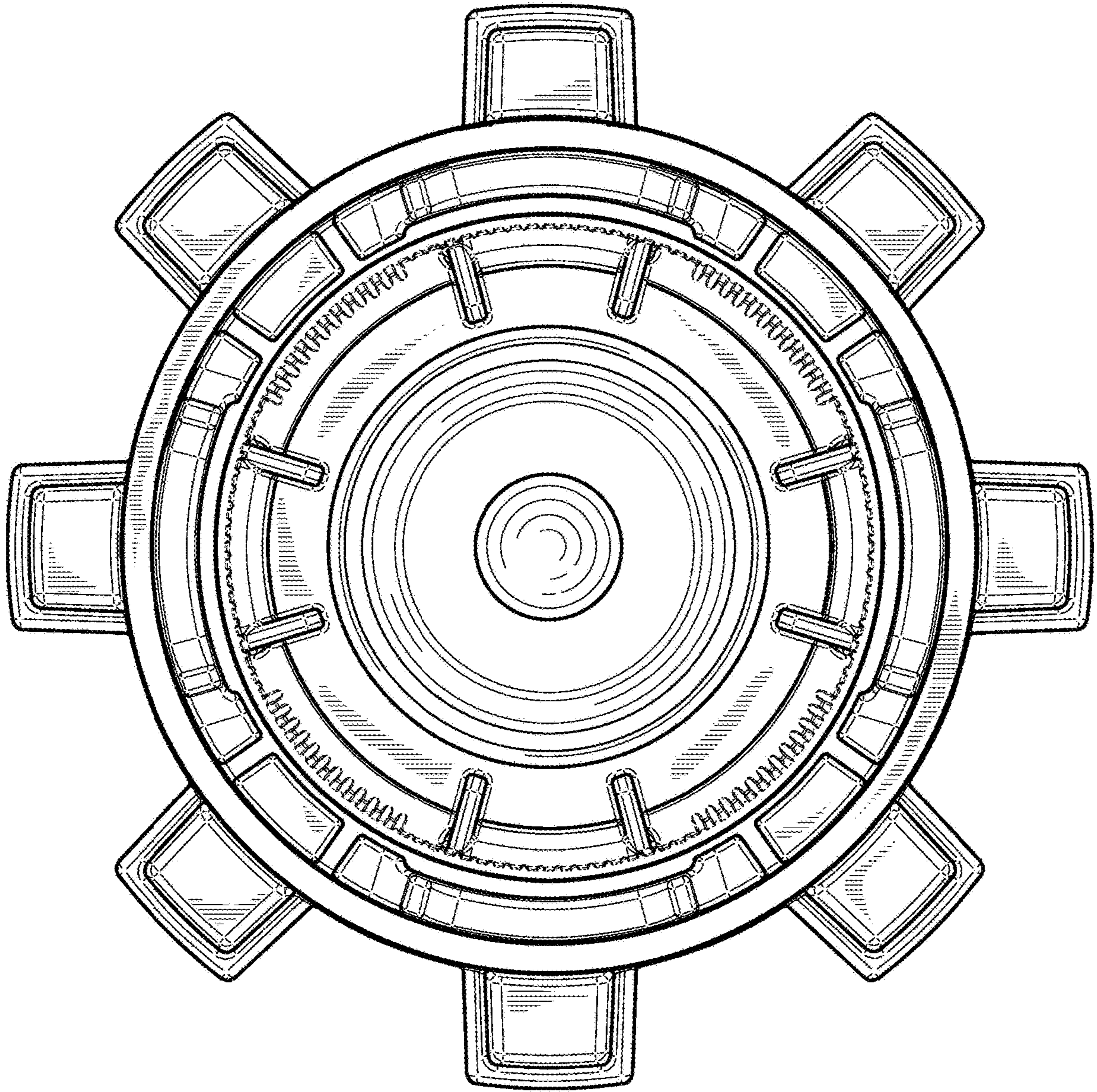


FIG. 6