



US00D906805S

(12) **United States Design Patent**  
**Guduru**

(10) **Patent No.:** **US D906,805 S**  
(45) **Date of Patent:** **\*\* Jan. 5, 2021**

- (54) **BOTTLE CAP WITH UV LED**
- (71) Applicant: **Microlyscs, LLC**, Brooklyn, NY (US)
- (72) Inventor: **Rakesh Guduru**, Weston, FL (US)
- (73) Assignee: **Microlyscs, LLC**, Brooklyn, NY (US)

- D479,995 S 9/2003 Duceppe
- D481,313 S 10/2003 Archer
- D481,801 S 11/2003 Whitley
- D490,315 S 5/2004 Kiser
- D507,744 S 7/2005 Hierzer et al.
- D516,911 S 3/2006 Bloom et al.
- D518,717 S 4/2006 German

(Continued)

- (\*\*) Term: **15 Years**
- (21) Appl. No.: **29/705,353**
- (22) Filed: **Sep. 11, 2019**

**FOREIGN PATENT DOCUMENTS**

- CN 3363924 4/2004
- CN 201958072 9/2011

(Continued)

**Related U.S. Application Data**

- (63) Continuation of application No. 29/680,920, filed on Feb. 21, 2019.
- (51) **LOC (13) Cl.** ..... **09-07**
- (52) **U.S. Cl.**  
USPC ..... **D9/439**; D9/436
- (58) **Field of Classification Search**  
USPC ..... D7/392.1, 396.2, 900; D9/434–436, 440, D9/443–447, 452–454, 499, 449, 439  
CPC ..... B65D 51/24  
See application file for complete search history.

**OTHER PUBLICATIONS**

Gadgetify. CrazyCap UV-C Water Purifier Cap. Apr. 27, 2020. <https://www.gadgetify.com/crazycap-uv-c-water-purifier-cap/> (Year: 2020).\*

(Continued)

*Primary Examiner* — Darcey E Gottschalk  
(74) *Attorney, Agent, or Firm* — Weiss & Arons LLP

(57) **CLAIM**

The ornamental design for a bottle cap with UV LED, as shown and described.

(56) **References Cited**

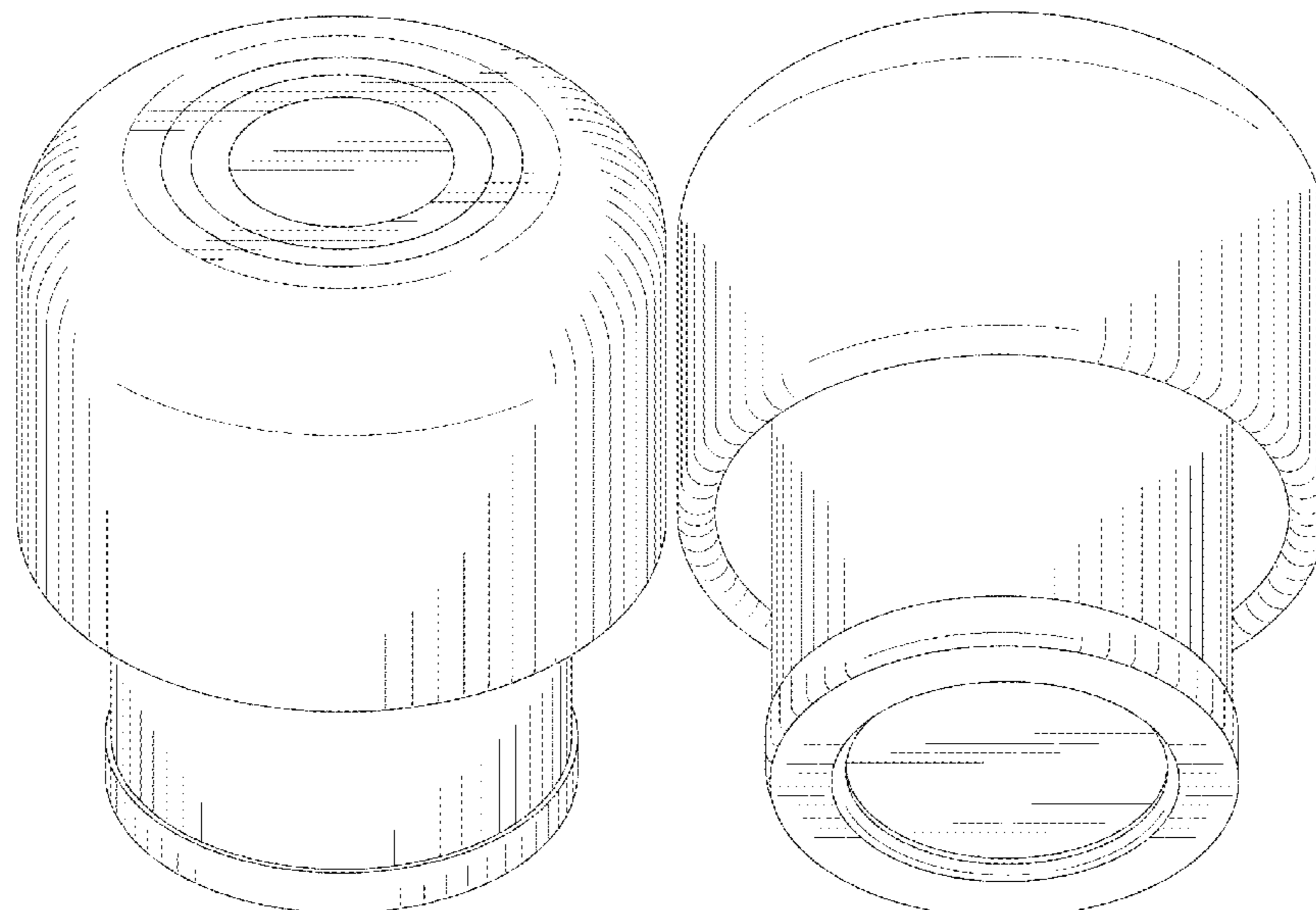
**U.S. PATENT DOCUMENTS**

- 2,139,961 A 12/1938 Kleid
- D153,956 S 5/1949 Lay
- D179,331 S \* 11/1956 Terwilliger ..... D9/439
- D240,716 S 7/1976 Hegi
- D286,027 S 10/1986 Waher et al.
- D292,673 S \* 11/1987 Woodruff ..... D9/439
- D292,674 S 11/1987 Morris et al.
- D310,329 S 9/1990 Schmidt
- D359,683 S \* 6/1995 Beach ..... D9/434
- D444,065 S 6/2001 Crawford et al.
- D444,383 S 7/2001 Crawford et al.
- D444,384 S 7/2001 Crawford et al.
- D449,783 S 10/2001 Crawford et al.

**DESCRIPTION**

FIG. 1 is a top perspective view of a bottle cap with UV LED, showing my new design;  
FIG. 2 is a bottom perspective view thereof;  
FIG. 3 is a front elevation view thereof, the rear, right-side, and left-side elevation views being a mirror image thereof;  
FIG. 4 is a top plan view thereof; and,  
FIG. 5 is a bottom plan view thereof.  
The broken lines depict portions of the bottle cap with UV LED that form no part of the claim.

**1 Claim, 4 Drawing Sheets**



(56)

References Cited

U.S. PATENT DOCUMENTS

D519,029 S 4/2006 Hicks et al.  
 D522,862 S 6/2006 Owens et al.  
 D527,632 S 9/2006 Romer  
 D530,611 S 10/2006 Nusbaum et al.  
 D531,031 S 10/2006 Lussier et al.  
 D534,796 S 1/2007 Falkenburg  
 D534,802 S 1/2007 German  
 D536,966 S 2/2007 Cecere  
 D573,022 S 7/2008 Berman  
 D584,151 S 1/2009 Murphy  
 D617,427 S \* 6/2010 McNamara ..... D23/261  
 D666,908 S 9/2012 Dabah et al.  
 D682,102 S 5/2013 Davis et al.  
 D692,605 S 10/2013 Madonia  
 D707,124 S 6/2014 Blain et al.  
 D708,945 S \* 7/2014 Jetmar ..... D9/439  
 D717,648 S 11/2014 Firestone et al.  
 8,975,596 B1 3/2015 Matthews et al.  
 D729,063 S \* 5/2015 Koop ..... D9/439  
 D730,729 S 6/2015 George  
 D760,080 S 6/2016 Gorbald  
 D768,489 S \* 10/2016 Indruk ..... D9/447  
 D796,326 S 9/2017 Ichikawa et al.  
 D804,306 S 12/2017 Simons et al.  
 D814,856 S 4/2018 Kristinik  
 D818,360 S 5/2018 Oates, II et al.  
 D825,334 S 8/2018 Ristich  
 D829,550 S 10/2018 Brahim et al.  
 D830,799 S \* 10/2018 Najera ..... D8/18  
 D850,189 S \* 6/2019 Burton ..... D7/392  
 D853,183 S \* 7/2019 Adams, Jr. .... D7/392.1  
 D858,284 S 9/2019 Murac et al.  
 D863,959 S 10/2019 Larminaux et al.  
 D866,461 S 11/2019 Arimoto et al.  
 D867,880 S 11/2019 Sacchetti  
 D871,133 S 12/2019 Bullock et al.  
 D875,524 S 2/2020 Holmes et al.  
 D878,915 S \* 3/2020 Parzych ..... D9/439  
 2011/0147335 A1 \* 6/2011 Garcia ..... B65D 47/12  
 215/230

FOREIGN PATENT DOCUMENTS

CN 302727271 1/2014  
 CN 302968555 10/2014  
 EM 000070271-0002 2/2004  
 JP D1354222 3/2009  
 JP D1470125 5/2013  
 JP D1470126 5/2013  
 JP D1502553 7/2014

JP D1512556 11/2017  
 KR 30-0967435 8/2018  
 KR 30-0970565 8/2018  
 KR 30-0996685 3/2019  
 WO WO2013173953 11/2013  
 WO WO2014187524 11/2014

OTHER PUBLICATIONS

“CrazyCap-A Bottle Cap Emits UVC LED Light-Ray to Eliminate Bacteria and Viruses from Your Bottle,” <http://www.tuvie.com/crazycap-a-bottle-cap-emits-uvc-led-light-ray-to-eliminate-bacteria-and-viruses-from-your-bottle/>, Retrieved on Nov. 18, 2019.  
 “LARQ Bottle,” <http://www.blessthisstuff.com/stuff/culture/drinks/larq-bottle/>, Bless This Stuff, Retrieved on Nov. 18, 2019.  
 Benjamin Burriss, “UV-A Anti Microbe Bottle,” <https://benburriss.myportfolio.com/uv-a-anti-microbe-bottle>, Adobe Portfolio, Retrieved on Nov. 18, 2019.  
 “N-Hug-World’s Smartest Self-cleaning Water Bottle,” <https://www.indiegogo.com/projects/n-hug-worlds-s-smartest-selfcleaning-water-bottle/#/>, Indiegogo, Inc., Jun. 3, 2019.  
 “Liz-The Smartest Self-Cleaning Bottle,” <https://www.indiegogo.com/projects/liz-the-smartest-self-cleaning-bottle/#/>, Indiegogo, Inc., Sep. 13, 2019.  
 “LED And UV Light Filtration Concept,” <https://www.samastles.com/light-filter>, Samantha Astles, Retrieved on Nov. 18, 2019.  
 Dr. Rakesh Guduru, “CrazyCap-Portable Sterilization System Campaign,” <https://www.kickstarter.com/projects/1064892678/crazycap-portable-water-sterilization-system>, Kickstarter, PBC, Jan. 17, 2019.  
 Dr. Rakesh Guduru, “CrazyCap-Portable Sterilization System Updates,” <https://www.kickstarter.com/projects/1064892678/crazycap-portable-water-sterilization-system/posts>, Kickstarter, PBC, Jan. 17, 2019.  
 “Microlyscs Has a Better Alternative to Single-Use Plastic Water Bottles,” <https://www.newkerala.com/news/read/83249/microlyscs-has-a-better-alternative-to-single-use-plastic-water-bottles.html>, Microlyscs LLC, Dec. 27, 2018.  
 “Microlyscs.com,” Retrieved from Internet: URL: <https://web.archive.org/web/20190224040830/https://microlyscs.com/>, Feb. 24, 2019.  
 Application No. EP20153685, European Search Report, dated Aug. 21, 2020.  
 Web Packaging. Auto-cleaning replacement cap for water bottles. Feb. 20, 2019. <https://www.webpackaging.com/en/portals/microlyscs/assets/12572243/auto-cleaning-replacement-cap-for-water-bottles/> (Year: 2019).  
 Boring Portal. Crazycap, A UV-Emitting Water Bottle Cap That Purify Water. Feb. 2, 2019. <https://boringportal.com/crazycap-water-bottle/> (Year: 2019).

\* cited by examiner

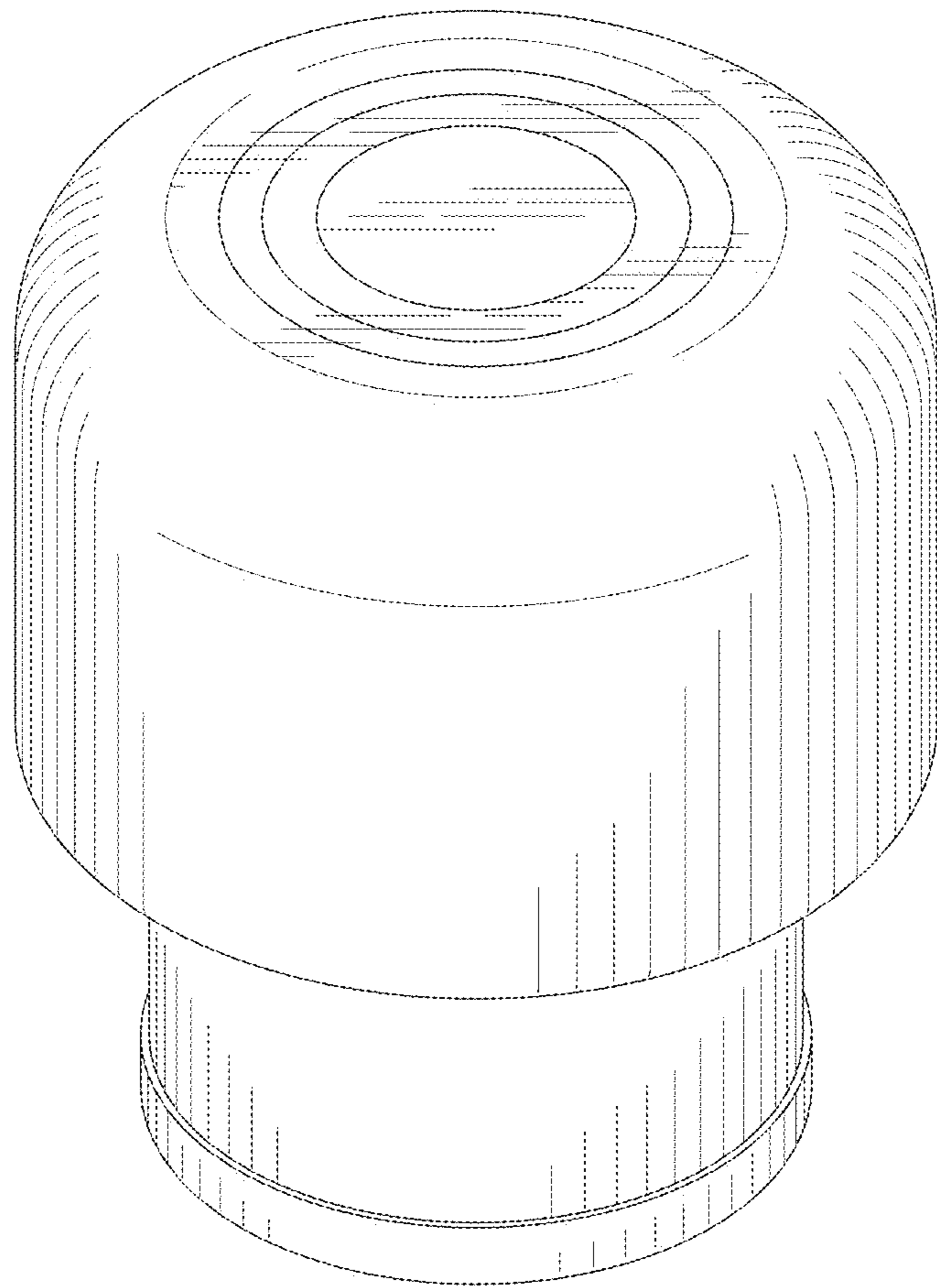


FIG. 1

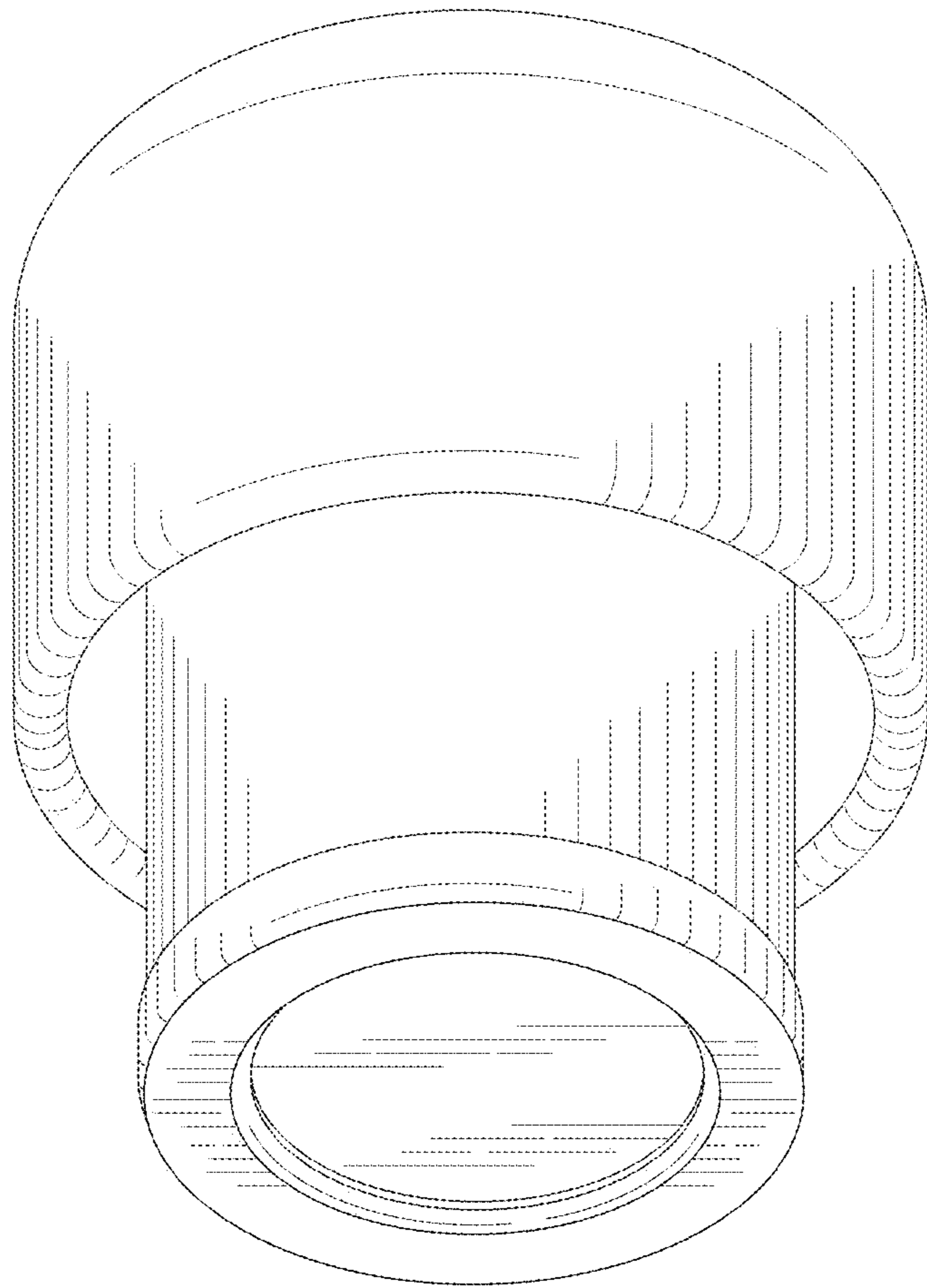


FIG. 2

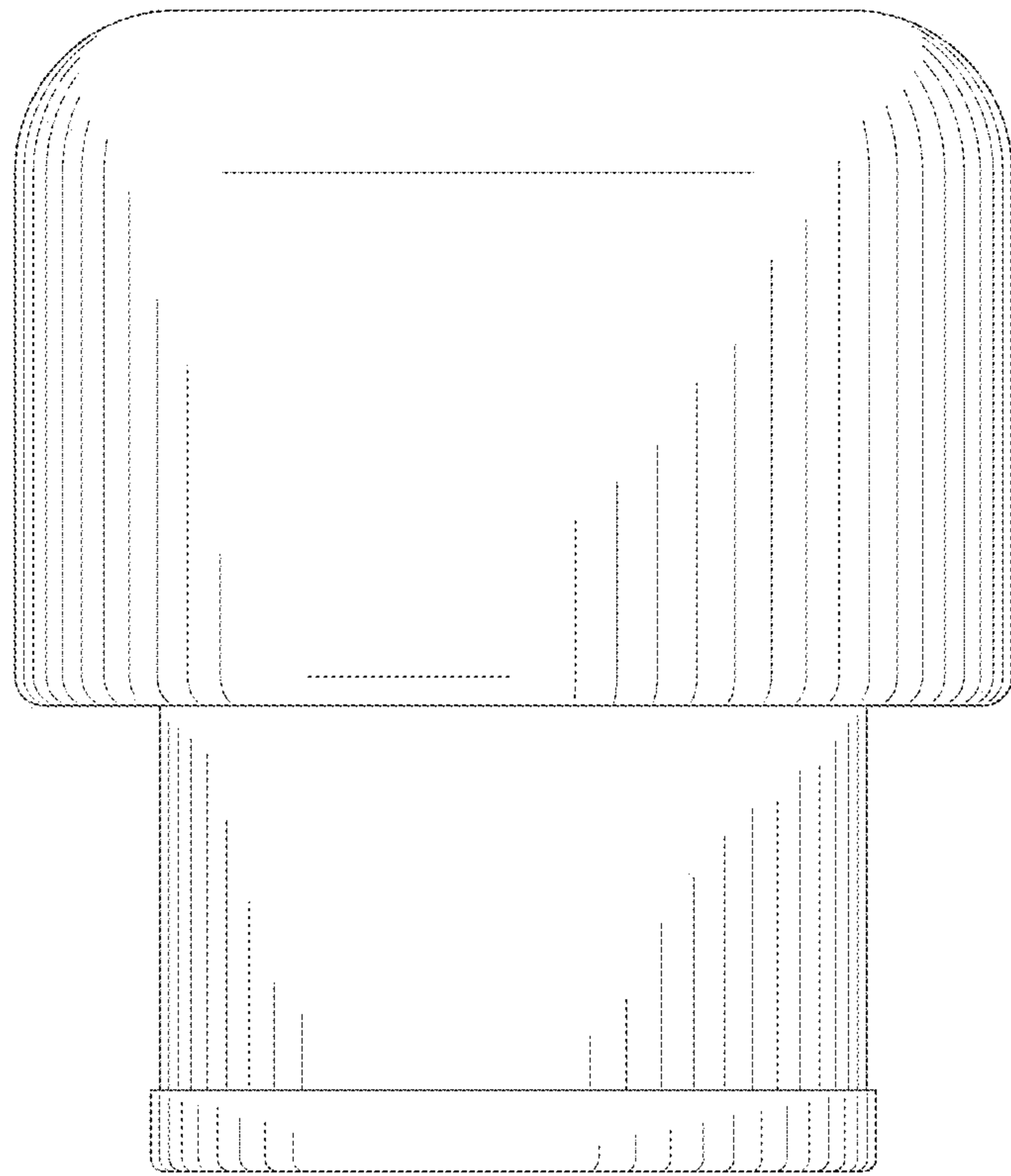


FIG.3



FIG. 4

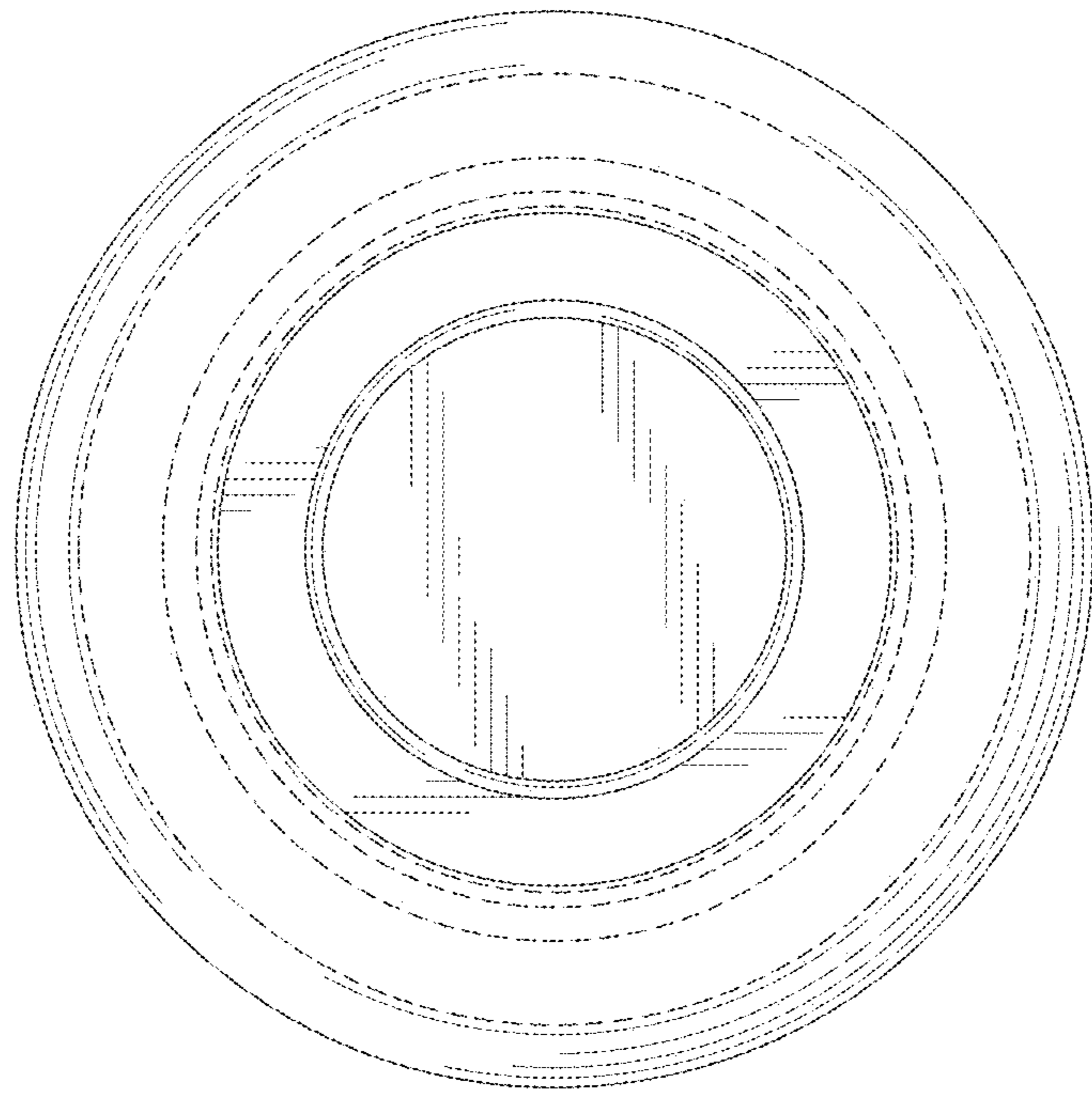


FIG. 5