

US00D906801S

(12) **United States Design Patent** (10) **Patent No.:** **US D906,801 S**  
**Ryan et al.** (45) **Date of Patent:** **\*\* Jan. 5, 2021**

- (54) **CONTAINER**
- (71) Applicant: **Chobani LLC**, Norwich, NY (US)
- (72) Inventors: **Christopher Ryan**, Fairfield, CT (US);  
**John-Yves Latour**, Utica, NY (US)
- (73) Assignee: **Chobani LLC**, Norwich, NY (US)
- (\*\*) Term: **15 Years**
- (21) Appl. No.: **29/642,454**
- (22) Filed: **Mar. 29, 2018**
- (51) **LOC (13) Cl.** ..... **09-03**
- (52) **U.S. Cl.**  
USPC ..... **D9/428**
- (58) **Field of Classification Search**  
USPC ..... D7/400, 601, 608; D9/416, 417, 420,  
D9/425-429, 430, 432, 761; 206/499,  
206/501, 502, 821; 220/625, 656, 669,  
220/670, 674; 229/123.1, 123.2, 125.33,  
229/125.35, 400-407, 915, 939  
CPC . B65D 1/26; B65D 1/40; B65D 5/243; B65D  
81/3453; B65D 2581/34; B65D  
2581/3404; B65D 2581/3456  
See application file for complete search history.

- D607,727 S 1/2010 Takata et al.
- D613,598 S 4/2010 Westphal
- D642,454 S 8/2011 Santoiemmo
- D649,054 S 11/2011 Sharma et al.
- D651,508 S \* 1/2012 Layfield ..... D9/416
- D651,865 S 1/2012 Smyers
- D651,866 S 1/2012 Smyers
- D657,252 S 4/2012 Crapser et al.
- D660,656 S \* 5/2012 Gilbert ..... D7/629
- D665,663 S 8/2012 Krupa
- D673,054 S 12/2012 Kim et al.
- D675,929 S 2/2013 Park et al.
- D683,079 S \* 5/2013 Schmidt ..... D29/122
- D684,459 S 6/2013 Stowe et al.
- D685,263 S 7/2013 Danenberg
- D692,759 S 11/2013 Rapparini

(Continued)

*Primary Examiner* — Janice Patyk  
(74) *Attorney, Agent, or Firm* — Wood Herron & Evans  
LLP

(57) **CLAIM**

The ornamental design for a container, as shown and described.

**DESCRIPTION**

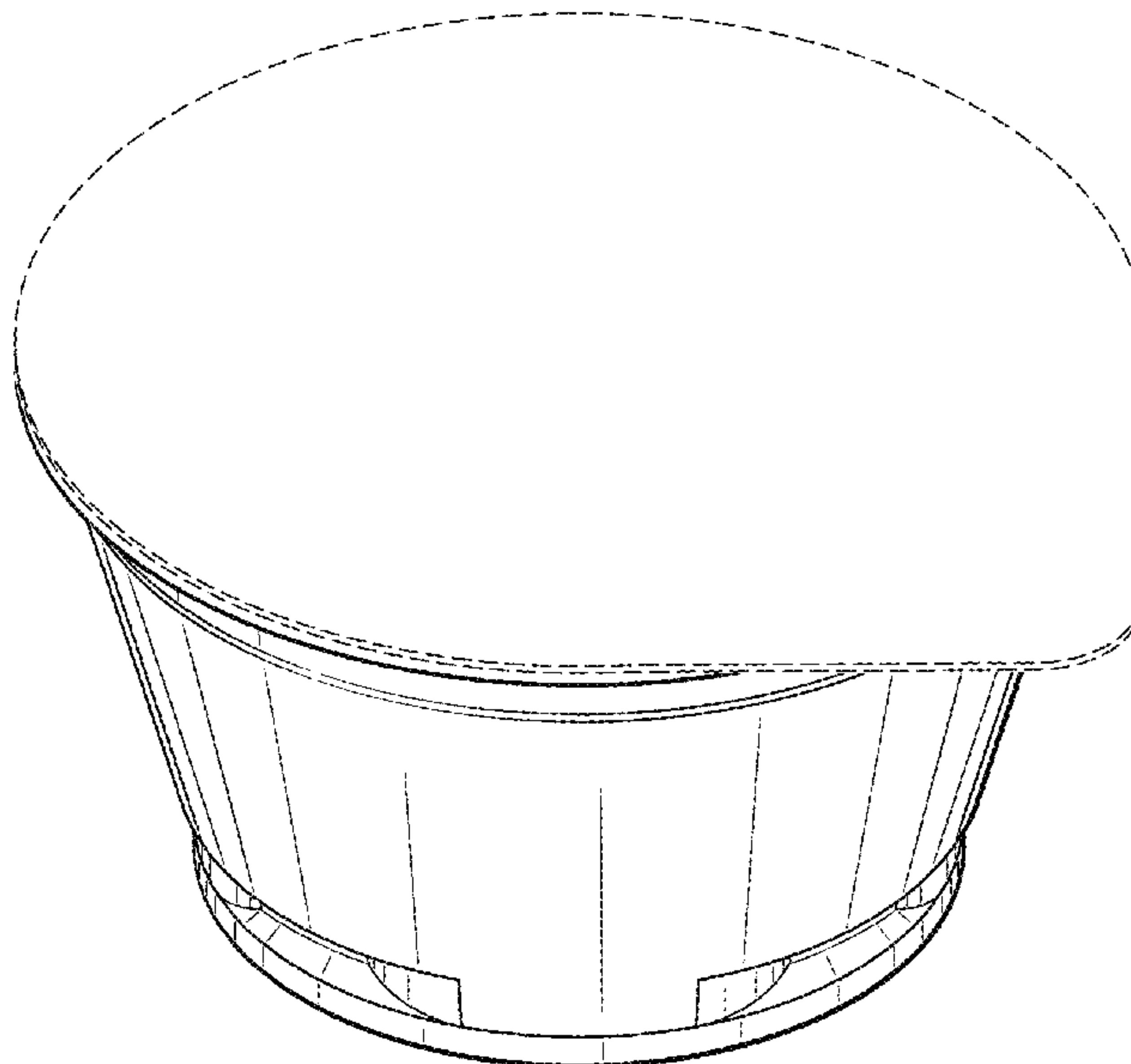
FIG. 1 is a top, front perspective view of a container, showing our new design.  
 FIG. 2 is a front elevation view thereof, the rear elevation view being the same.  
 FIG. 3 is a left side elevation view thereof, the right side elevation view being a mirror image thereof.  
 FIG. 4 is a side elevation view thereof, rotated 45 degrees from the orientation shown in FIG. 2.  
 FIG. 5 is a top plan view thereof.  
 FIG. 6 is a bottom plan view thereof; and,  
 FIG. 7 is a cross-sectional view thereof, taken along line 7-7 in FIG. 3.  
 The broken lines in the figures illustrate portions of the container that form no part of the claimed design.

**1 Claim, 7 Drawing Sheets**

(56) **References Cited**

**U.S. PATENT DOCUMENTS**

- D257,931 S 1/1981 Conti
- D469,688 S 2/2003 Kim et al.
- D511,458 S \* 11/2005 Dunwoody ..... D9/500
- D532,689 S \* 11/2006 Rotta ..... D9/611
- D562,148 S \* 2/2008 Park ..... D9/428
- D584,110 S \* 1/2009 Hauser ..... D7/629
- D603,266 S 11/2009 Dibnah et al.
- D606,402 S 12/2009 Diss
- D606,404 S 12/2009 Diss
- D606,405 S 12/2009 Takata et al.
- D606,406 S 12/2009 Takata et al.



(56)

**References Cited**

U.S. PATENT DOCUMENTS

D697,801 S	1/2014	Rapparini	
D702,338 S *	4/2014	Jones .....	D23/393
D732,386 S *	6/2015	Paton .....	D9/428
D733,553 S *	7/2015	Henderson .....	D9/500
D733,555 S *	7/2015	Brady .....	D9/428
D751,385 S	3/2016	Rapparini	
D753,483 S *	4/2016	Accursi .....	D9/429
D757,500 S *	5/2016	Hauser .....	D7/665
D764,270 S	8/2016	Paton et al.	
D764,871 S	8/2016	Touchet et al.	

\* cited by examiner

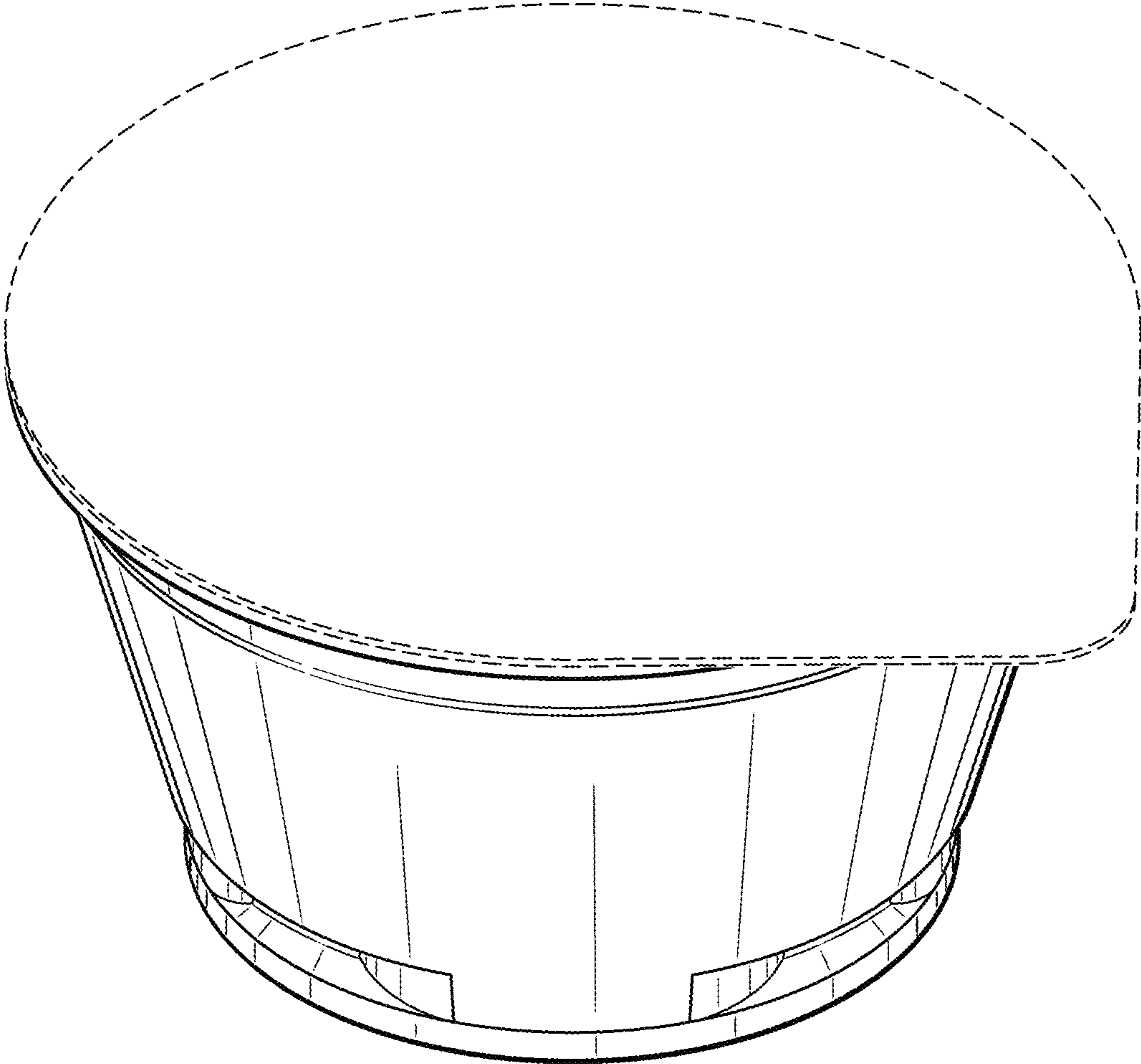


FIG. 1

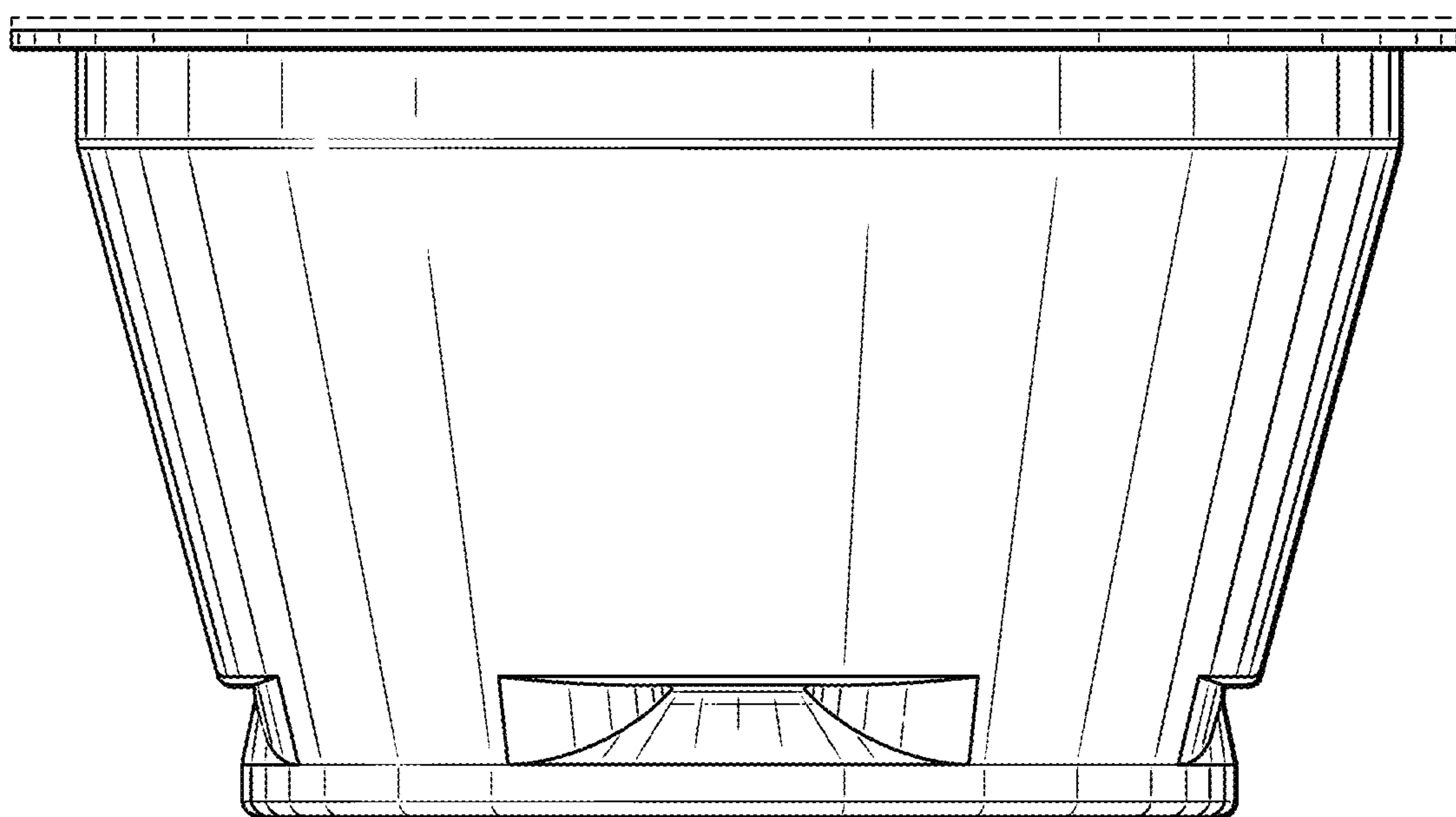


FIG. 2

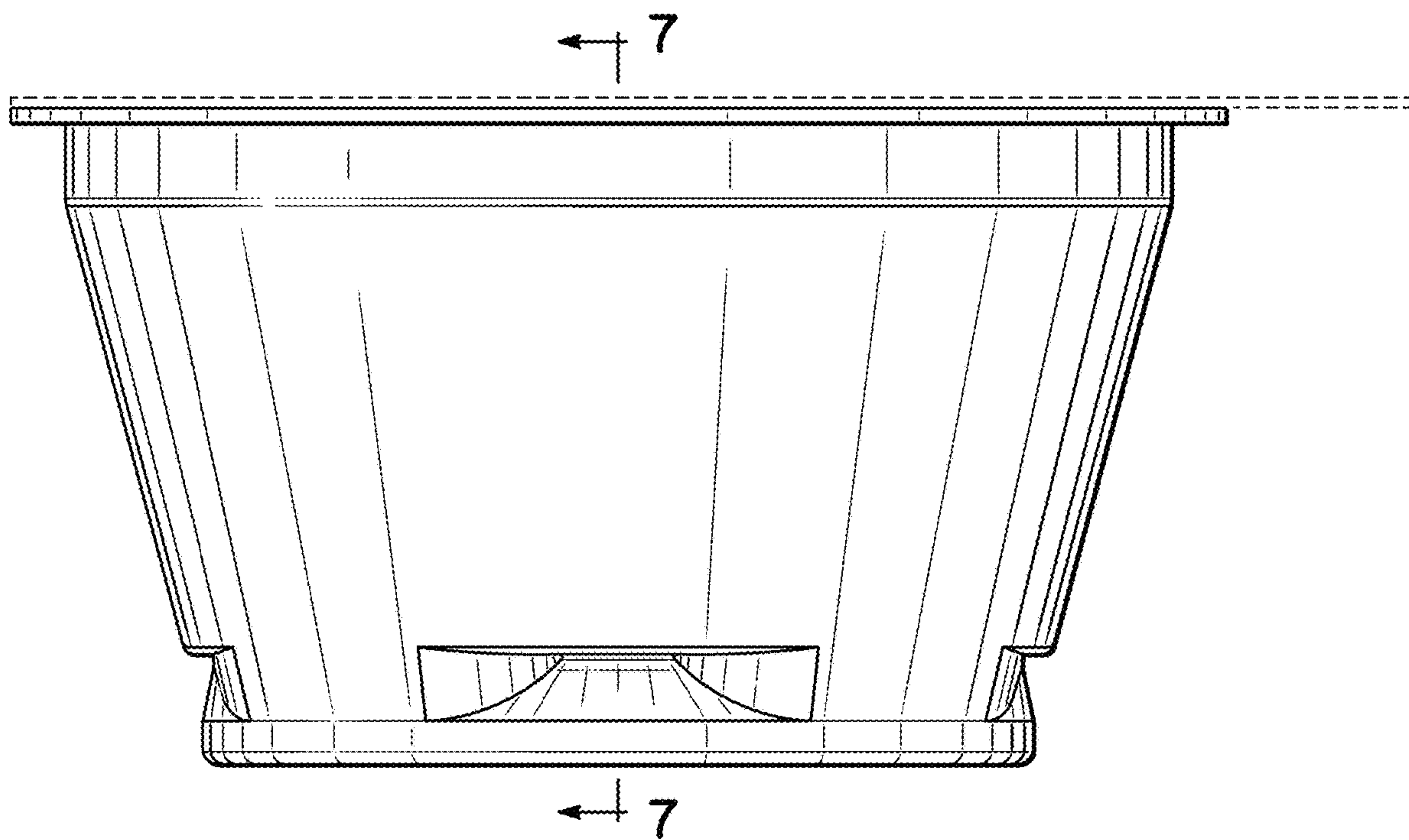


FIG. 3

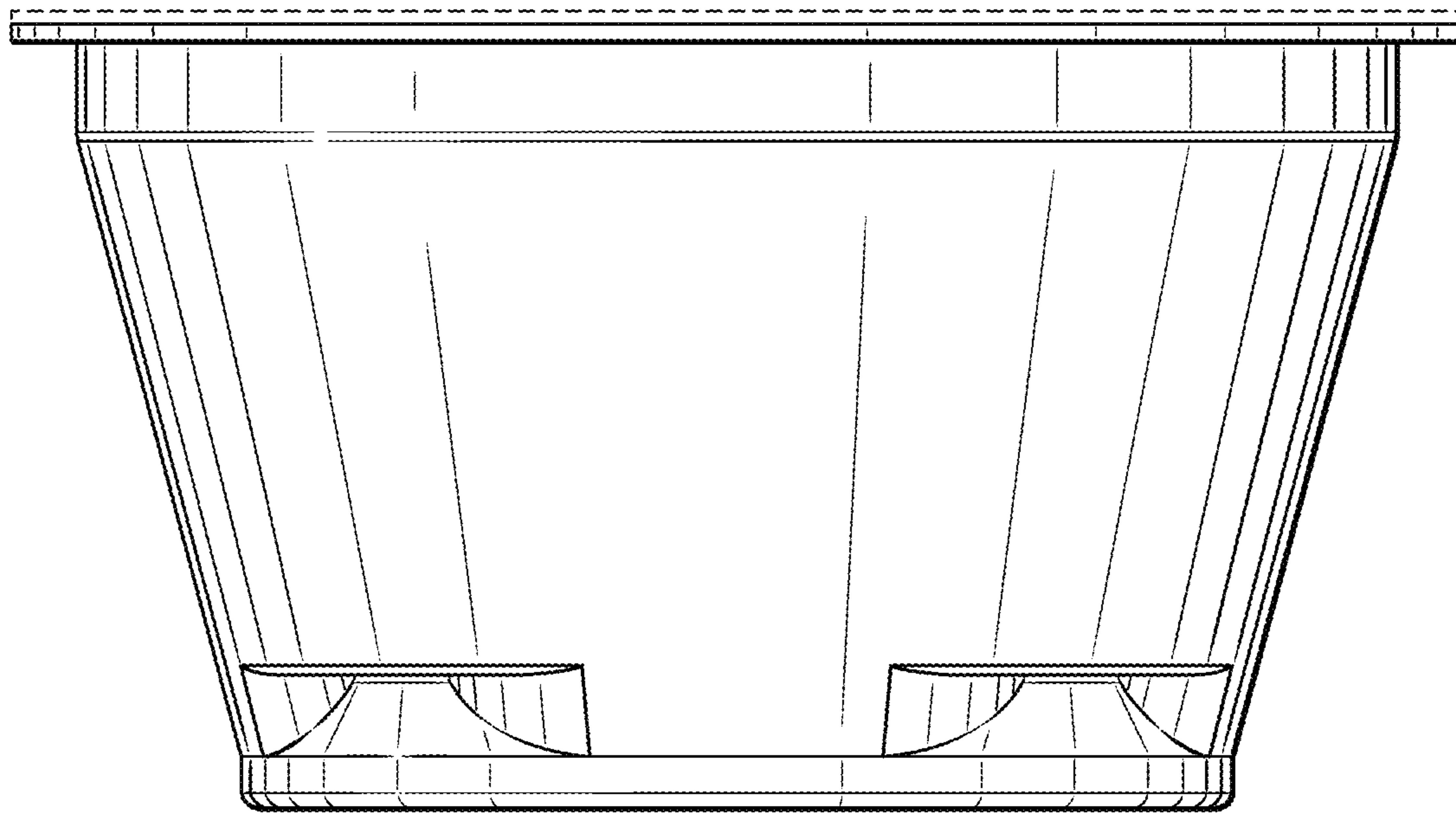


FIG. 4

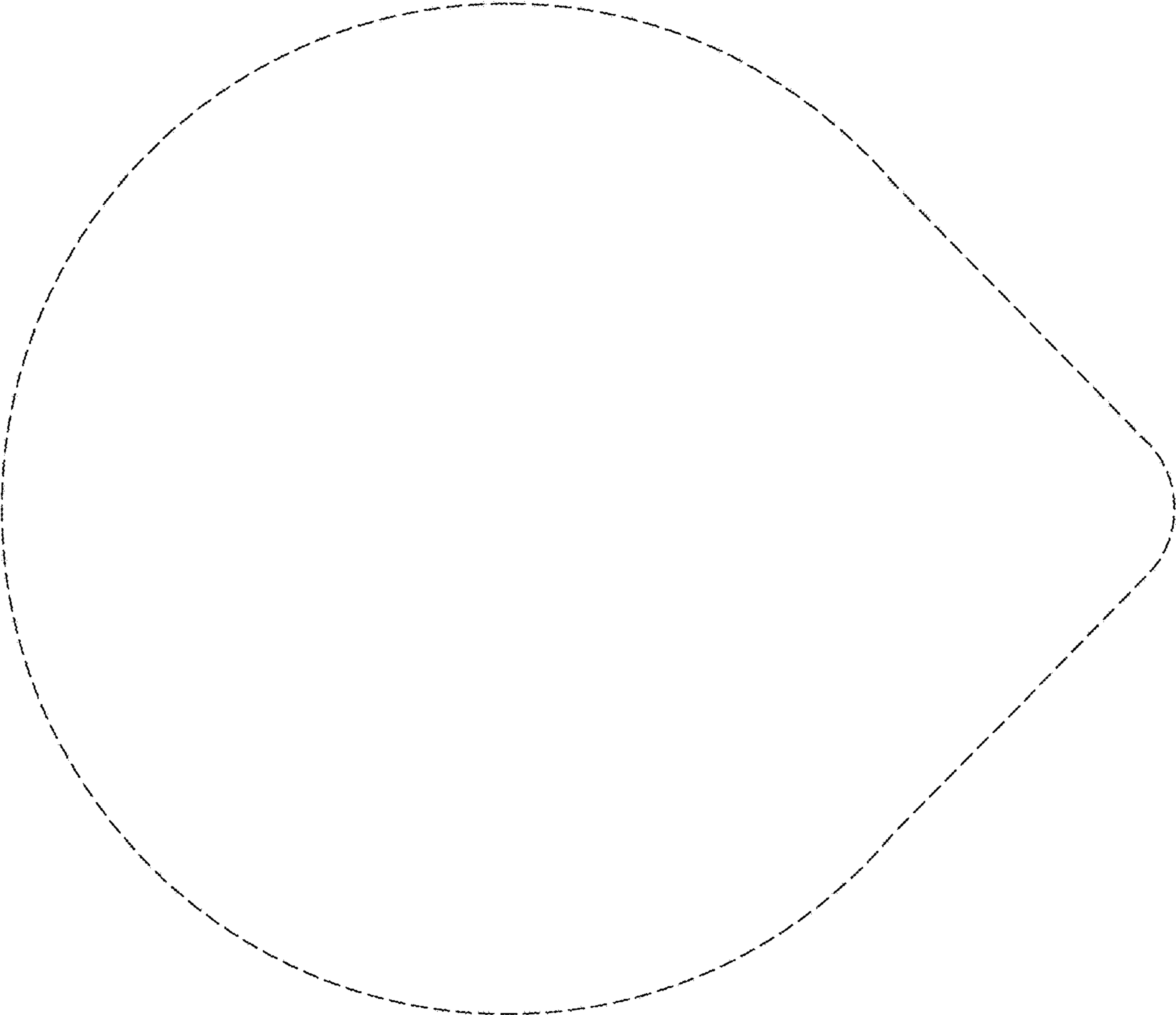


FIG. 5



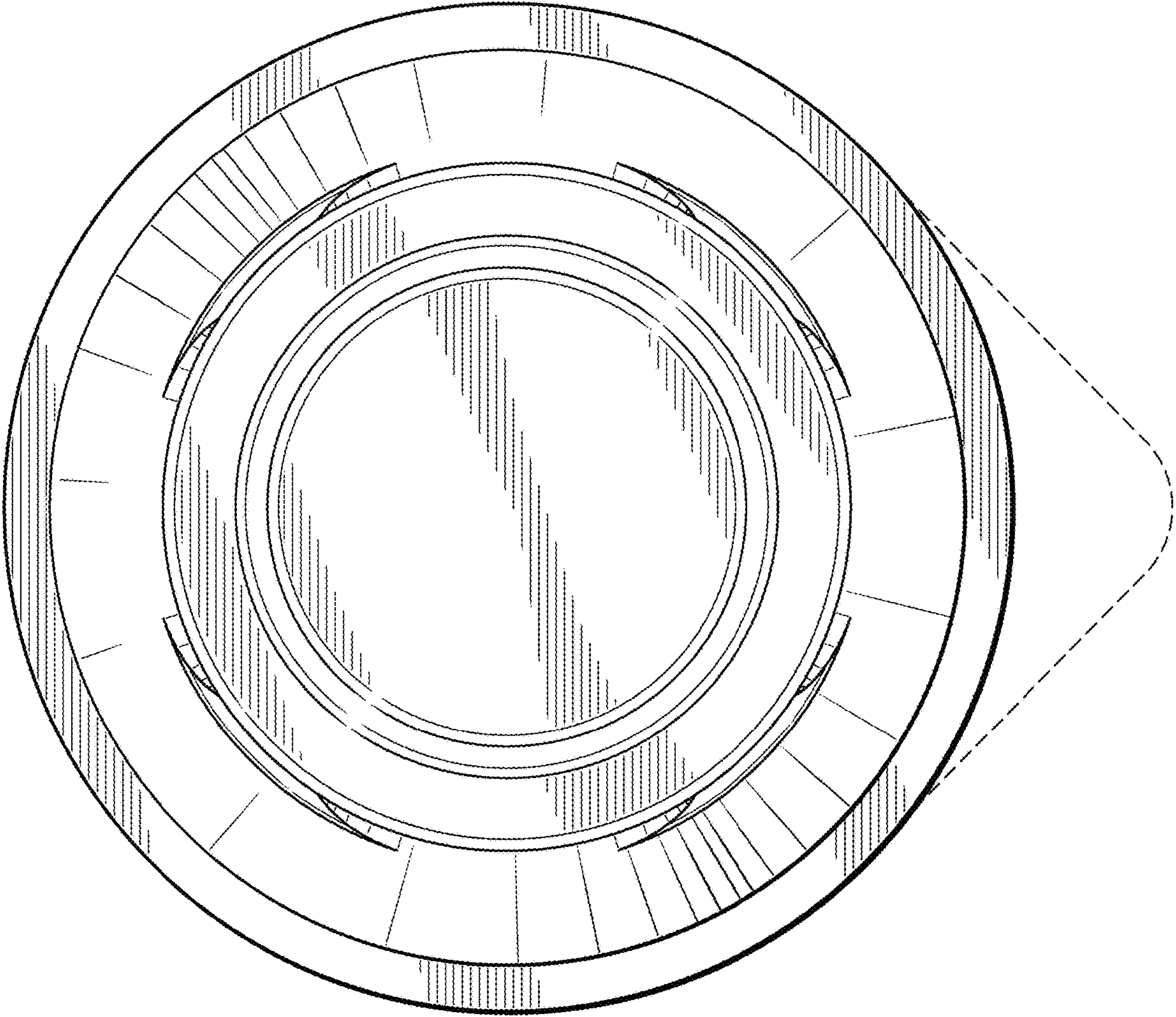


FIG. 6



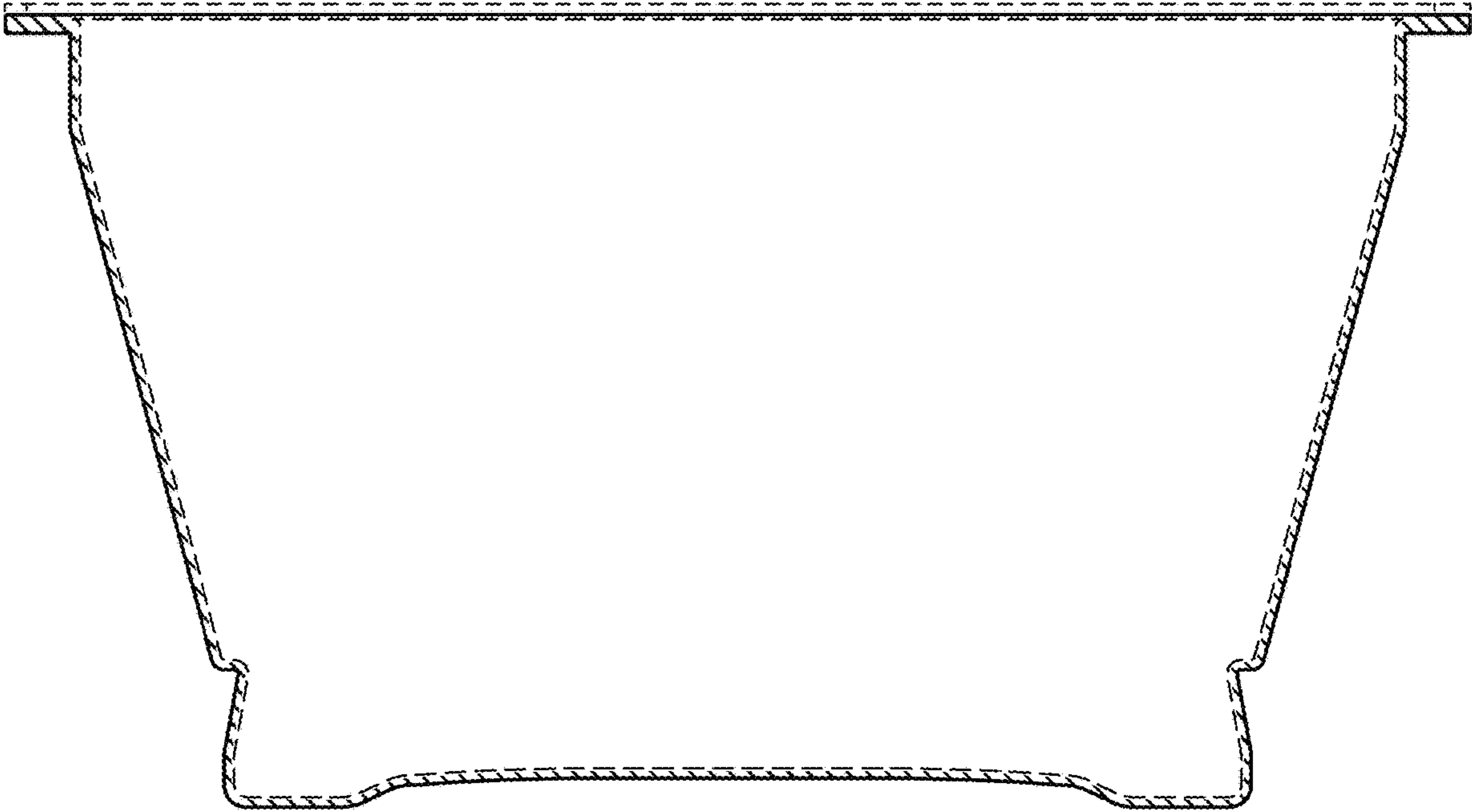


FIG. 7