



US00D906799S

(12) **United States Design Patent**
McCay et al.

(10) **Patent No.:** **US D906,799 S**
(45) **Date of Patent:** **** Jan. 5, 2021**

- (54) **VACUUM PACKAGE**
- (71) Applicant: **Blue Buffalo Enterprises, Inc.**, Wilton, CT (US)
- (72) Inventors: **James E McCay**, Fairfield, CT (US); **Anthony W Swenson**, Blaine, MN (US); **Trond Erik Tollefsen**, London (GB); **Tal A Tostenson**, Rogers, MN (US)
- (73) Assignee: **Blue Buffalo Enterprises, Inc.**, Wilton, CT (US)
- (**) Term: **15 Years**
- (21) Appl. No.: **29/722,273**
- (22) Filed: **Jan. 28, 2020**
- (51) **LOC (13) Cl.** **09-03**
- (52) **U.S. Cl.**
USPC **D9/424**
- (58) **Field of Classification Search**
USPC D7/601, 602, 629, 630; D9/414, 424, D9/425-429, 430, 432, 761
CPC B65D 2543/00194; B65D 43/02; B65D 17/4011; B65D 75/5855; B65D 2401/15; B65D 77/2032; B65D 81/2015; B65D 2543/00101; B65D 21/0233
See application file for complete search history.

- 6,446,827 B1 * 9/2002 Akins B44D 3/12 220/570
 - D514,440 S 2/2006 Snedden et al.
 - D547,177 S 7/2007 Sherman et al.
 - 7,946,422 B1 * 5/2011 Bjerke B65D 43/162 206/546
 - D651,470 S * 1/2012 Henderson D7/554.3
 - D666,904 S * 9/2012 Snedden D9/424
- (Continued)

FOREIGN PATENT DOCUMENTS

- EP 389792 10/1990
- EP 1209085 5/2002

Primary Examiner — Lauren R Calve
(74) *Attorney, Agent, or Firm* — Diederiks & Whitelaw, PLC; Annette M. Frawley, Esq.

(57) **CLAIM**

The ornamental design for a vacuum package, as shown and described.

DESCRIPTION

FIG. 1 is an upper perspective view of a vacuum package according to our new design shown with an upper lid and a lower seal with a pull tab in broken lines for illustrative purposes only;

FIG. 2 is a bottom perspective view thereof;

FIG. 3 is a front view view of the vacuum package;

FIG. 4 is a rear view of the vacuum package;

FIG. 5 is a right view of the vacuum package;

FIG. 6 is a left view of the vacuum package;

FIG. 7 is a bottom view of the vacuum package; and,

FIG. 8 is a top view of the vacuum package.

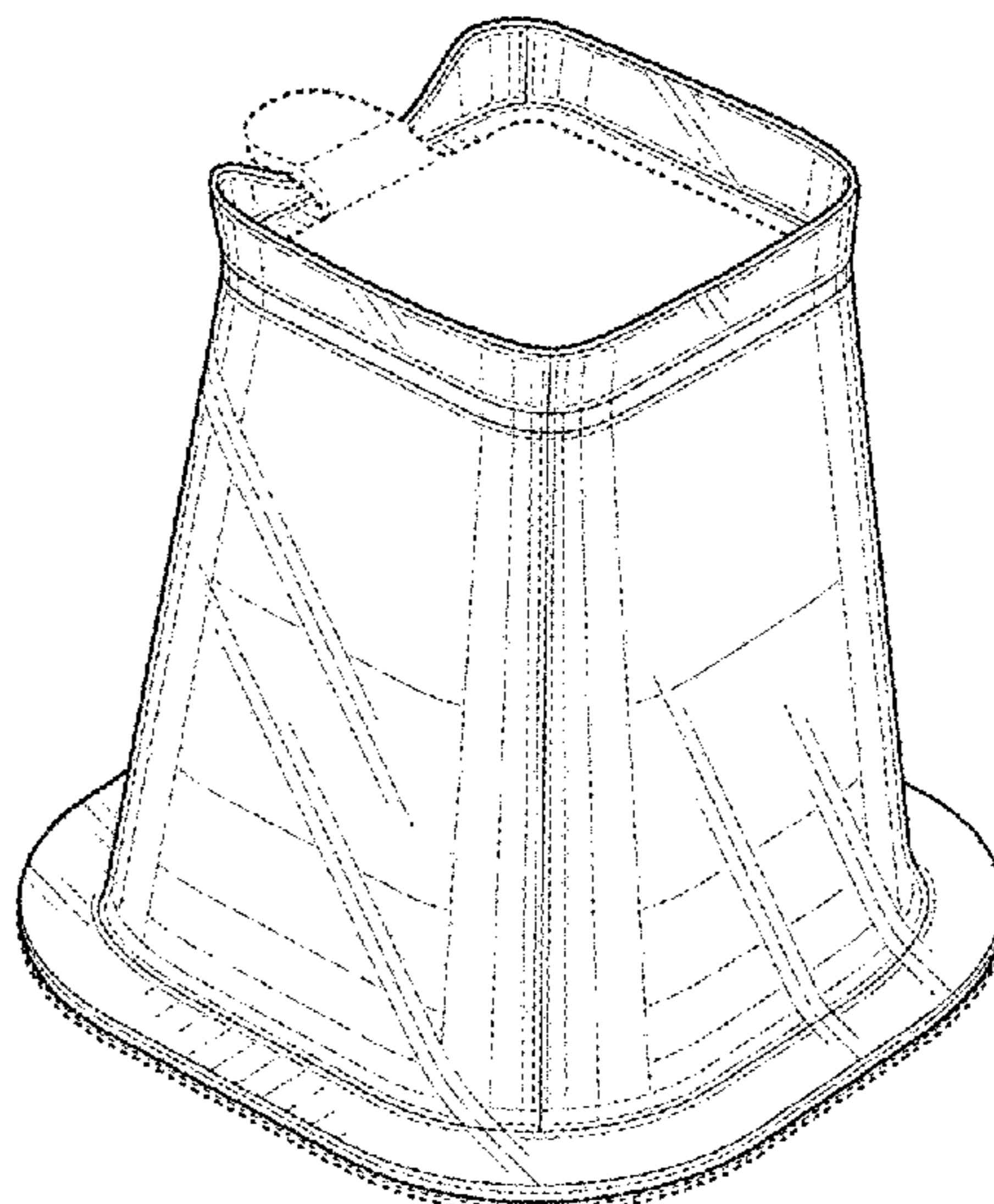
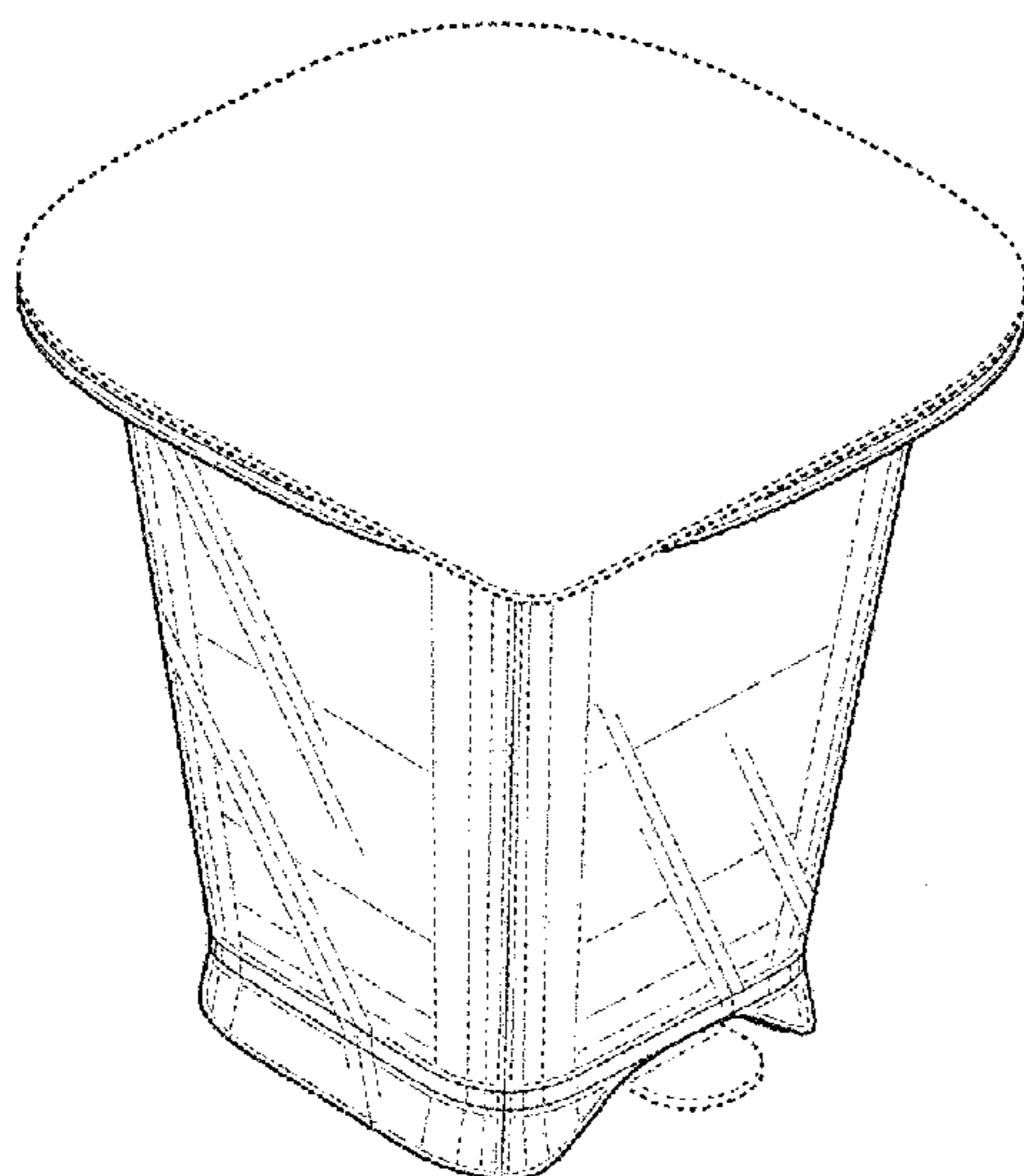
In FIGS. 1 and 2, broken lines are used to disclose environment structures related to the claimed design for illustrative purposes and form no part of the claimed design. The broken lines in FIGS. 1 and 2 are used to show an upper lid and a lower seal with a pull tab for the vacuum package, for illustrative purposes only.

1 Claim, 5 Drawing Sheets

(56) **References Cited**

U.S. PATENT DOCUMENTS

- 2,606,586 A * 8/1952 Hill B65D 21/0233 220/802
- 3,166,234 A 1/1965 Amberg
- D260,487 S 9/1981 Grubman et al.
- 4,883,198 A 11/1989 Manska
- 4,976,367 A 12/1990 Hoefler
- D336,244 S 6/1993 Arai
- 5,782,373 A 7/1998 Bianchi
- D418,056 S 12/1999 Johnson



(56)

References Cited

U.S. PATENT DOCUMENTS

D692,297	S	10/2013	Wintolders et al.	
D739,475	S	* 9/2015	Reed	D21/472
D793,860	S	* 8/2017	Keller	D9/431
D801,805	S	11/2017	Pensler	
D814,312	S	* 4/2018	Lemcke	D9/702
D869,955	S	* 12/2019	Kilduff	D9/560

* cited by examiner

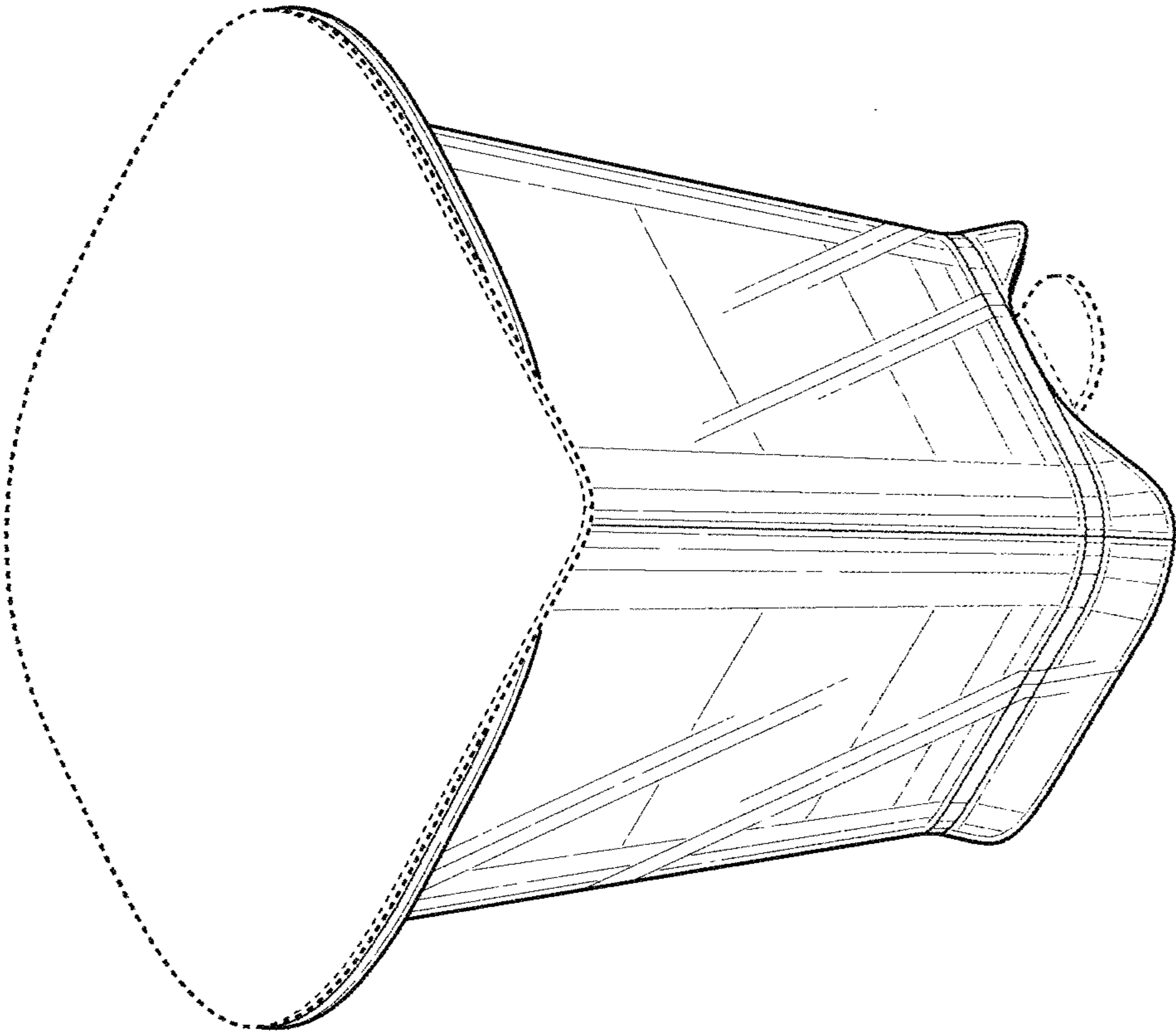


FIG. 1

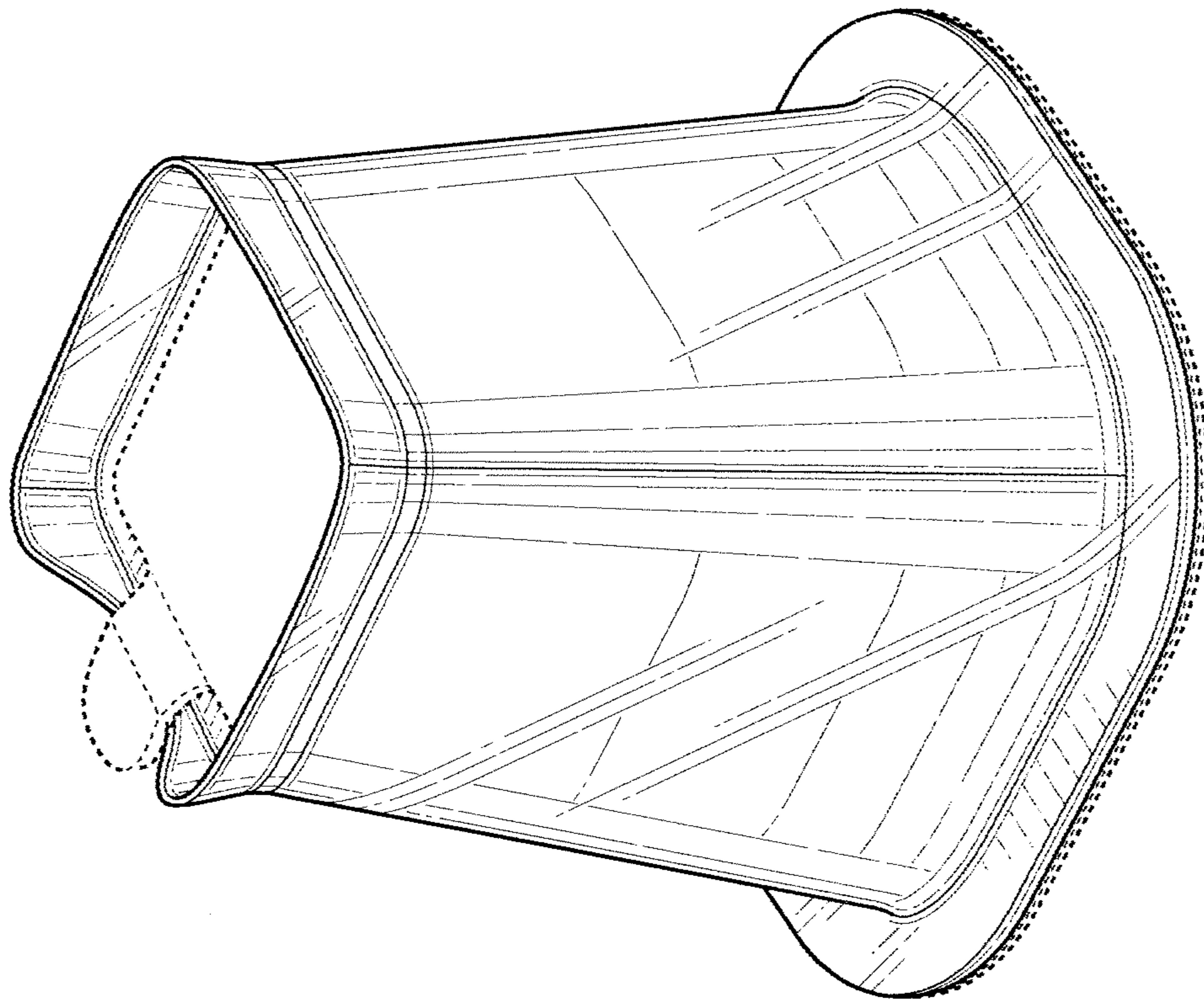


FIG. 2

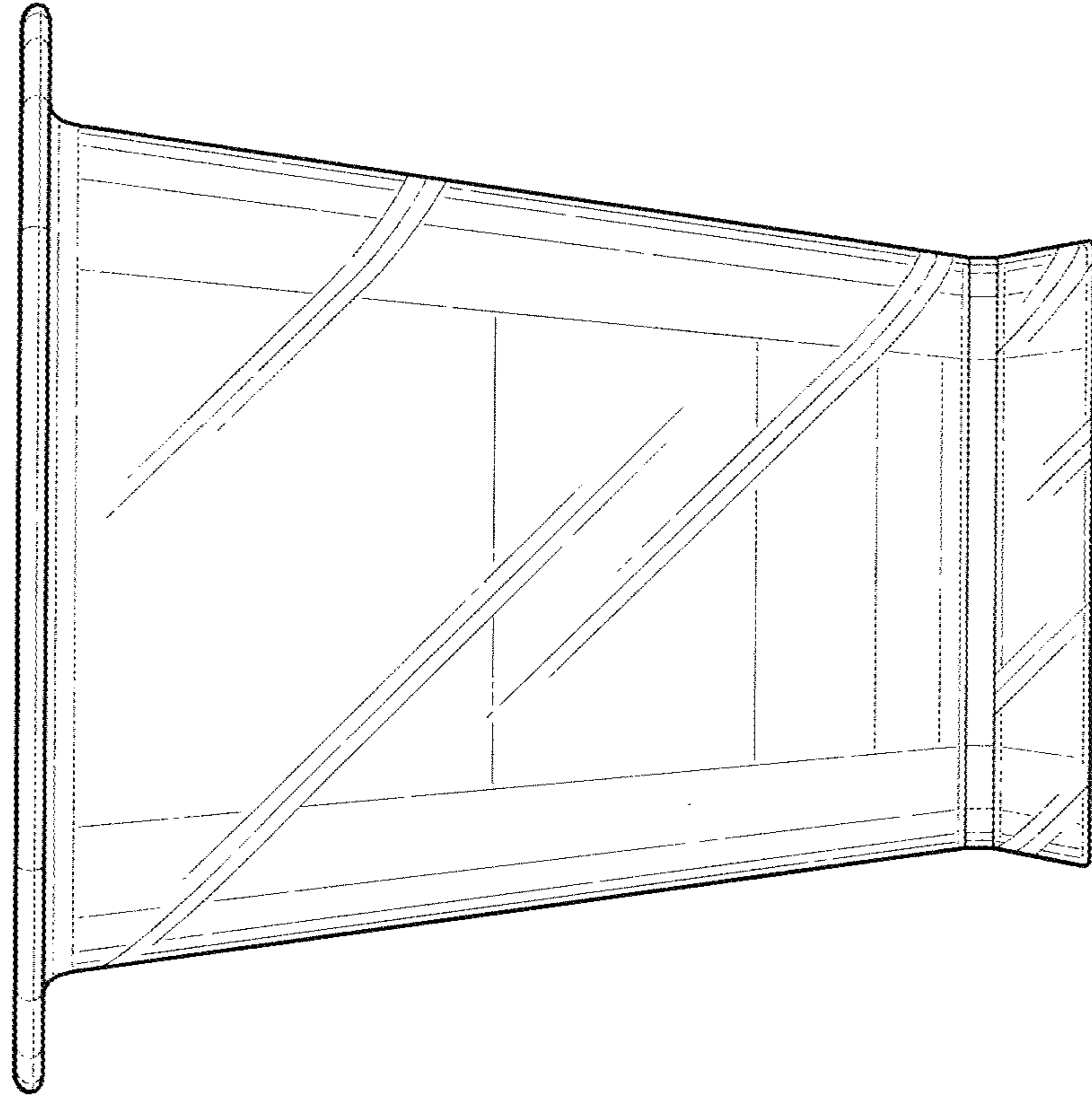


FIG. 4

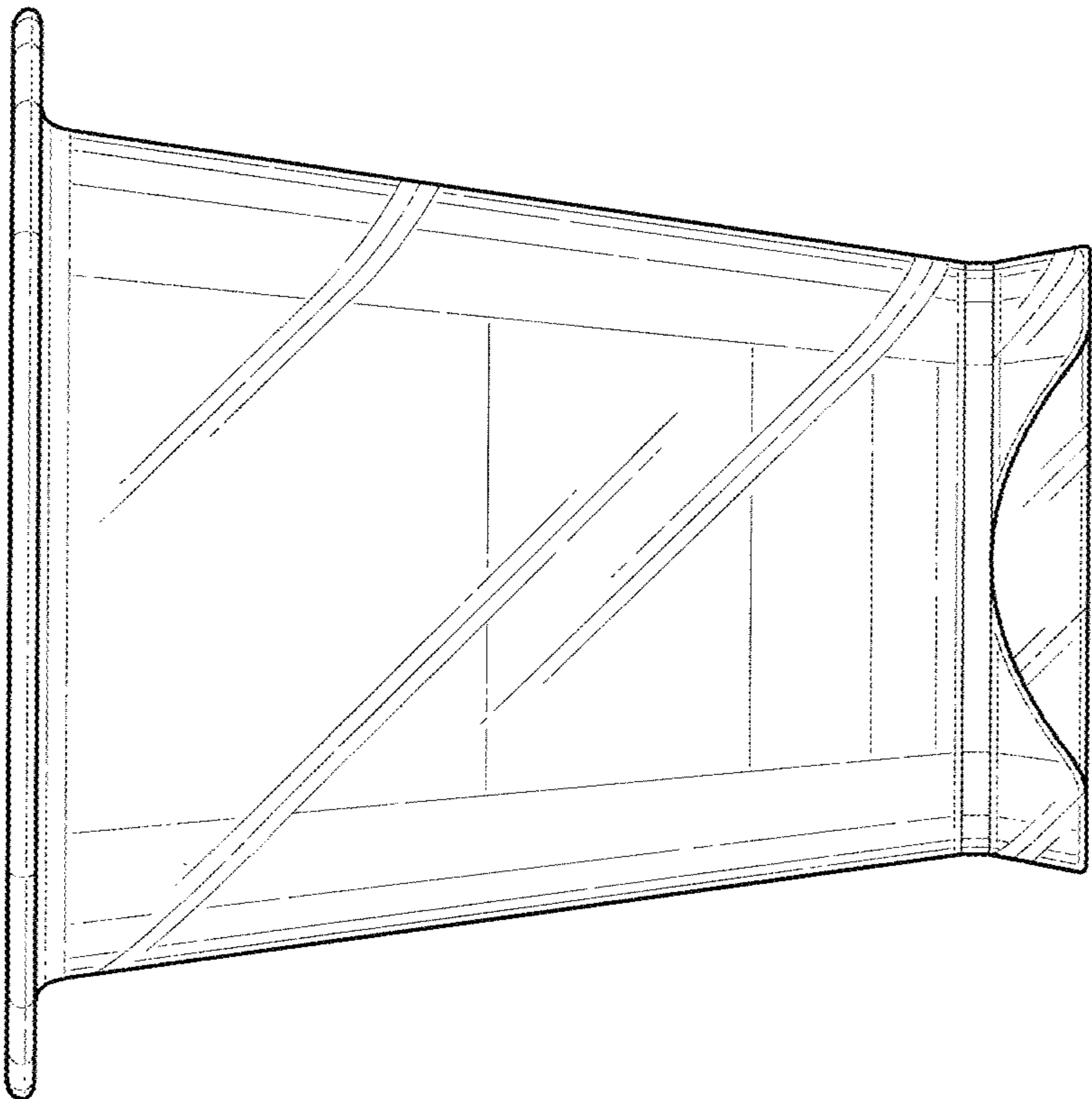


FIG. 3

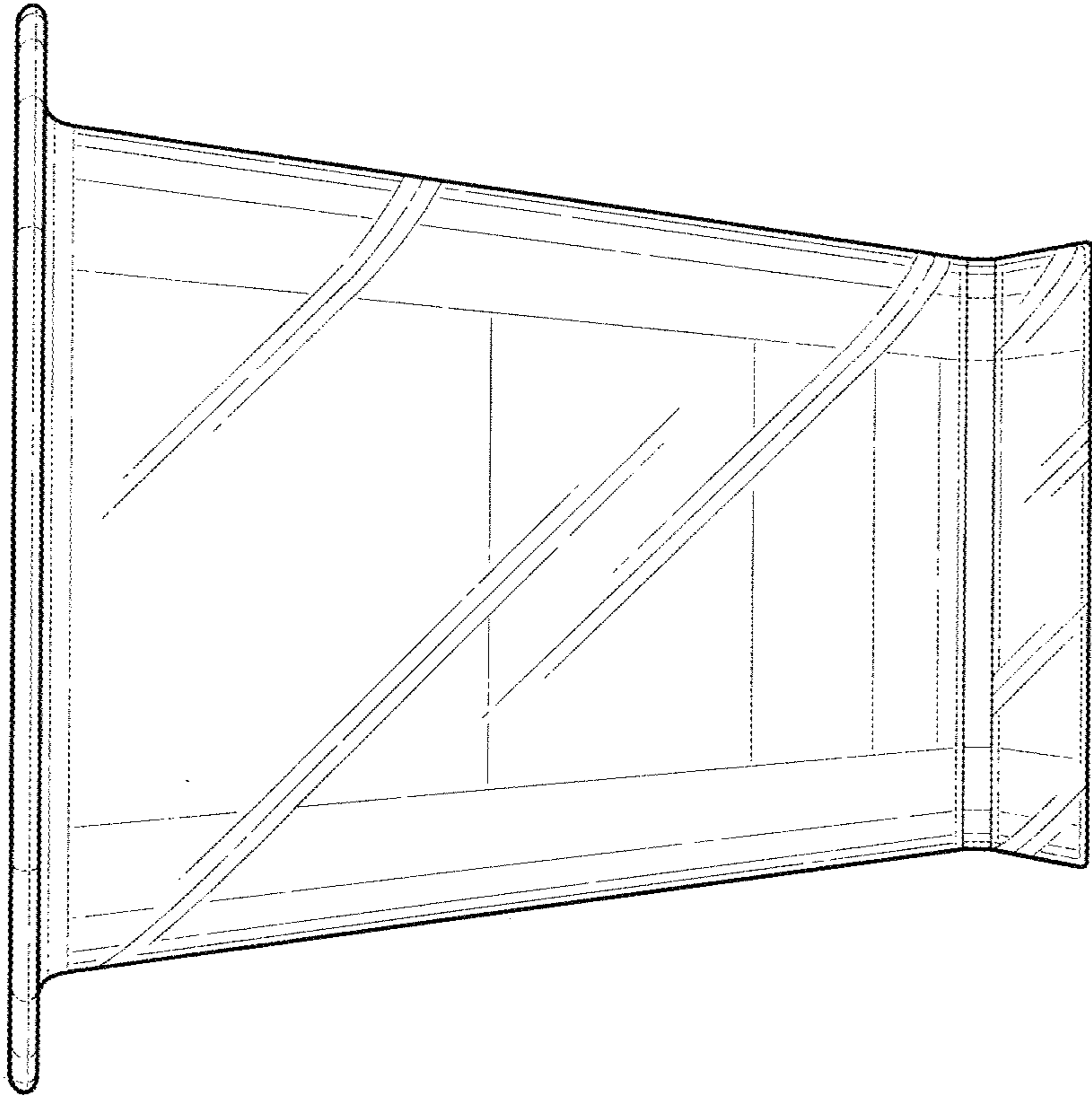


FIG. 5

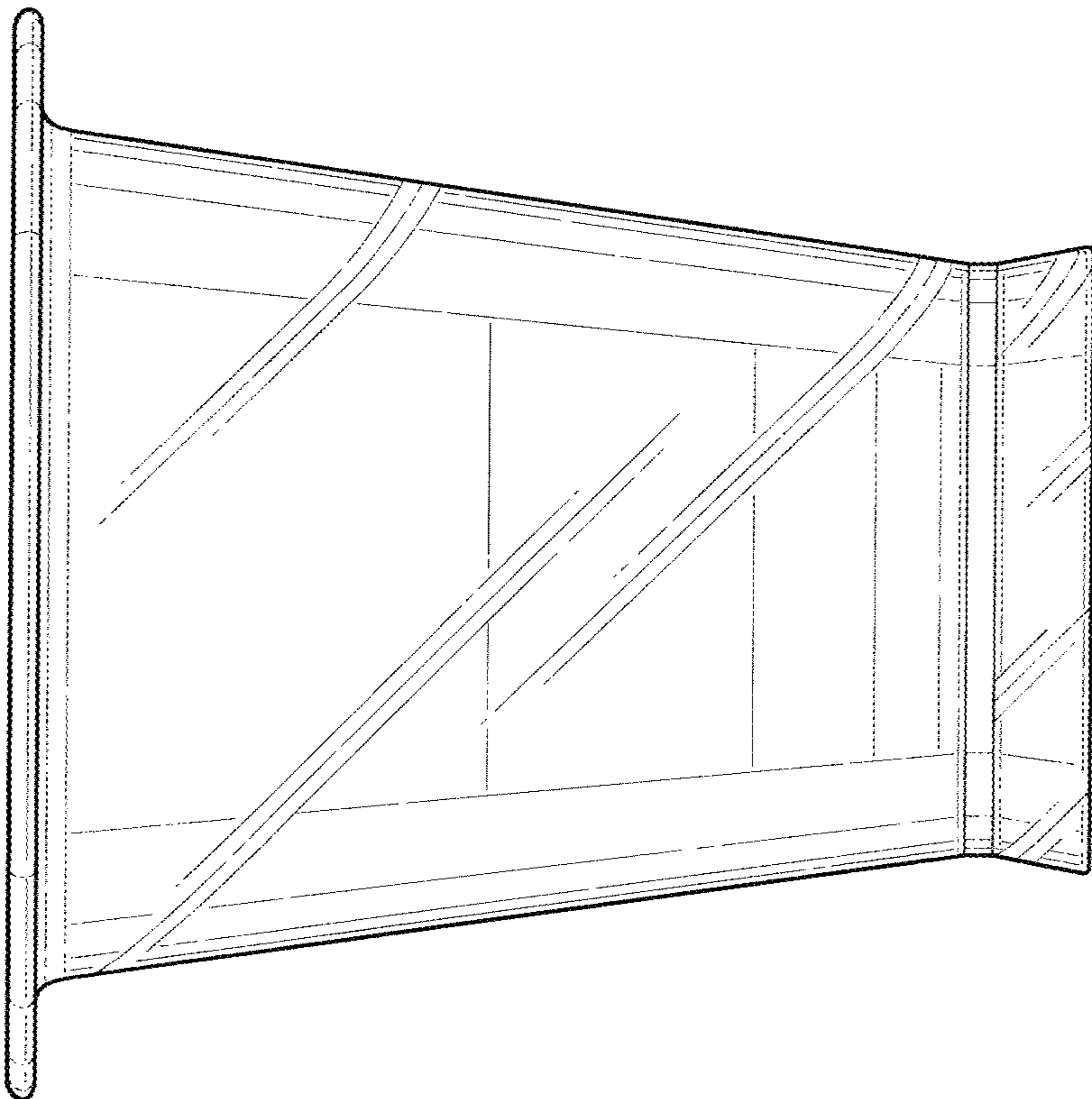


FIG. 6

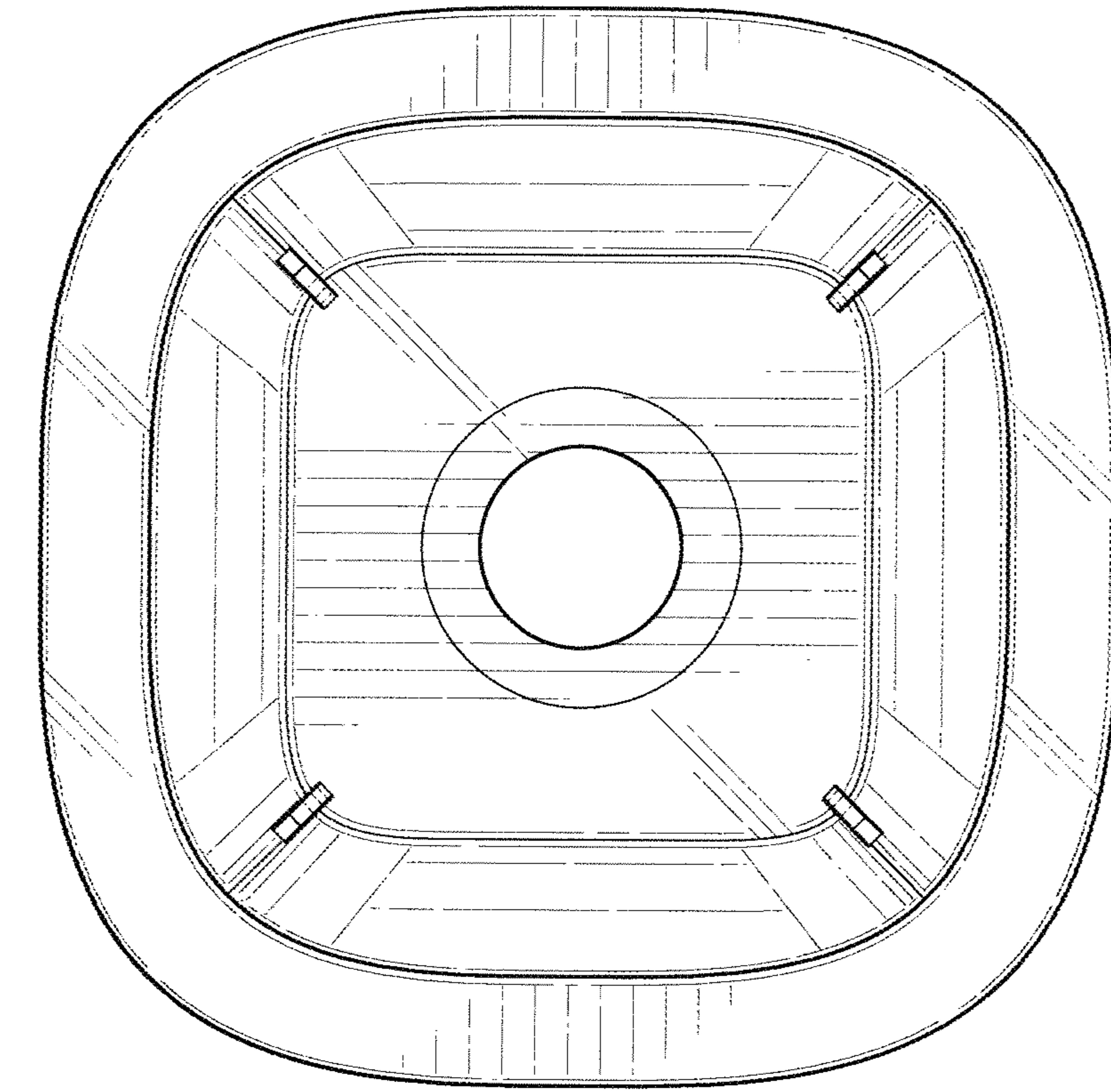


FIG. 8

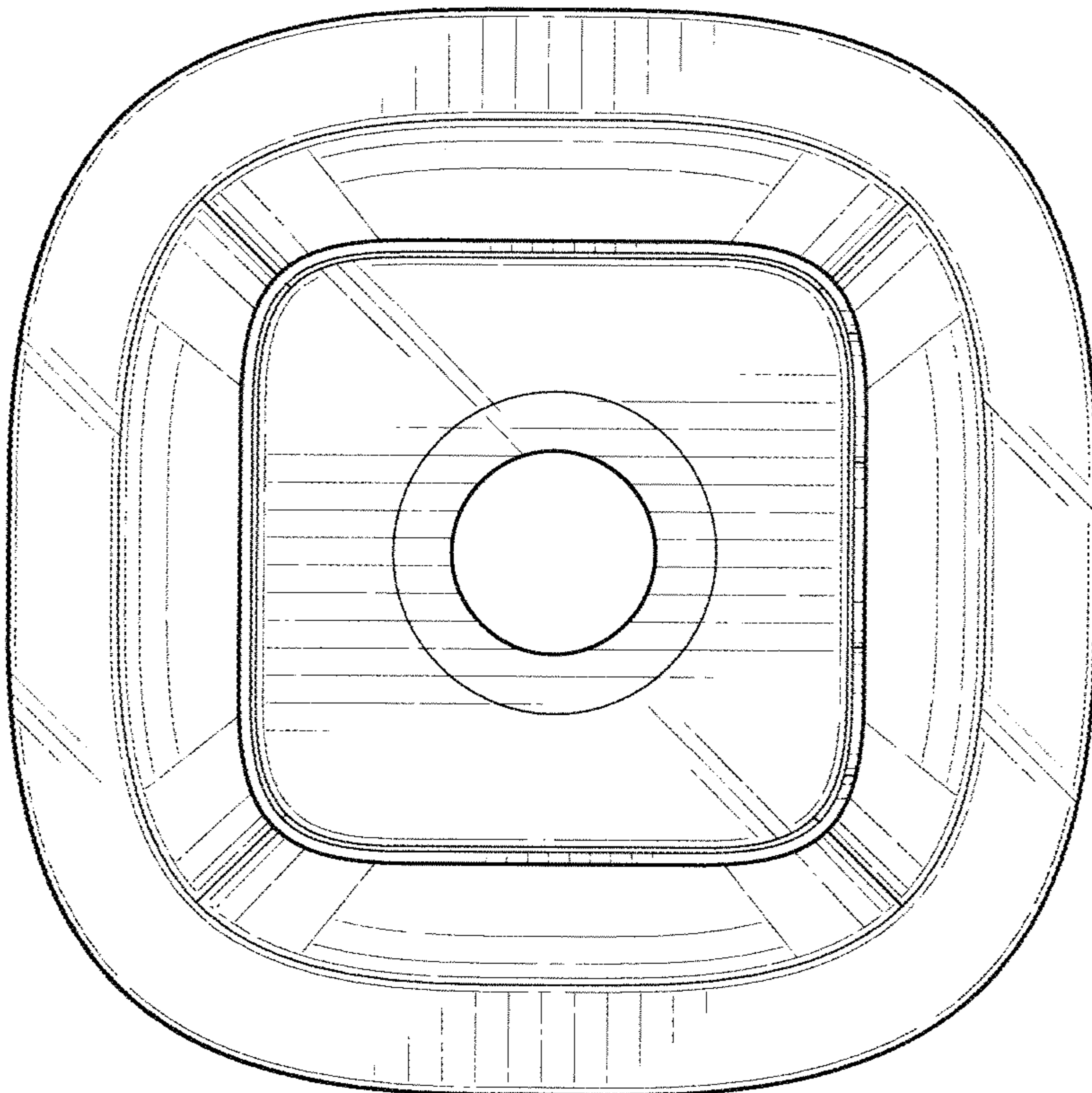


FIG. 7