



US00D906798S

(12) **United States Design Patent** (10) **Patent No.:** **US D906,798 S**
Moriya et al. (45) **Date of Patent:** **** Jan. 5, 2021**

(54) **SHAFT ATTACHING AND DETACHING DEVICE**

(71) Applicant: **Tok, Inc.**, Tokyo (JP)

(72) Inventors: **Takuma Moriya**, Tokyo (JP); **Kosho Ueshima**, Tokyo (JP)

(73) Assignee: **Tok, Inc.**, Tokyo (JP)

(**) Term: **15 Years**

(21) Appl. No.: **35/507,652**

(22) Filed: **Apr. 9, 2019**

(80) **Hague Agreement Data**

Int. Filing Date: **Apr. 9, 2019**
Int. Reg. No.: **DM/203691**
Int. Reg. Date: **Apr. 9, 2019**
Int. Reg. Pub. Date: **Nov. 8, 2019**

(51) **LOC (13) Cl.** **08-08**

(52) **U.S. Cl.**
USPC **D8/396**

(58) **Field of Classification Search**
USPC D8/14, 330, 331, 339, 343, 344, 363,
D8/382, 383, 385, 386, 394, 396;
D11/182; D22/147
CPC A47K 13/26; E05D 7/10; E05D 7/12
See application file for complete search history.

(56) **References Cited**

U.S. PATENT DOCUMENTS

4,876,866 A * 10/1989 Fleming E05B 3/065
70/379 R
D351,013 S * 9/1994 Mathison D23/200
D435,427 S * 12/2000 Sokurenko D8/331
D499,789 S * 12/2004 Bridgewater B60D 1/605
D22/147
D595,807 S * 7/2009 Baltes D22/147

D595,808 S * 7/2009 Baltes D22/147
D649,431 S * 11/2011 Shartel E05B 3/065
D8/330
D806,517 S * 1/2018 Kessler D8/331
D813,642 S * 3/2018 Tyus D8/330
D858,346 S * 9/2019 Lyle D11/182
D862,306 S * 10/2019 Porath B60D 1/605
D12/162
10,463,211 B1 * 11/2019 Delaney F16B 47/006

OTHER PUBLICATIONS

Screenshot: SRX—Attach/Detach device [TOK, Inc.] video, 1:01/1:55. Caption “Japan Patent 6400195”. Undated; one page. Found online Aug. 10, 2020 at http://tok-inc.com/en/products/index2.html#wc_anc00005 (Year: 2019).*

* cited by examiner

Primary Examiner — Robert M. Spear
(74) *Attorney, Agent, or Firm* — Flynn Thiel, P.C.

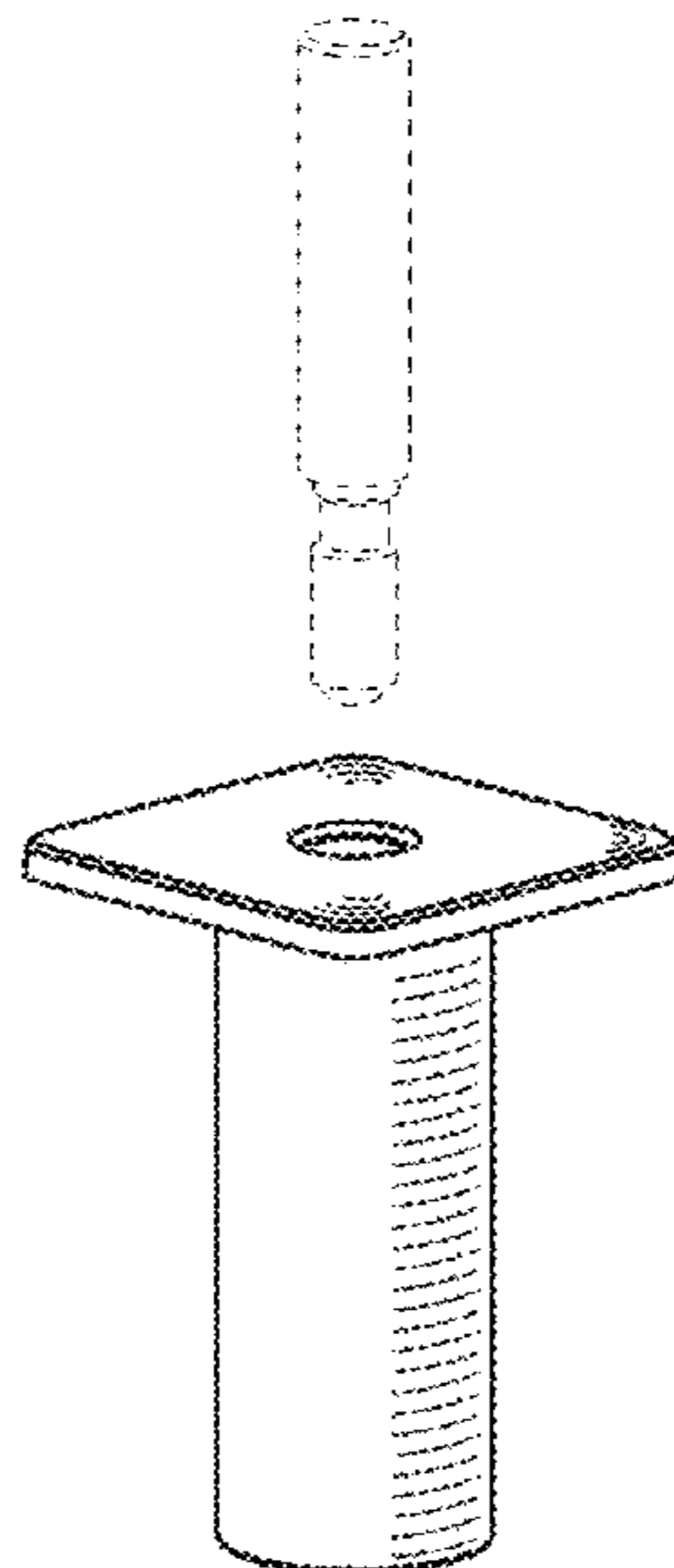
(57) **CLAIM**

The ornamental design for a shaft attaching and detaching device, as shown and described.

DESCRIPTION

FIG. 1.1 is a perspective view of a shaft attaching and detaching device showing our new design; FIG. 1.2 is a front view thereof, the left side view, the right side view and the back side view being omitted as being identical with the front view, respectively; FIG. 1.3 is a top view thereof; FIG. 1.4 is a bottom view thereof; FIG. 1.5 is a perspective view showing detaching; and FIG. 1.6 is a perspective view showing attaching. The broken lines are shown for the purpose of illustrating parts of the article that form no part of the claimed design.

1 Claim, 6 Drawing Sheets



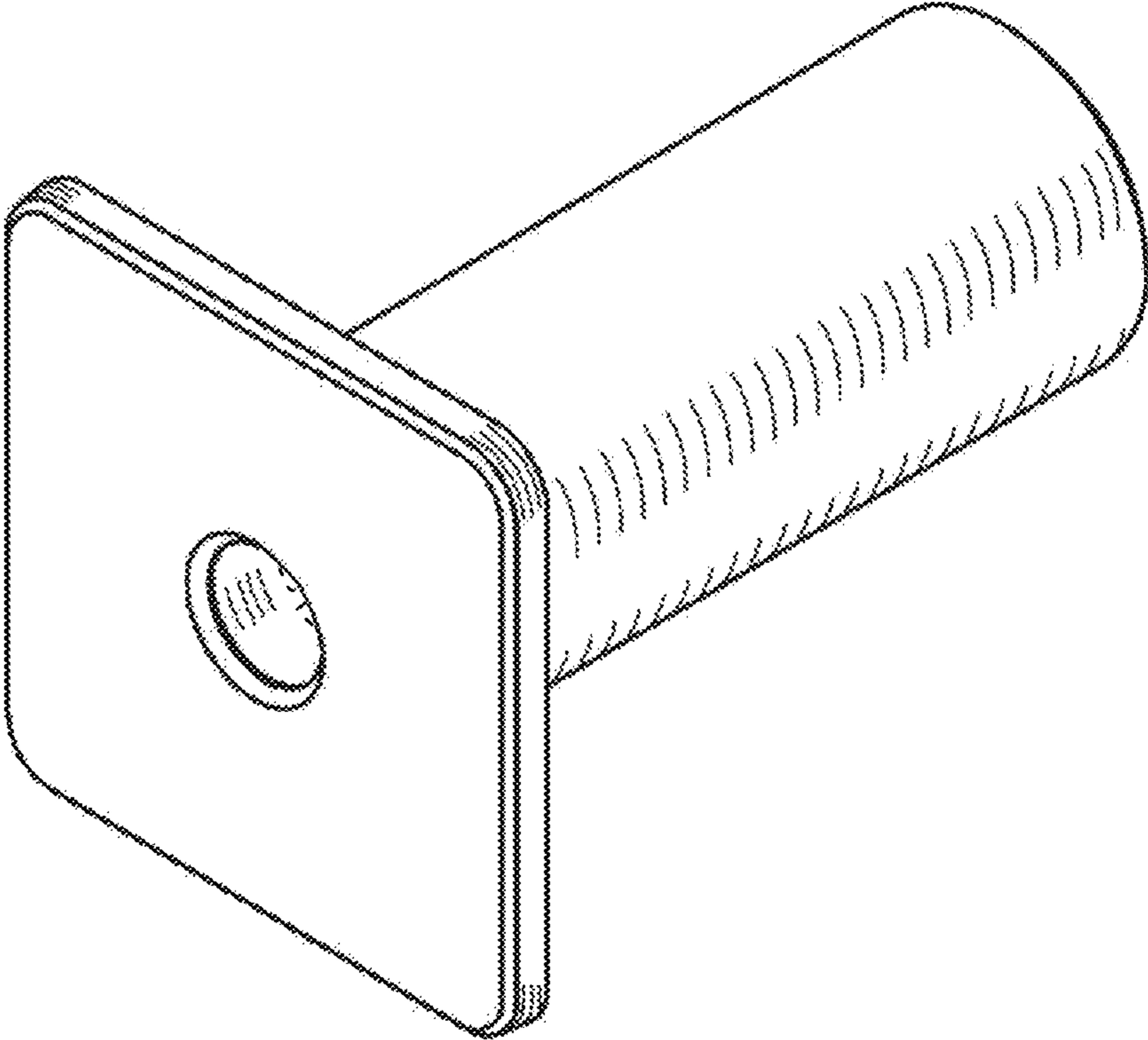


FIG. 1.1

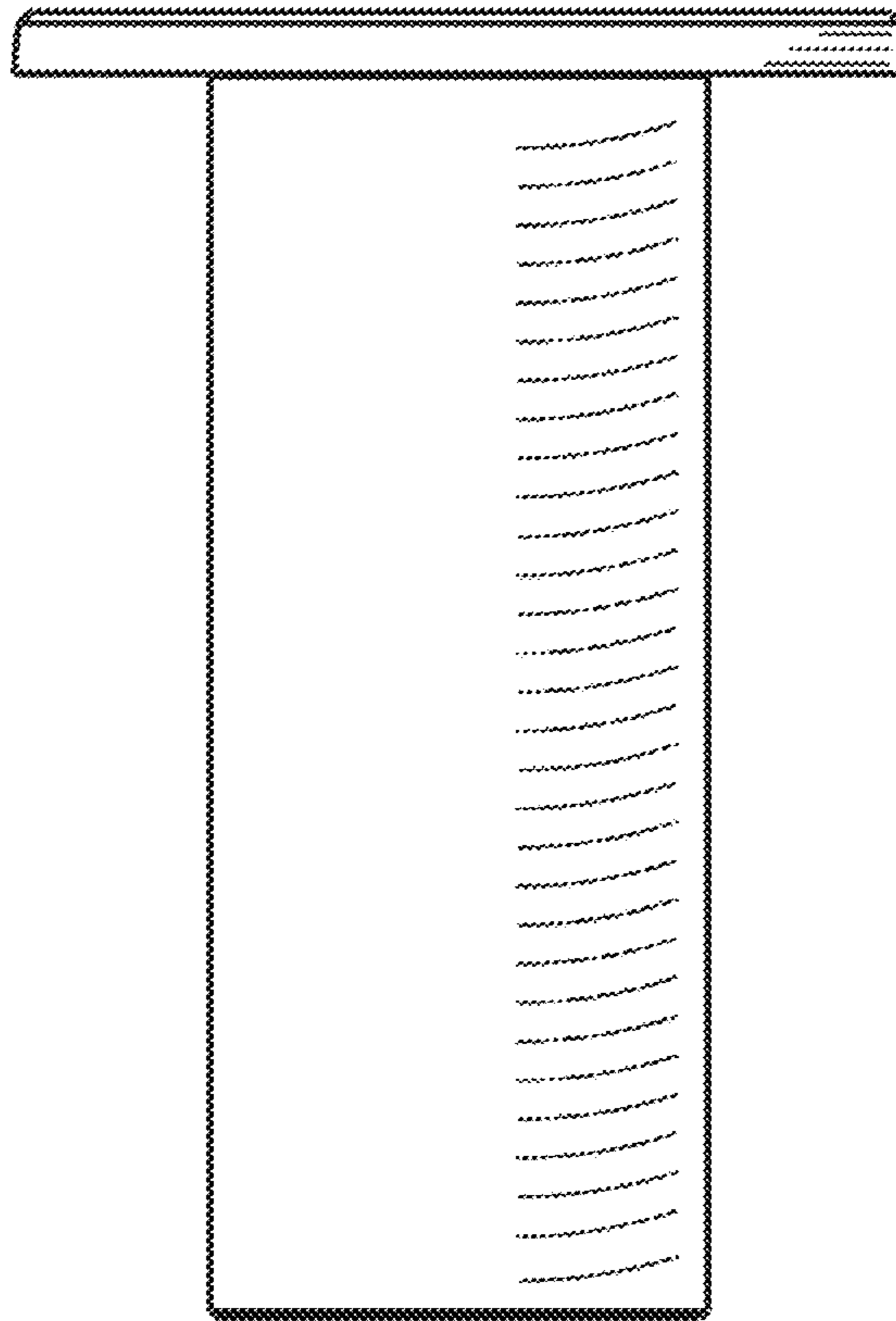


FIG. 1.2

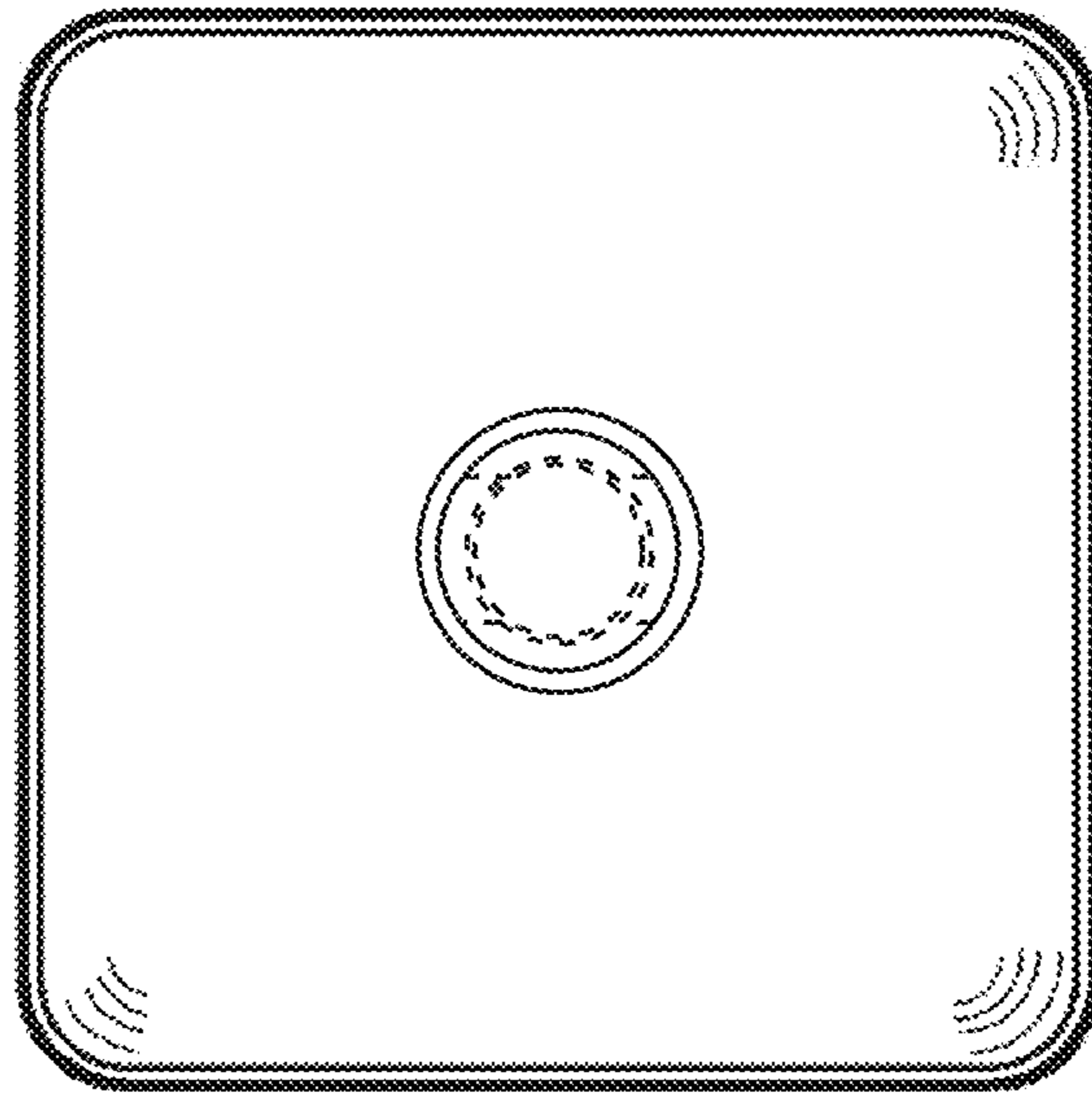


FIG. 1.3

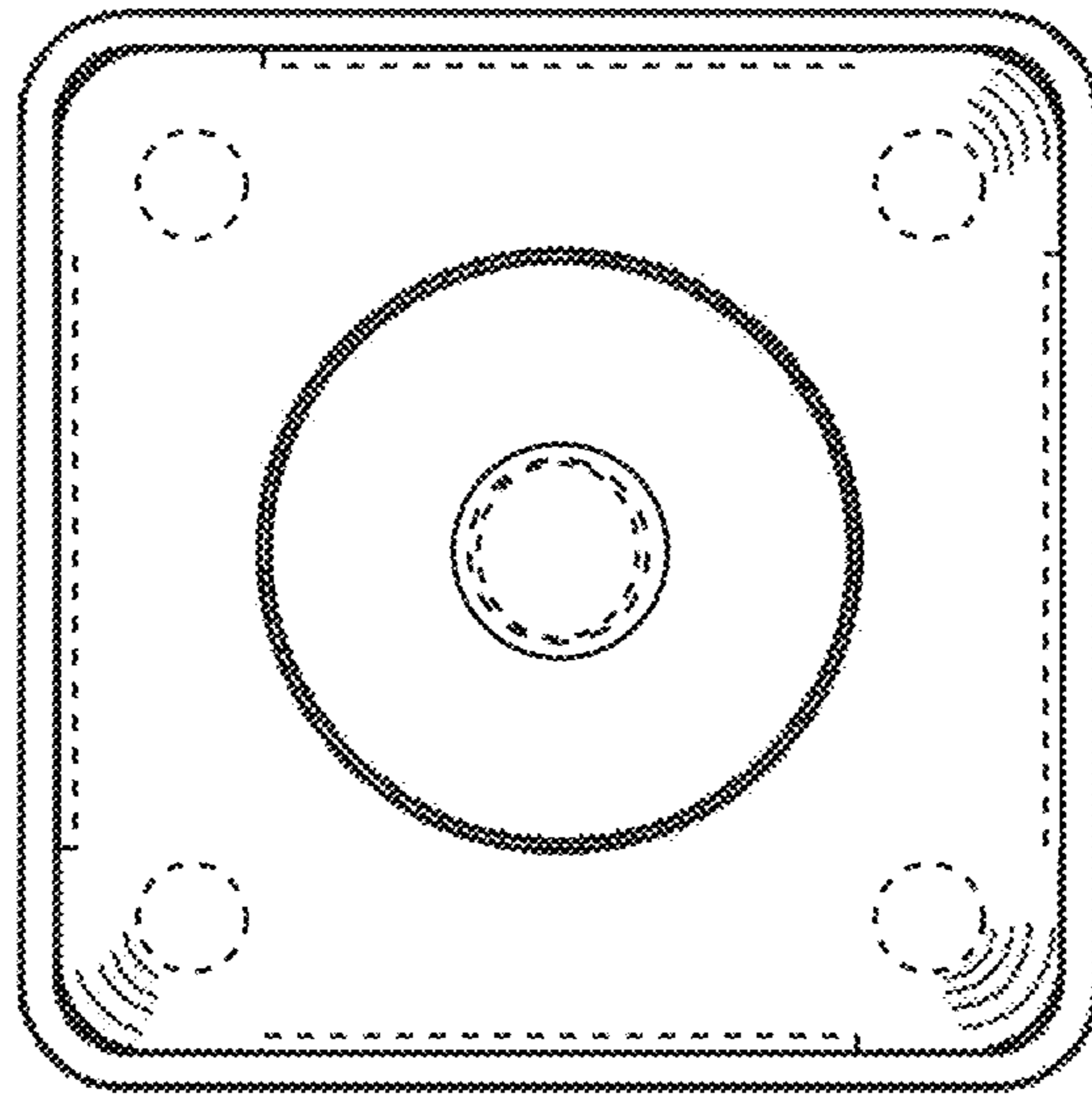


FIG. 1.4

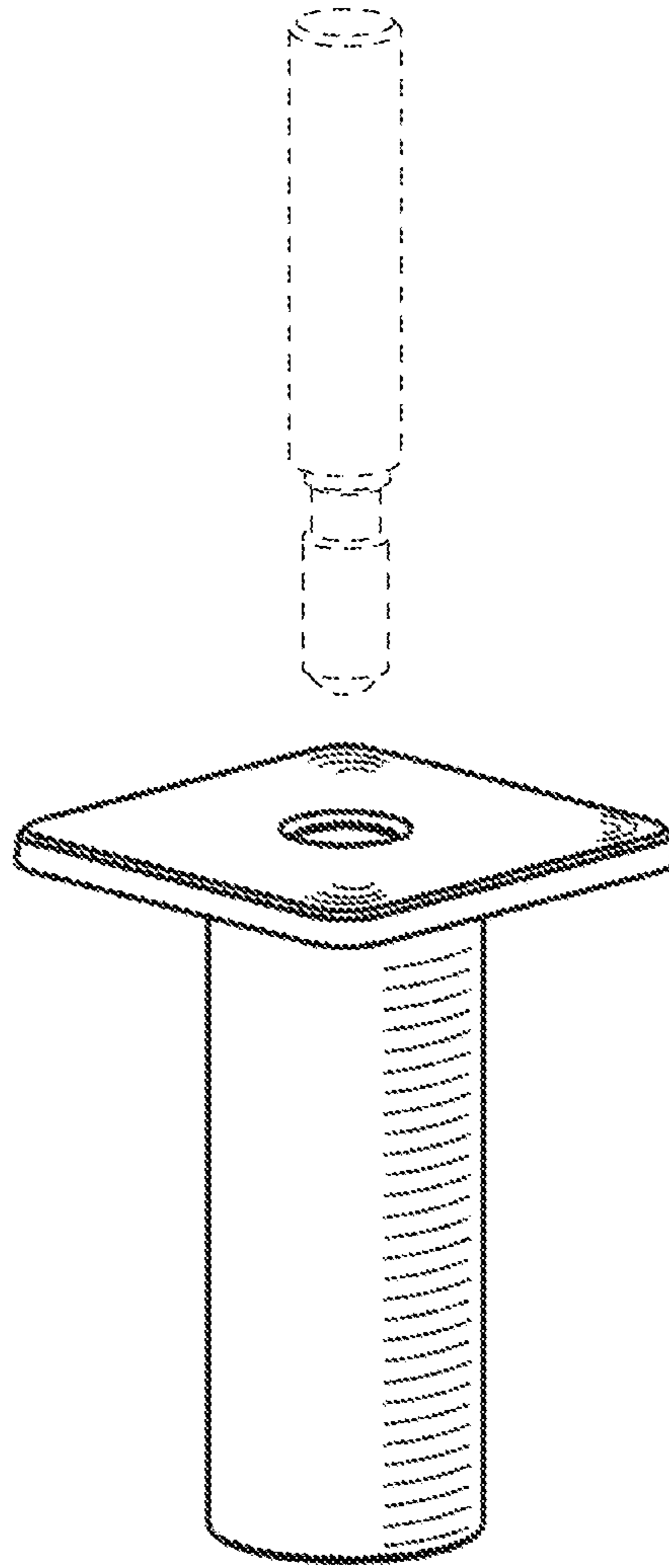


FIG. 1.5

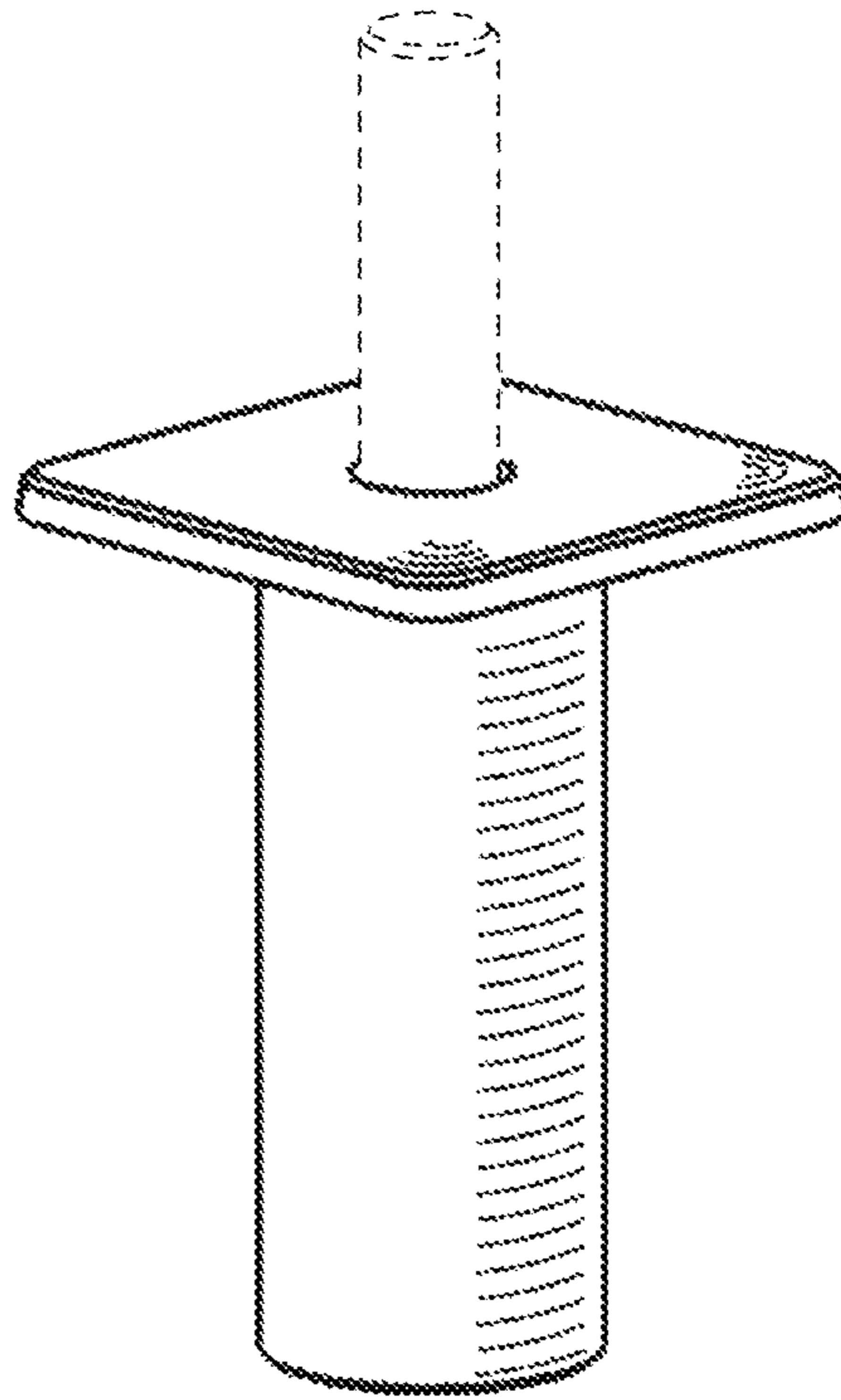


FIG. 1.6