



US00D906797S

(12) **United States Design Patent**
Carmona

(10) **Patent No.:** **US D906,797 S**
(45) **Date of Patent:** **** Jan. 5, 2021**

- (54) **AESTHETIC FASTENER**
- (71) Applicant: **Jonathan Henry Carmona**, Huntington Beach, CA (US)
- (72) Inventor: **Jonathan Henry Carmona**, Huntington Beach, CA (US)
- (**) Term: **15 Years**
- (21) Appl. No.: **29/686,592**
- (22) Filed: **Apr. 5, 2019**

Related U.S. Application Data

- (63) Continuation-in-part of application No. 16/240,427, filed on Jan. 4, 2019.

(51) **LOC (13) Cl.** **08-08**

(52) **U.S. Cl.**
USPC **D8/387**

(58) **Field of Classification Search**

USPC D8/387
 CPC F16B 23/0007; F16B 23/0015; F16B 23/0023; F16B 23/003; F16B 23/0038; F16B 23/0046; F16B 23/0053; F16B 23/0061; F16B 25/0015; F16B 25/0021; F16B 25/0026; F16B 25/0031; F16B 25/0036; F16B 25/0042; F16B 25/0052; F16B 25/0063; F16B 25/0068; F16B 25/0084; F16B 25/10; F16B 25/103; F16B 25/106; F16B 35/005; F16B 35/04; F16B 35/041; F16B 35/044; F16B 35/048; F16B 37/14; F16B 37/145; A47G 3/00

See application file for complete search history.

(56) **References Cited**

U.S. PATENT DOCUMENTS

- 997,118 A * 7/1911 Eden F16B 37/14 411/373
- 1,025,706 A * 5/1912 McCloy F16B 37/14 411/374

- 3,470,787 A * 10/1969 Mackie F16B 33/004 411/377
- 3,854,372 A * 12/1974 Gutshall F16B 1/0071 411/1
- 3,930,432 A * 1/1976 Puchy F16B 37/14 411/376
- 3,978,758 A * 9/1976 Bright B21K 1/46 411/397
- 4,136,598 A * 1/1979 Hughes F16B 37/14 411/372
- 4,601,624 A * 7/1986 Hill F16B 37/14 411/373
- 4,948,319 A * 8/1990 Day F16B 1/0071 411/377
- 5,129,770 A * 7/1992 Coleman A47G 3/00 411/373
- 5,988,966 A * 11/1999 Chen F16B 37/14 411/372

(Continued)

Primary Examiner — Sandra Snapp
Assistant Examiner — Ieisha N Price

(57) **CLAIM**

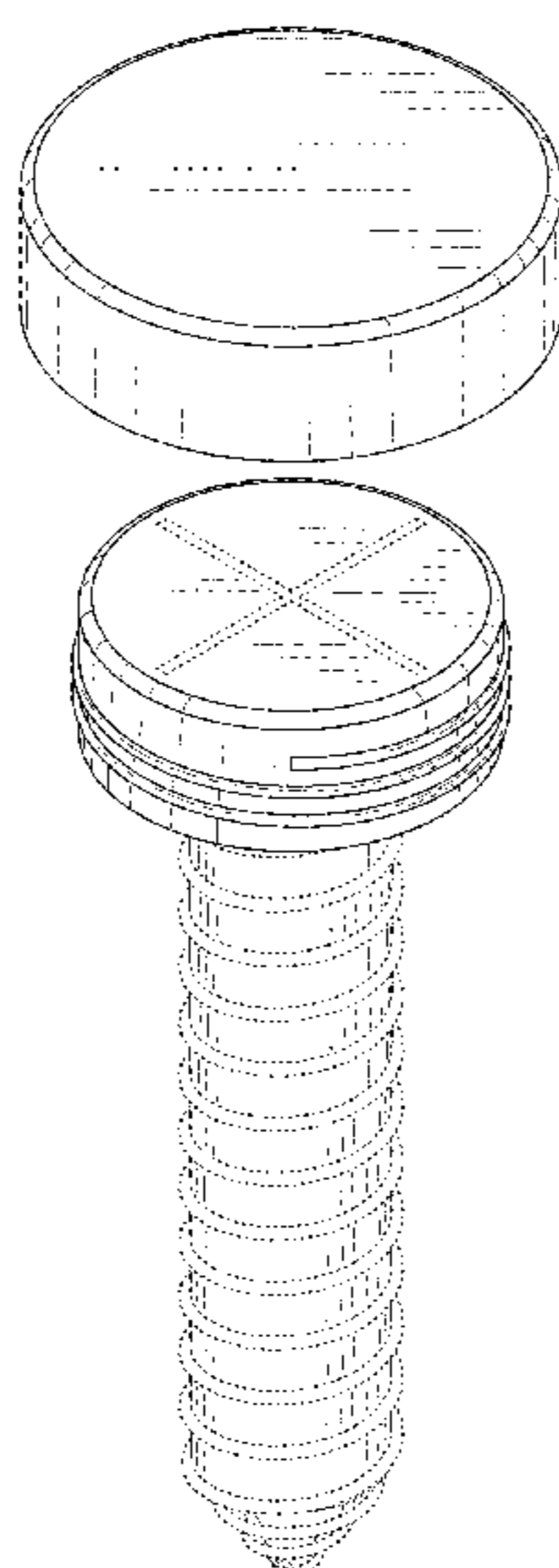
The ornamental design for a aesthetic fastener, as shown and described.

DESCRIPTION

FIG. 1 is a perspective exploded view of a aesthetic fastener showing my new design;
 FIG. 2 is a front elevational view thereof;
 FIG. 3 is a rear elevational view thereof;
 FIG. 4 is a right side elevational view thereof;
 FIG. 5 is a left side elevational view thereof;
 FIG. 6 is an enlarged top plan view thereof;
 FIG. 7 is an enlarged bottom plan view thereof; and,
 FIG. 8 is a detailed cross-sectional view taken from line 8-8 in FIG. 7.

The broken lines in the drawings illustrate portions of the aesthetic fastener and form no part of the claimed design.

1 Claim, 8 Drawing Sheets



(56)

References Cited

U.S. PATENT DOCUMENTS

D437,209	S *	2/2001	McDonough	D8/387
6,443,680	B1 *	9/2002	Bodin	F16B 23/0038
					411/375
D584,137	S *	1/2009	Edge, Jr.	D8/387
D585,730	S *	2/2009	Fernandez	D8/387
D590,703	S *	4/2009	Suehiro	D8/387
D592,043	S *	5/2009	Suehiro	D8/387
7,581,913	B2 *	9/2009	Ordonio, Jr.	F16B 37/14
					411/369
9,249,819	B2 *	2/2016	Orlando	F16B 19/008
2004/0247413	A1 *	12/2004	Ha	B25B 13/5008
					411/402
2008/0226415	A1 *	9/2008	Thrift	F16B 39/103
					411/121
2009/0191024	A1 *	7/2009	Neudorf	A01D 34/733
					411/508
2010/0300035	A1 *	12/2010	Pither	F16B 37/14
					52/745.21
2010/0322741	A1 *	12/2010	Lanneree	F16B 41/005
					411/500
2013/0336743	A1 *	12/2013	Hill	F16B 37/14
					411/372.6
2019/0208931	A1 *	7/2019	Carmona	F16B 37/125
2019/0291662	A1 *	9/2019	Camisasca	F16B 37/14
2020/0011368	A1 *	1/2020	Mahaffey	F16B 37/14
2020/0158158	A1 *	5/2020	Auffinger	F16B 33/004

* cited by examiner

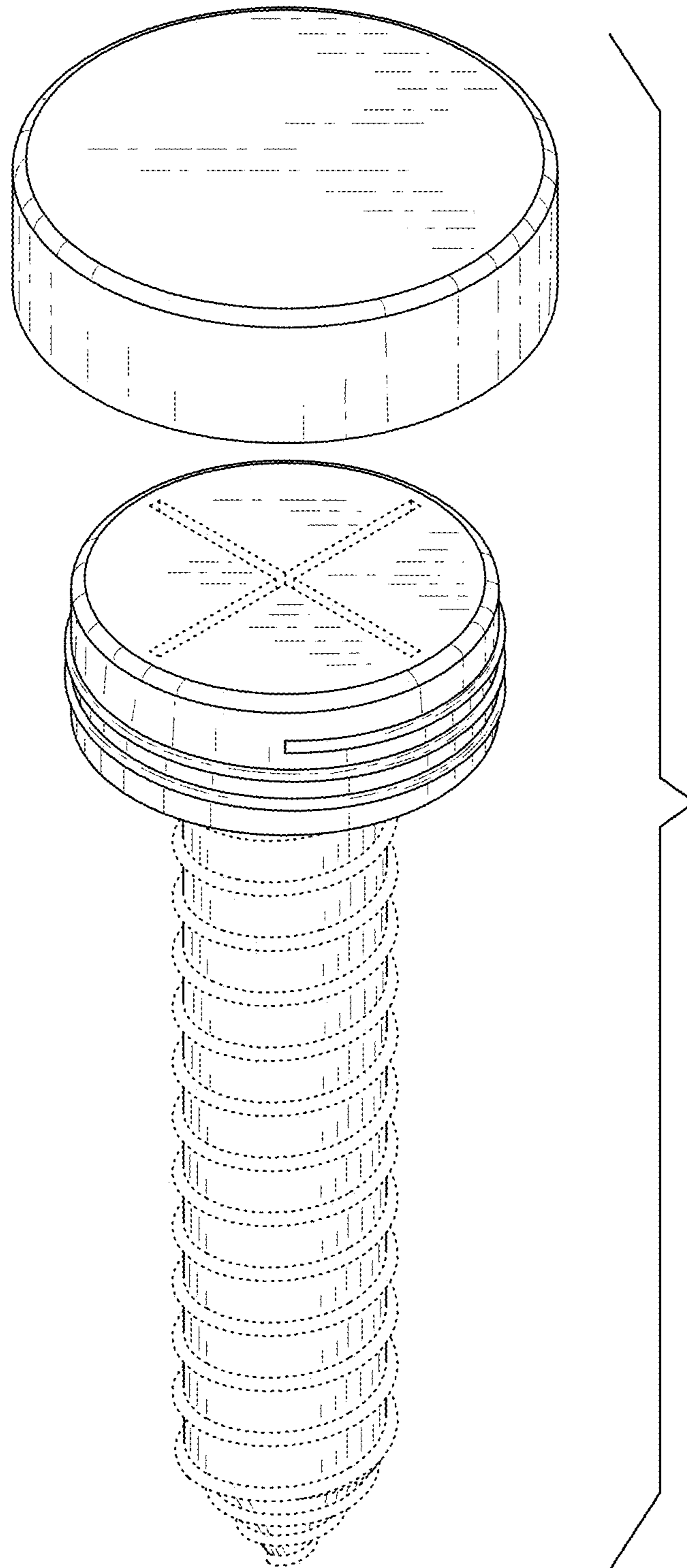


FIG. 1

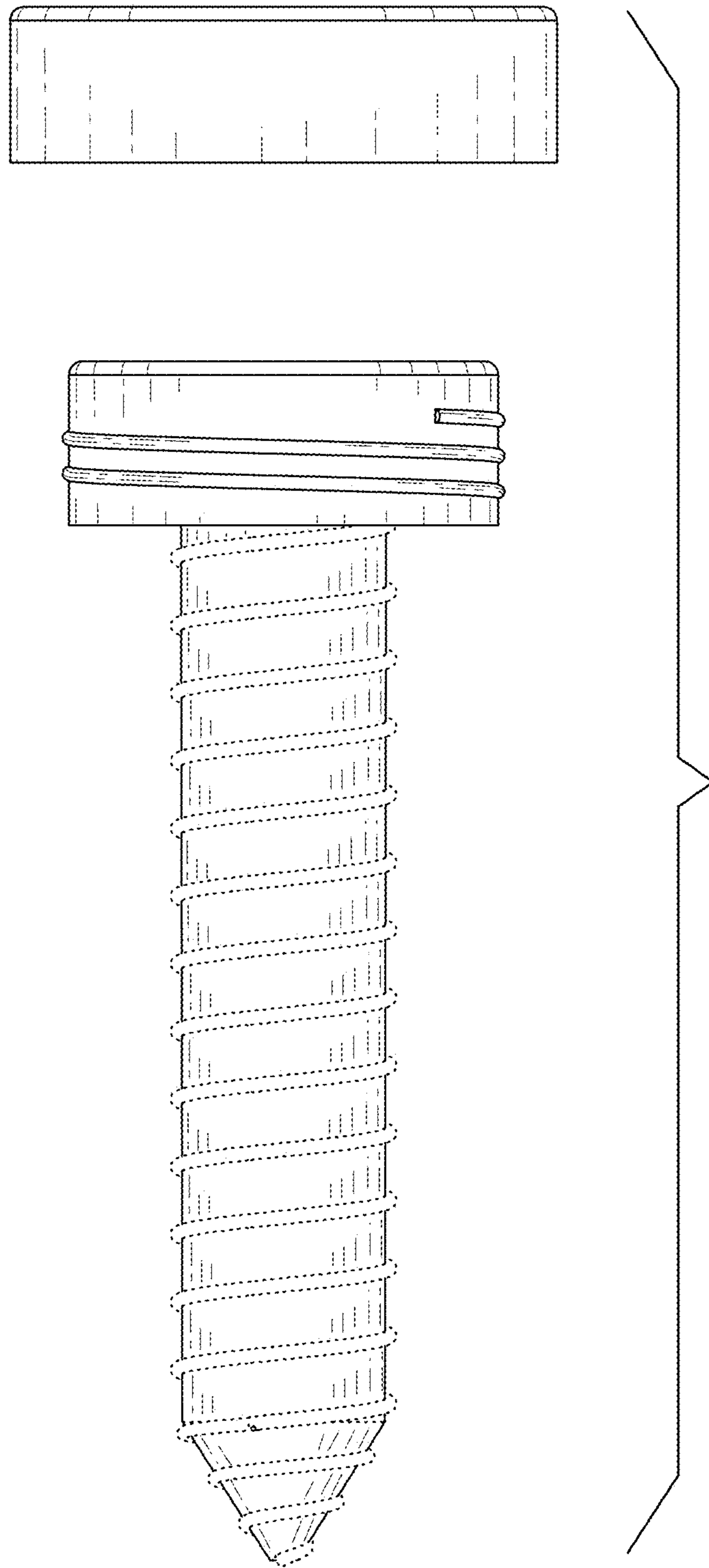


FIG. 2

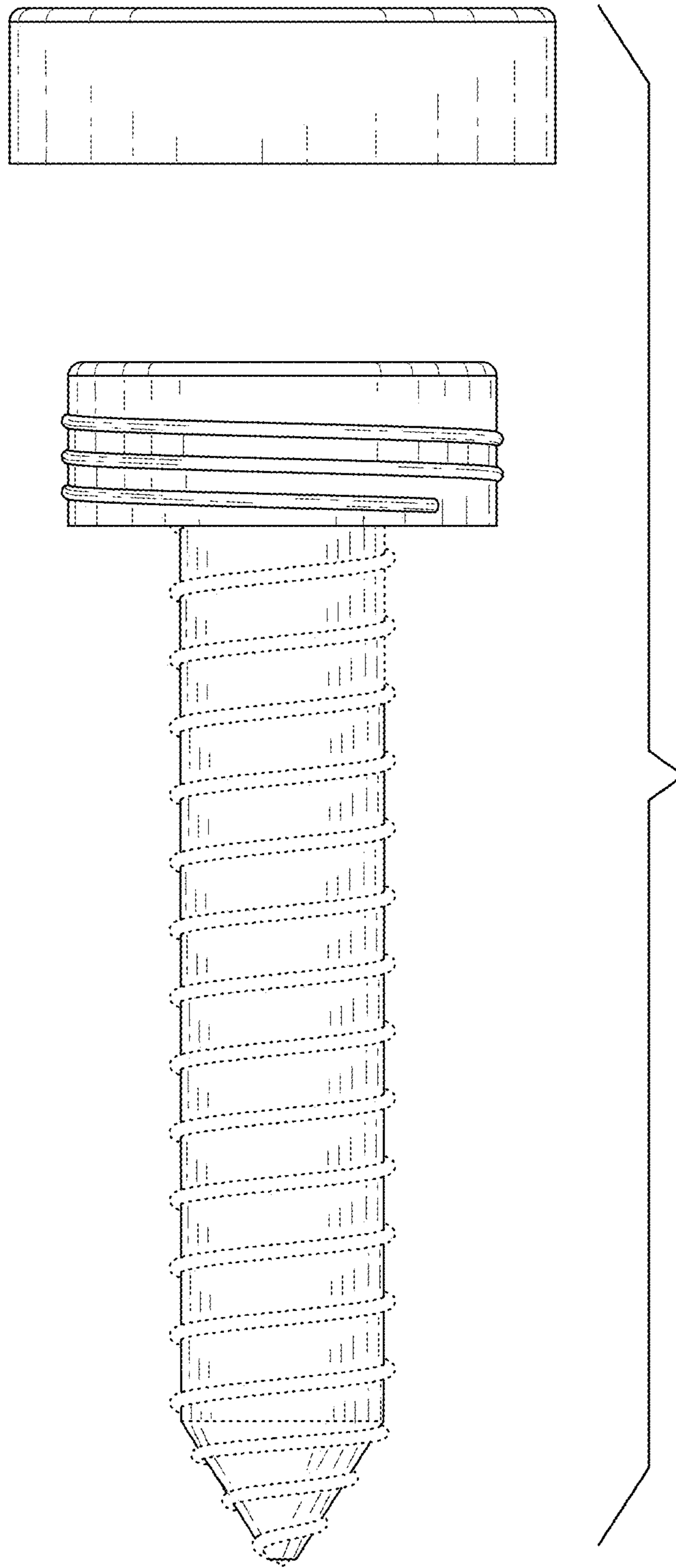


FIG. 3

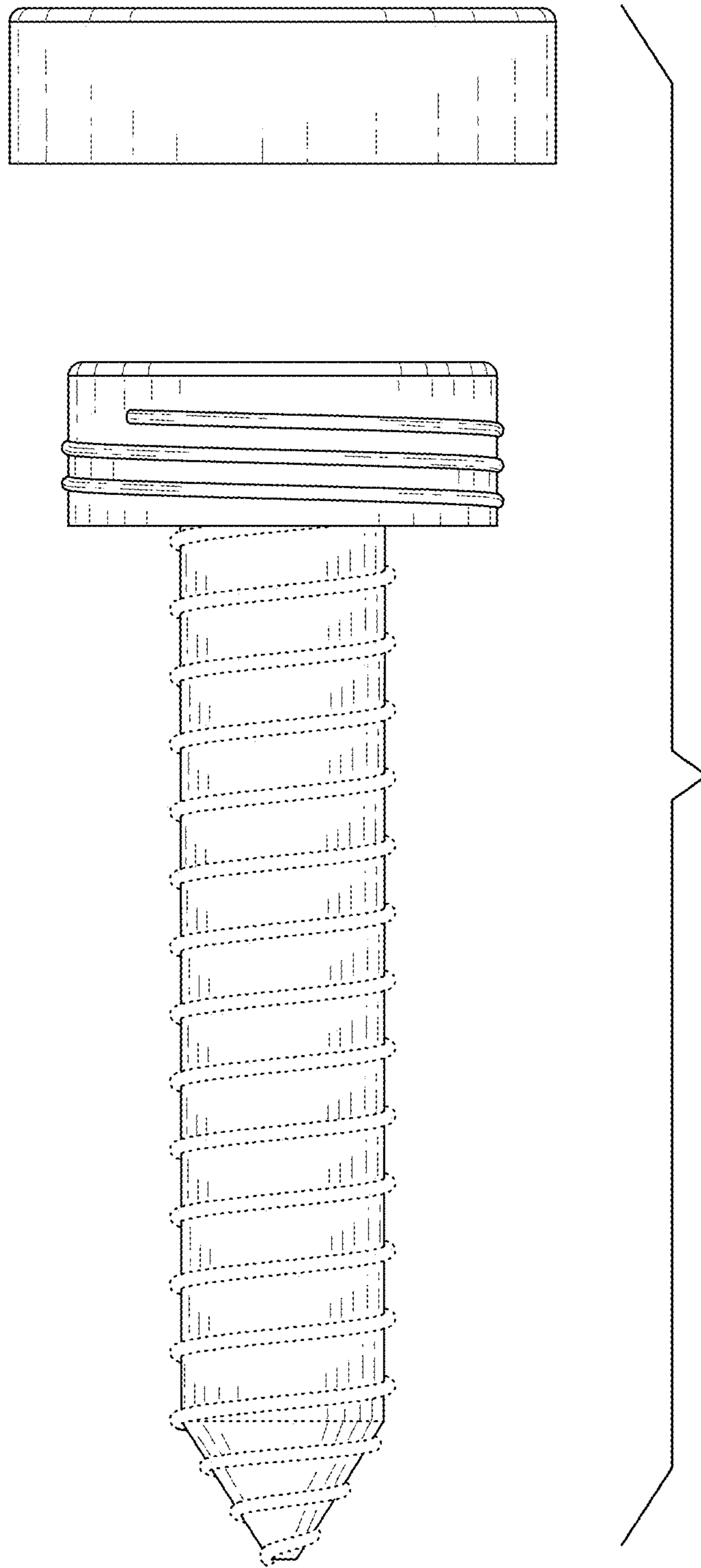


FIG. 4

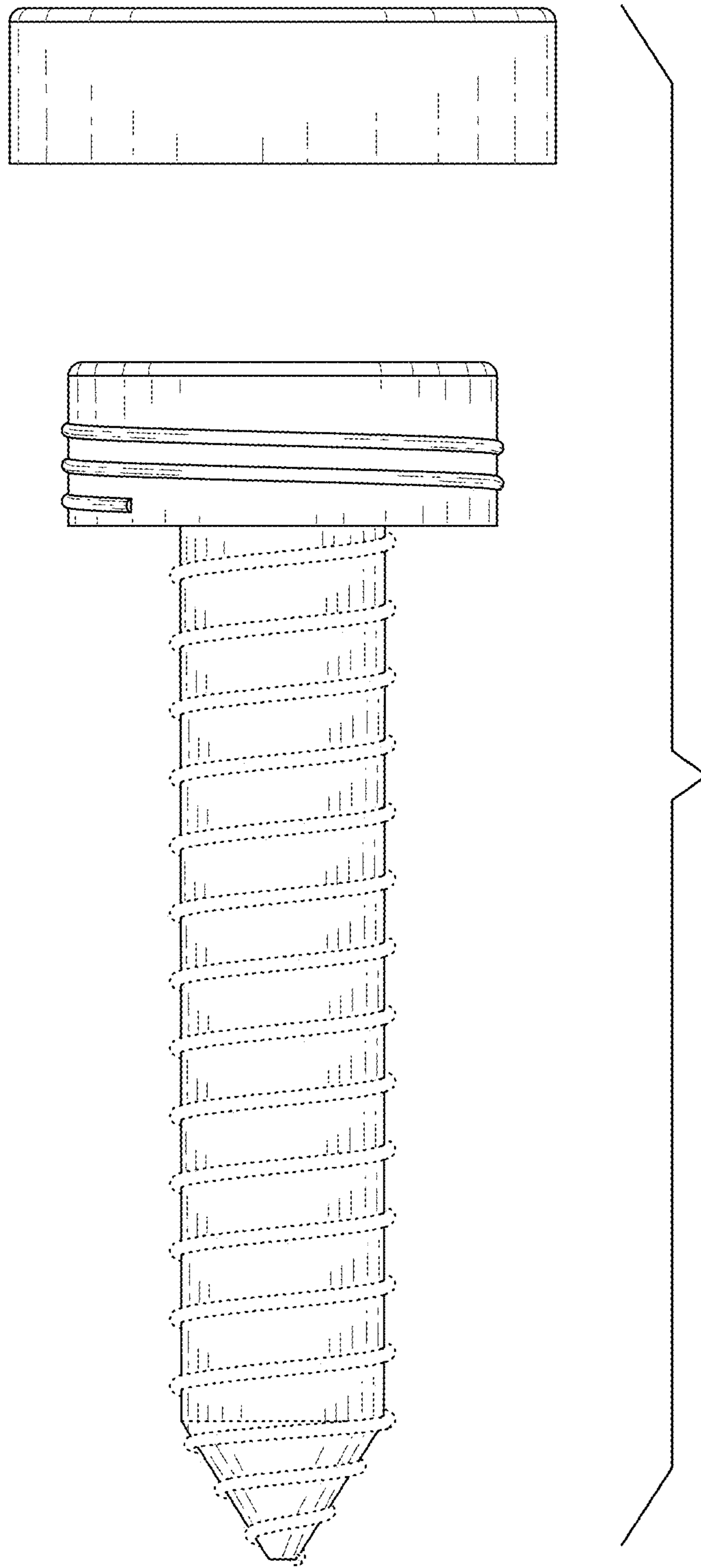


FIG. 5

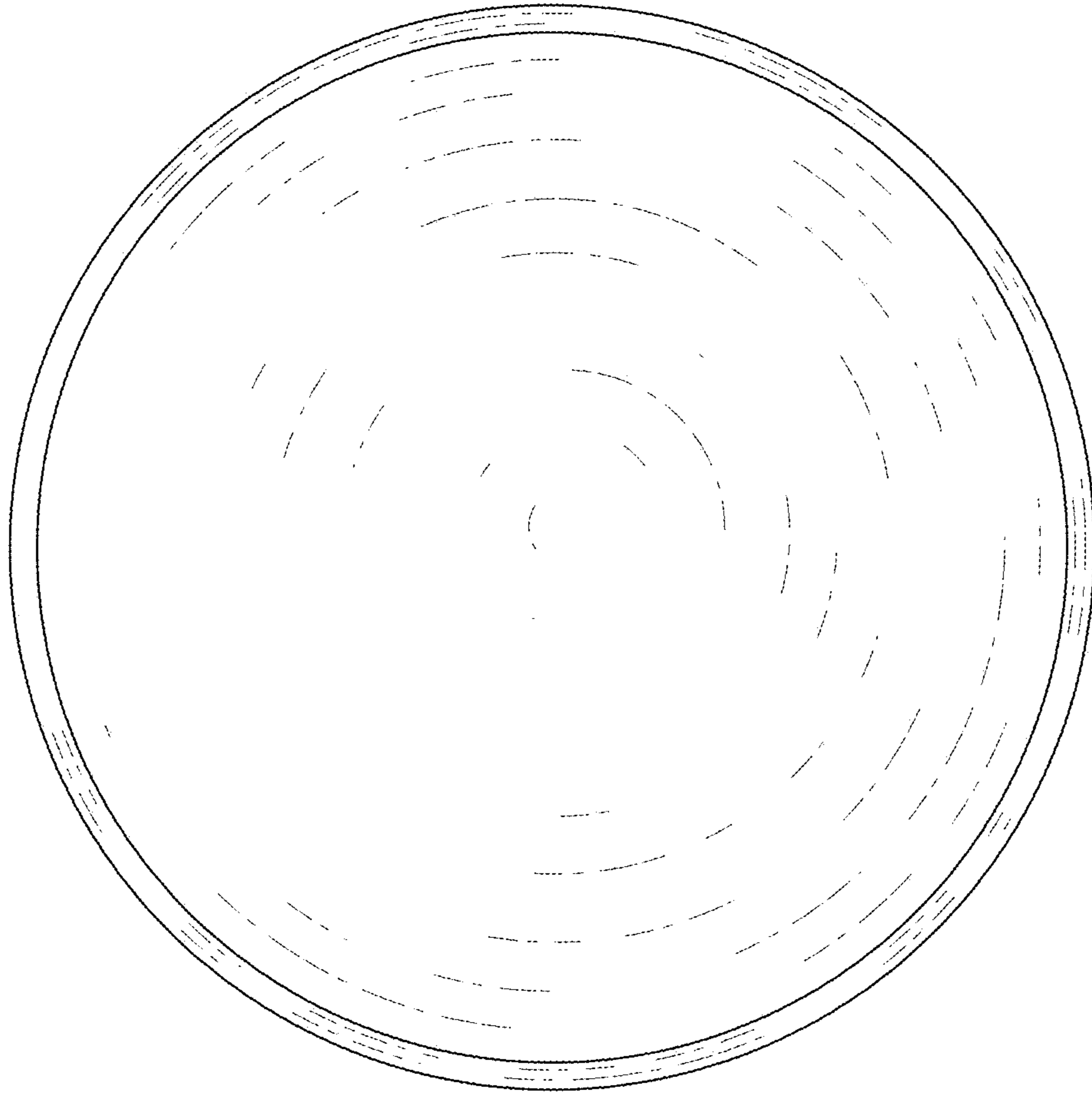


FIG. 6

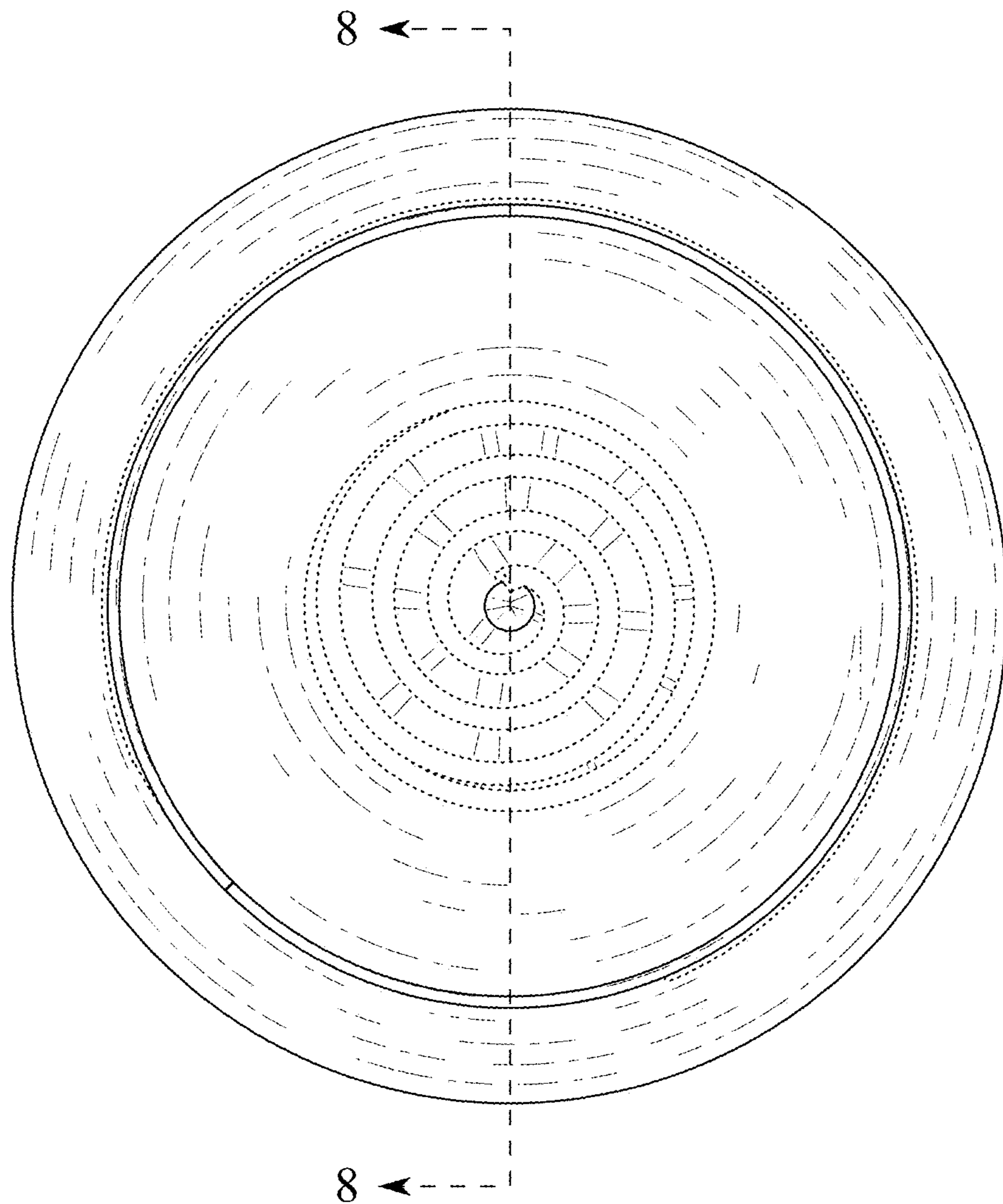


FIG. 7

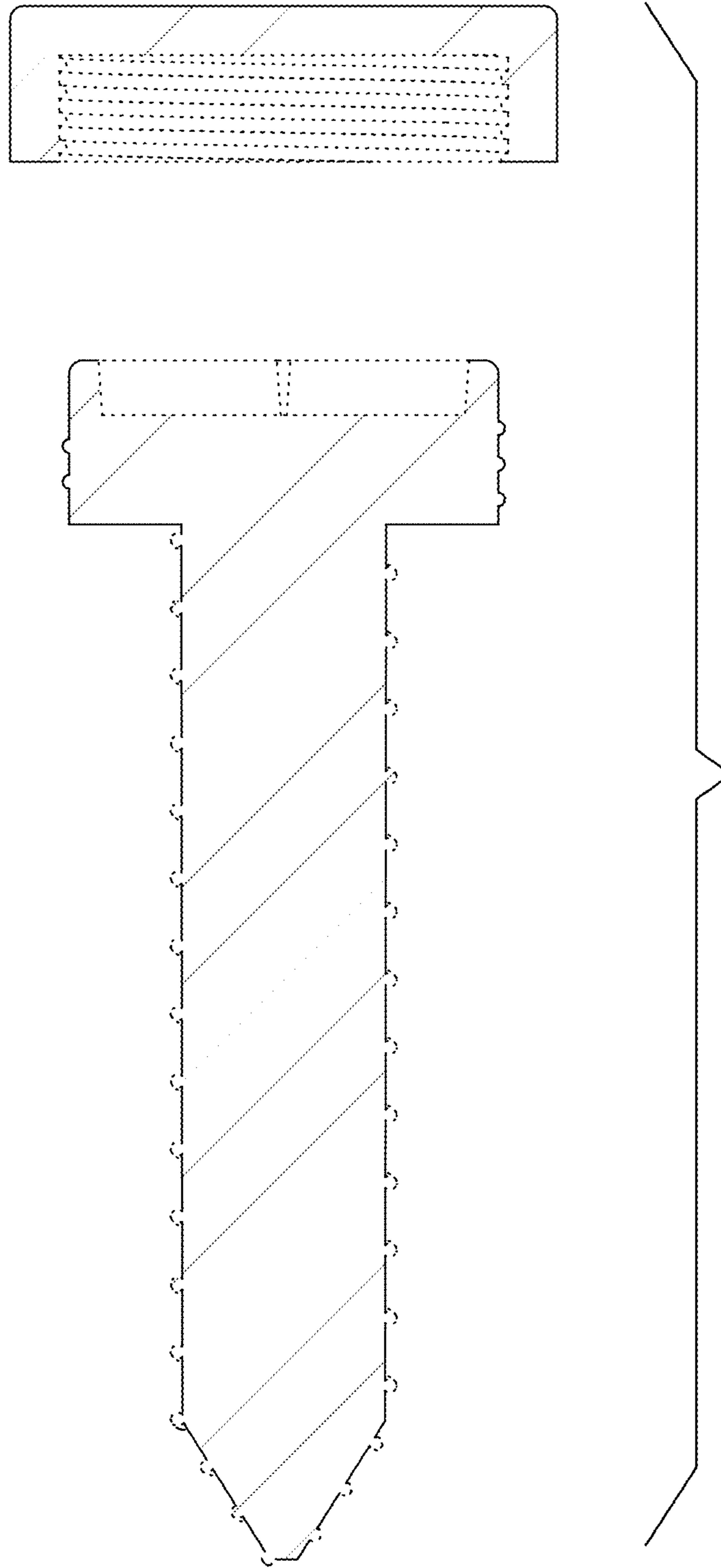


FIG. 8