



US00D906794S

(12) **United States Design Patent**  
**Chen**

(10) **Patent No.:** **US D906,794 S**

(45) **Date of Patent:** **\*\* Jan. 5, 2021**

(54) **BRACKET FOR CHAIR**

(71) Applicant: **Meidi Chen**, Jiangsu (CN)

(72) Inventor: **Meidi Chen**, Jiangsu (CN)

(73) Assignee: **Nanjing Haoyujie Electronic Technology Co., Ltd.**, Jiangsu (CN)

(\*\*) Term: **15 Years**

(21) Appl. No.: **29/659,906**

(22) Filed: **Aug. 13, 2018**

(51) **LOC (13) Cl.** ..... **08-08**

(52) **U.S. Cl.**

USPC ..... **D8/382**; D6/708.16

(58) **Field of Classification Search**

USPC ..... D8/349, 354, 355, 373, 374, 380, 382, D8/387, 388, 394, 399, 499; D6/334, D6/335, 702, 710, 708.16, 708  
CPC .... A47C 1/14; A47C 4/00; A47C 4/04; A47C 4/08; A47C 4/18; A47C 4/28; A47C 4/283; A47C 4/286; A47C 4/32; A47C 4/42; A47C 4/30; A47C 4/38; A47C 4/022; A47C 4/20; A47C 4/22; A47C 5/04; A47C 7/00; A47C 9/10; A47C 9/105

See application file for complete search history.

(56) **References Cited**

**U.S. PATENT DOCUMENTS**

D170,238 S \* 8/1953 Raylor ..... D8/396  
D170,239 S \* 8/1953 Raylor ..... D8/396  
D170,240 S \* 8/1953 Raylor ..... D8/396  
D186,331 S \* 10/1959 Hosking ..... D8/382  
D258,743 S \* 3/1981 Ruga ..... D21/484

D364,554 S \* 11/1995 Seo ..... D8/382  
D381,573 S \* 7/1997 Sabounjian ..... D8/382  
8,528,291 B2 \* 9/2013 Allred, III ..... E04C 3/08  
135/909  
D720,954 S \* 1/2015 Lah ..... D6/708.16  
D745,372 S \* 12/2015 Peterson ..... D6/716  
9,925,413 B1 \* 3/2018 Heisserman ..... A63B 22/16  
D820,072 S \* 6/2018 Choi ..... D8/382  
D831,366 S \* 10/2018 Jin ..... D6/368  
D848,828 S \* 5/2019 Zhu ..... D8/382  
D848,829 S \* 5/2019 Zhu ..... D8/382  
2016/0113402 A1 \* 4/2016 Lee ..... A47C 4/42  
297/16.2  
2017/0311723 A1 \* 11/2017 Lenhart ..... A47C 4/286  
2019/0029430 A1 \* 1/2019 Yang ..... A47C 4/44

\* cited by examiner

*Primary Examiner* — Sandra Snapp  
*Assistant Examiner* — Ieisha N Price

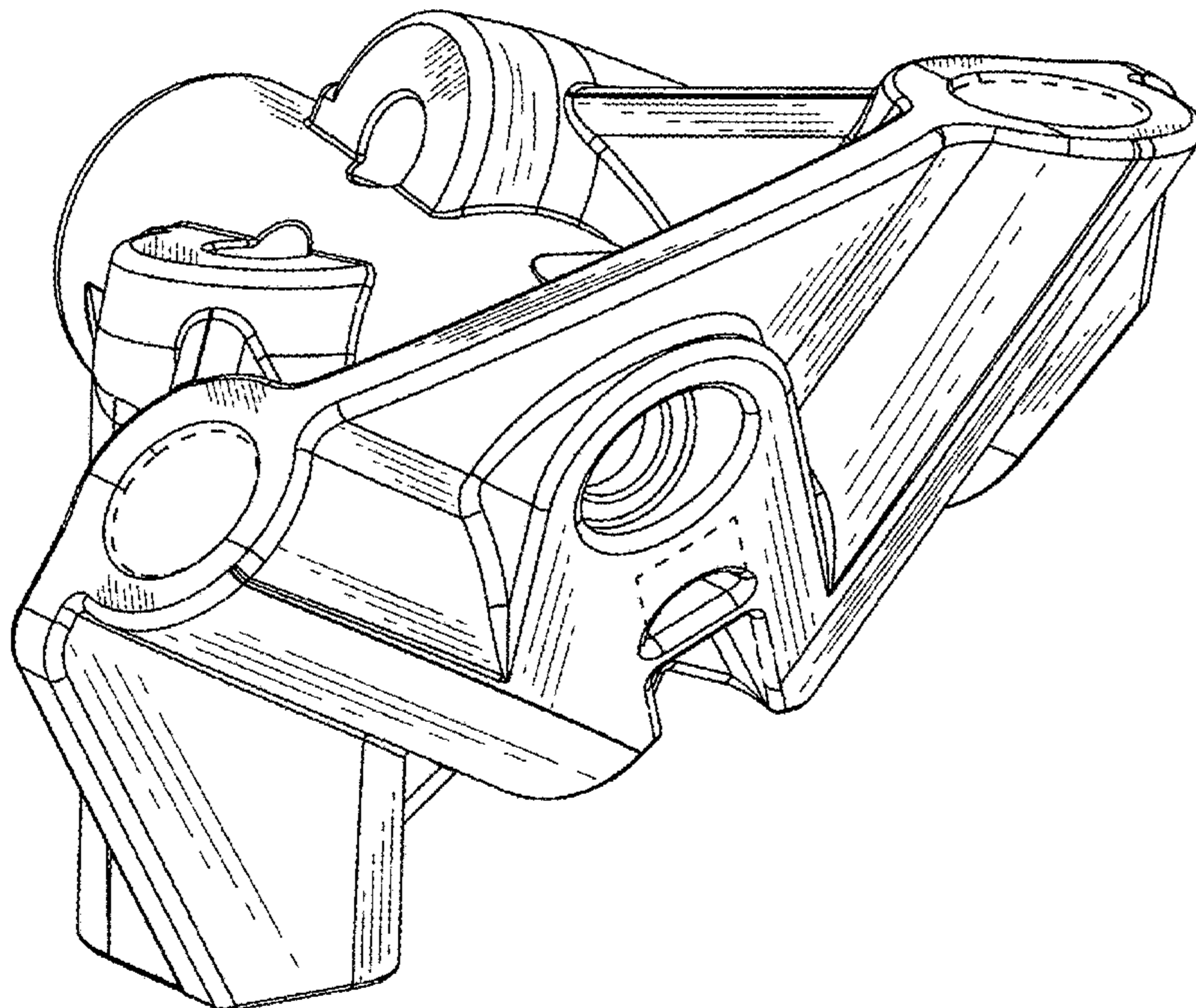
(57) **CLAIM**

I claim the ornamental design for a bracket for chair, as shown and described.

**DESCRIPTION**

FIG. 1 is a front elevational view of a bracket for chair showing my new design;  
FIG. 2 is a rear elevational view thereof;  
FIG. 3 is a left side elevational view thereof;  
FIG. 4 is a right side elevational view thereof;  
FIG. 5 is a top plan view thereof;  
FIG. 6 is a bottom plan view thereof;  
FIG. 7 is a left side, top and front perspective view thereof; and,  
FIG. 8 is a rear, top perspective view thereof.  
The broken lines in the drawings depict portions of the bracket for chair that form no part of the claimed design.

**1 Claim, 8 Drawing Sheets**



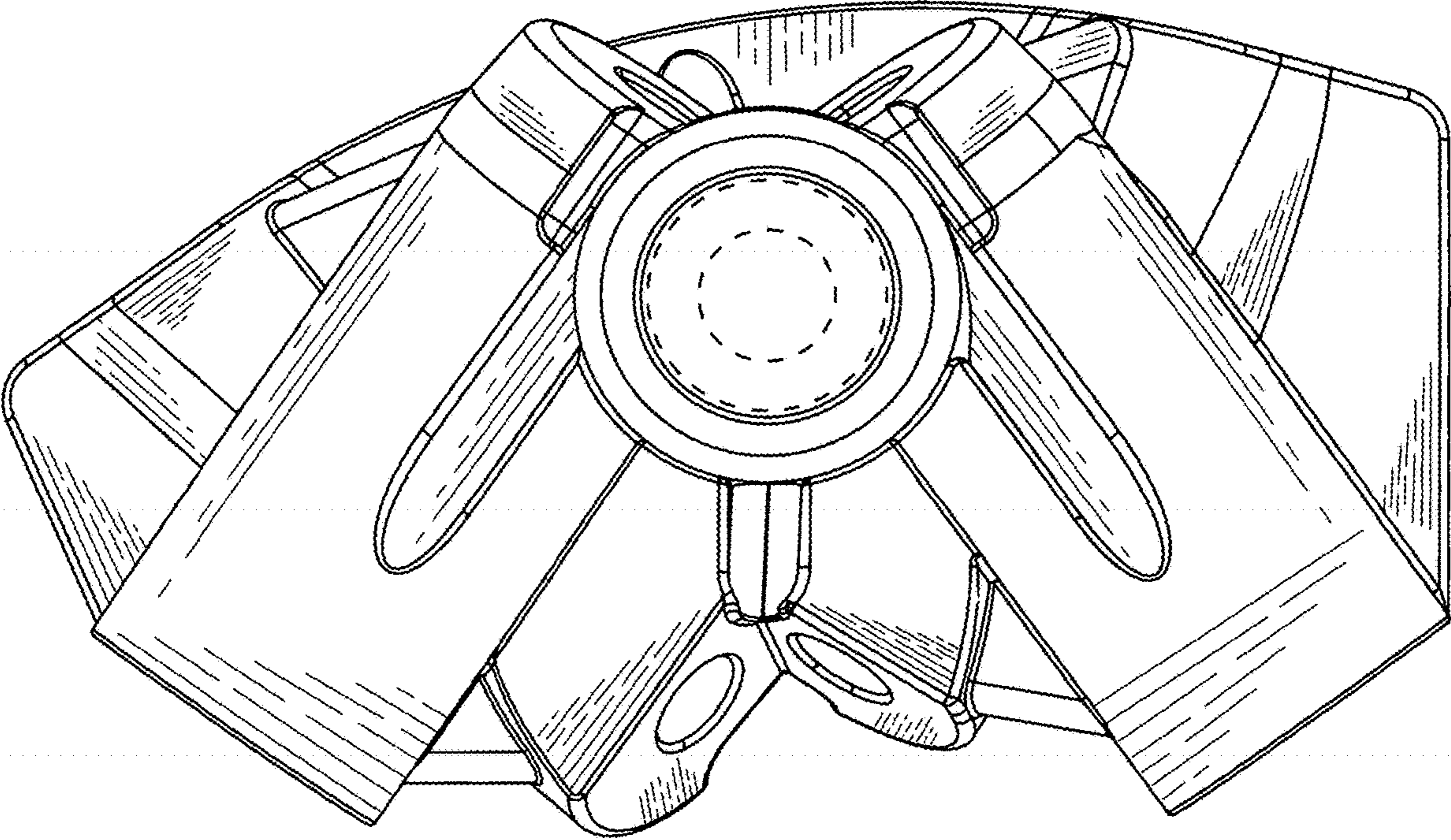


FIG. 1



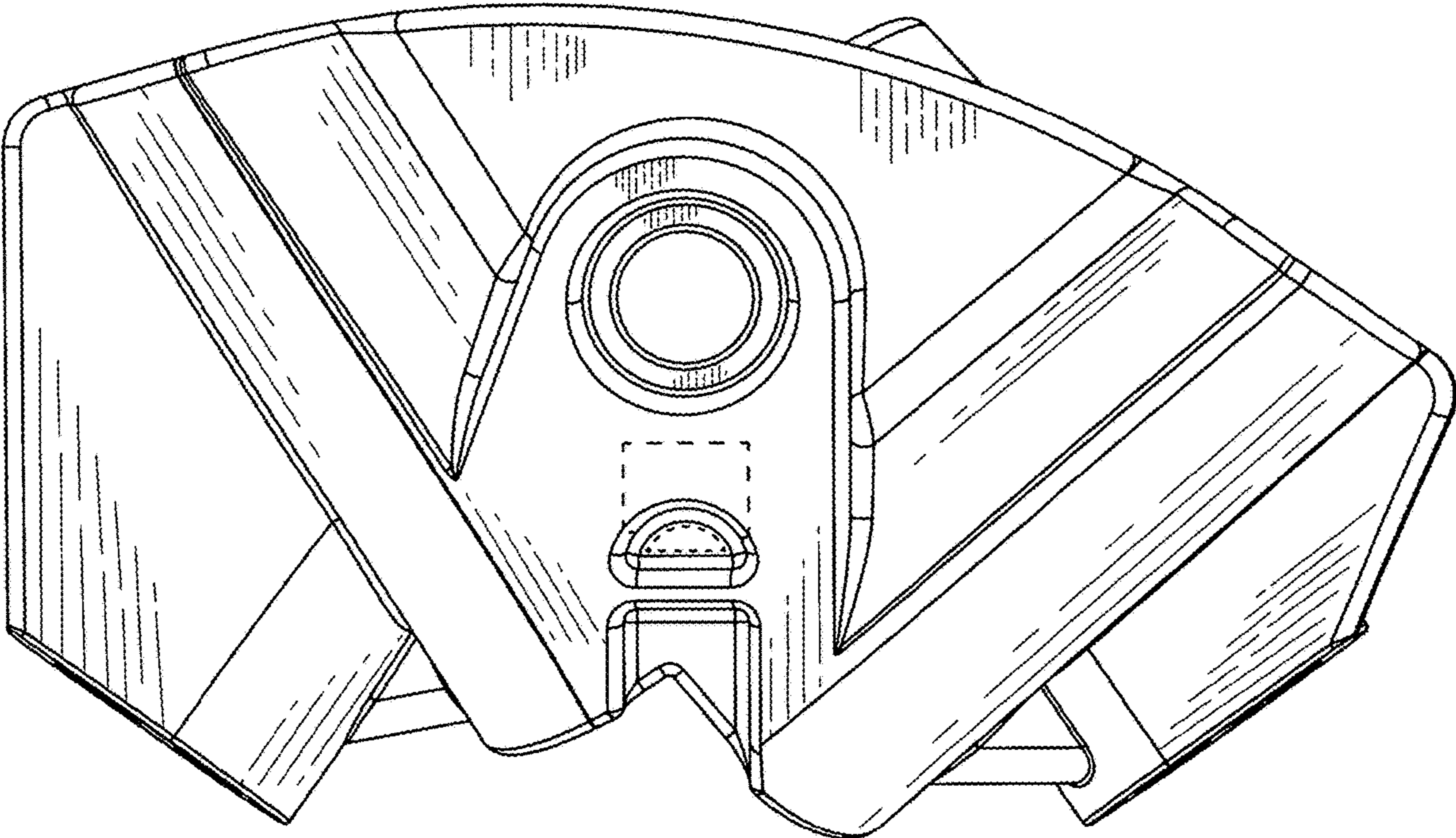


FIG. 2

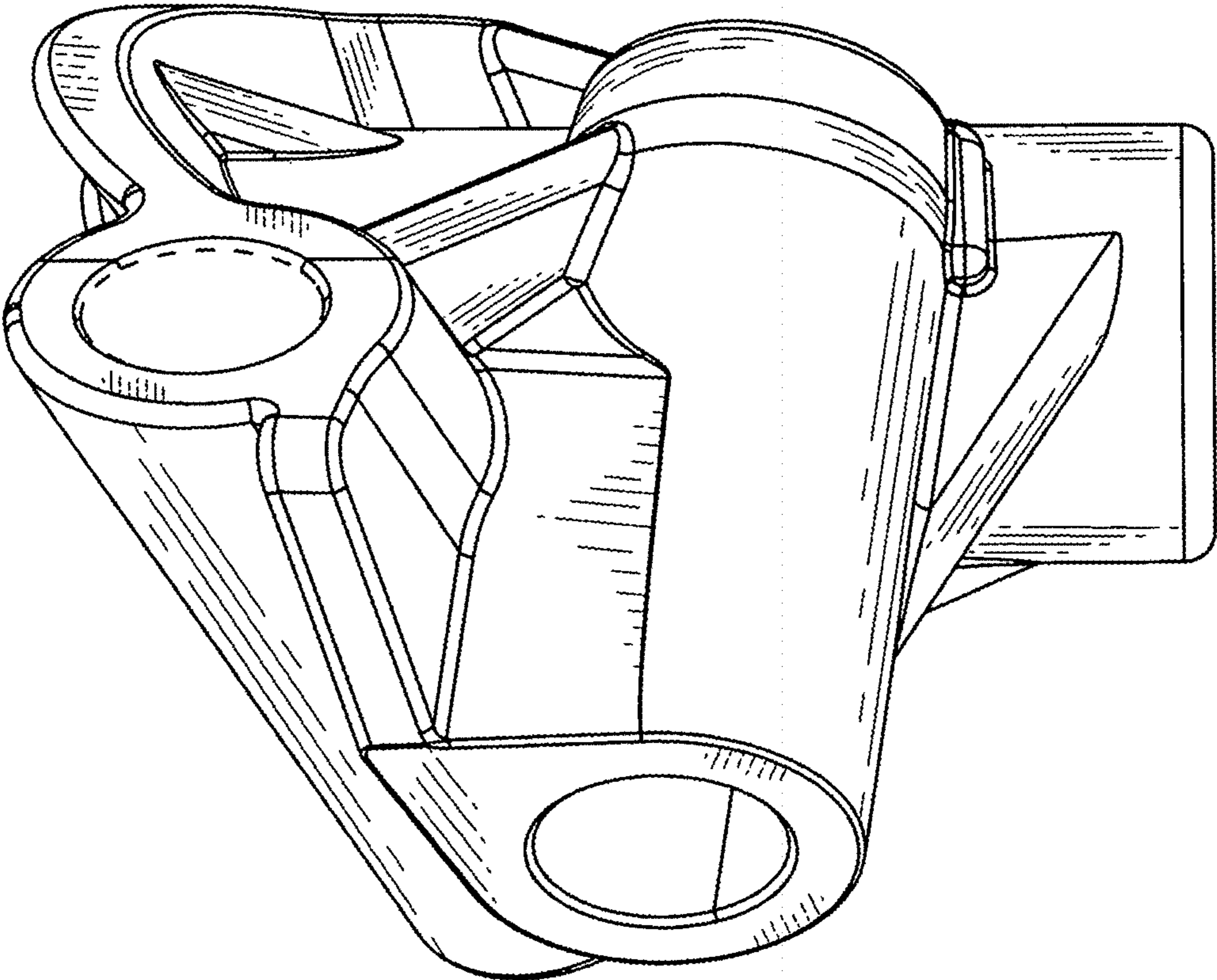


FIG. 3

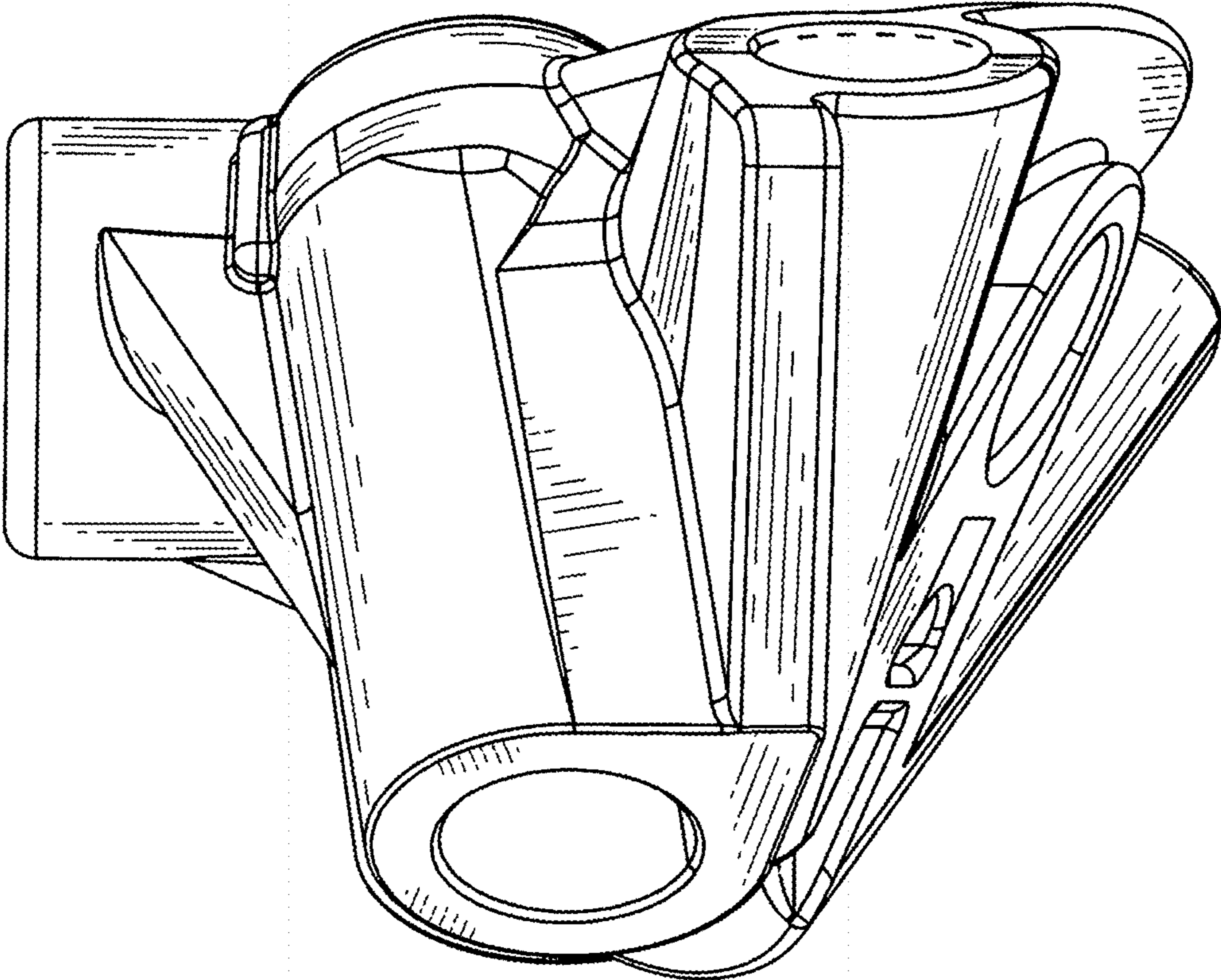


FIG. 4

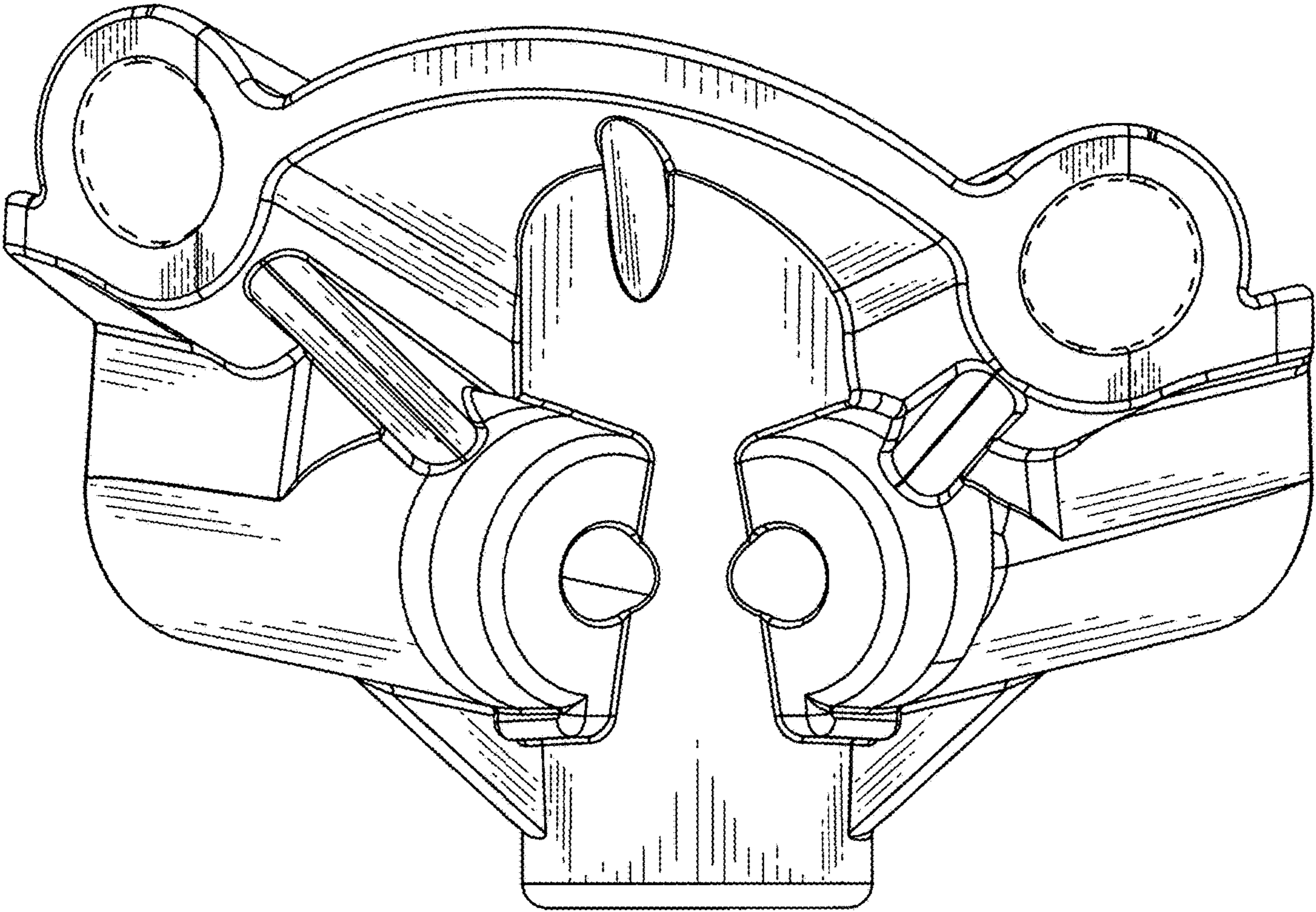


FIG. 5



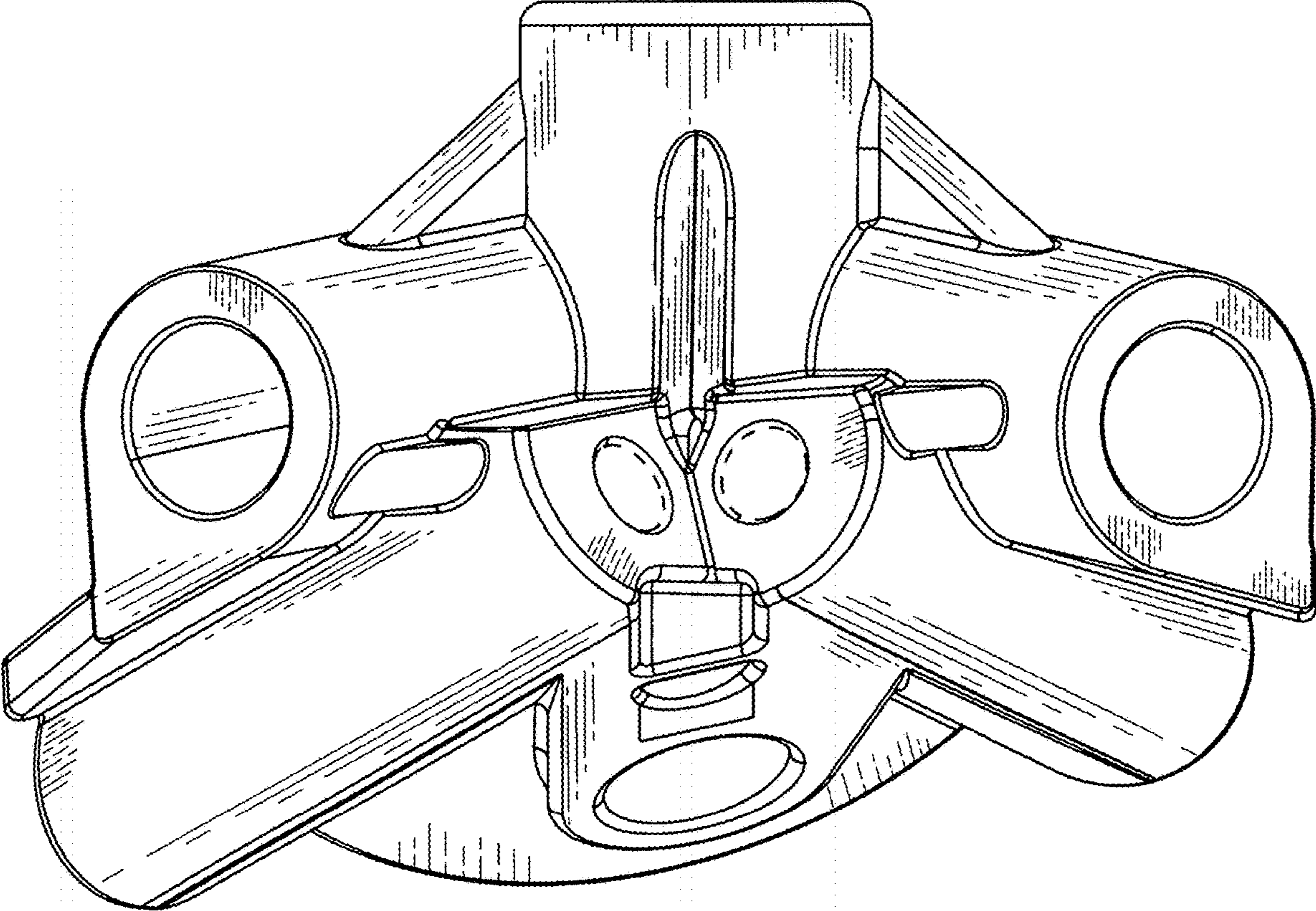


FIG. 6

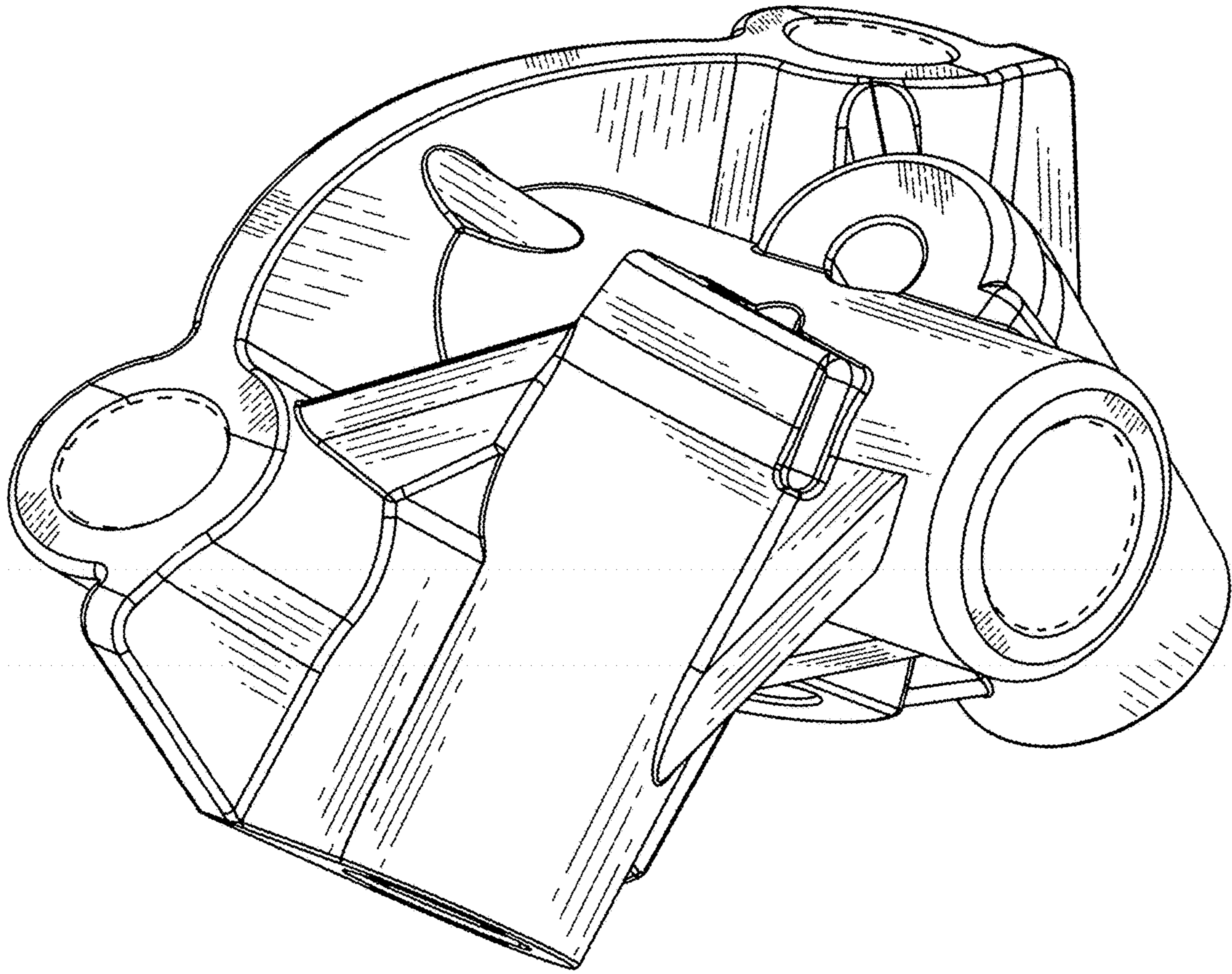


FIG. 7



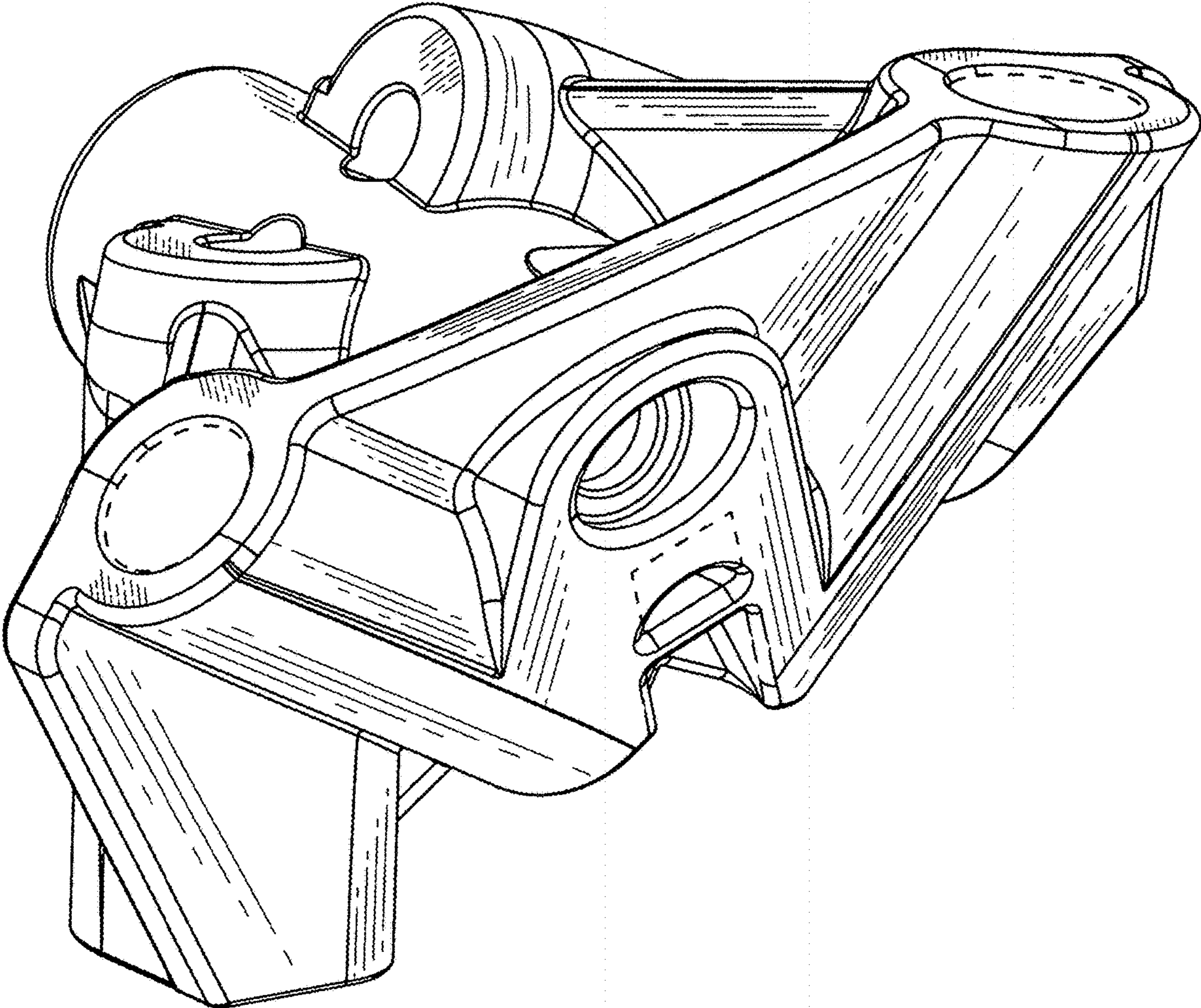


FIG. 8