



US00D906792S

(12) **United States Design Patent** (10) **Patent No.:** **US D906,792 S**
Tsai (45) **Date of Patent:** **** Jan. 5, 2021**

(54) **WHEEL COVER**
(71) Applicant: **Po-Chuan Tsai**, Tainan (TW)
(72) Inventor: **Po-Chuan Tsai**, Tainan (TW)
(**) Term: **15 Years**
(21) Appl. No.: **29/644,342**
(22) Filed: **Apr. 17, 2018**
(51) **LOC (13) Cl.** **08-05**
(52) **U.S. Cl.**
USPC **D8/375**
(58) **Field of Classification Search**
USPC D8/375, 358, 359; D34/27; D14/484;
D3/24; D22/137, 140
CPC B60B 33/0002; B60B 33/00; Y10T 16/18;
Y10T 16/209; Y10T 16/216; A47B 91/06;
A47C 7/006; E05D 15/0678; F16C
13/006; F16C 2326/02; F16C 33/4652;
F16C 33/498; F16C 33/74; Y10S 297/04
See application file for complete search history.

(56) **References Cited**
U.S. PATENT DOCUMENTS
D389,101 S * 1/1998 Julien D12/209

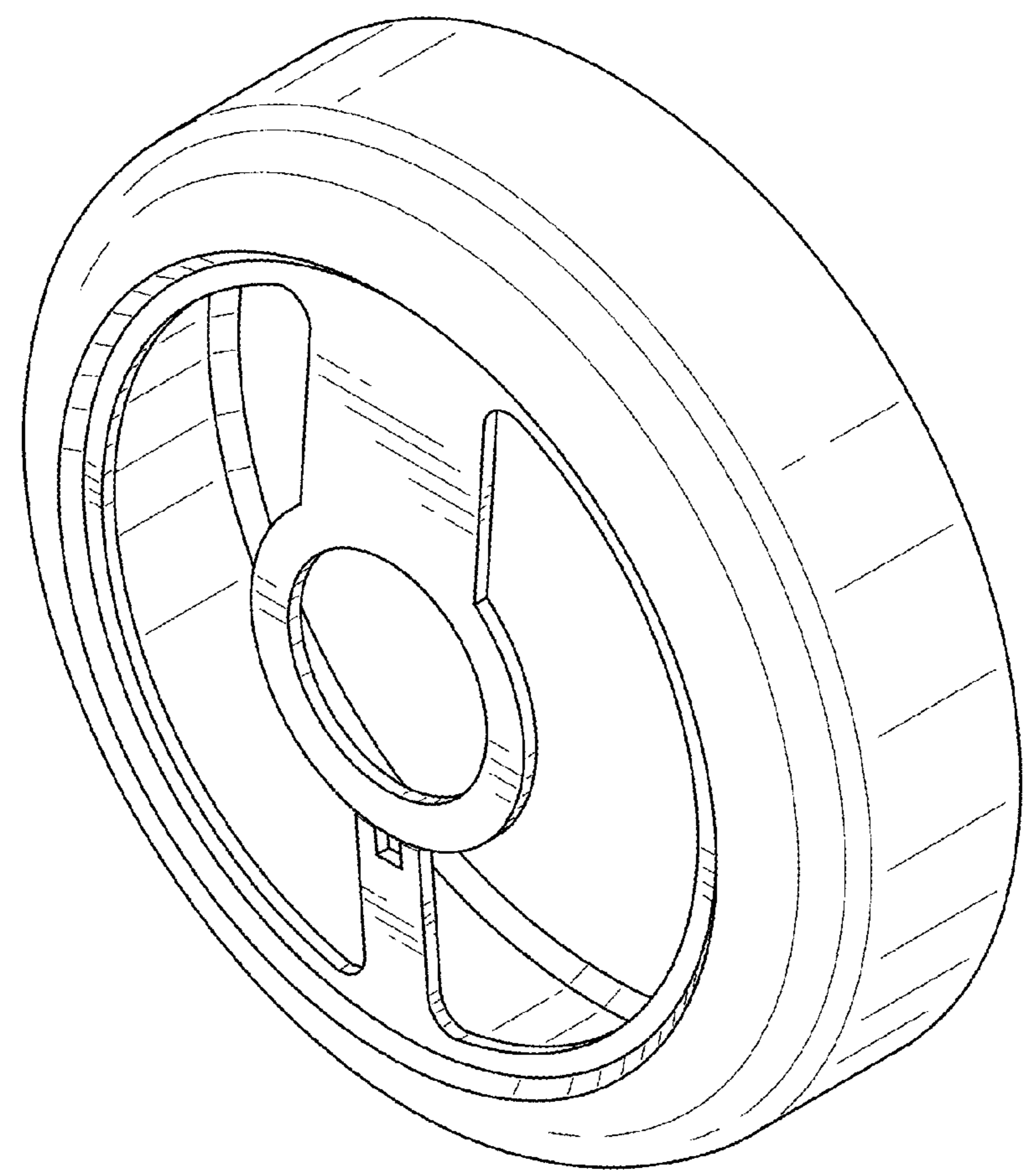
D592,042 S * 5/2009 Brodbeck D8/375
D668,943 S * 10/2012 Tsa D8/375

* cited by examiner
Primary Examiner — Eliza Z Bennett-Hattan
(74) *Attorney, Agent, or Firm* — Burriss Law, PLLC

(57) **CLAIM**
The ornamental design for a wheel cover, as shown and described.

DESCRIPTION
FIG. 1 is a perspective view of a wheel cover showing my new design;
FIG. 2 is a front elevational view thereof;
FIG. 3 is a rear elevational view thereof;
FIG. 4 is a left side elevational view thereof;
FIG. 5 is a right side elevational view thereof;
FIG. 6 is a top plan view thereof;
FIG. 7 is a bottom plan view thereof;
FIG. 8 is another perspective view thereof;
FIG. 9 is a perspective view of the design in a state of use; and,
FIG. 10 is a sectional view taken along line X-X in FIG. 2. The broken lines are for illustrating environment structure only and form no part of the claimed design.

1 Claim, 8 Drawing Sheets



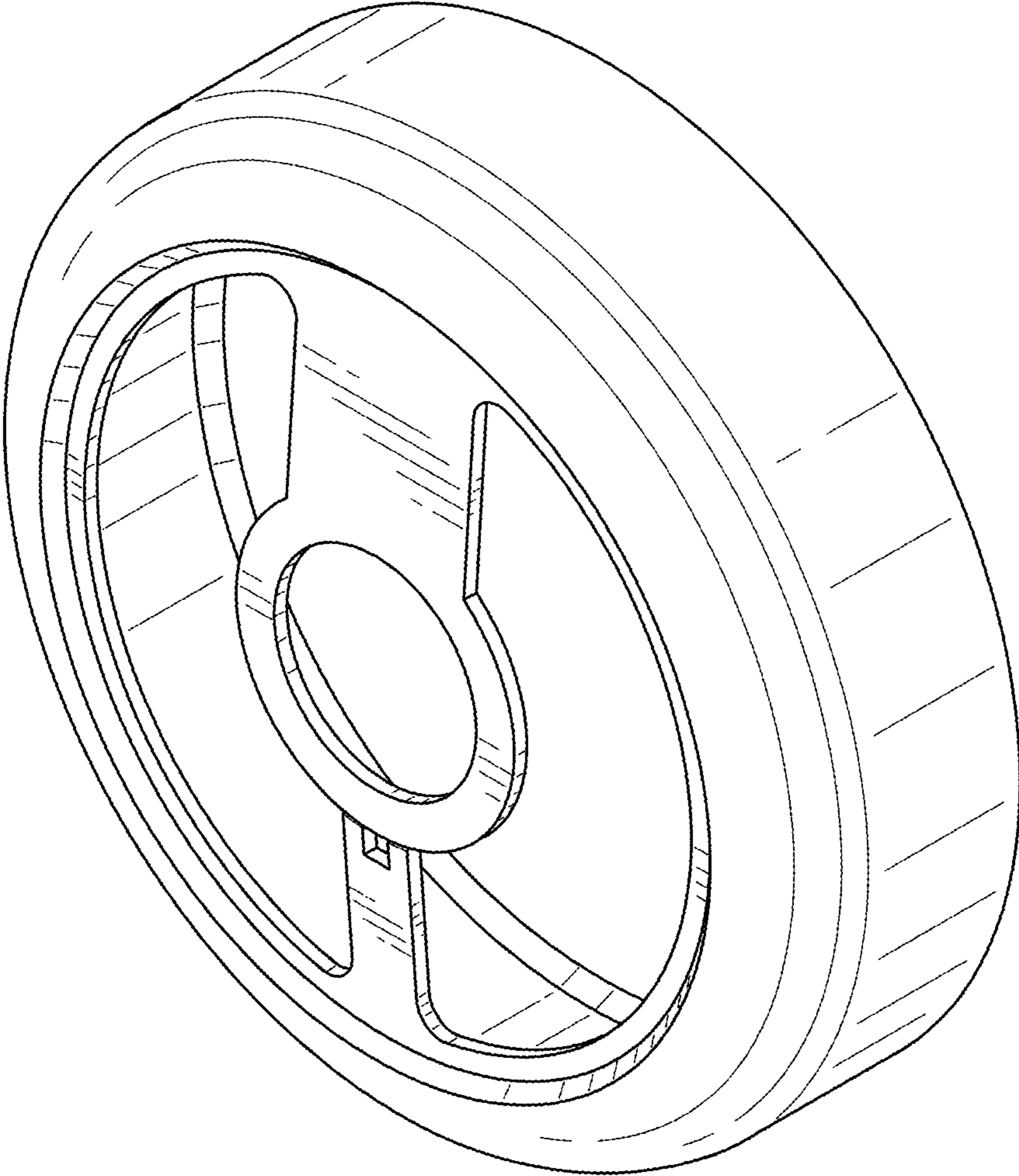


FIG. 1

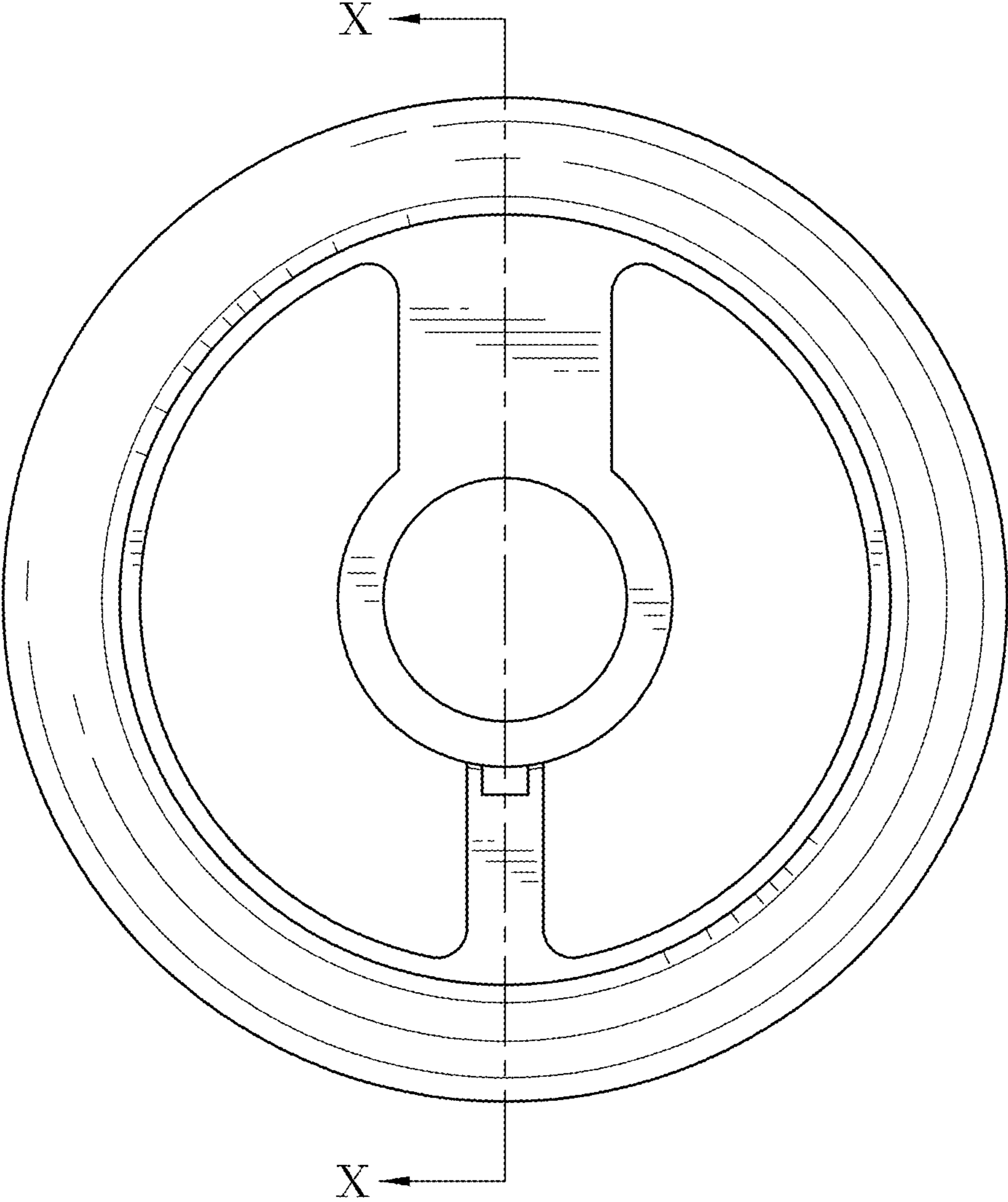


FIG.2

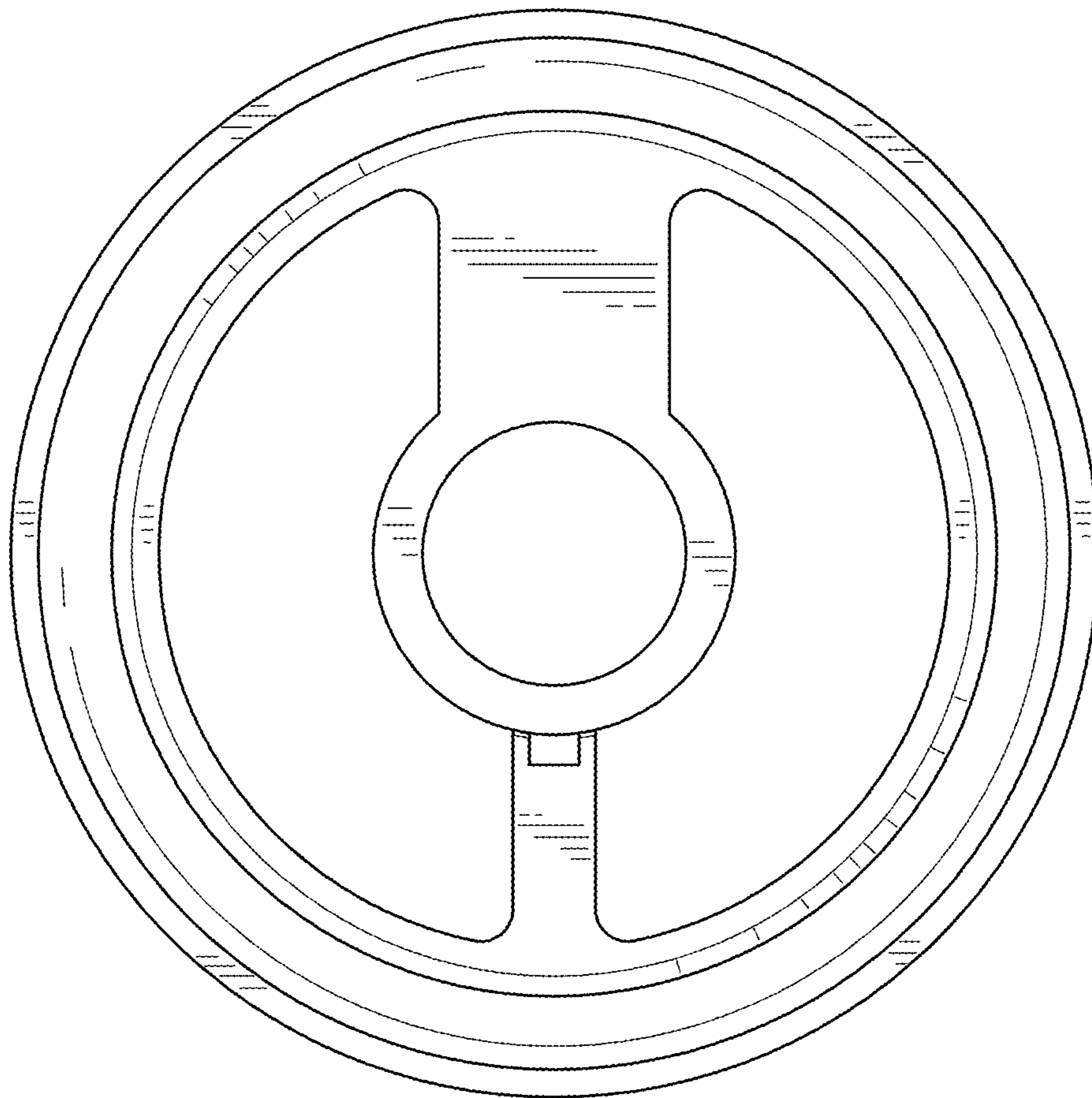


FIG.3

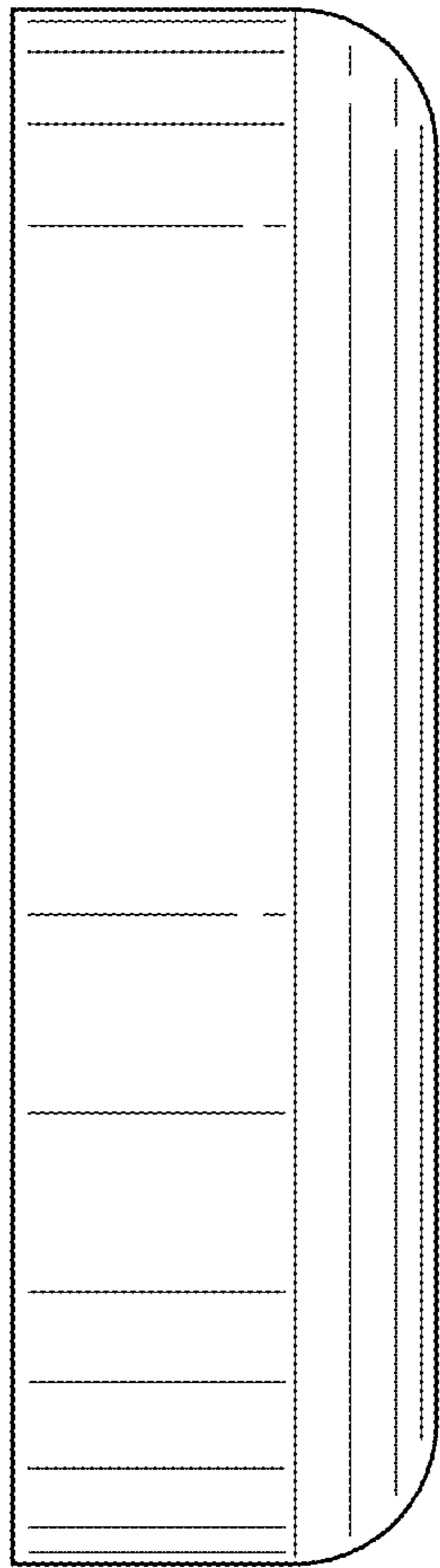


FIG. 4

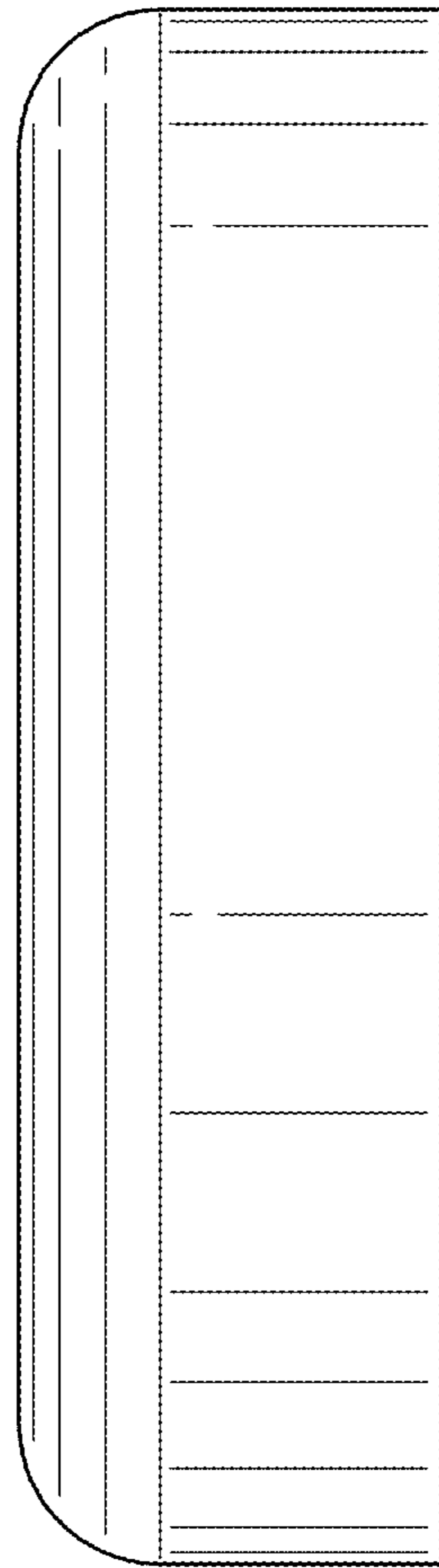


FIG. 5

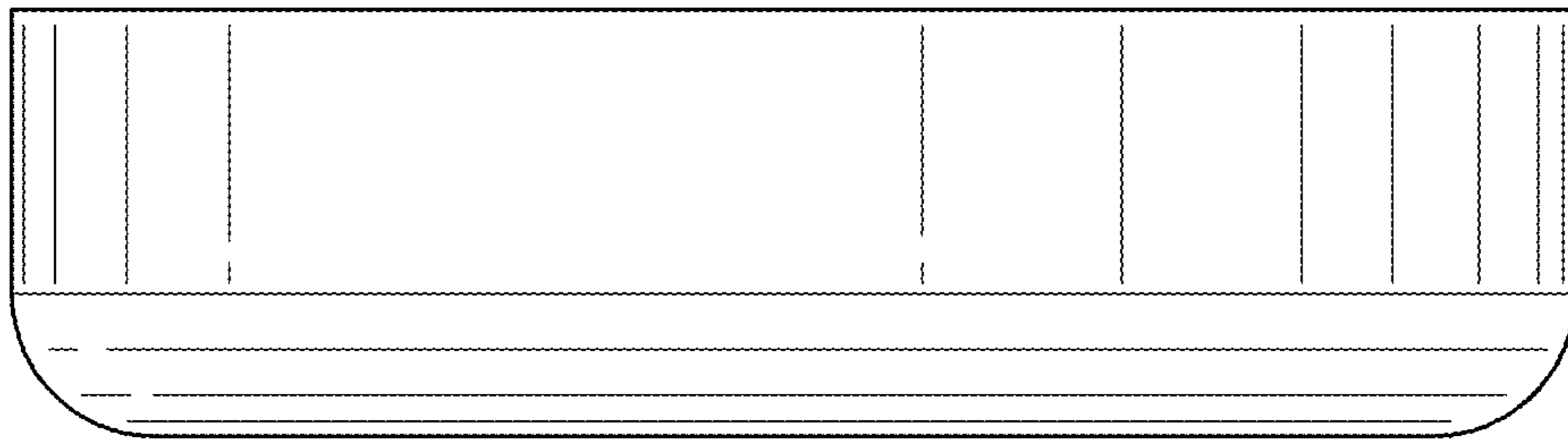


FIG. 6

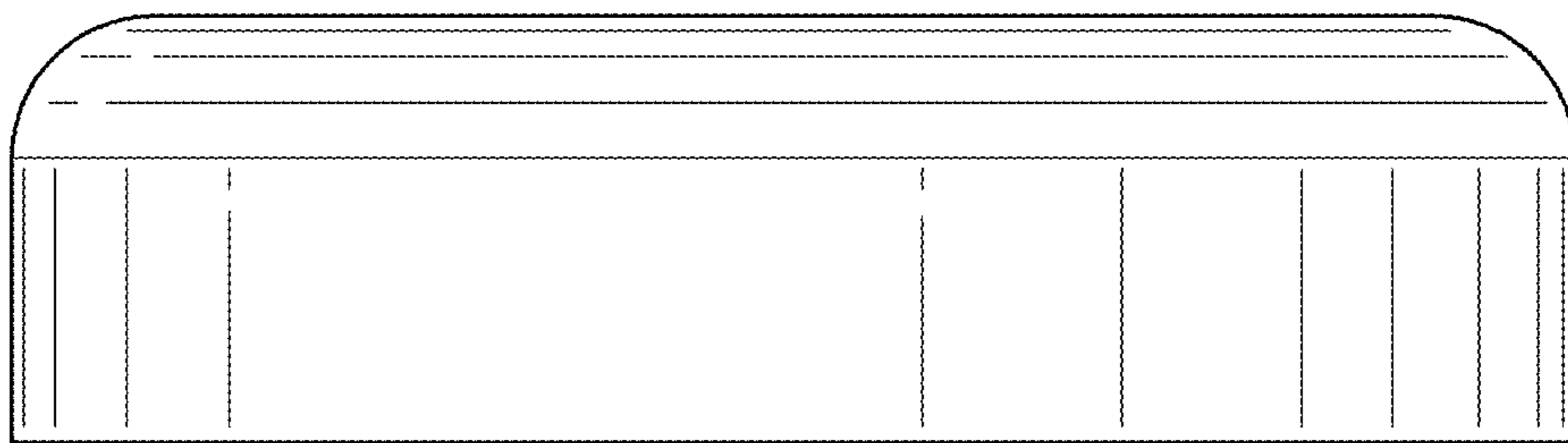


FIG. 7

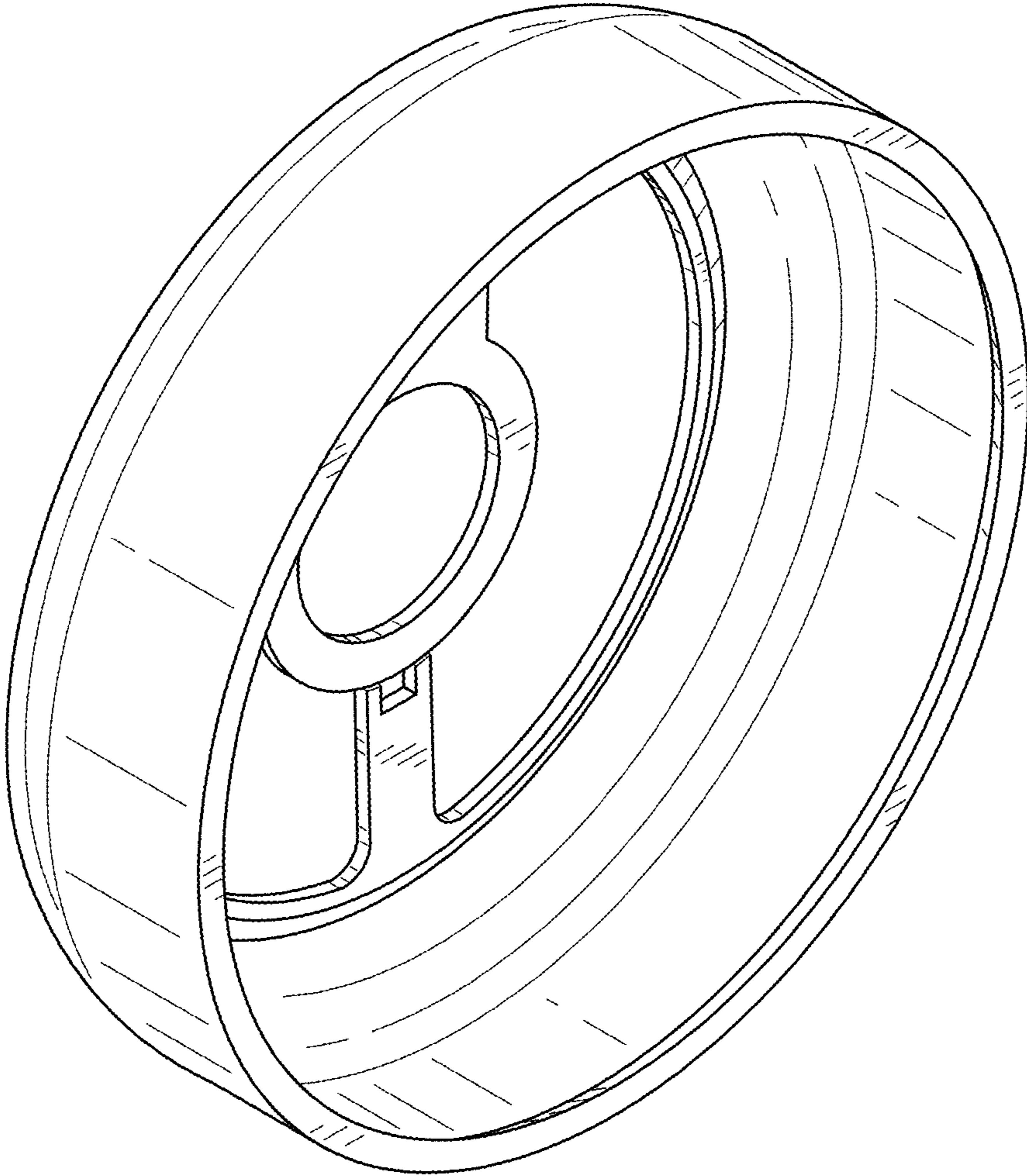


FIG.8

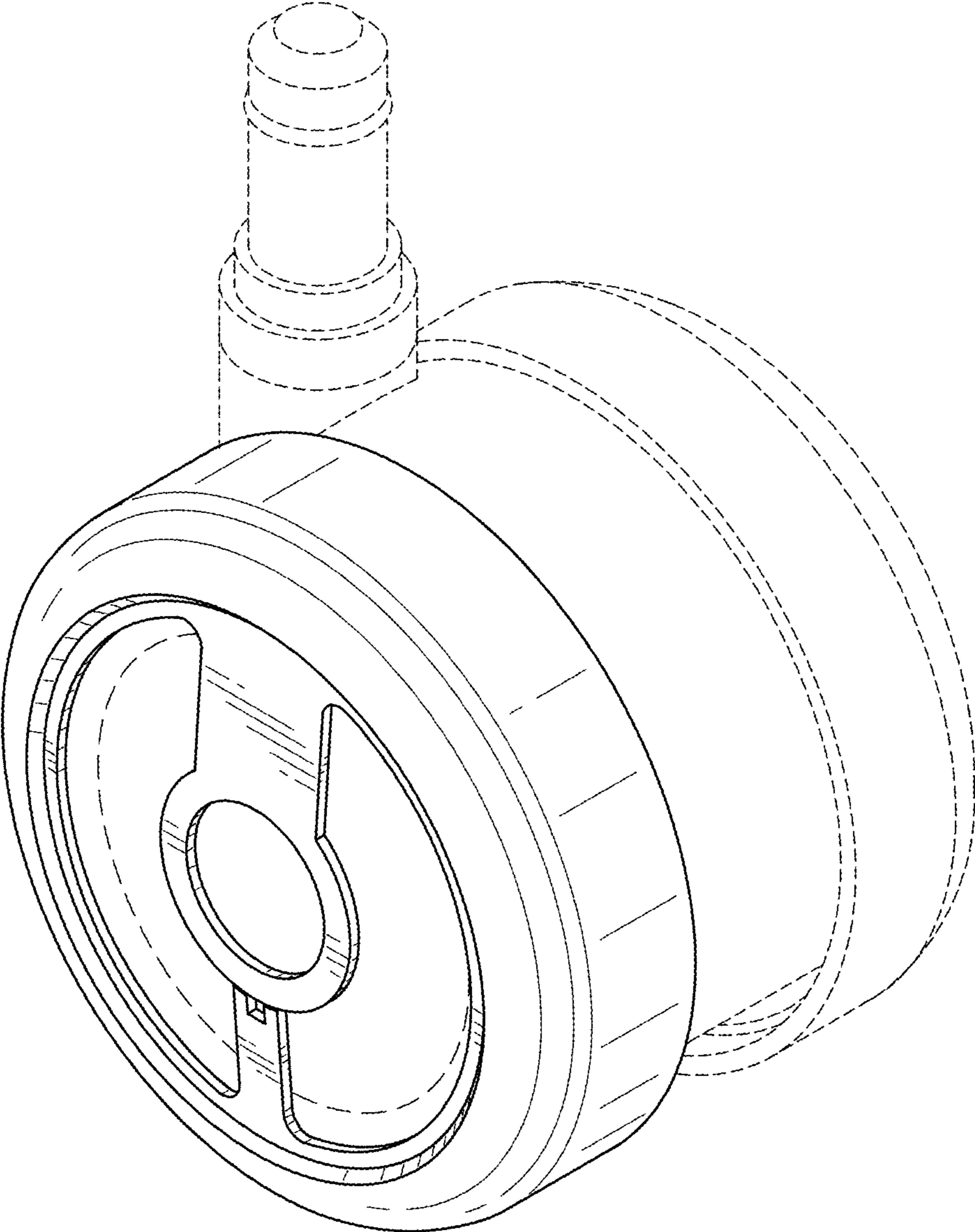


FIG.9

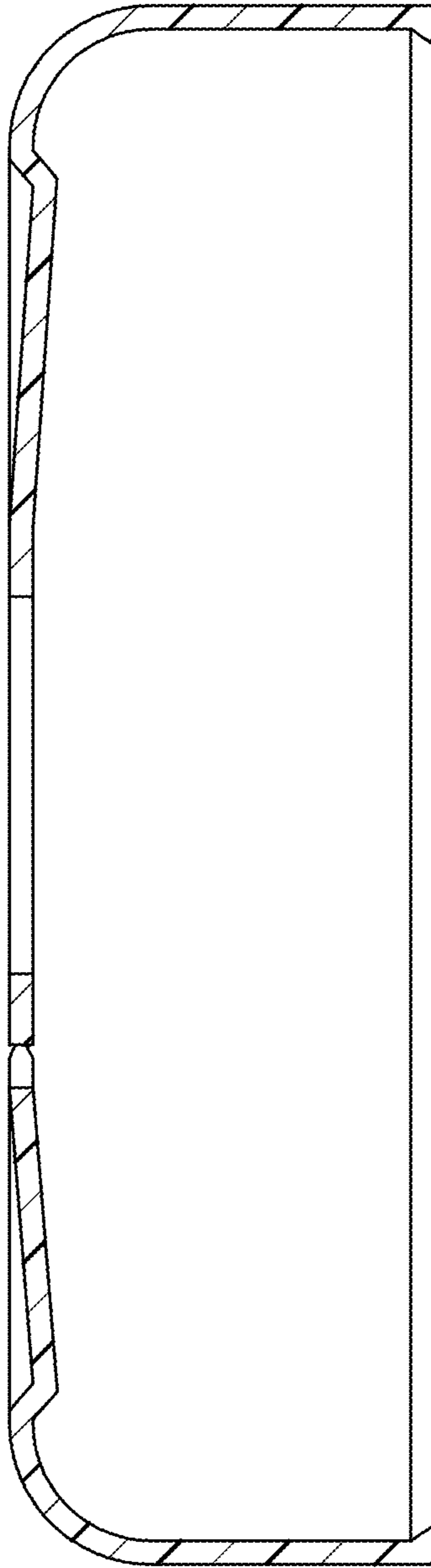


FIG. 10