



US00D906791S

(12) **United States Design Patent**
Harders

(10) **Patent No.:** **US D906,791 S**

(45) **Date of Patent:** **** Jan. 5, 2021**

(54) **BRACKET**

(71) Applicant: **Patrick Harders**, Sterling, VA (US)

(72) Inventor: **Patrick Harders**, Sterling, VA (US)

(**) Term: **15 Years**

(21) Appl. No.: **29/700,829**

(22) Filed: **Aug. 6, 2019**

(51) **LOC (13) Cl.** **09-06**

(52) **U.S. Cl.**
USPC **D8/356**; D8/394; D8/381

(58) **Field of Classification Search**
USPC D8/323, 349, 356, 394, 381; D12/412;
16/250, 338, 227; 242/388.6; D13/155
CPC E05D 11/082; E05D 5/12; E05D 1/02;
B64G 1/222; B60N 2/01508
See application file for complete search history.

(56) **References Cited**

U.S. PATENT DOCUMENTS

1,583,343	A *	5/1926	Duerden	F16G 11/14 24/129 R
3,359,701	A *	12/1967	Schneller	E04B 1/41 52/712
D245,312	S *	8/1977	Rasmussen	D8/356
D255,323	S *	6/1980	Palmroth	D8/373
D259,242	S *	5/1981	Gilb	D8/373
D274,803	S *	7/1984	Hughes	D12/126
D311,487	S *	10/1990	Platt	D8/356
D313,338	S *	1/1991	Rasmussen	D8/356
D348,213	S *	6/1994	Moliner	D8/367
D349,040	S *	7/1994	Moliner	D8/367
D349,447	S *	8/1994	Daniller	D8/367
D390,447	S *	2/1998	Colen, Jr.	D8/356
D394,553	S *	5/1998	Lin	D3/318
D394,632	S *	5/1998	Miller	D12/223
D398,283	S *	9/1998	Miller	D12/223
6,092,444	A *	7/2000	Hsiao	B25B 13/48 7/168

6,095,282	A *	8/2000	Sadeck	A62B 1/04 182/191
6,344,021	B1 *	2/2002	Juster	A61N 2/06 600/15
6,523,229	B2 *	2/2003	Severson	B65D 63/1018 24/16 PB
6,813,981	B2 *	11/2004	Urban	B21F 11/00 30/90.1
D514,432	S *	2/2006	McLaughlin	D8/356
D528,951	S *	9/2006	Oben	D12/180
D542,631	S *	5/2007	Munson	D8/373
D543,834	S *	6/2007	Worthy	D8/354
D570,208	S *	6/2008	Senn	D8/400
D599,196	S *	9/2009	Ruffin	D8/356

(Continued)

Primary Examiner — Cynthia R Underwood

(57) **CLAIM**

The ornamental design for a bracket, as shown and described.

DESCRIPTION

FIG. 1 shows a front isometric view of a bracket having the design of the present invention.

FIG. 2 depicts a bottom isometric view of a bracket having the design of the present invention.

FIG. 3 is a rear view of a bracket having the design of the present invention.

FIG. 4 presents a front view of a bracket having the design of the present invention.

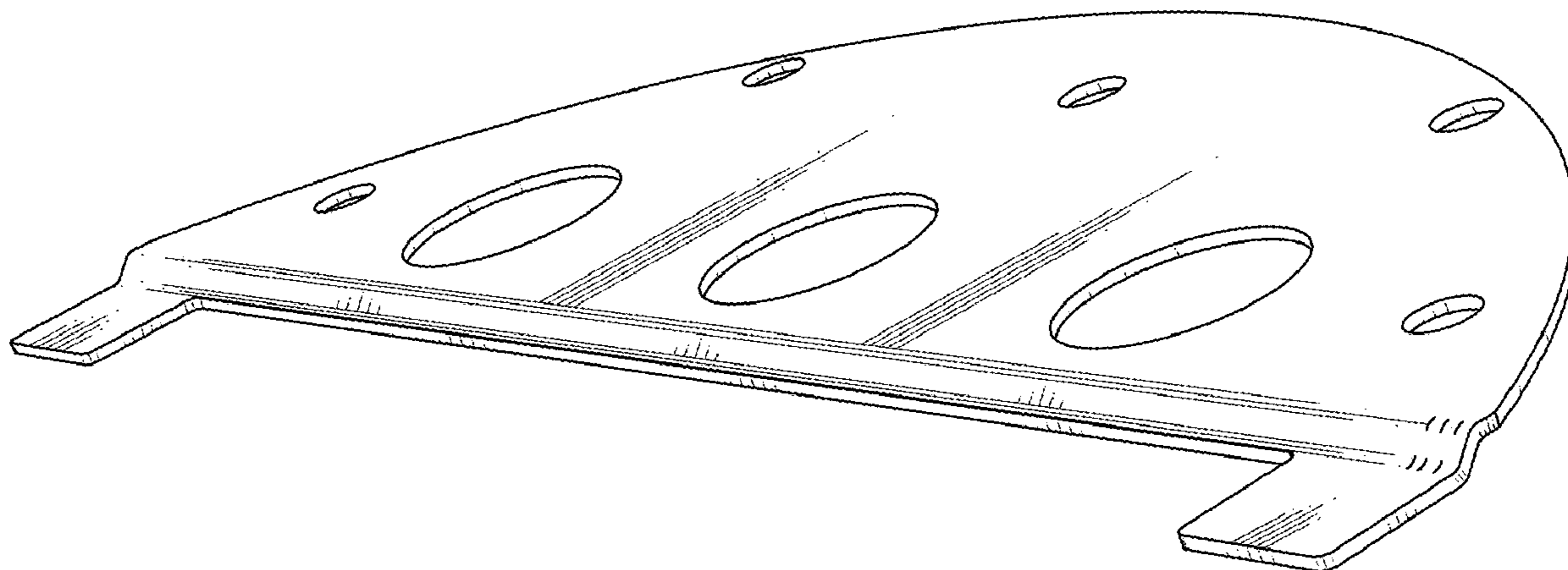
FIG. 5 shows a top view of a bracket having the design of the present invention.

FIG. 6 depicts a bottom side view of a bracket having the design of the present invention.

FIG. 7 is a right side view of a bracket having the design of the present invention; and,

FIG. 8 is a left side view of a bracket having the design of the present invention.

1 Claim, 3 Drawing Sheets



(56)

References Cited

U.S. PATENT DOCUMENTS

7,825,337 B2 * 11/2010 Young, IV H02G 3/30
 174/72 A
 D657,564 S * 4/2012 Baker D3/328
 D659,513 S * 5/2012 Lin D8/349
 D684,845 S * 6/2013 Wood A62B 35/04
 D8/356
 D686,486 S * 7/2013 Densmore D8/349
 8,615,849 B2 * 12/2013 Rothbaum H01F 7/0263
 24/16 R
 D712,295 S * 9/2014 Ennis D11/3
 D713,240 S * 9/2014 Chance D8/356
 D724,935 S * 3/2015 Warner D8/356
 D731,296 S * 6/2015 Nelson D8/356
 D732,933 S * 6/2015 Jansen D8/356
 D740,106 S * 10/2015 Cooper D8/356
 D751,360 S * 3/2016 Oakley D8/18
 D760,578 S * 7/2016 Sigona D8/349
 D769,105 S * 10/2016 Tomney D8/356

D799,304 S * 10/2017 Fraas D8/323
 D801,793 S * 11/2017 Johnson D8/381
 D811,202 S * 2/2018 Goodman D8/370
 D811,859 S * 3/2018 Orser D8/356
 D818,517 S * 5/2018 Szarawarski D16/242
 D826,698 S * 8/2018 Nelson D8/356
 D831,031 S * 10/2018 Burch, V D14/453
 D839,084 S * 1/2019 Mikoska D8/356
 D840,789 S * 2/2019 Chen D8/356
 D848,822 S * 5/2019 Cooper D8/356
 D876,931 S * 3/2020 Li D8/356
 D877,603 S * 3/2020 Barker D8/394
 D885,870 S * 6/2020 Reilly D8/356
 D892,972 S * 8/2020 Mullen D23/206
 2005/0251967 A1 * 11/2005 McNeill B65D 63/1027
 24/16 PB
 2009/0106948 A1 * 4/2009 Lopez B65D 63/1018
 24/16 PB
 2018/0070713 A1 * 3/2018 Moreau A45F 5/021
 2018/0084886 A1 * 3/2018 O'Hare A45D 2/18

* cited by examiner

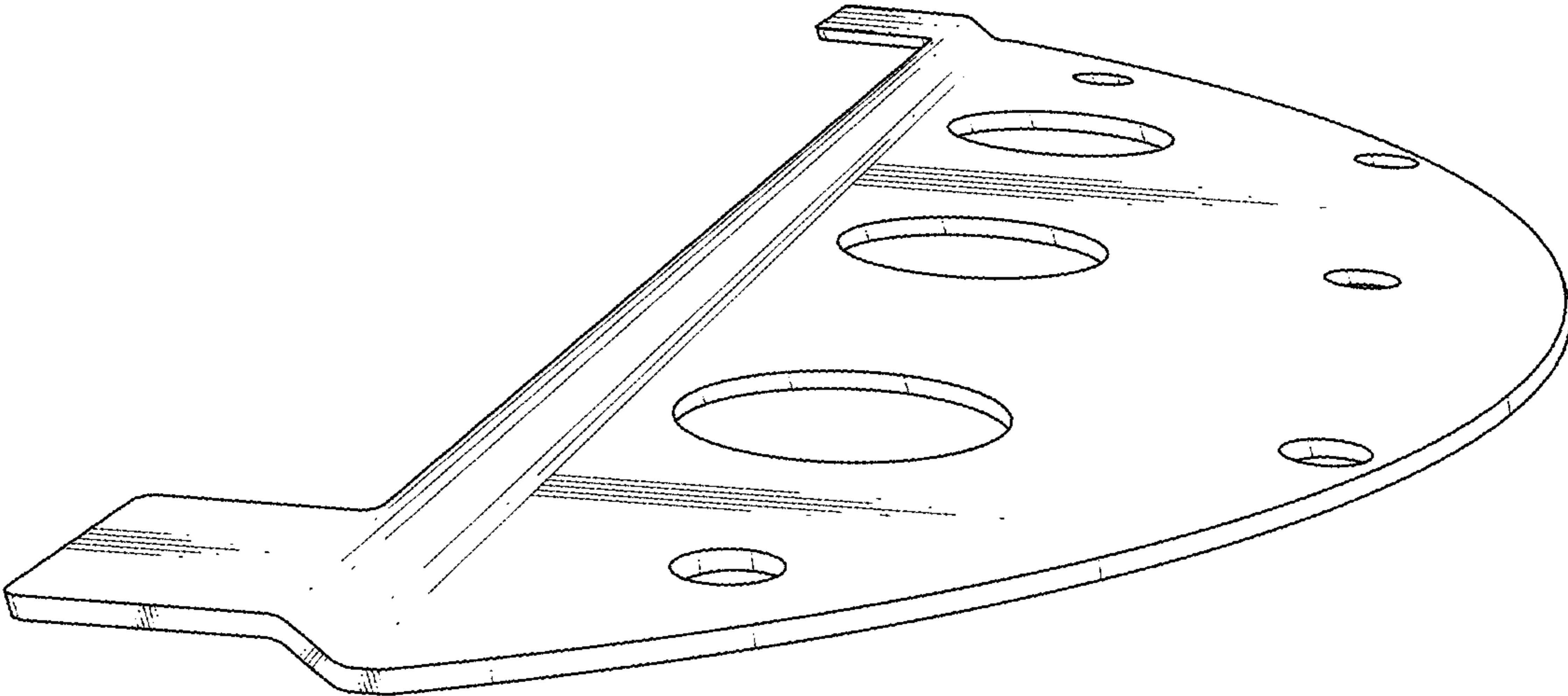


Fig. 1

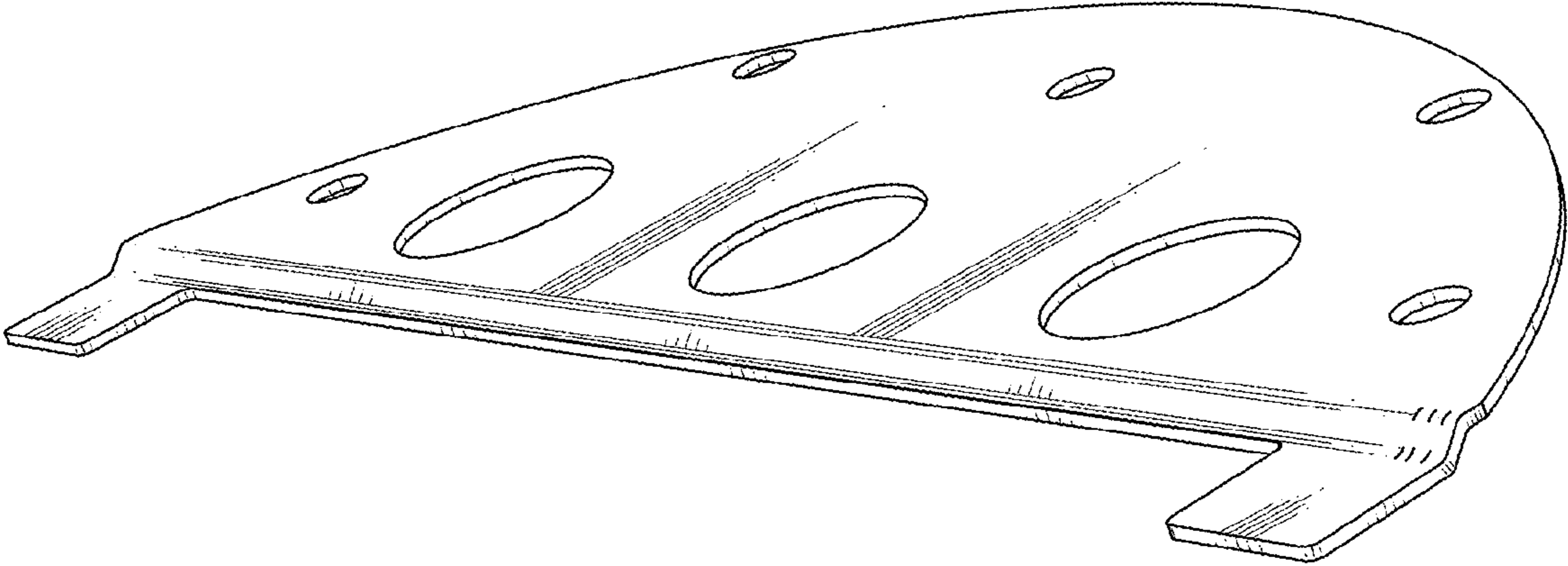


Fig. 2

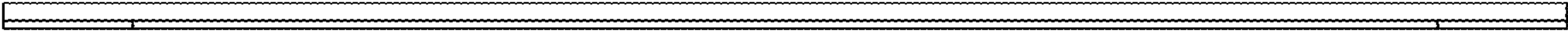


Fig. 3

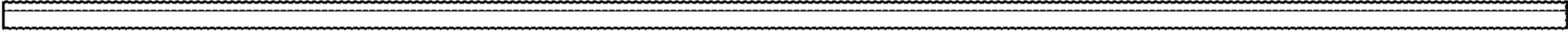


Fig. 4

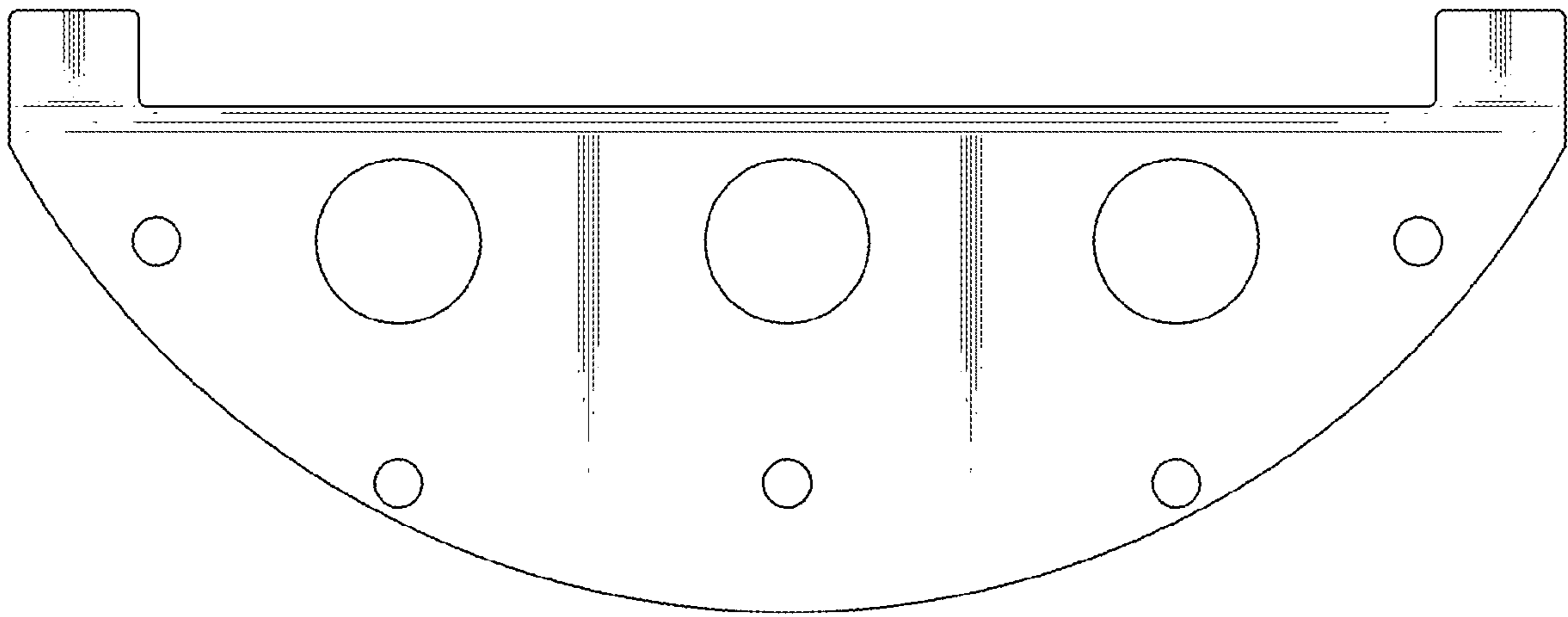


Fig. 5

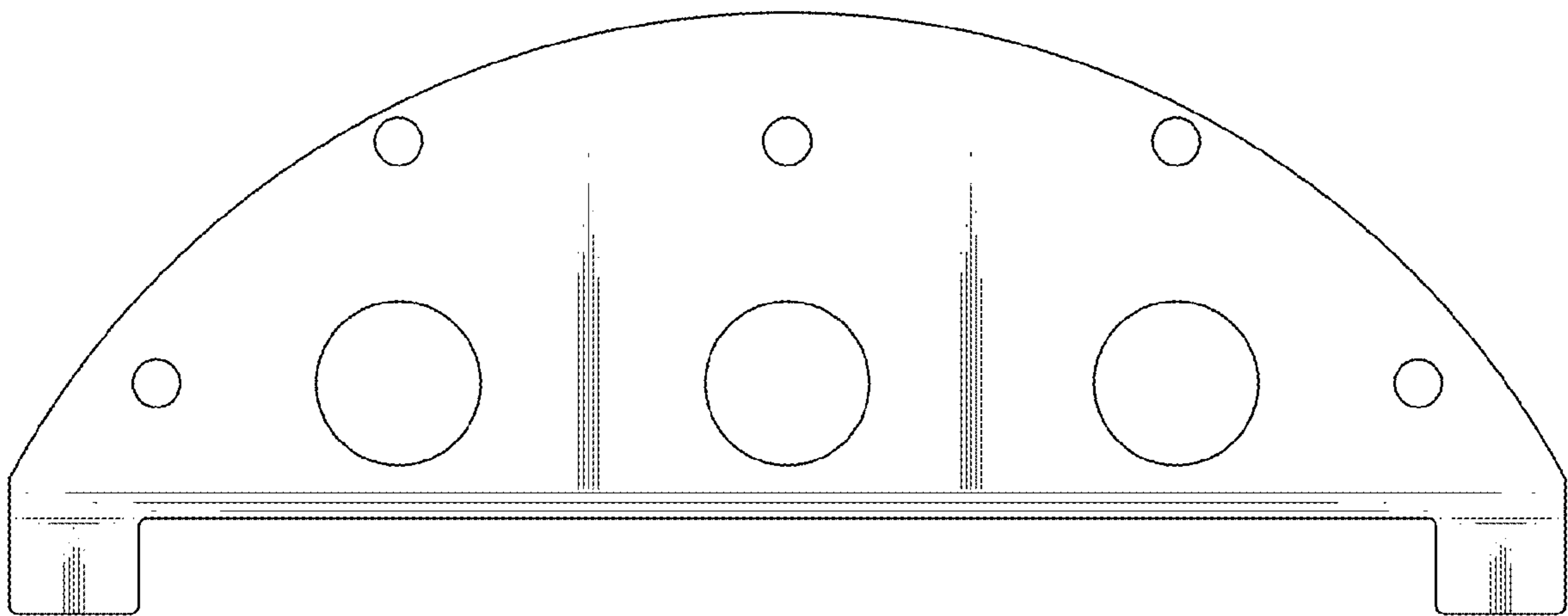


Fig. 6

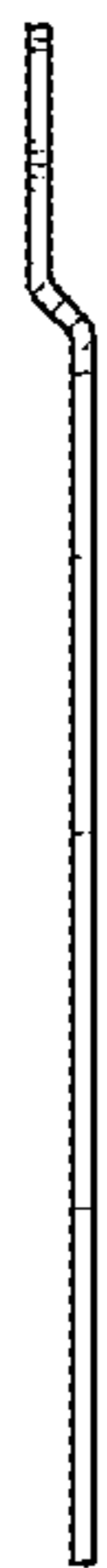


Fig. 7



Fig. 8