



US00D906789S

(12) **United States Design Patent**
Tang et al.

(10) **Patent No.:** **US D906,789 S**

(45) **Date of Patent:** **** Jan. 5, 2021**

(54) **SUPPORTING ELEMENT FOR A FURNITURE COMPONENT**

(71) Applicant: **eMoMo Technology Co., Ltd.**, Baoan (CN)

(72) Inventors: **Wenji Tang**, Shenzhen (CN); **Jingzhi Chen**, Shenzhen (CN)

(73) Assignee: **eMoMo Technology Co., Ltd.**, Baoan (CN)

(**) Term: **15 Years**

(21) Appl. No.: **29/695,281**

(22) Filed: **Jun. 18, 2019**

Related U.S. Application Data

(63) Continuation-in-part of application No. 29/670,191, filed on Nov. 14, 2018.

(30) **Foreign Application Priority Data**

Dec. 24, 2018 (CN) 2018 1 1583854
May 6, 2019 (CN) 2019 1 0370389

(51) **LOC (13) Cl.** **08-05**

(52) **U.S. Cl.**
USPC **D8/354**; D14/227; D14/204

(58) **Field of Classification Search**
USPC ... D14/496, 137, 138 R, 172, 185, 206, 221, D14/225, 227, 204, 217; D8/354, 349
See application file for complete search history.

(56) **References Cited**

U.S. PATENT DOCUMENTS

D392,976 S * 3/1998 Fenner D14/211
D460,959 S * 7/2002 Solland D14/207

D462,950 S * 9/2002 Waffensmith D14/251
D488,147 S * 4/2004 Solland D14/211
D522,492 S * 6/2006 Carbone D14/211
D525,615 S * 7/2006 Tanaka D14/211
D562,307 S * 2/2008 Warden D14/211
D596,157 S * 7/2009 Warden D14/211
D681,007 S * 4/2013 Ryu D14/213
D705,193 S * 5/2014 Yoon D14/221

(Continued)

Primary Examiner — Cynthia R Underwood

(74) *Attorney, Agent, or Firm* — Moyles IP, LLC

(57) **CLAIM**

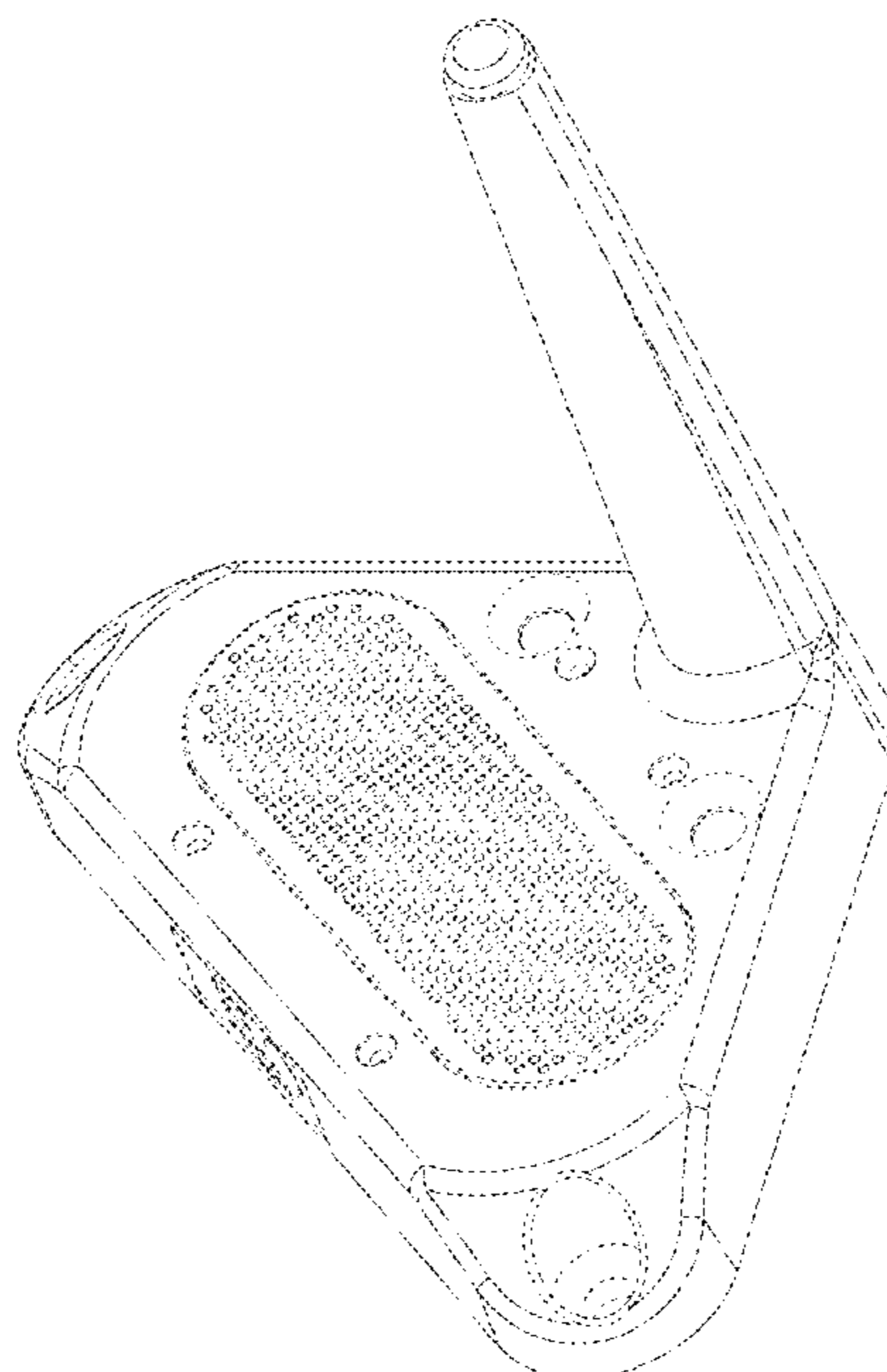
We claim the ornamental design of a supporting element for a furniture component, as shown and described.

DESCRIPTION

FIG. 1 is a top front perspective view of a supporting element for a furniture component, showing our new design; FIG. 2 is a bottom rear perspective view of the supporting element for a furniture component as shown in FIG. 1; FIG. 3 is a left side plan view of the supporting element for a furniture component as shown in FIG. 1; FIG. 4 is a right side plan view of the supporting element for a furniture component as shown in FIG. 1; FIG. 5 is a front plan view of the supporting element for a furniture component as shown in FIG. 1; FIG. 6 is a rear plan view of the supporting element for a furniture component as shown in FIG. 1; FIG. 7 is a top plan view of the supporting element for a furniture component as shown in FIG. 1; and, FIG. 8 is a bottom plan view of the supporting element for a furniture component as shown in FIG. 1.

The broken line portions of the drawings are for illustrating certain surface features of the supporting element for a furniture component and form no part of the claimed design.

1 Claim, 7 Drawing Sheets



(56)

References Cited

U.S. PATENT DOCUMENTS

D714,281	S	*	9/2014	Reznik	D14/251
D776,638	S	*	1/2017	Pietschmann	D14/209.1
D813,838	S	*	3/2018	Pietschmann	D14/214
D841,614	S	*	2/2019	Krapfl	D14/204
D841,623	S	*	2/2019	Nugent	D14/213
D849,514	S	*	5/2019	Rinaldi	D8/354
D857,647	S	*	8/2019	Pietschmann	D14/204
D876,202	S	*	2/2020	Lin	D8/354
D876,205	S	*	2/2020	Stener	D8/354
D880,278	S	*	4/2020	Jaramillo	D8/354
D884,672	S	*	5/2020	Nugent	D14/214
D884,685	S	*	5/2020	Chen	D14/227
D885,364	S	*	5/2020	Paterson	D14/206
D886,771	S	*	6/2020	Naddei	D14/204
D887,389	S	*	6/2020	Zhang	D14/204
D888,020	S	*	6/2020	Lyu	D14/221
D890,730	S	*	7/2020	Lu	D14/227
D890,731	S	*	7/2020	Lu	D14/227
D895,566	S	*	9/2020	Laube	D14/172
D895,583	S	*	9/2020	Smith	D14/227
D896,195	S	*	9/2020	Zhang	D14/130
D896,779	S	*	9/2020	Lin	D14/204

* cited by examiner

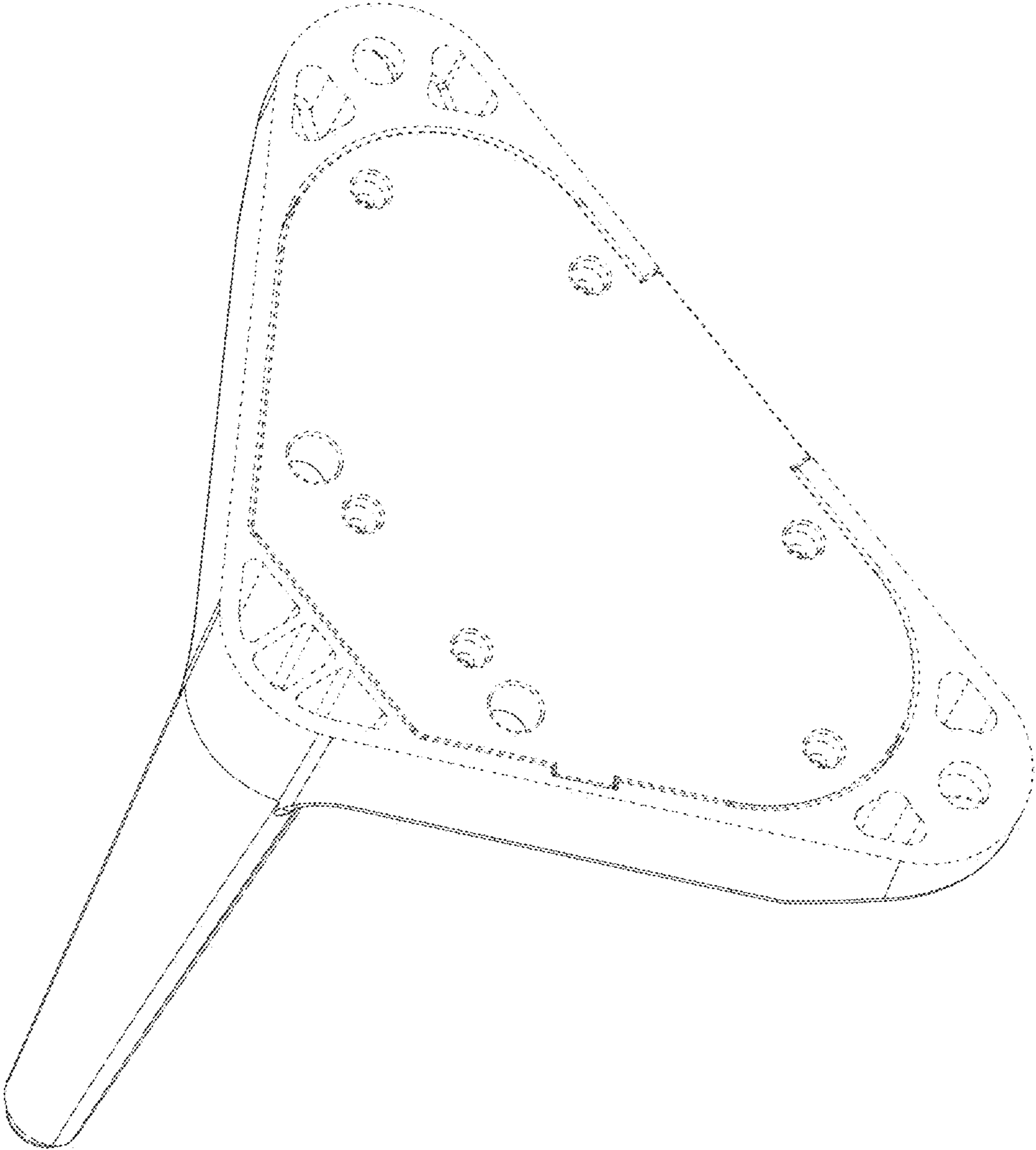


FIG. 1

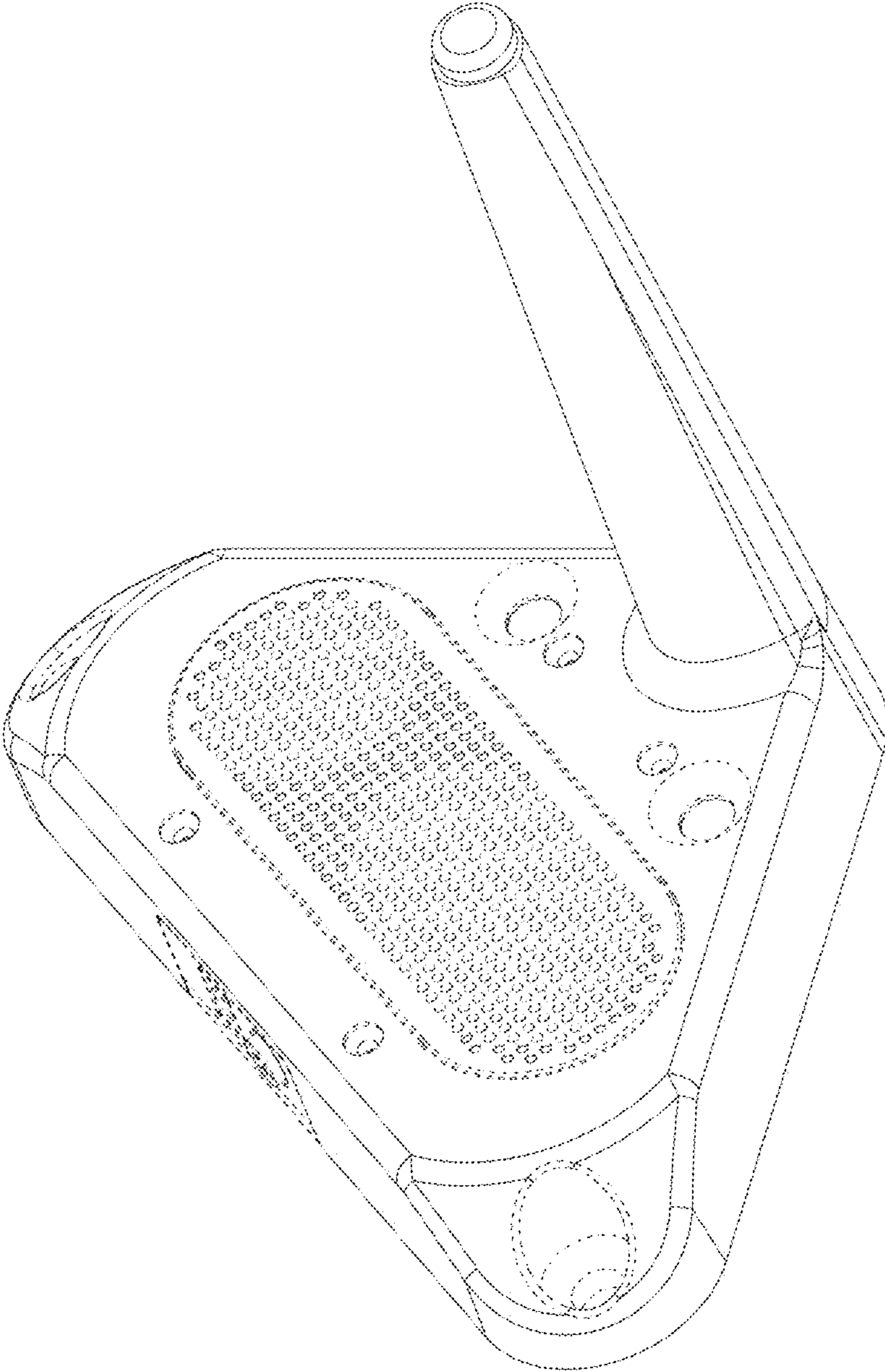


FIG. 2

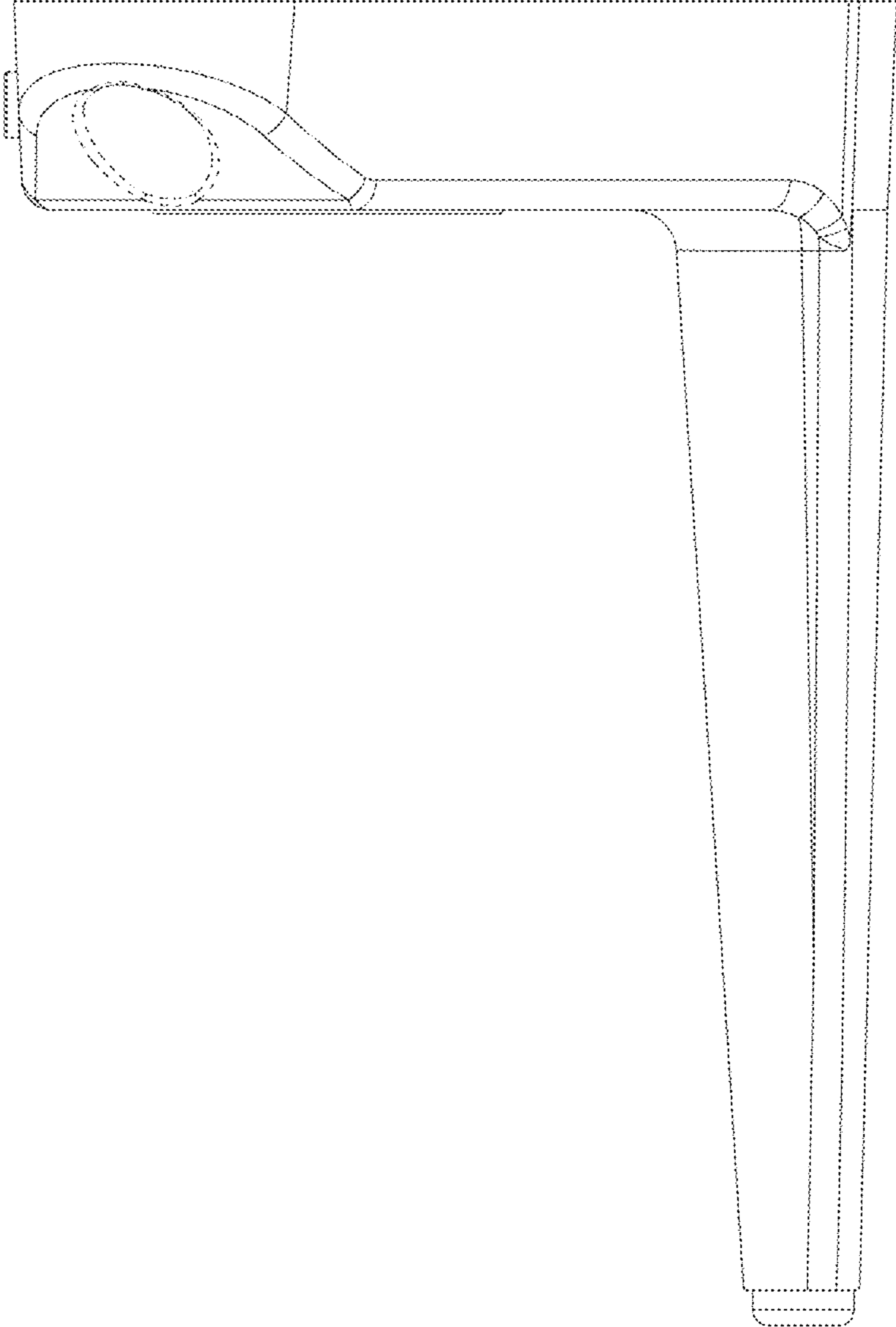


FIG. 3

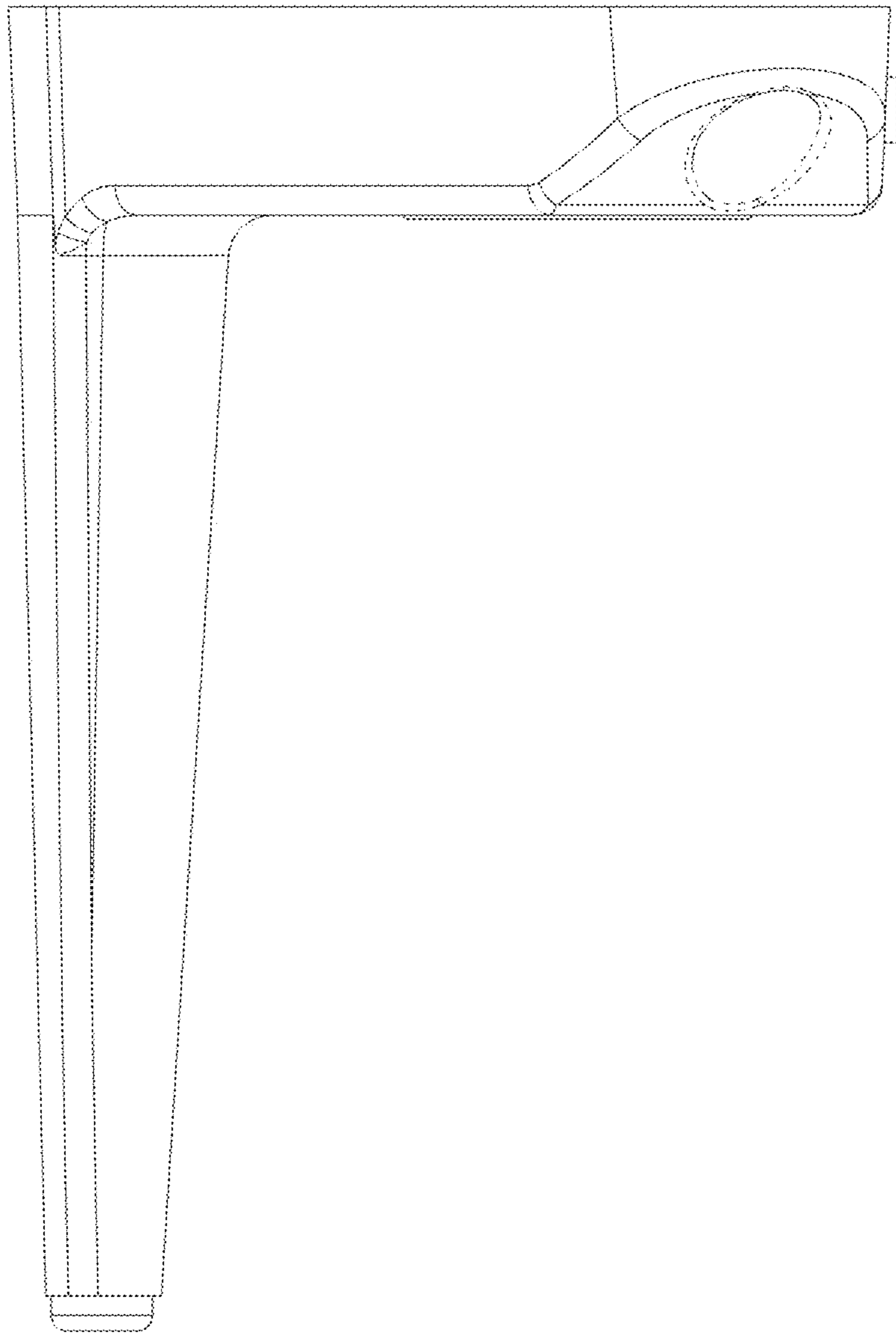


FIG. 4

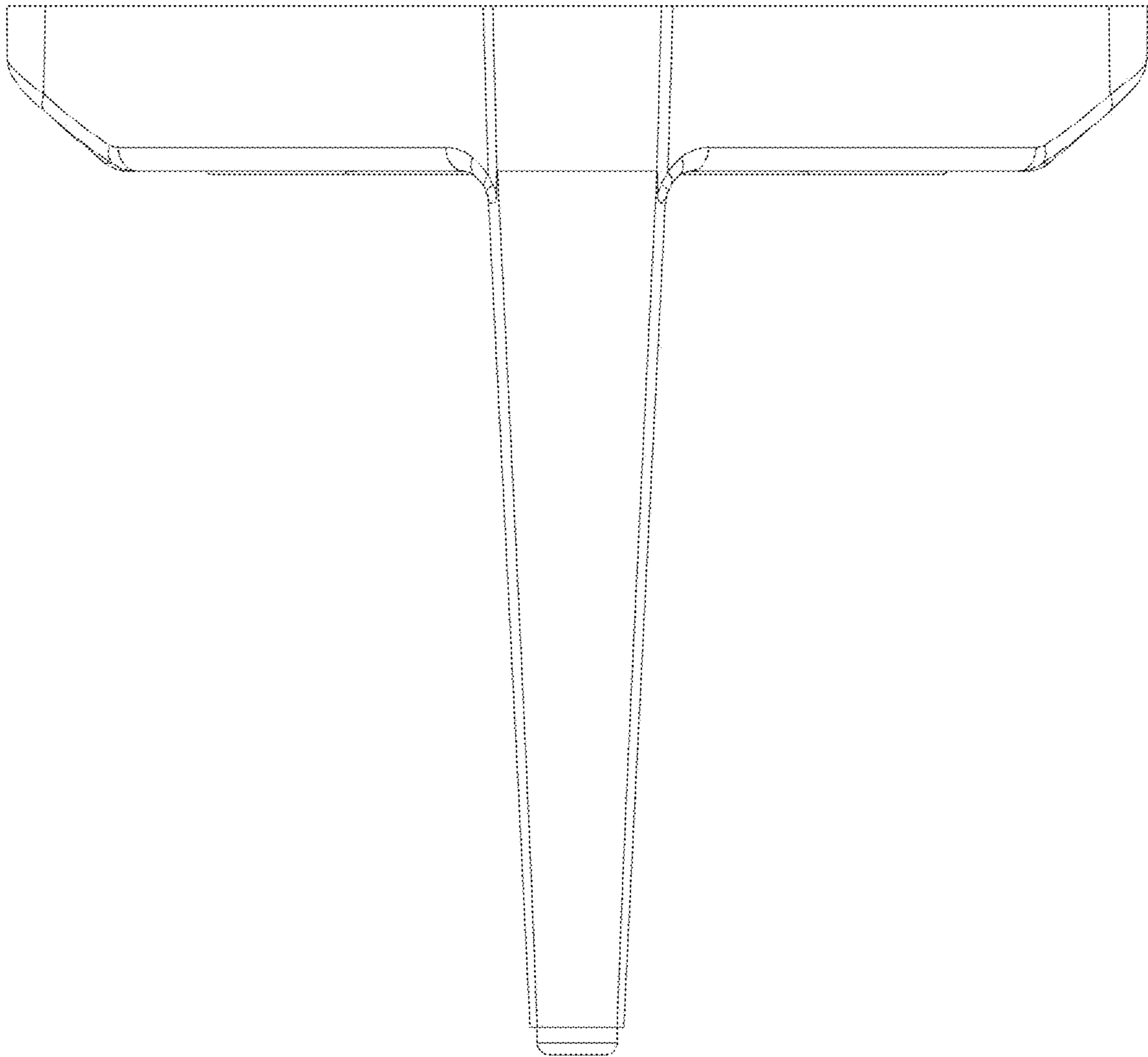


FIG. 5

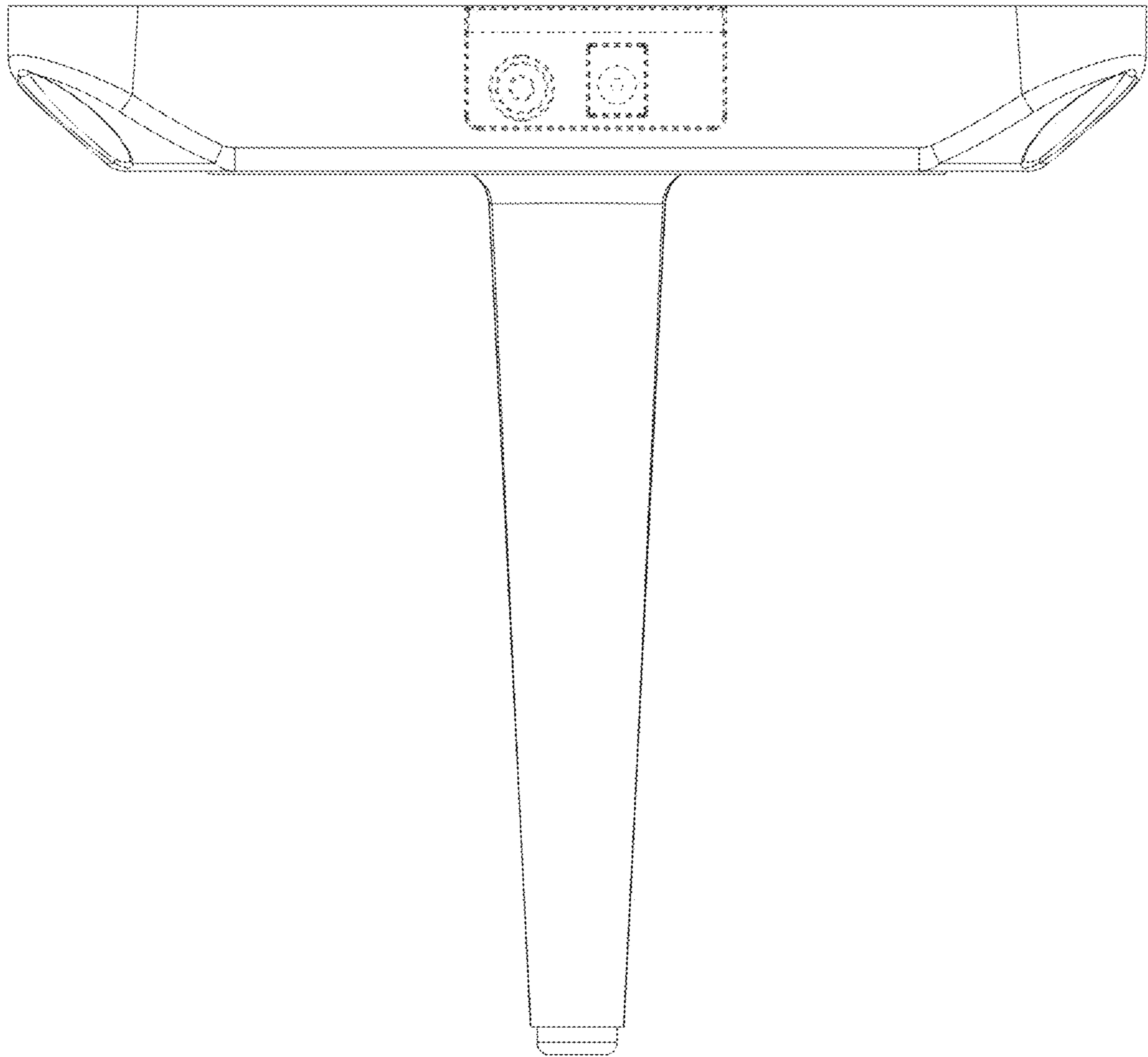


FIG. 6

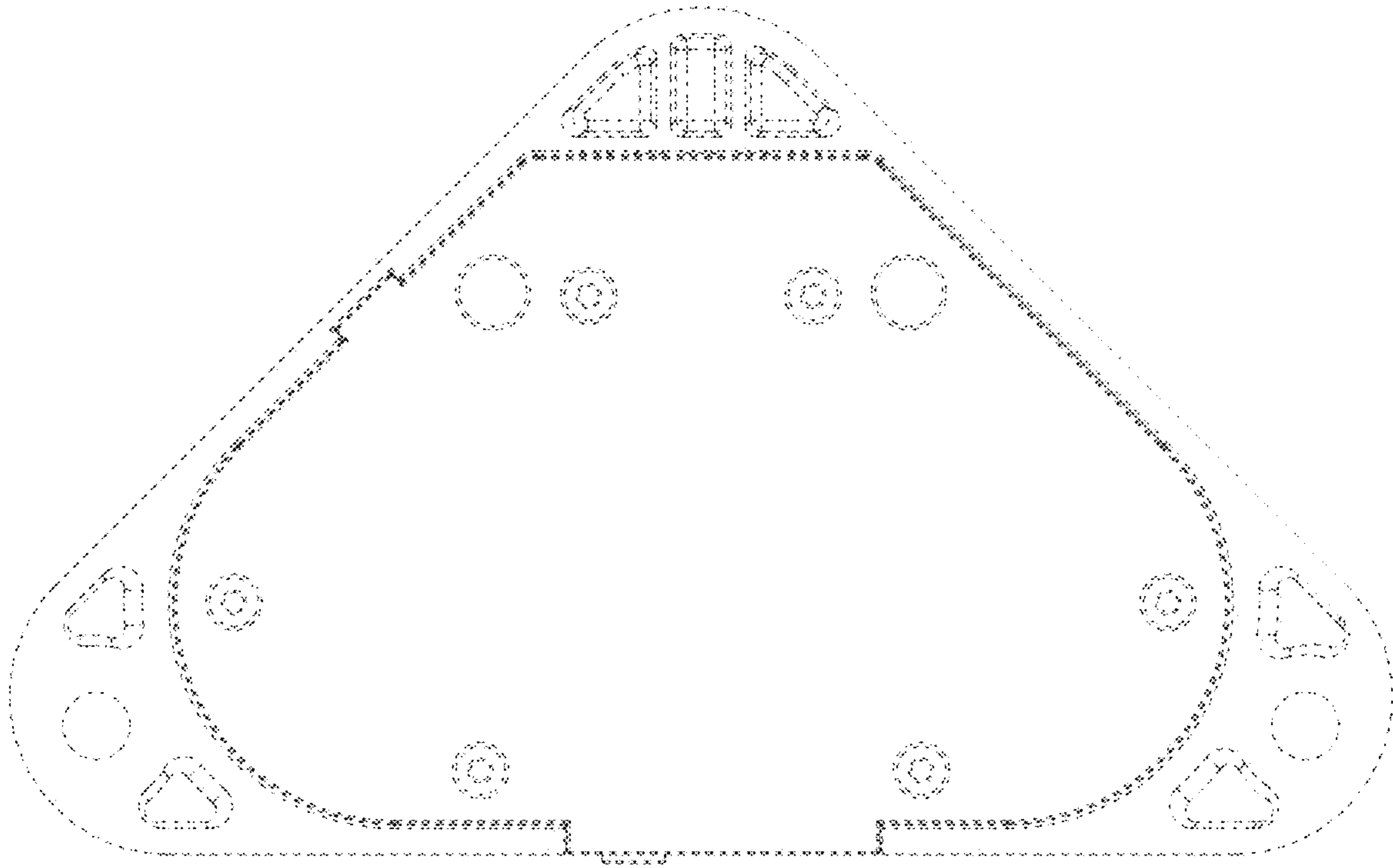


FIG. 7

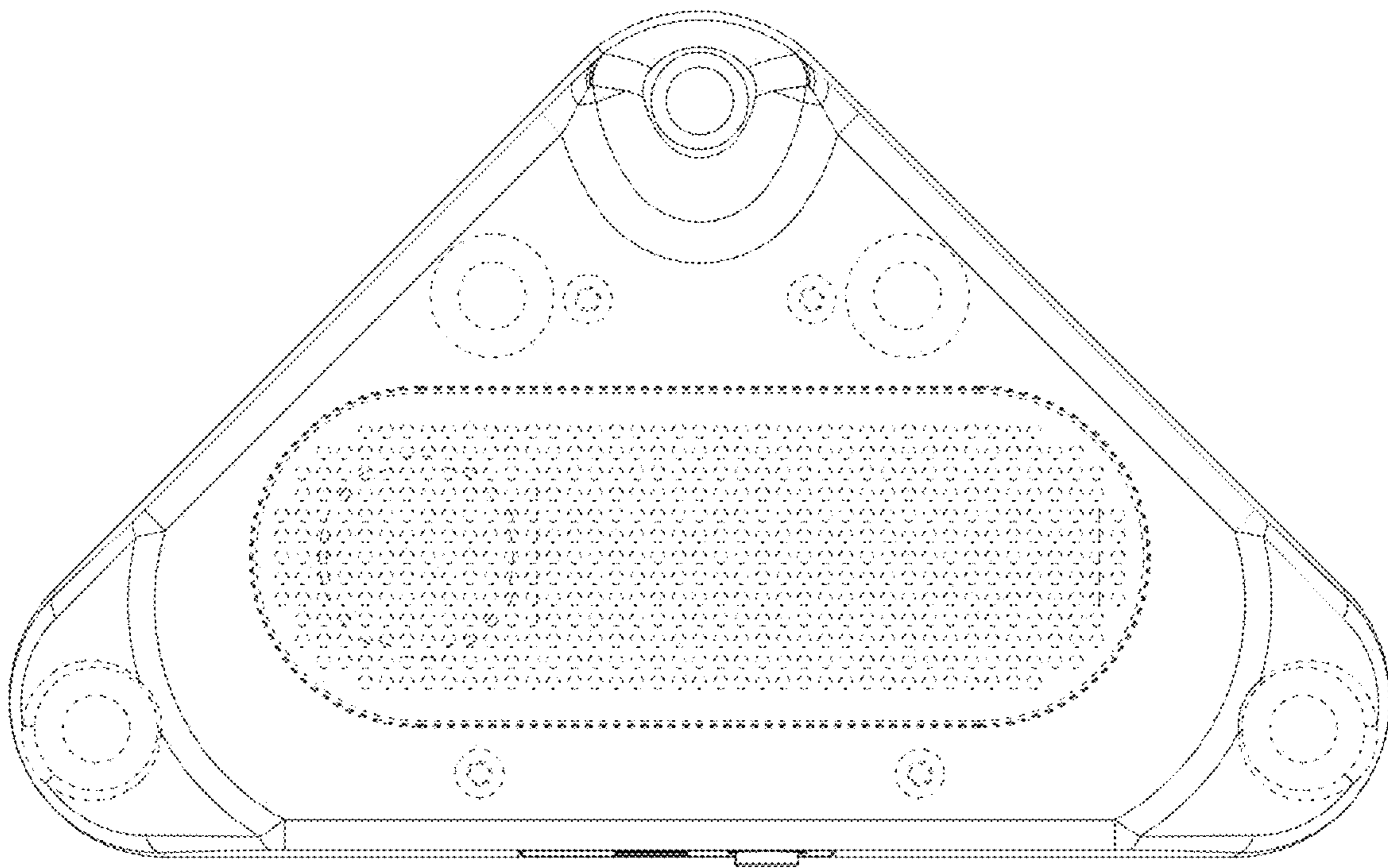


FIG. 8