



US00D906788S

(12) **United States Design Patent**
Ochi

(10) **Patent No.:** **US D906,788 S**

(45) **Date of Patent:** **** Jan. 5, 2021**

(54) **CONSTRUCTION FURRING STRIP SUPPORT**

(71) Applicant: **Nichiha Corporation**, Nagoya (JP)

(72) Inventor: **Yoshio Ochi**, Nagoya (JP)

(73) Assignee: **NICHIHA CORPORATION**, Nagoya (JP)

(**) Term: **15 Years**

(21) Appl. No.: **29/694,188**

(22) Filed: **Jun. 7, 2019**

(30) **Foreign Application Priority Data**

Dec. 7, 2018 (JP) 2018-026779

(51) **LOC (13) Cl.** **08-05**

(52) **U.S. Cl.**
USPC **D8/354**

(58) **Field of Classification Search**
USPC D8/349, 354, 381, 382, 403; D25/199
CPC E04B 1/38; E04B 1/40; E04B 1/58; E04B 1/64; E04B 2001/405; E04B 2001/5862; E04F 13/00; E04F 13/076; E04F 13/08; E04F 13/0803; E04F 13/0805; E04F 13/081; E04F 13/0825; E04F 13/0826; E04F 13/0846; E04F 13/34
See application file for complete search history.

(56) **References Cited**

U.S. PATENT DOCUMENTS

- 491,091 A * 2/1893 Drake F22B 37/202 D25/199
- 4,949,929 A * 8/1990 Kesselman F16B 12/46 248/220.1
- 4,960,258 A * 10/1990 Stocker G09F 1/10 248/206.5

- 5,687,538 A * 11/1997 Frobosilo E04B 5/10 52/100
- 5,755,416 A 5/1998 Leek
- 6,612,087 B2 9/2003 Digirolamo et al.
- 7,104,024 B1 9/2006 Digirolamo et al.
- D589,174 S * 3/2009 Drew, II D25/199
- 7,503,150 B1 3/2009 Digirolamo et al.
- D598,272 S * 8/2009 Tejszerski D8/349
- D599,193 S * 9/2009 Meyer D8/354
- D608,183 S * 1/2010 Meyer D8/354
- D608,468 S * 1/2010 Naccarato D25/125

(Continued)

FOREIGN PATENT DOCUMENTS

- JP 337098 S 10/1971
- JP 389671 S 12/1974

(Continued)

Primary Examiner — Llorellys Martinez

(74) *Attorney, Agent, or Firm* — Birch, Stewart, Kolasch & Birch, LLP

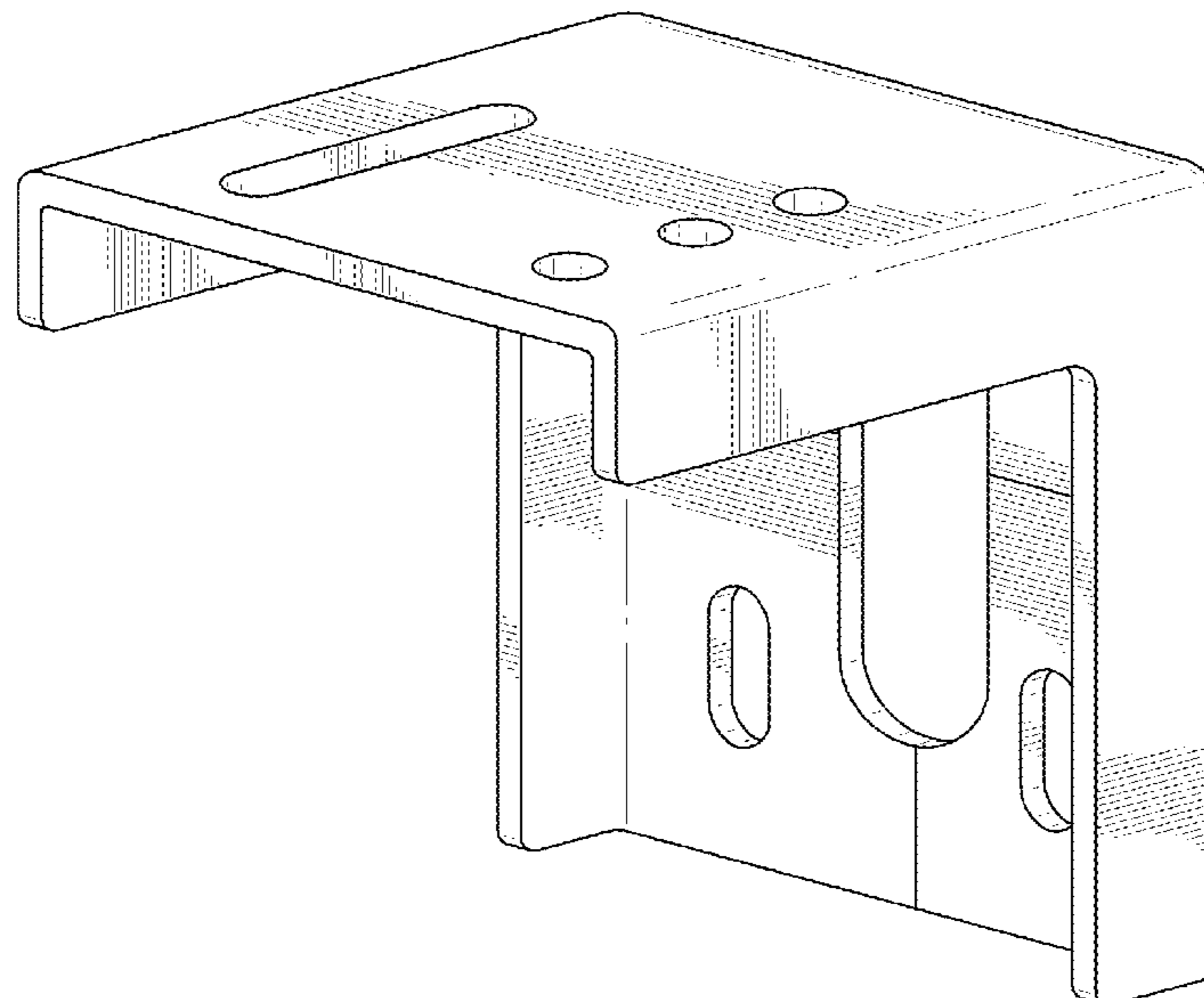
(57) **CLAIM**

The ornamental design for a construction furring strip support, as shown and described.

DESCRIPTION

FIG. 1 is a front view of a construction furring strip support showing my new design;
 FIG. 2 is a back view thereof;
 FIG. 3 is a top plan view thereof;
 FIG. 4 is a bottom plan view thereof;
 FIG. 5 is a right side view thereof;
 FIG. 6 is a left side view thereof;
 FIG. 7 is a perspective view thereof; and,
 FIG. 8 is another perspective view of the construction furring strip support of FIG. 1, shown in a configuration of use.
 The broken lines in FIG. 8 represent environmental subject matter only and form no part of the claimed design.

1 Claim, 8 Drawing Sheets



(56)

References Cited

U.S. PATENT DOCUMENTS

D608,469 S * 1/2010 Naccarato D25/125
 D618,992 S * 7/2010 Rix D8/394
 7,926,230 B2 4/2011 Yoshida et al.
 D637,898 S * 5/2011 Tedesco D8/394
 D644,503 S * 9/2011 Crane D8/382
 D652,951 S * 1/2012 Crane D25/61
 D667,289 S * 9/2012 Preda D8/354
 D667,718 S * 9/2012 Preda D8/354
 8,555,592 B2 10/2013 Daudet et al.
 D807,728 S * 1/2018 Johnson D8/354
 D811,624 S * 2/2018 McGowan D25/119
 D811,625 S * 2/2018 McGowan D25/119
 D814,905 S * 4/2018 Ralph D8/349
 D817,149 S * 5/2018 Ralph D8/349
 2008/0296451 A1 12/2008 Yoshida et al.
 2018/0266101 A1* 9/2018 Haba E04B 1/40

FOREIGN PATENT DOCUMENTS

JP 389672 S 12/1974
 JP 53-22972 Y 6/1978
 JP 484077 S 9/1978
 JP 483643 S 12/1978
 JP 6-22038 Y2 6/1994

JP 10-205100 A 8/1998
 JP 11-324157 A 11/1999
 JP 2000-336768 A 12/2000
 JP 2002-38631 A 2/2002
 JP 2002-339473 A 11/2002
 JP 1164014 S 1/2003
 JP 2004-150189 A 5/2004
 JP 1213966 S 8/2004
 JP 2005-23746 A 1/2005
 JP WO 2005/090706 A1 9/2005
 JP 2006-52582 A 2/2006
 JP 2007-211511 A 8/2007
 JP 3137086 U 11/2007
 JP 2007-321510 A 12/2007
 JP 1330668 S 5/2008
 JP 2009-35896 A 2/2009
 JP 1387698 S 5/2010
 JP 2010-255234 A 11/2010
 JP 1469363 S 5/2013
 JP 1478152 S 9/2013
 JP 2015-169041 A 9/2015
 JP 1568631 S 2/2017
 JP 1586221 S 9/2017
 JP 1598491 S 2/2018
 WO WO 96/31667 A1 10/1996
 WO WO 2005/090706 A1 9/2005
 WO WO 2018/235760 A1 12/2018

* cited by examiner

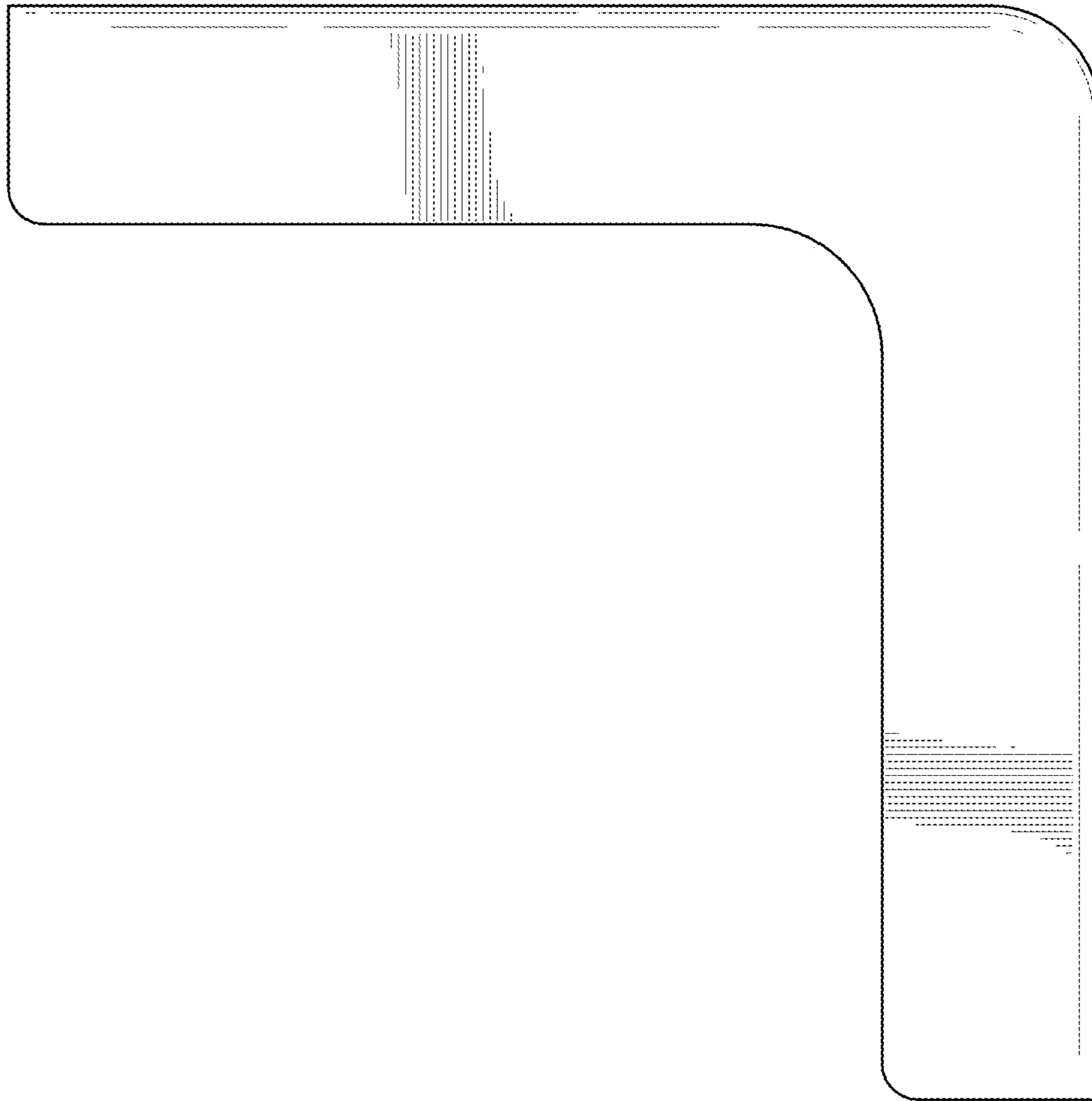


FIG.1

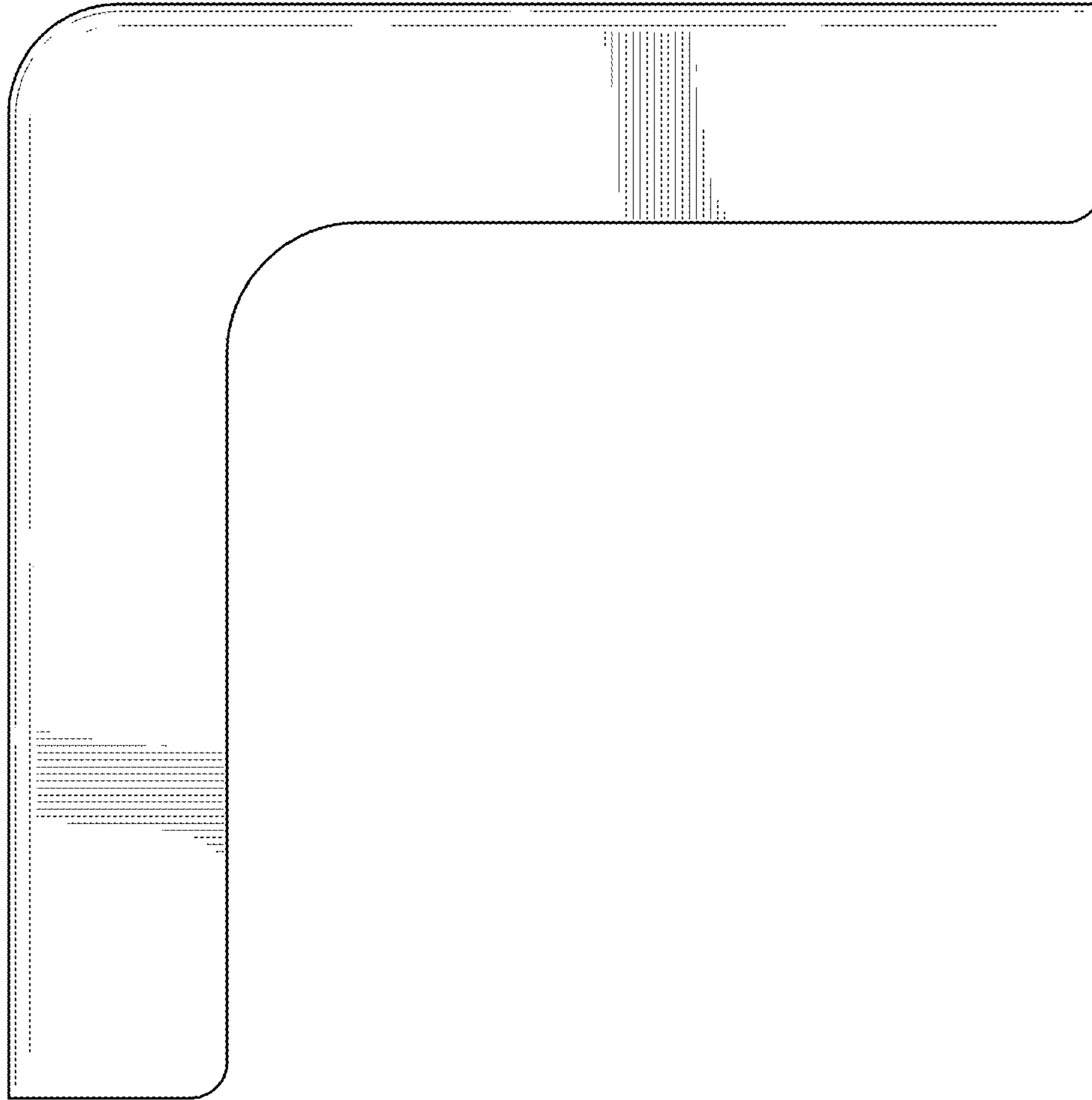


FIG.2

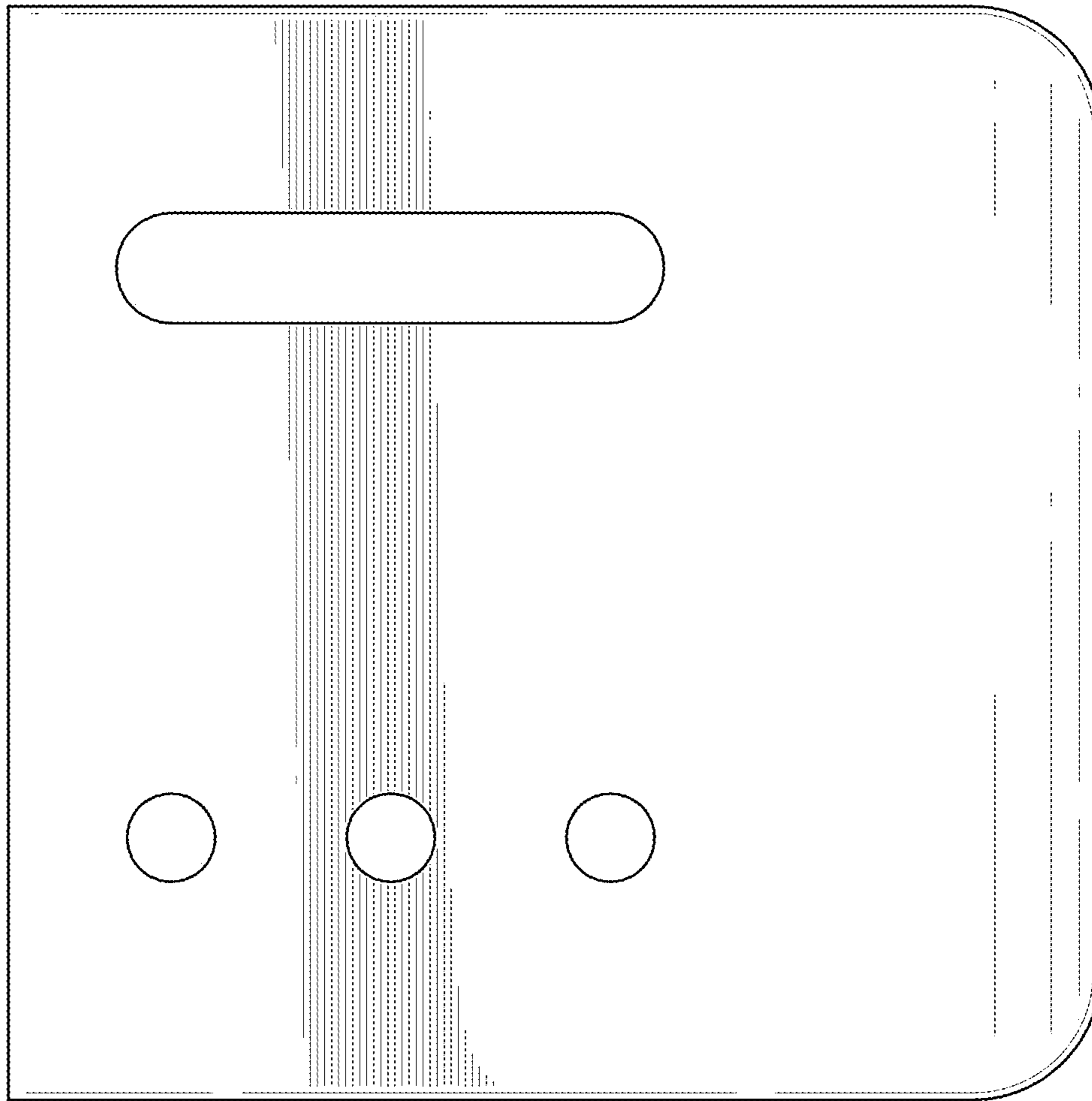


FIG.3

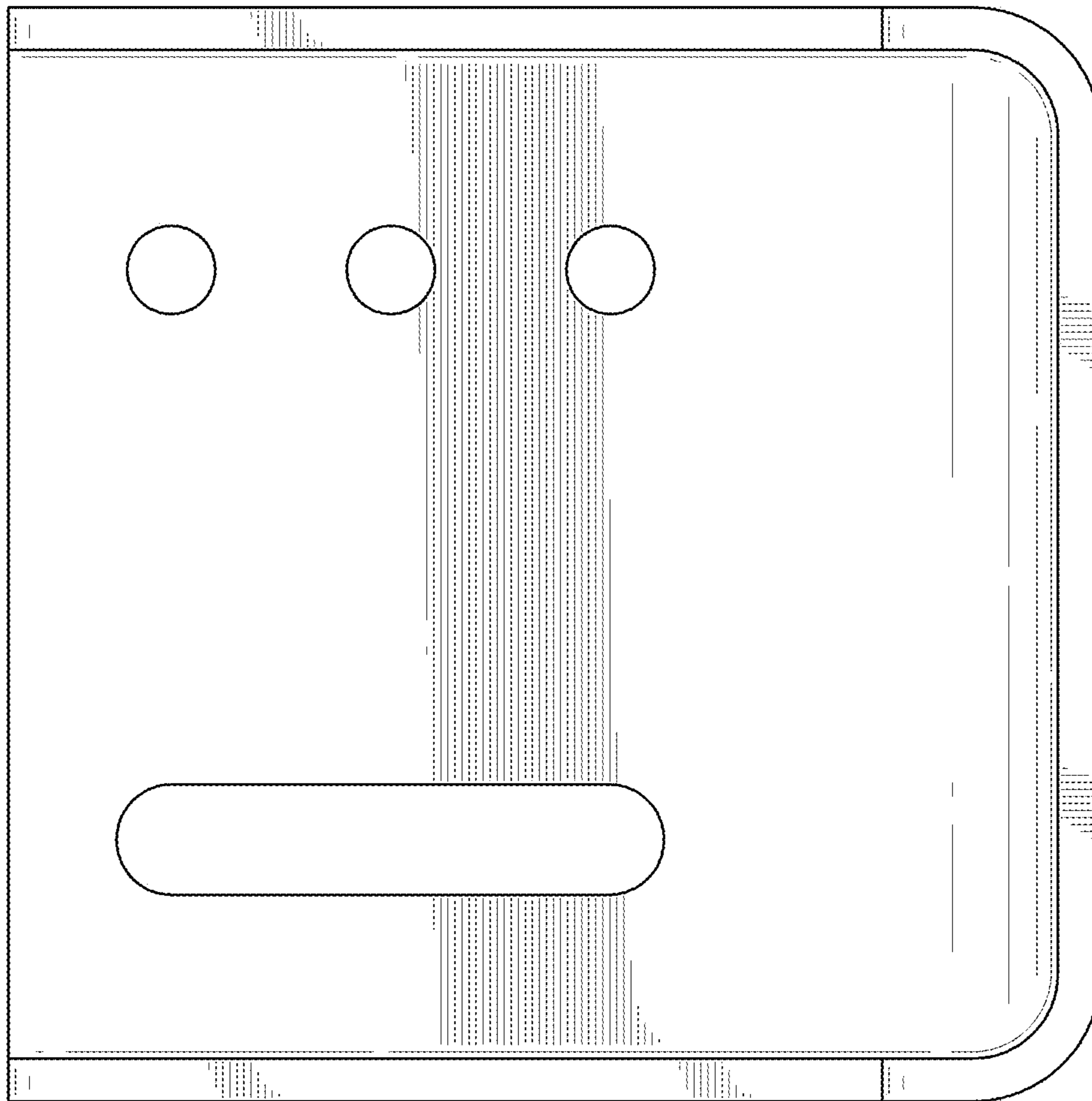


FIG.4

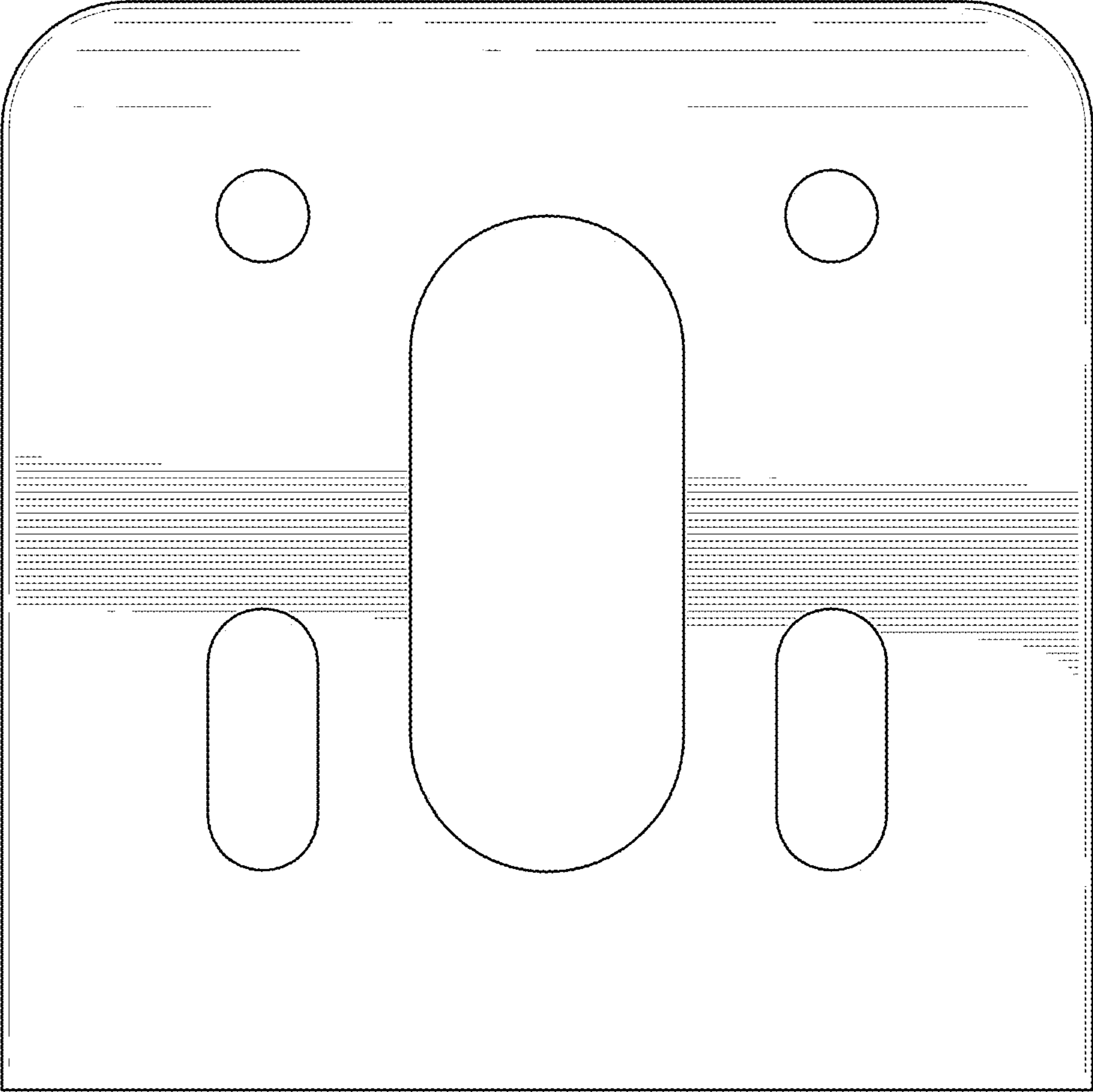


FIG.5

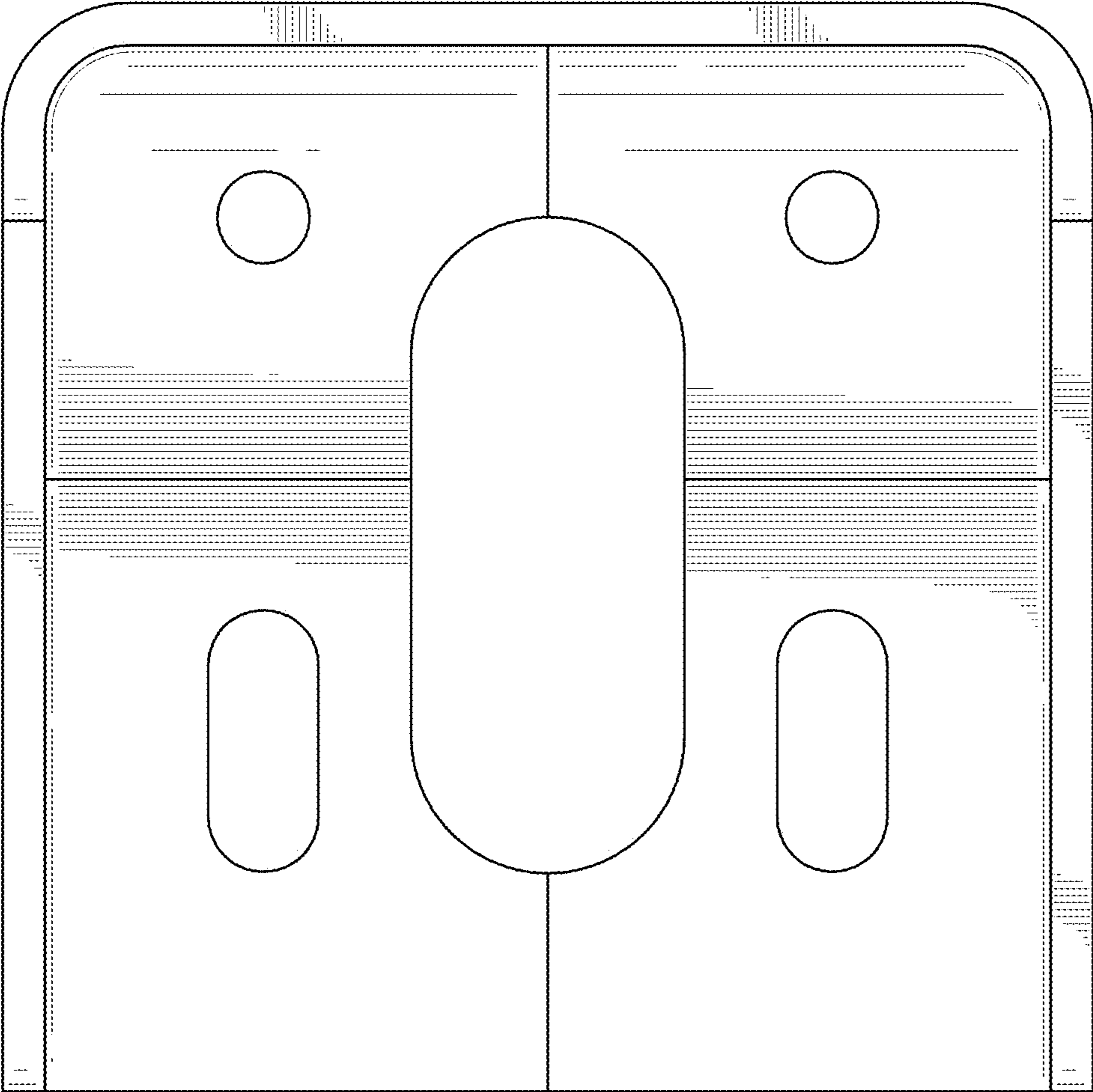


FIG.6

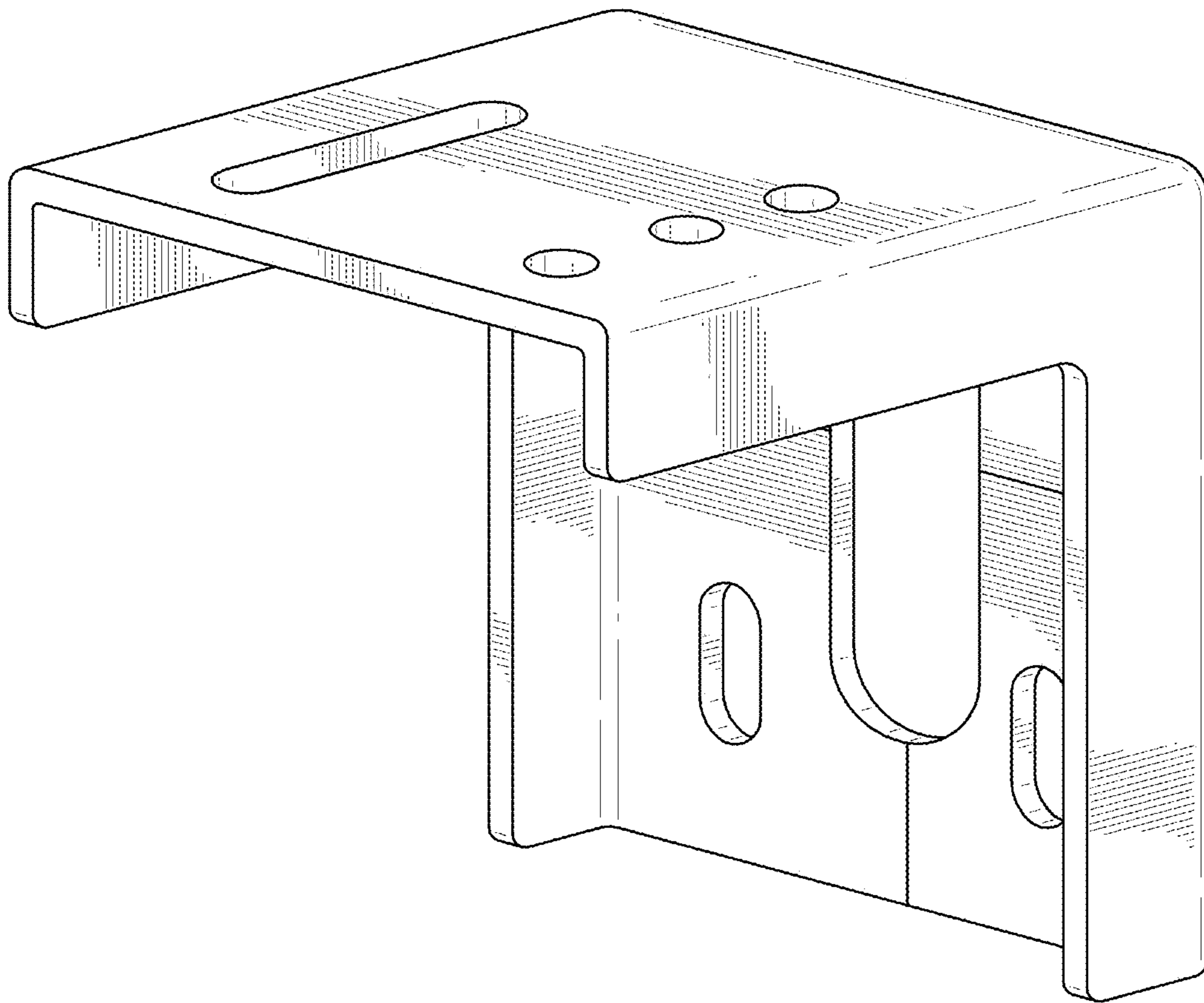


FIG.7

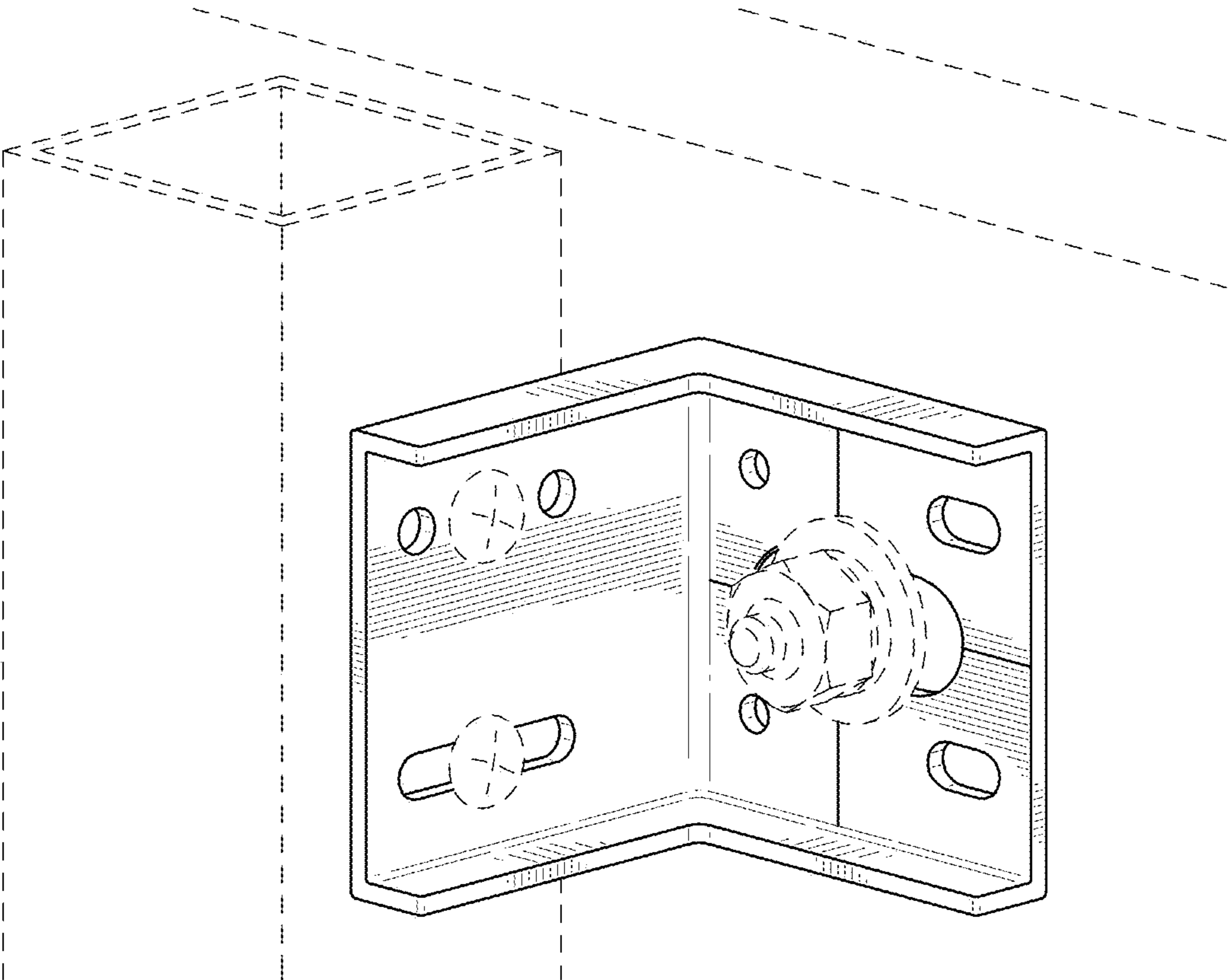


FIG.8