



US00D906786S

(12) **United States Design Patent**
Janser et al.

(10) **Patent No.:** **US D906,786 S**
(45) **Date of Patent:** **** Jan. 5, 2021**

(54) **DRAWER PART**

(71) Applicant: **Julius Blum GmbH**, Hoechst (AT)
(72) Inventors: **Pascal Janser**, Hoechst (AT); **Mathias Stegmüller**, Bregenz (AT); **Emanuel Netzer**, Hoechst (AT); **Elvis Music**, Lindau (DE); **Marc Meusbürger**, Egg (AT)
(73) Assignee: **JULIUS BLUM GMBH**, Hoechst (AT)

(**) Term: **15 Years**

(21) Appl. No.: **29/654,003**

(22) Filed: **Jun. 20, 2018**

(30) **Foreign Application Priority Data**

Dec. 22, 2017 (EM) 4562304-0038

(51) **LOC (13) Cl.** **08-08**

(52) **U.S. Cl.**
USPC **D8/349**

(58) **Field of Classification Search**
USPC D8/323, 330, 343, 349, 354, 380, 381, D8/400; D6/705
CPC A47B 88/40; A47B 88/423; A47B 1/10; A47B 2210/0016; A47B 292/307; A47B 88/463; A47B 88/477; A47B 88/956; Y10T 292/307
See application file for complete search history.

(56) **References Cited**

U.S. PATENT DOCUMENTS

5,904,412 A * 5/1999 Lammens A47B 88/43 312/334.1
8,109,582 B2 * 2/2012 Dubach E05B 65/46 312/319.1

D729,611 S * 5/2015 Schmidt D8/349
2012/0038255 A1 * 2/2012 Netzer E05B 65/46 312/319.1
2012/0145845 A1 * 6/2012 Hightower A47B 88/423 248/201
2013/0016928 A1 * 1/2013 Chen A47B 88/493 384/35
2015/0097473 A1 * 4/2015 Brunnmayr A47B 88/47 312/319.1
2017/0079427 A1 * 3/2017 Chen A47B 88/423
2017/0112280 A1 * 4/2017 Fischer A47B 88/467
2018/0000242 A1 * 1/2018 Hoffmann A47B 88/95
2018/0228287 A1 * 8/2018 Su A47B 88/956
2019/0216219 A1 * 7/2019 Chen A47B 88/49

* cited by examiner

Primary Examiner — Lauren R Calve

(74) *Attorney, Agent, or Firm* — Wenderoth, Lind & Ponack, L.L.P.

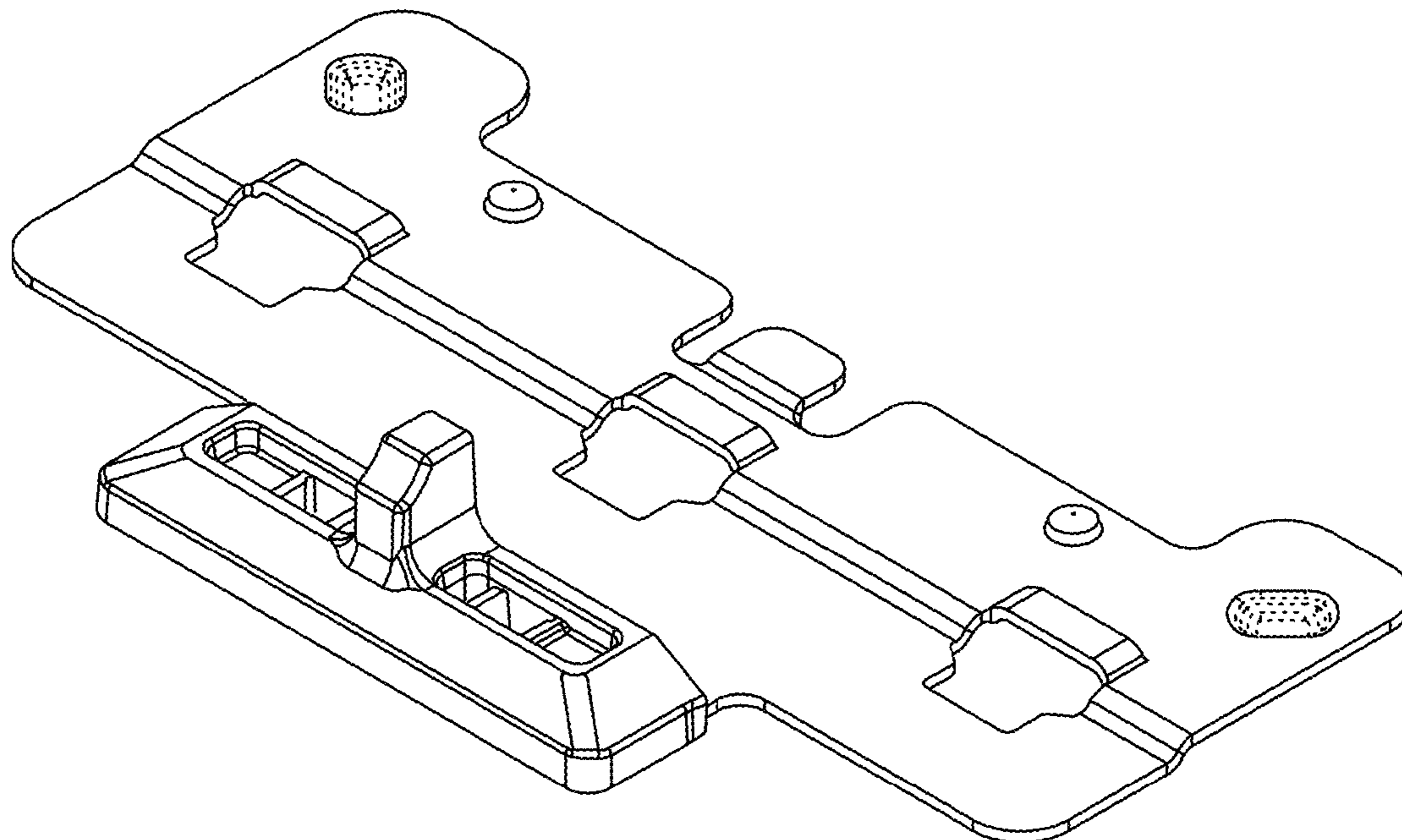
(57) **CLAIM**

The ornamental design for a drawer part, as shown and described.

DESCRIPTION

FIG. 1 is a top perspective view of a drawer part; FIG. 2 is a top view thereof; FIG. 3 is a front view thereof; FIG. 4 is a right side view thereof; FIG. 5 is a left side view thereof; FIG. 6 is a rear view thereof; and, FIG. 7 is a bottom view thereof. It is noted that the portions of the drawings indicated with broken lines illustrate environmental structure and form no part of the claimed design.

1 Claim, 7 Drawing Sheets



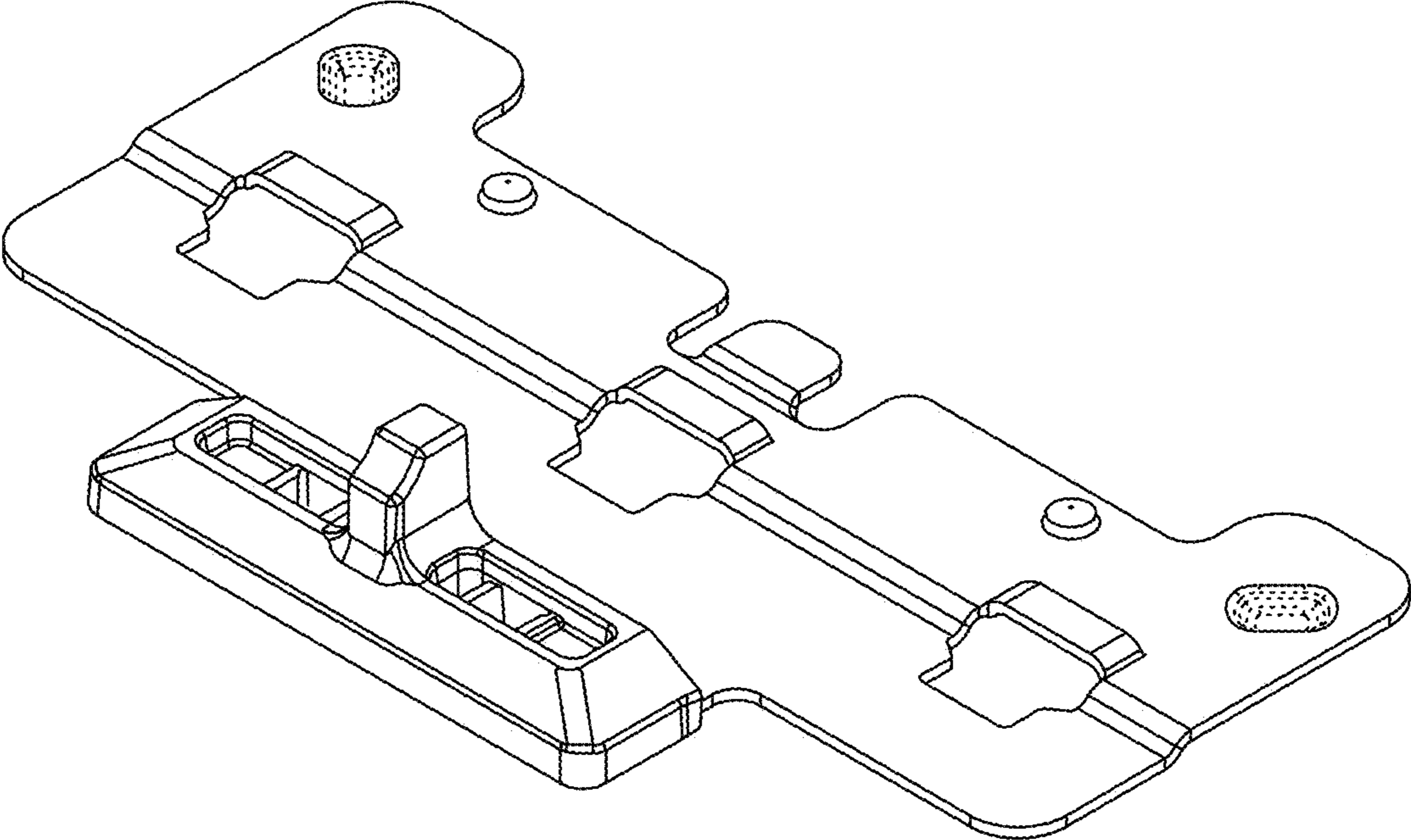


Fig. 1

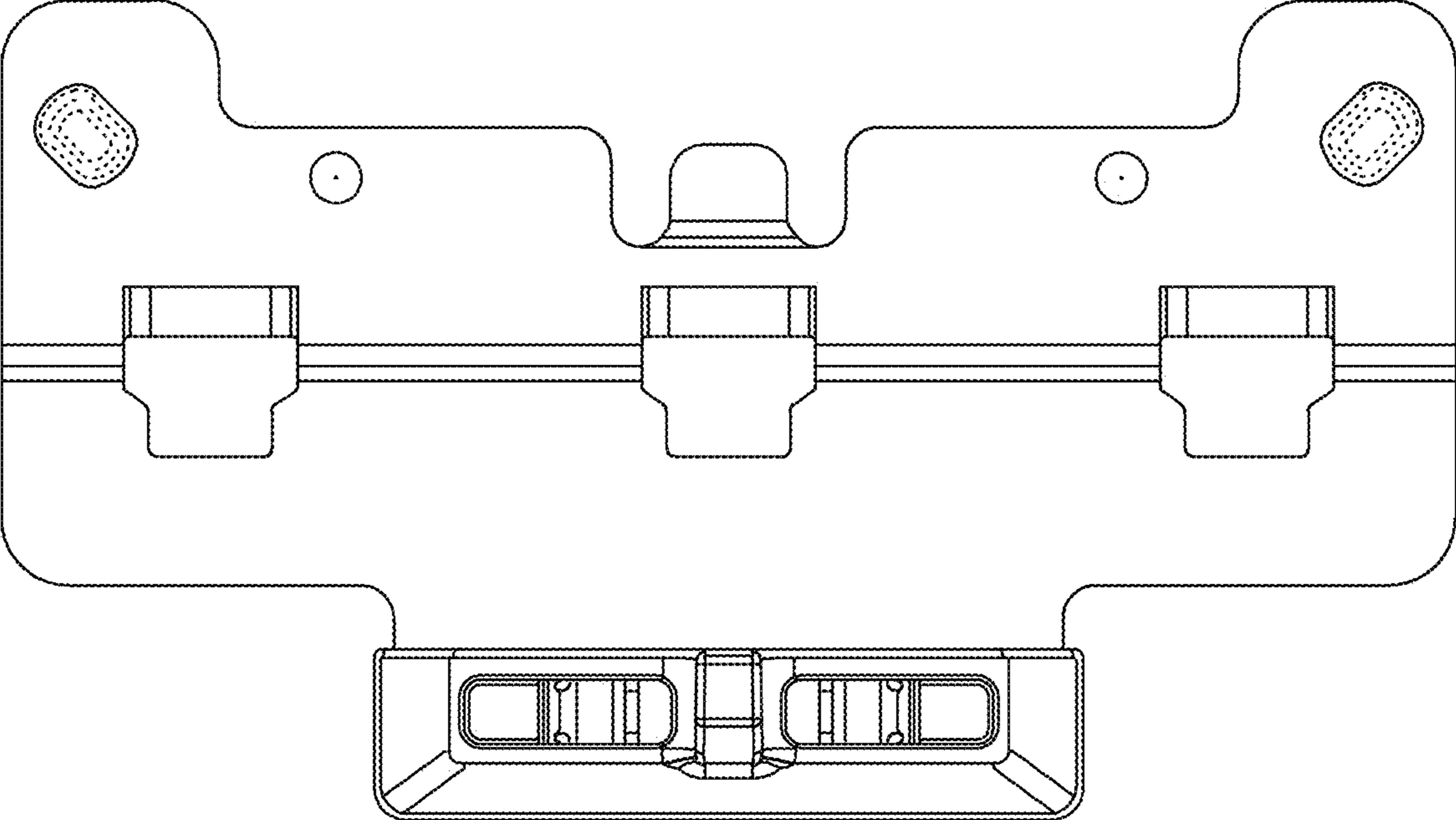


Fig. 2

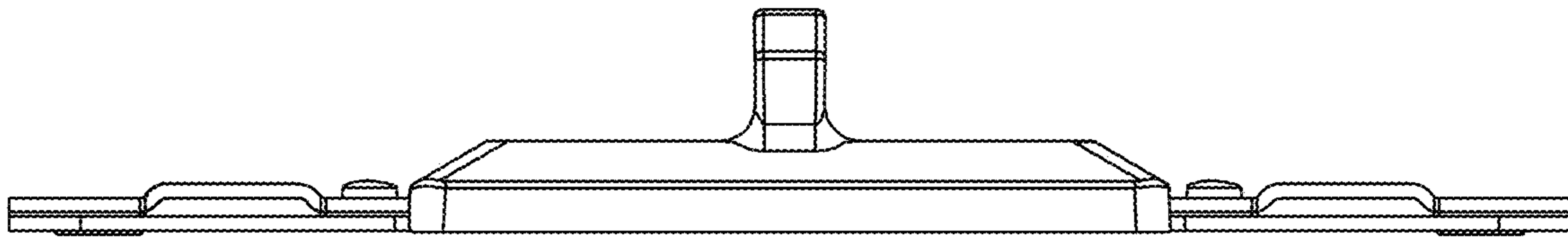


Fig. 3

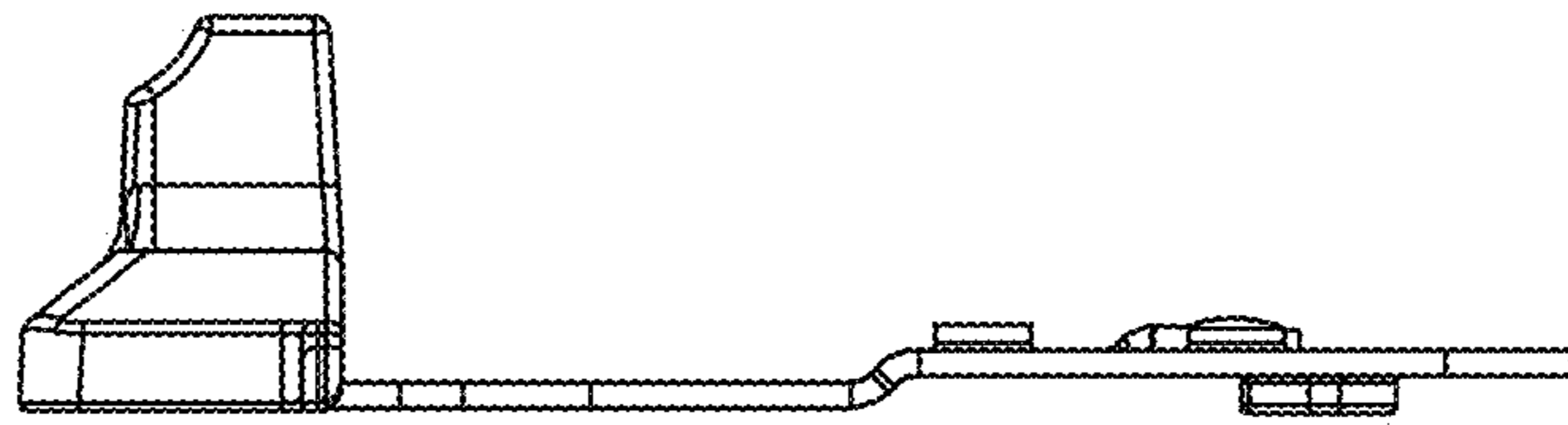


Fig. 4

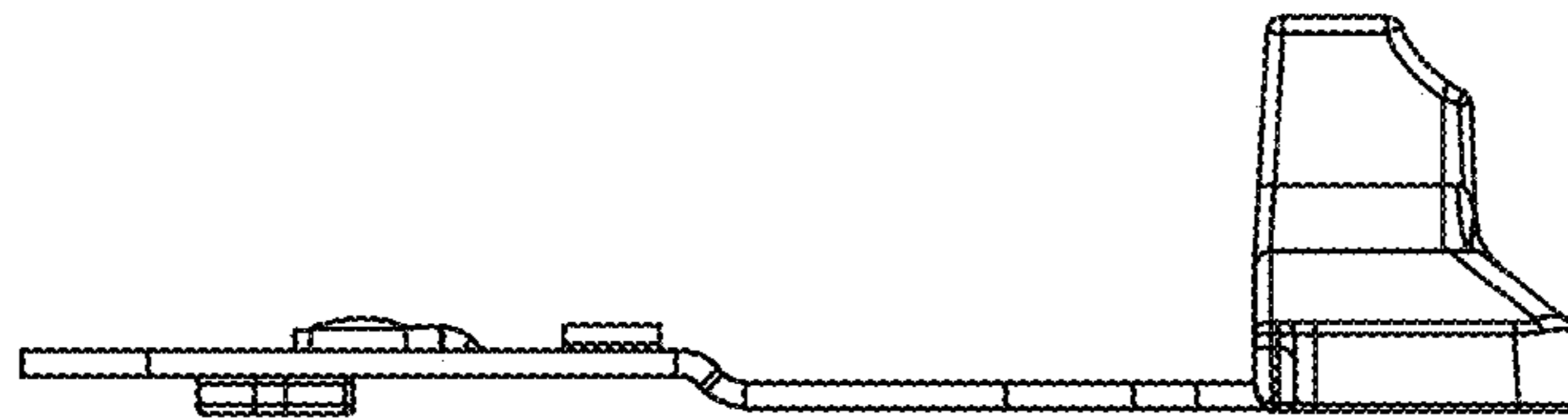


Fig. 5

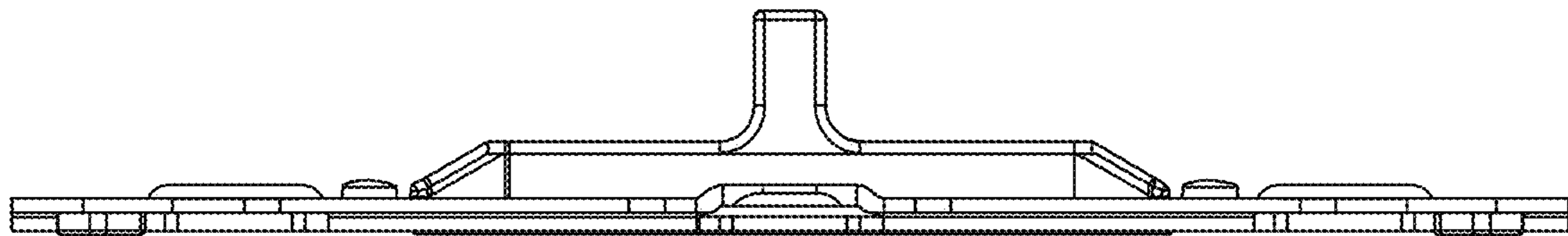


Fig. 6

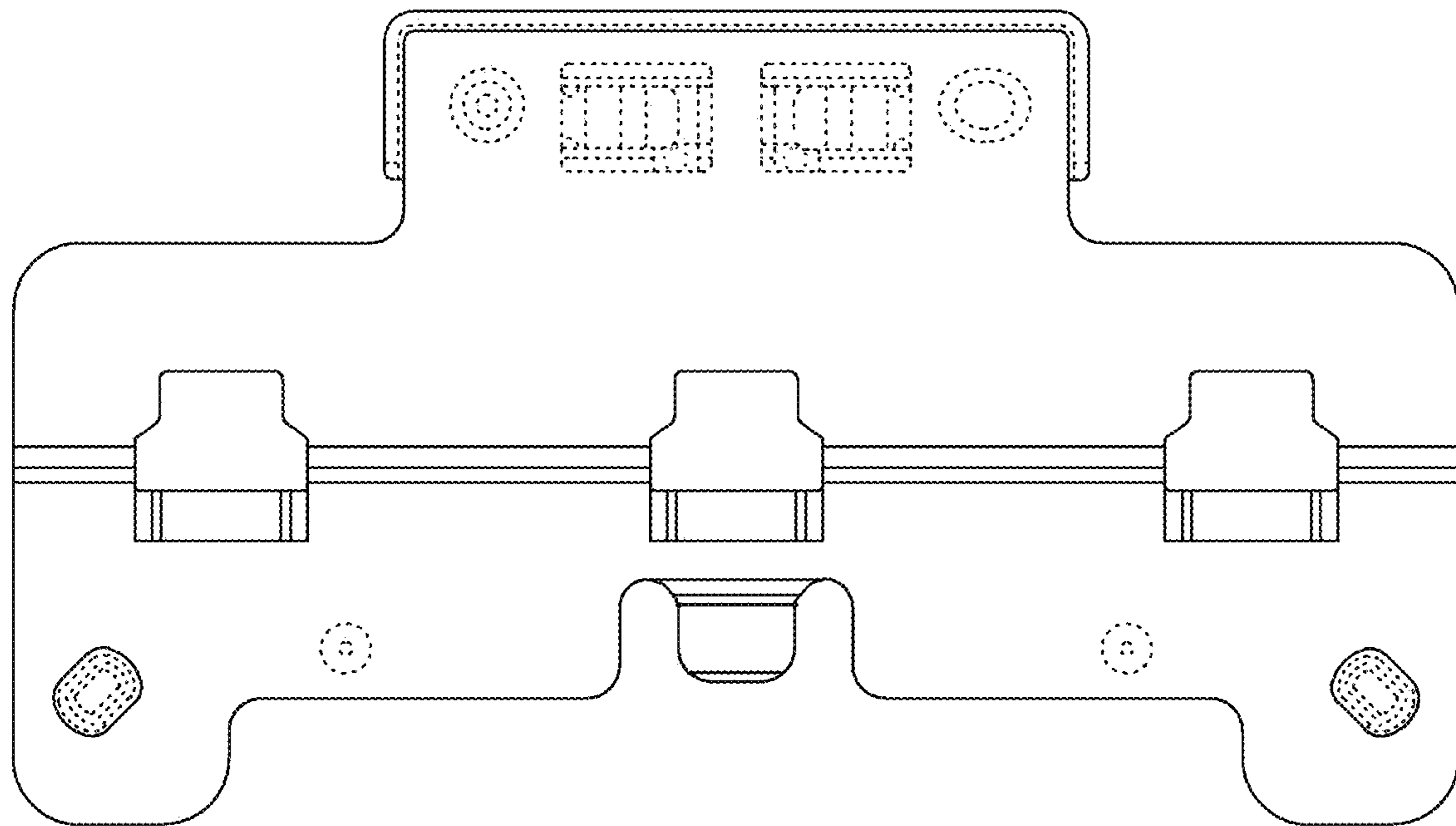


Fig. 7