

US00D906782S

(12) **United States Design Patent**
Brinson et al.

(10) **Patent No.:** **US D906,782 S**

(45) **Date of Patent:** **** Jan. 5, 2021**

- (54) **SCREWDRIVER HANDLE**
- (71) Applicant: **Southwire Company, LLC**, Carrollton, GA (US)
- (72) Inventors: **Tayler Mykle Brinson**, Mableton, GA (US); **Nicolas Robert Saeger**, Carrollton, GA (US)
- (73) Assignee: **Southwire Company, LLC**, Carrollton, GA (US)
- (**) Term: **15 Years**
- (21) Appl. No.: **29/671,379**
- (22) Filed: **Nov. 27, 2018**
- (51) **LOC (13) Cl.** **08-04**
- (52) **U.S. Cl.**
USPC **D8/83**
- (58) **Field of Classification Search**
USPC ... D8/14, 51, 82, 83, 84, 85, 105, 107, 300;
D32/49, 52; D7/395
CPC B25G 1/005; B25G 1/046; B25G 1/085;
B25B 15/02; B25B 15/04
See application file for complete search history.

- D400,420 S 11/1998 Shiao
- D401,491 S 11/1998 Shiao
- D408,252 S 4/1999 Holland-Letz
- D411,780 S 7/1999 Muller
- D414,395 S 9/1999 Panfili
- D416,776 S 11/1999 Liu
- D419,846 S 2/2000 Hasan
- D422,475 S 4/2000 Su
- D424,904 S 5/2000 Hasan
- D427,044 S 6/2000 White et al.
- D441,269 S 5/2001 Tsai
- D444,692 S 7/2001 Marquardt
- D446,104 S 8/2001 Chen
- D449,505 S 10/2001 Glass et al.
- D453,674 S 2/2002 Hsiao
- D454,046 S 3/2002 Hsieh
- D455,944 S 4/2002 Chen

(Continued)

Primary Examiner — Philip S Hyder

(74) *Attorney, Agent, or Firm* — Merchant & Gould P.C.

(57) **CLAIM**

The ornamental design for a screwdriver handle, as shown and described.

DESCRIPTION

FIG. 1 is a front side perspective view of a screwdriver handle embodying the new design.

FIG. 2 is a bottom view of the screwdriver handle shown in FIG. 1.

FIG. 3 is a top view of the screwdriver handle shown in FIG. 1.

FIG. 4 is a front side view of the screwdriver handle shown in FIG. 1, the front side being a mirror image of the back side; and,

FIG. 5 is a right side view of the screwdriver handle shown in FIG. 1, the right side being a mirror image of the left side.

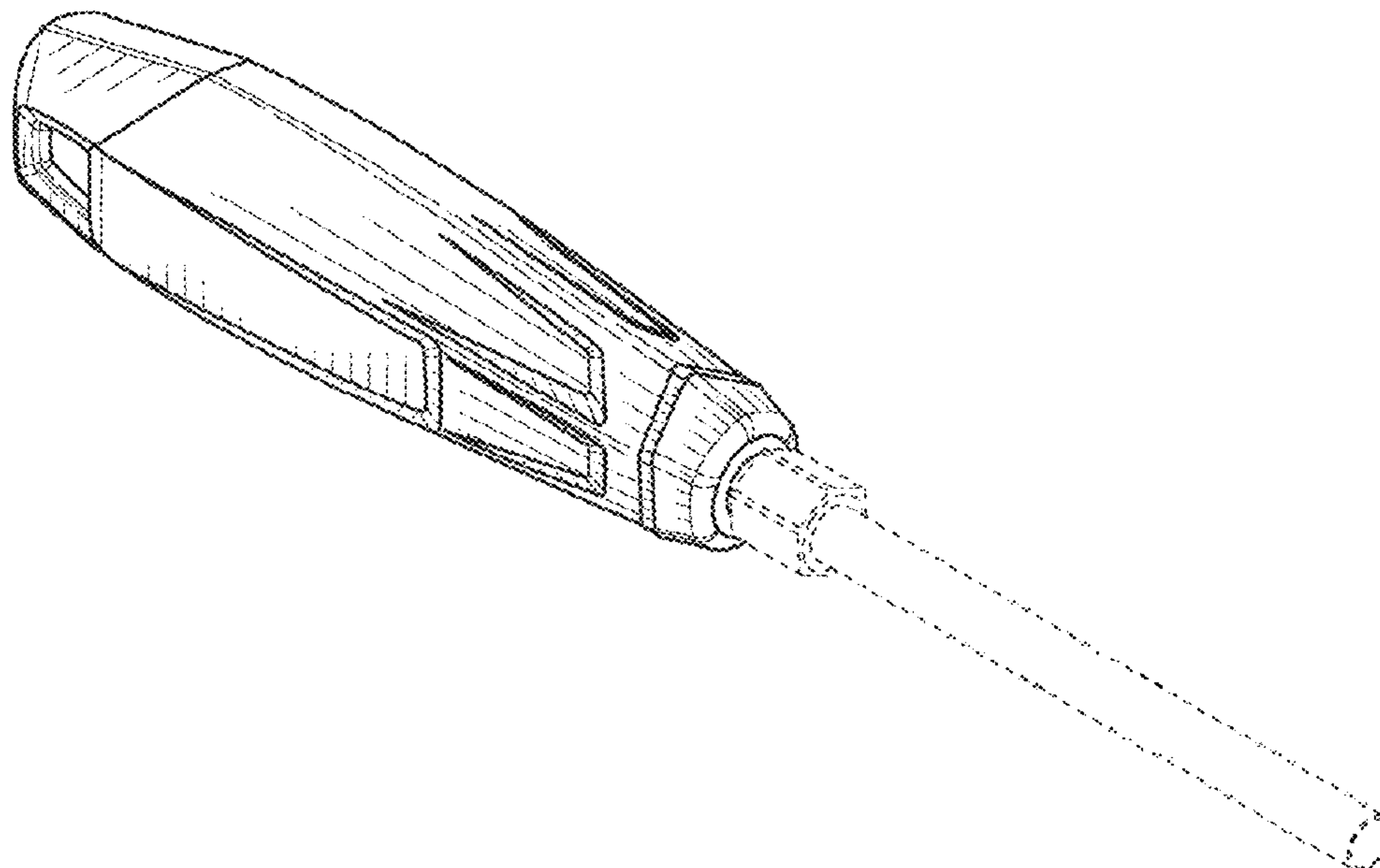
The broken lines are included for the purpose of illustrating an environment, and form no part of the claimed design.

1 Claim, 2 Drawing Sheets

(56) **References Cited**

U.S. PATENT DOCUMENTS

- D244,747 S 6/1977 Solf
- D256,547 S 8/1980 Holland-Letz
- D256,662 S 9/1980 Holland-Letz
- D271,658 S 12/1983 Legerius et al.
- D282,716 S 2/1986 Heinis et al.
- D302,787 S 8/1989 Wilson et al.
- D304,993 S 12/1989 Sunila
- D331,692 S 12/1992 Rieser
- D346,943 S * 5/1994 Haberstroh D8/83
- D392,151 S 3/1998 Munari
- D398,828 S 9/1998 Shiao



(56)

References Cited

U.S. PATENT DOCUMENTS

D460,676 S	7/2002	Lin	D572,105 S	7/2008	Brockman et al.
D463,244 S	9/2002	Chen	D572,559 S	7/2008	Demers et al.
D465,397 S	11/2002	Chen	D574,208 S	8/2008	Lin
D468,182 S	1/2003	Thompson	D577,956 S	10/2008	Siegel et al.
D468,989 S	1/2003	Gringer et al.	D585,261 S *	1/2009	Shih D8/83
D479,112 S	9/2003	Wu	D603,683 S	11/2009	Hu
D482,588 S	11/2003	Lai	D607,300 S	1/2010	Lin
D483,242 S	12/2003	Heathcock et al.	D607,708 S	1/2010	Himbert et al.
D483,638 S	12/2003	Jimenez	D617,170 S	6/2010	Lai
D485,483 S	1/2004	Heathcock et al.	D617,171 S	6/2010	Chang
D487,690 S	3/2004	Hu	D642,887 S	8/2011	Good
6,904,836 B1 *	6/2005	Andrei B25B 15/02 81/444	D645,717 S	9/2011	Ou
D516,893 S	3/2006	Kuo	D671,813 S	12/2012	Lin
D517,394 S	3/2006	Chen	D691,014 S	10/2013	Hyma et al.
D517,896 S	3/2006	Hsu	D691,015 S	10/2013	Hyma et al.
D525,850 S	8/2006	Huang	D691,867 S	10/2013	Su
D531,006 S	10/2006	Tsai	D733,517 S	7/2015	Constantine
D531,480 S	11/2006	Tsai	D743,770 S	11/2015	Hsieh
D532,278 S	11/2006	Shih	D767,968 S	10/2016	Jenkins
D534,782 S	1/2007	Hu	D783,374 S	4/2017	Jenkins
D551,530 S	9/2007	Hirsch	D819,417 S	6/2018	Graykowski
D557,102 S	12/2007	Perez et al.	D819,423 S	6/2018	Anderson
D562,103 S	2/2008	Lin	D859,119 S *	9/2019	Hyma D8/83
D569,215 S	5/2008	Chiu	D861,454 S *	10/2019	Chang D8/83
D570,664 S	6/2008	Tang	2010/0005931 A1 *	1/2010	Lai B25B 15/04 81/63.1
			2014/0310882 A1 *	10/2014	Reynolds B25G 1/085 7/158
			2018/0333835 A1 *	11/2018	Hyma B25B 15/02

* cited by examiner

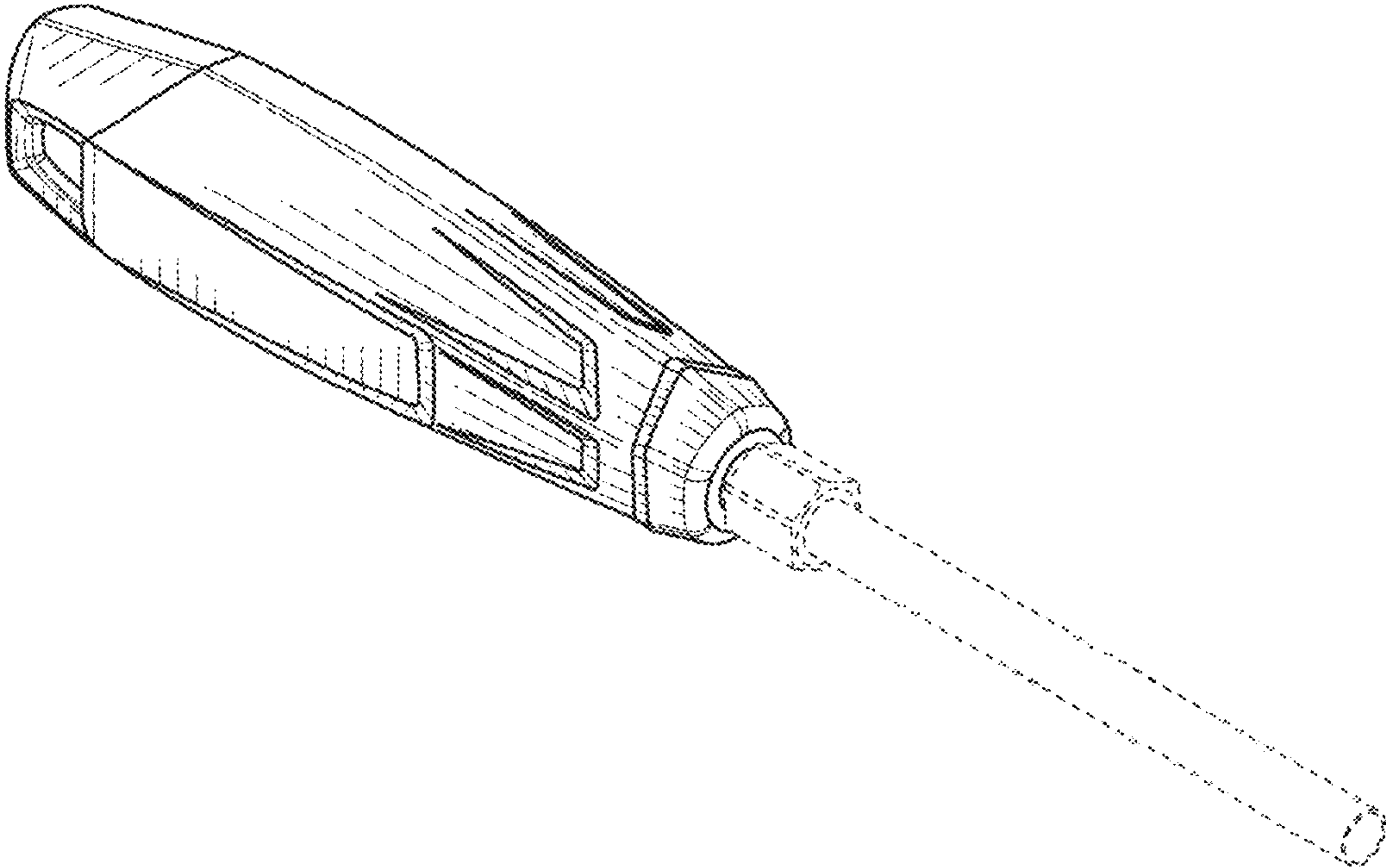


FIG. 1

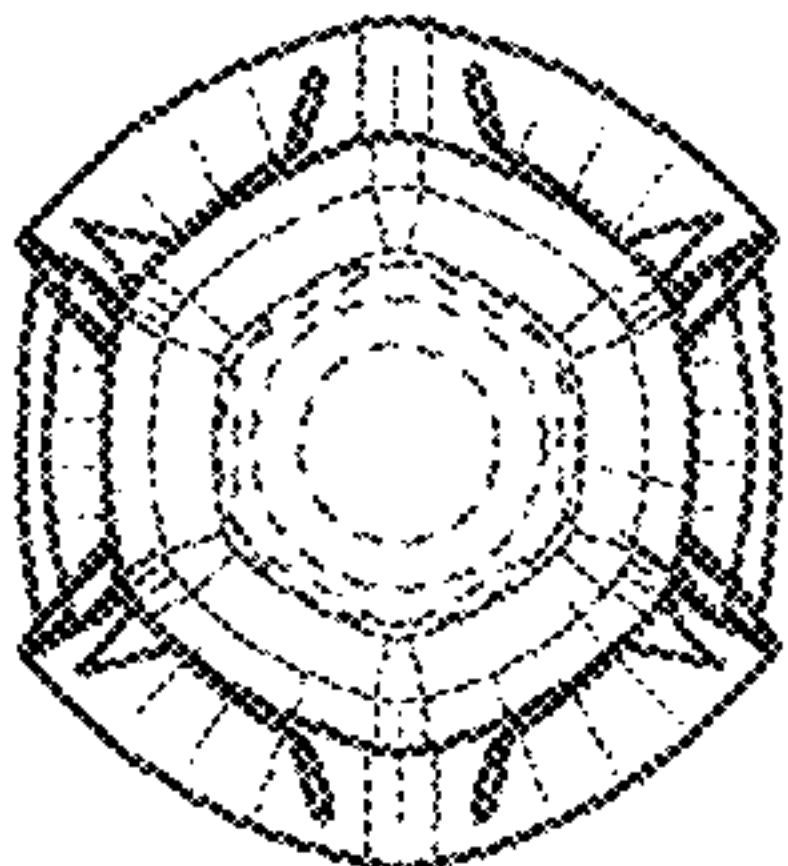


FIG. 2

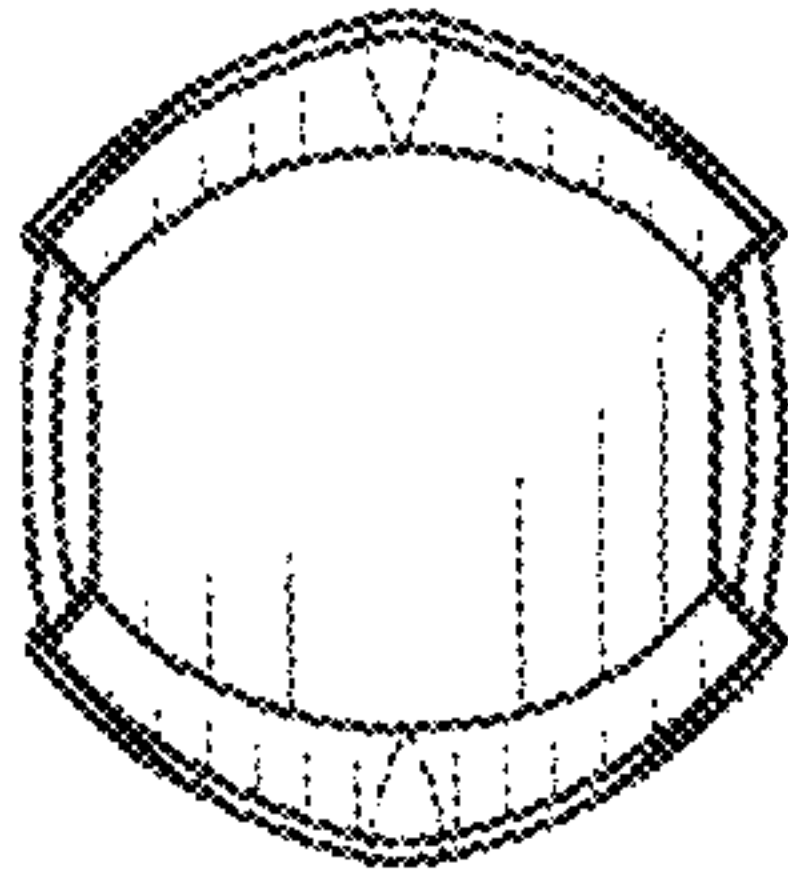


FIG. 3

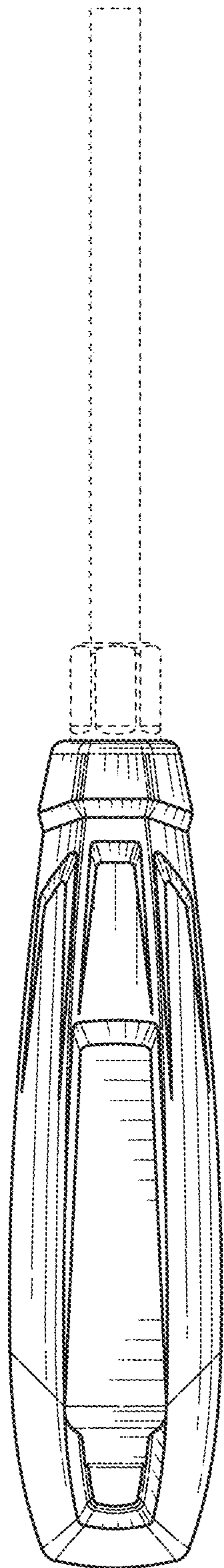


FIG. 4

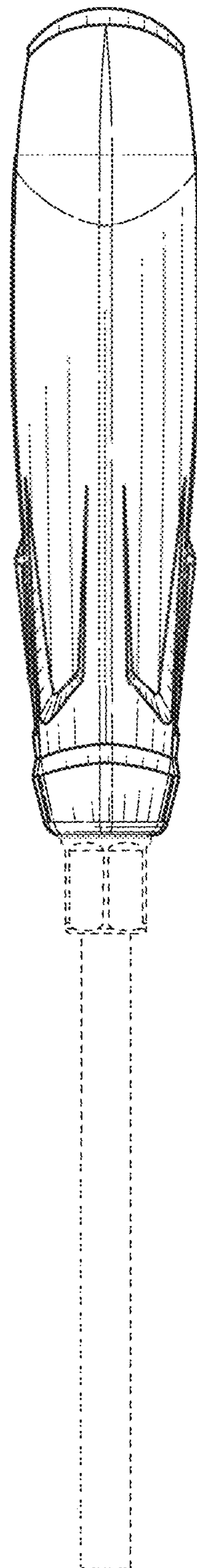


FIG. 5