



US00D906781S

(12) **United States Design Patent** (10) **Patent No.:** **US D906,781 S**
Kukucka et al. (45) **Date of Patent:** **** Jan. 5, 2021**

(54) **NOB MEMBER OF A TOOL HOLDING DEVICE**

(71) Applicant: **GRIP HOLDINGS LLC**, Brandon, FL (US)

(72) Inventors: **Paul Kukucka**, Brandon, FL (US);
Thomas Stefan Kukucka, Brandon, FL (US)

(73) Assignee: **GRIP HOLDINGS LLC**, Brandon, FL (US)

(**) Term: **15 Years**

(21) Appl. No.: **29/730,683**

(22) Filed: **Apr. 7, 2020**

Related U.S. Application Data

(63) Continuation-in-part of application No. 29/710,567, filed on Oct. 24, 2019, now Pat. No. Des. 887,711.

(51) **LOC (13) Cl.** **08-01**

(52) **U.S. Cl.**
USPC **D8/71; D3/312**

(58) **Field of Classification Search**
USPC D8/71, 74, 321, 349, 380, 382, 394, 499;
D15/140, 138; D3/312, 313
CPC B25B 9/00; B25B 11/00; B25B 23/00;
B25B 23/0007; B25B 23/0057; B25B
23/0085; B25B 33/00; A47F 5/0869;
Y10S 269/00; Y10T 16/00; Y10T 16/211;
Y10T 279/00; Y10T 279/17196; Y10T
279/17752; F16M 2200/066; F16M
200/00; F16M 13/00; F16M 13/005;
F16M 13/04; F16M 11/02

See application file for complete search history.

(56) **References Cited**

U.S. PATENT DOCUMENTS

D270,516 S *	9/1983	Achille	D8/354
D366,996 S *	2/1996	Torres	D17/22
D432,880 S *	10/2000	Rice	D8/29
D515,910 S *	2/2006	Gates	B60R 9/06 D8/354
D570,209 S *	6/2008	Hagleitner	D8/499
D579,323 S *	10/2008	Hagleitner	D15/143
D579,765 S *	11/2008	Hagleitner	D15/143
D632,556 S *	2/2011	Van Camp	D8/400
D641,609 S *	7/2011	Yagame	D8/354
D657,648 S *	4/2012	Wachsmann	D8/71
D693,390 S *	11/2013	Wachsmann	D15/140
D693,391 S *	11/2013	Roetsch	D15/140
D696,574 S *	12/2013	Caterinacci	D8/382
D833,543 S *	11/2018	Semling	D21/499
D835,729 S *	12/2018	Semling	D21/499
D837,306 S *	1/2019	Patison	D21/499
D843,822 S *	3/2019	Chappus	D8/380
D871,188 S *	12/2019	Kovacs	D8/99
D896,289 S *	9/2020	Wachsmann	D15/140
2015/0180139 A1 *	6/2015	Alvarez Vazquez	H01R 4/36 439/793

(Continued)

Primary Examiner — Kelley A Donnelly

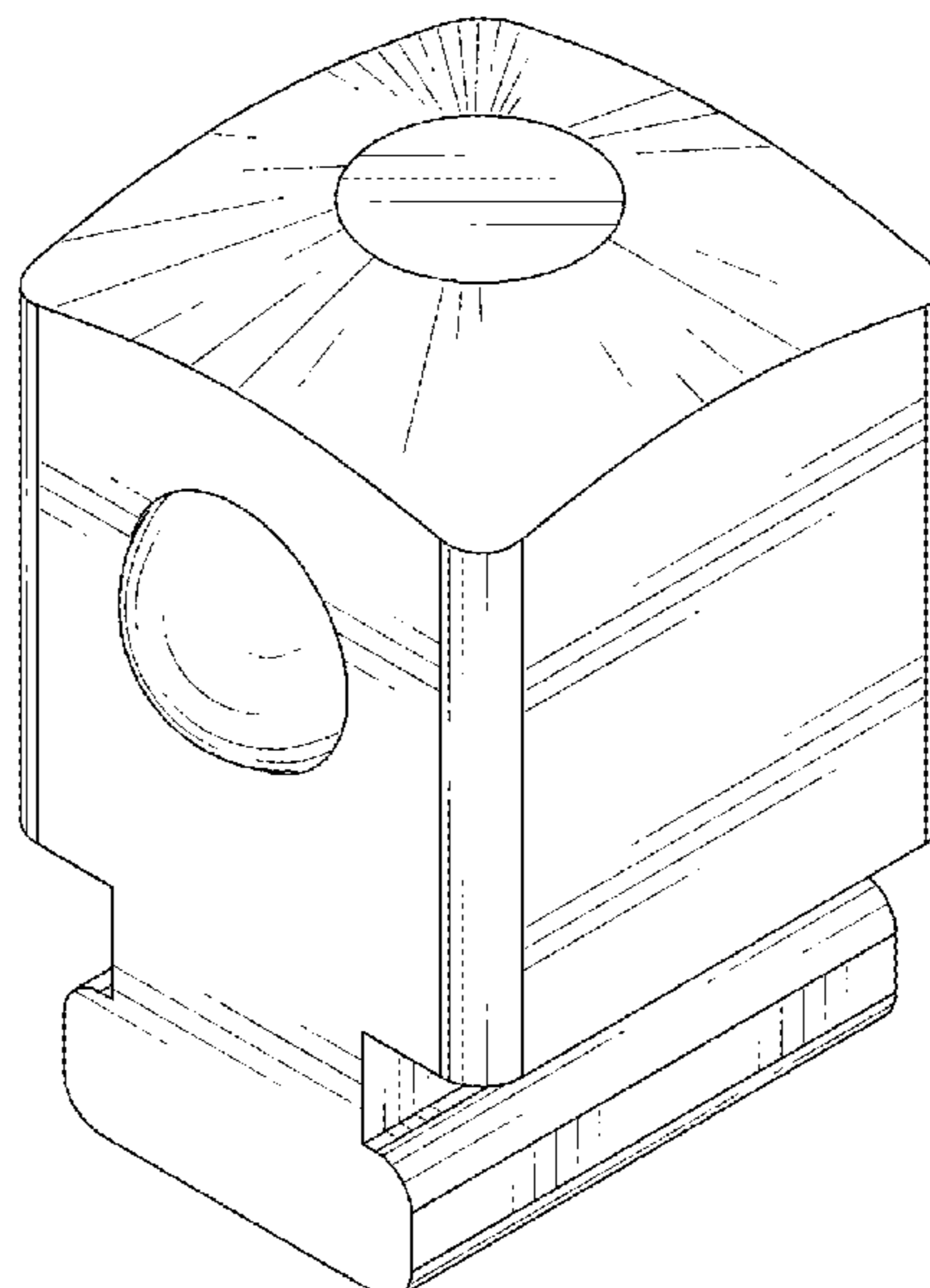
(57) **CLAIM**

The ornamental design for a nob member of a tool holding device, as shown and described.

DESCRIPTION

FIG. 1 is a top perspective view of a nob member of a tool holding device showing my new design; FIG. 2 is a front elevational view thereof; FIG. 3 is a rear elevational view thereof; FIG. 4 is a right elevation view thereof; FIG. 5 is a top plan view thereof; and, FIG. 6 is a bottom plan view thereof. The left side elevational view is a mirror image of the right elevational view.

1 Claim, 6 Drawing Sheets



(56)

References Cited

U.S. PATENT DOCUMENTS

2018/0235734 A1* 8/2018 Fan A61C 8/0074
2020/0094381 A1* 3/2020 Molina B25B 5/14

* cited by examiner

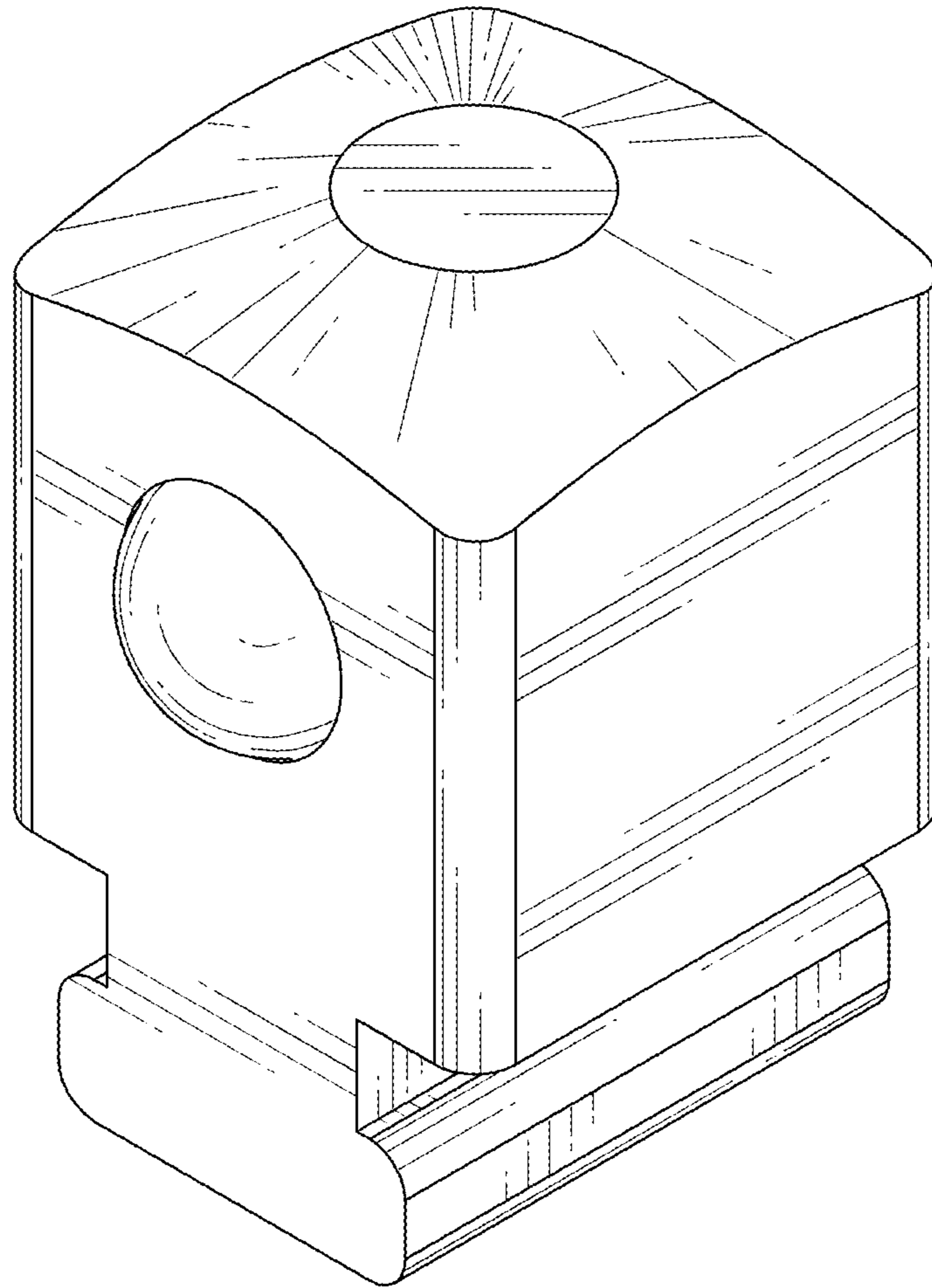


FIG. 1

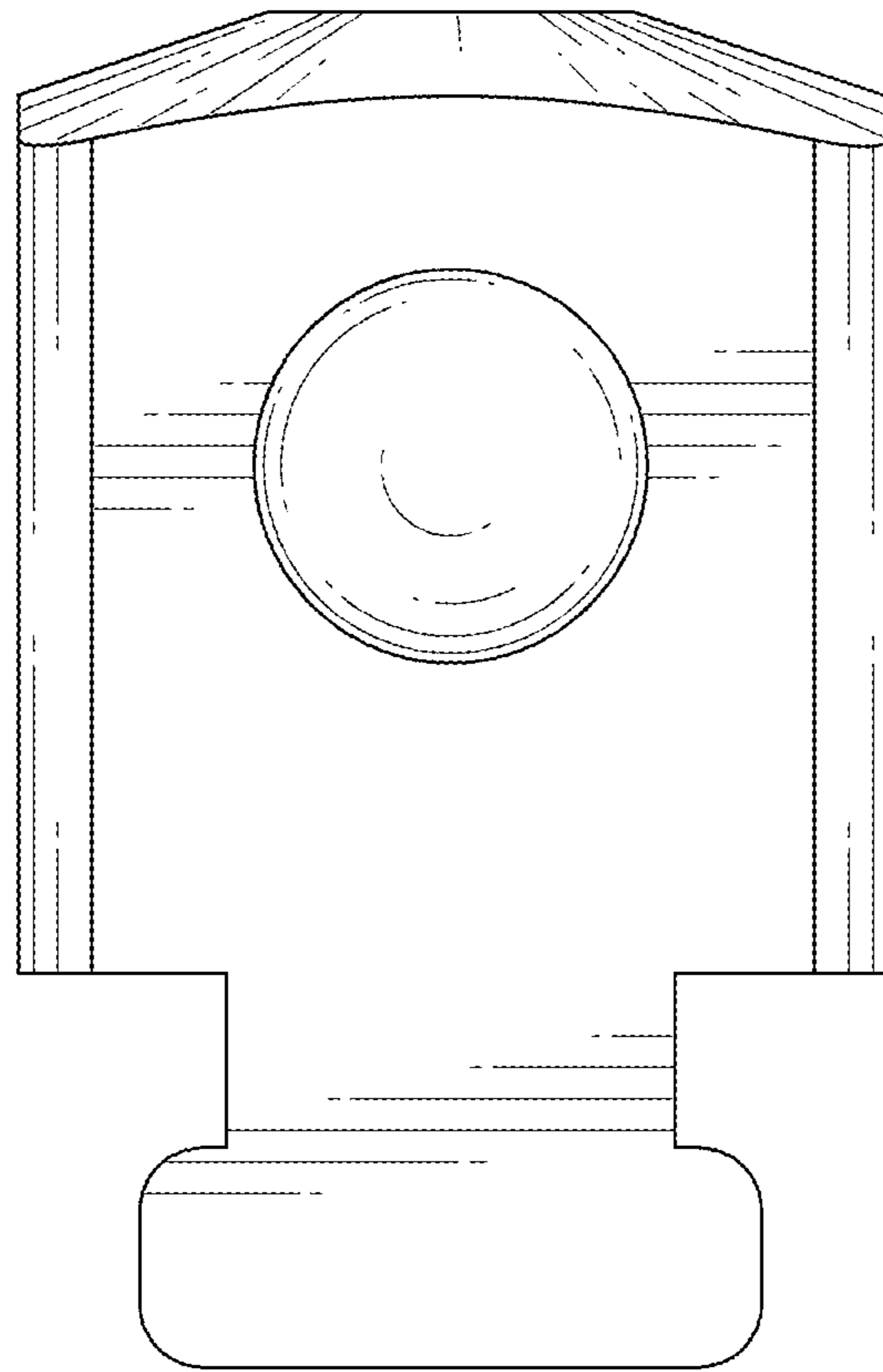


FIG.2

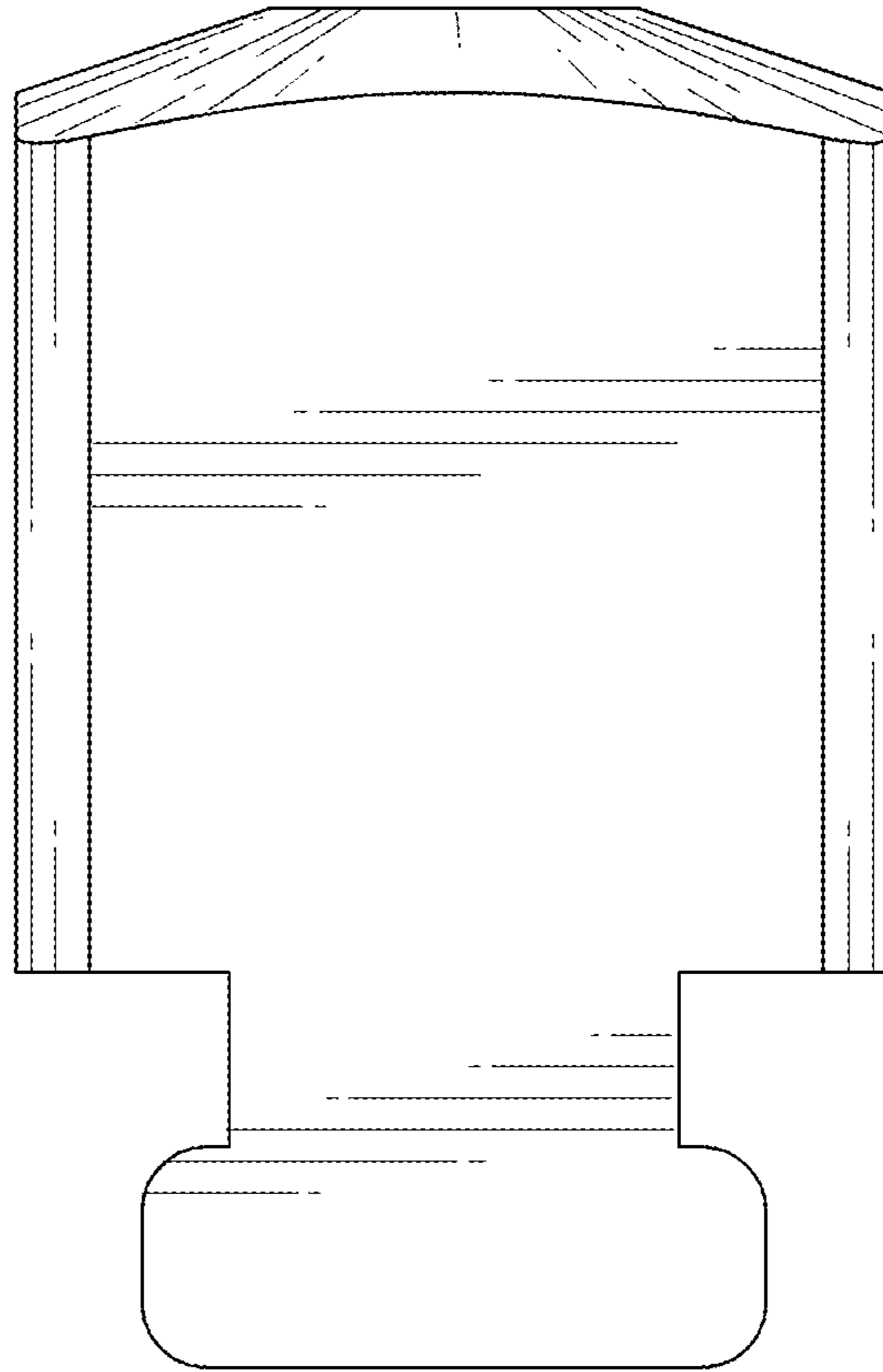


FIG.3

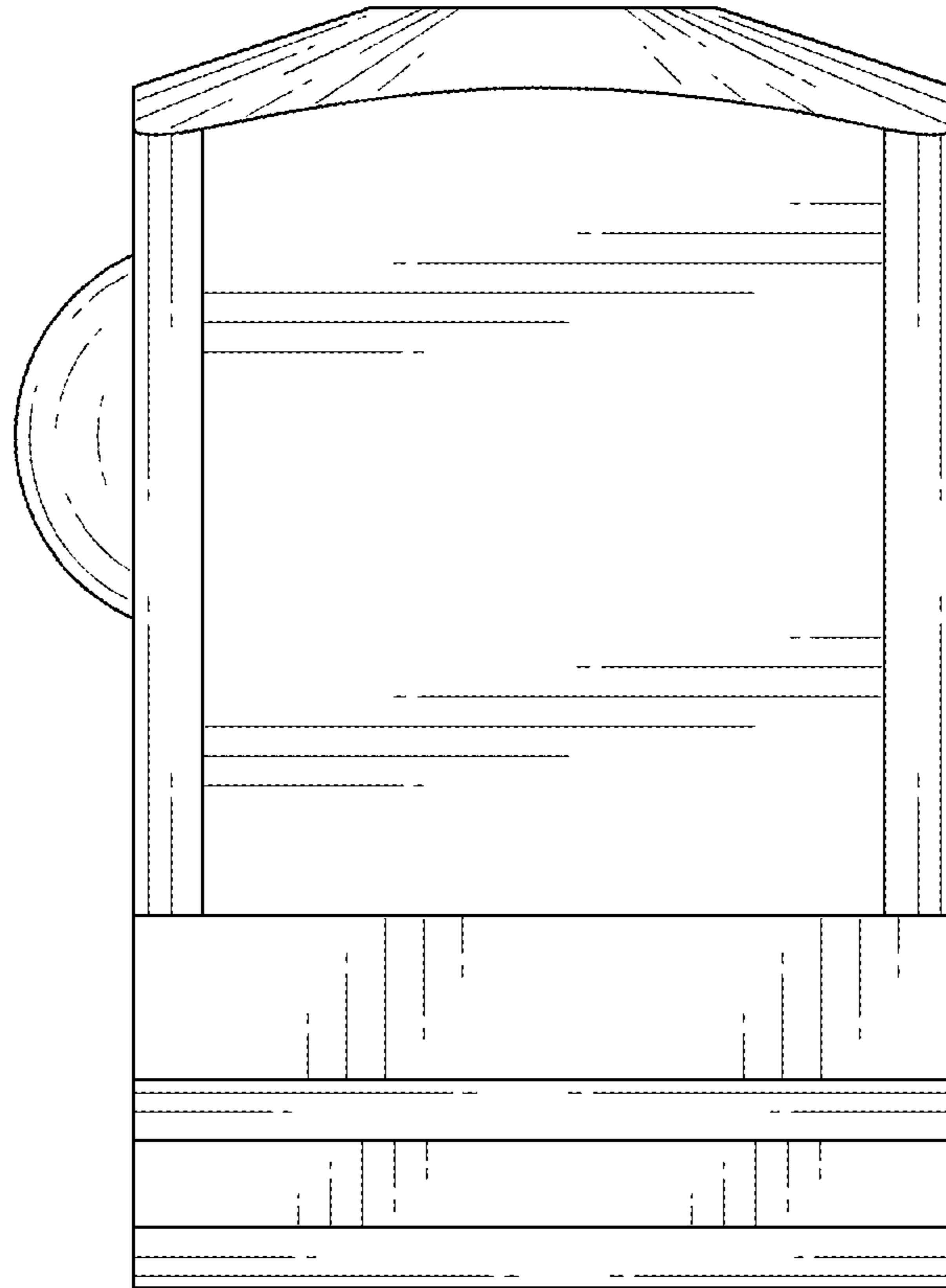


FIG.4

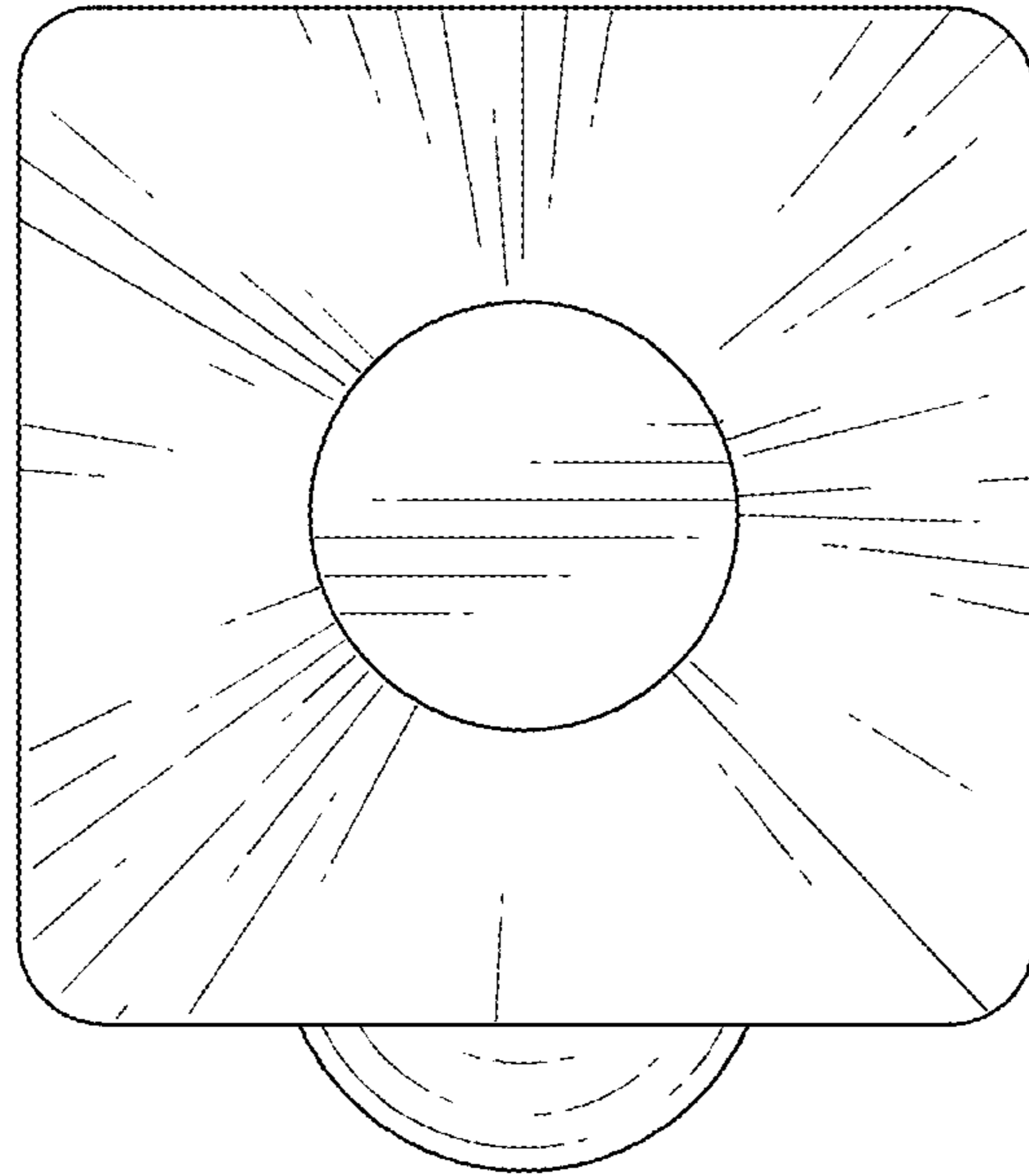


FIG.5

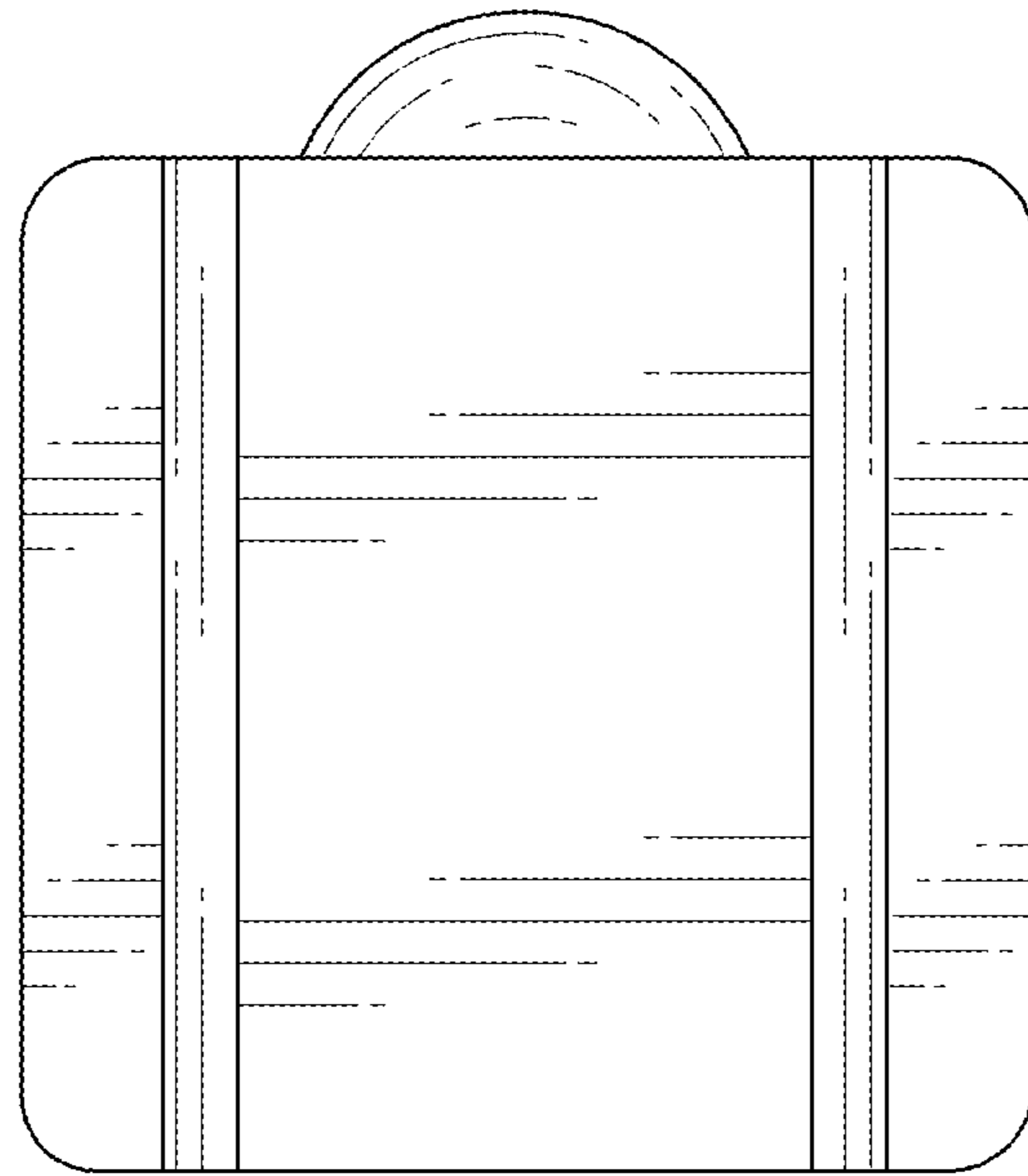


FIG.6