



US00D906779S

(12) **United States Design Patent**  
**Tinius**

(10) **Patent No.:** **US D906,779 S**

(45) **Date of Patent:** **\*\* Jan. 5, 2021**

- (54) **CORDLESS SHRUB SAW**
- (71) Applicant: **Andreas Stihl AG & Co. KG**,  
Waiblingen (DE)
- (72) Inventor: **Michael Tinius**, Ulm (DE)
- (73) Assignee: **Andreas Stihl AG & Co. KG**,  
Waiblingen (DE)

- (\*\*) Term: **15 Years**
- (21) Appl. No.: **29/695,655**
- (22) Filed: **Jun. 20, 2019**

(30) **Foreign Application Priority Data**

Dec. 21, 2018 (EM) ..... 005942018

(51) **LOC (13) Cl.** ..... **08-03**

(52) **U.S. Cl.**  
USPC ..... **D8/64**

(58) **Field of Classification Search**  
USPC .... D8/69, 68, 67, 66, 65, 64, 62, 61; 30/92,  
30/394, 393, 392, 377, 376, 371; 74/50,  
74/49; 173/217, 216; 83/699.21;  
446/145

See application file for complete search history.

(56) **References Cited**

**U.S. PATENT DOCUMENTS**

- D500,651 S \* 1/2005 Andriolo ..... D8/64
- D582,739 S \* 12/2008 Aoki ..... D8/64

- D631,314 S \* 1/2011 Baxter ..... D8/64
- D639,130 S \* 6/2011 Ukai ..... D8/64
- D674,263 S \* 1/2013 Aglassinger ..... D8/64
- D677,542 S \* 3/2013 Baxter ..... D8/64
- D679,566 S \* 4/2013 Aglassinger ..... D8/64
- 2003/0121389 A1 \* 7/2003 Wheeler ..... B23D 51/02  
83/699.21
- 2009/0223071 A1 \* 9/2009 Alberti ..... B23D 51/16  
30/392

\* cited by examiner

*Primary Examiner* — Austin Murphy

(74) *Attorney, Agent, or Firm* — McGuireWoods LLP

(57) **CLAIM**

I claim the ornamental design for a cordless shrub saw, as shown and described.

**DESCRIPTION**

FIG. 1 is a right rear perspective view of the cordless shrub saw showing my new design;

FIG. 2 is a front view of the cordless shrub saw shown in FIG. 1;

FIG. 3 is a rear view of the cordless shrub saw shown in FIG. 1;

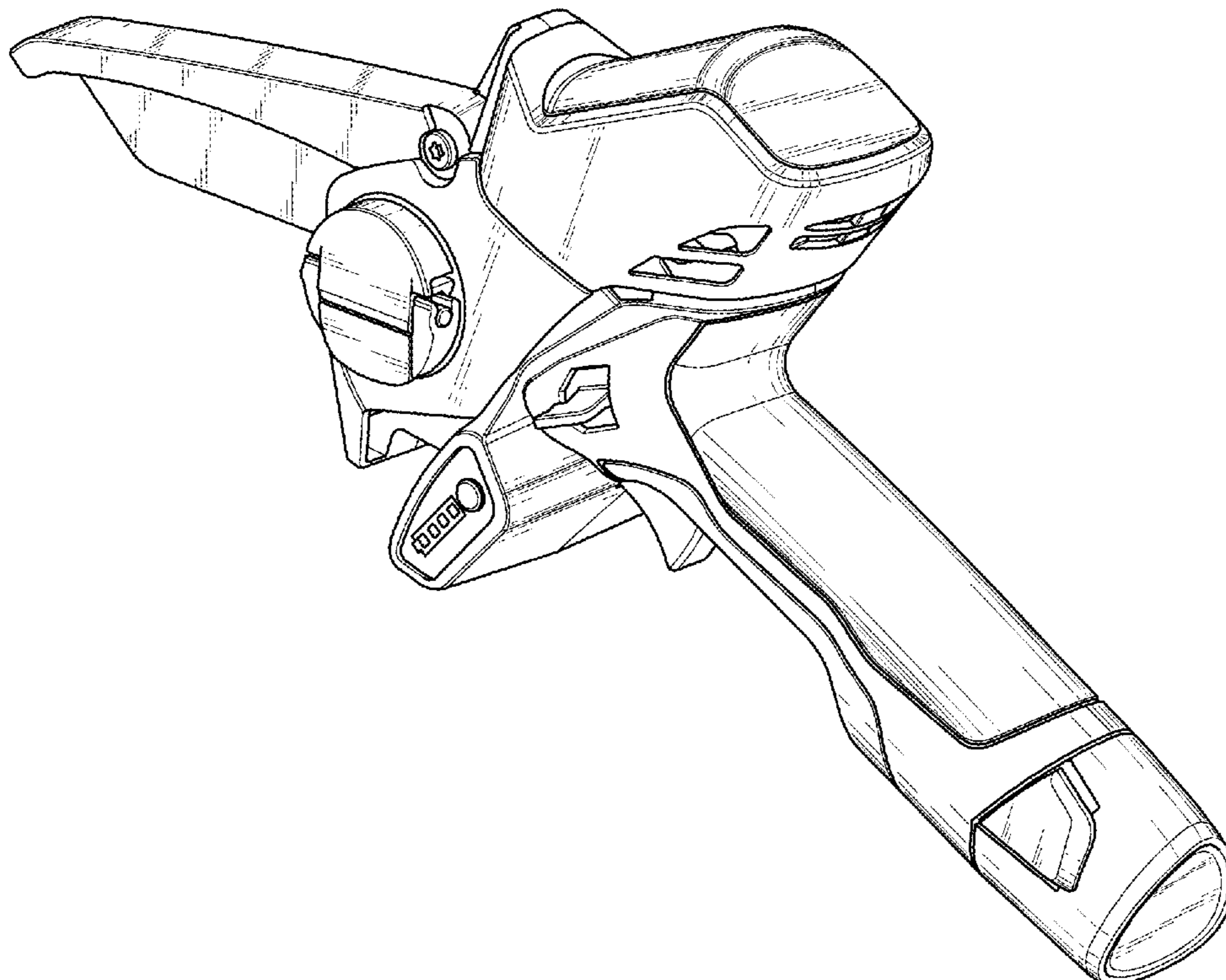
FIG. 4 is a right side elevation view of the cordless shrub saw shown in FIG. 1;

FIG. 5 is a left side elevation view of the cordless shrub saw shown in FIG. 1;

FIG. 6 is a top view of the cordless shrub saw shown in FIG. 1; and,

FIG. 7 is a bottom view of the cordless shrub saw shown in FIG. 1.

**1 Claim, 7 Drawing Sheets**



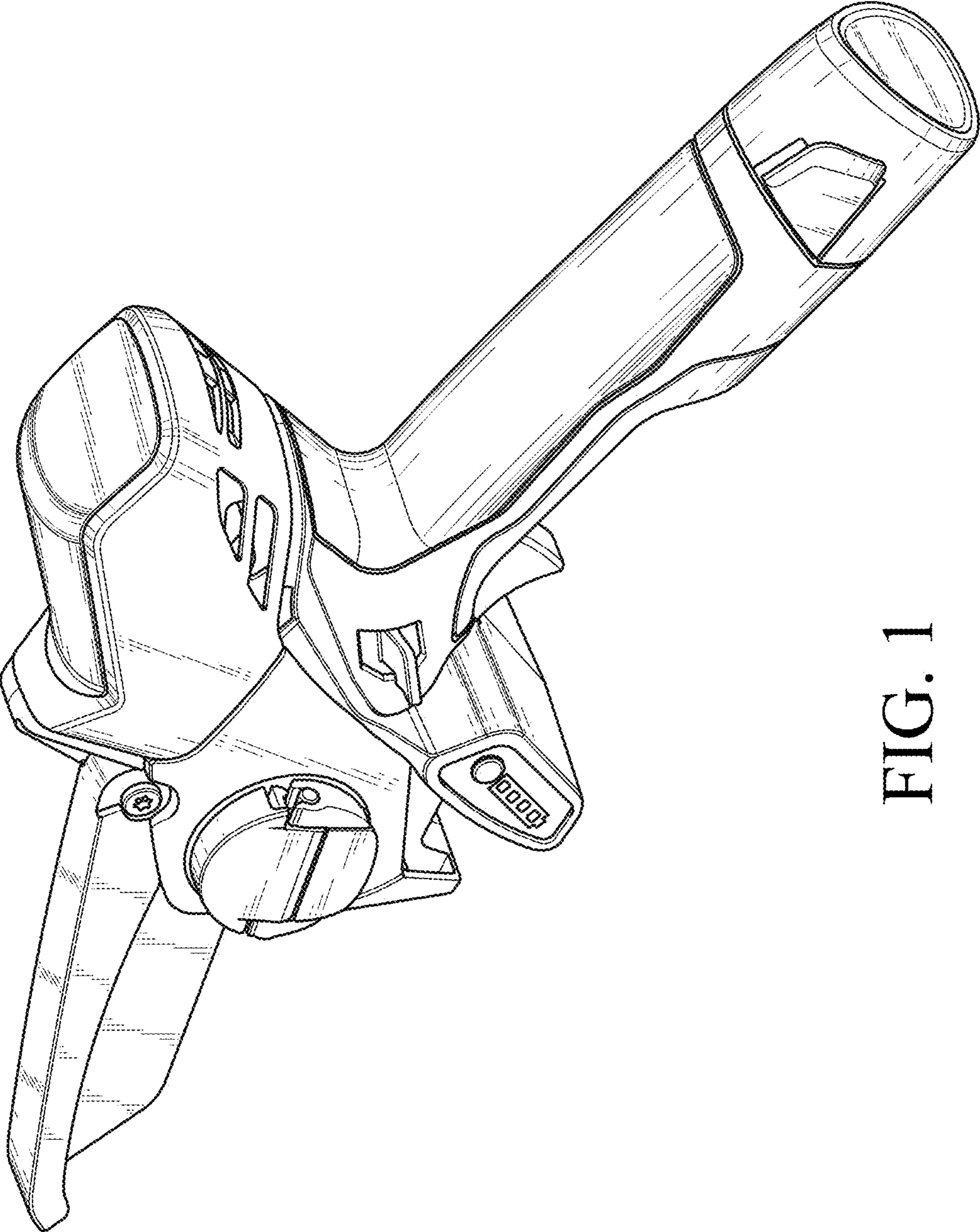


FIG. 1

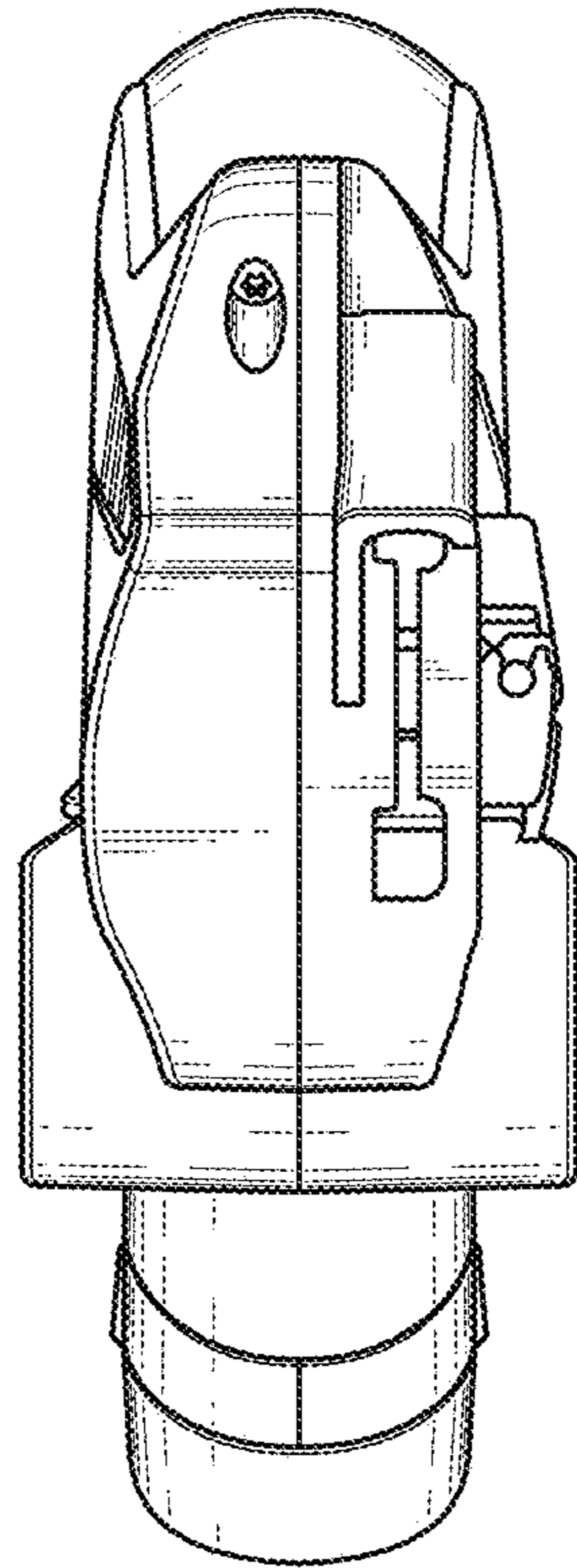


FIG. 2

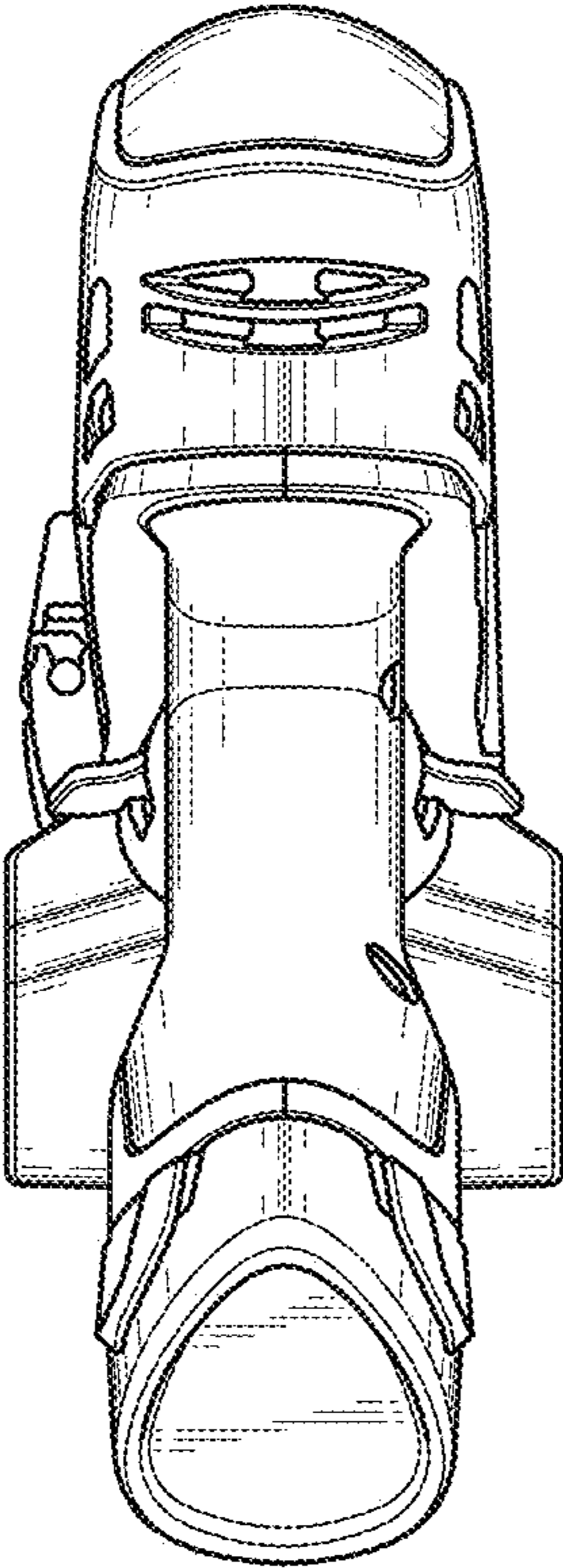


FIG. 3

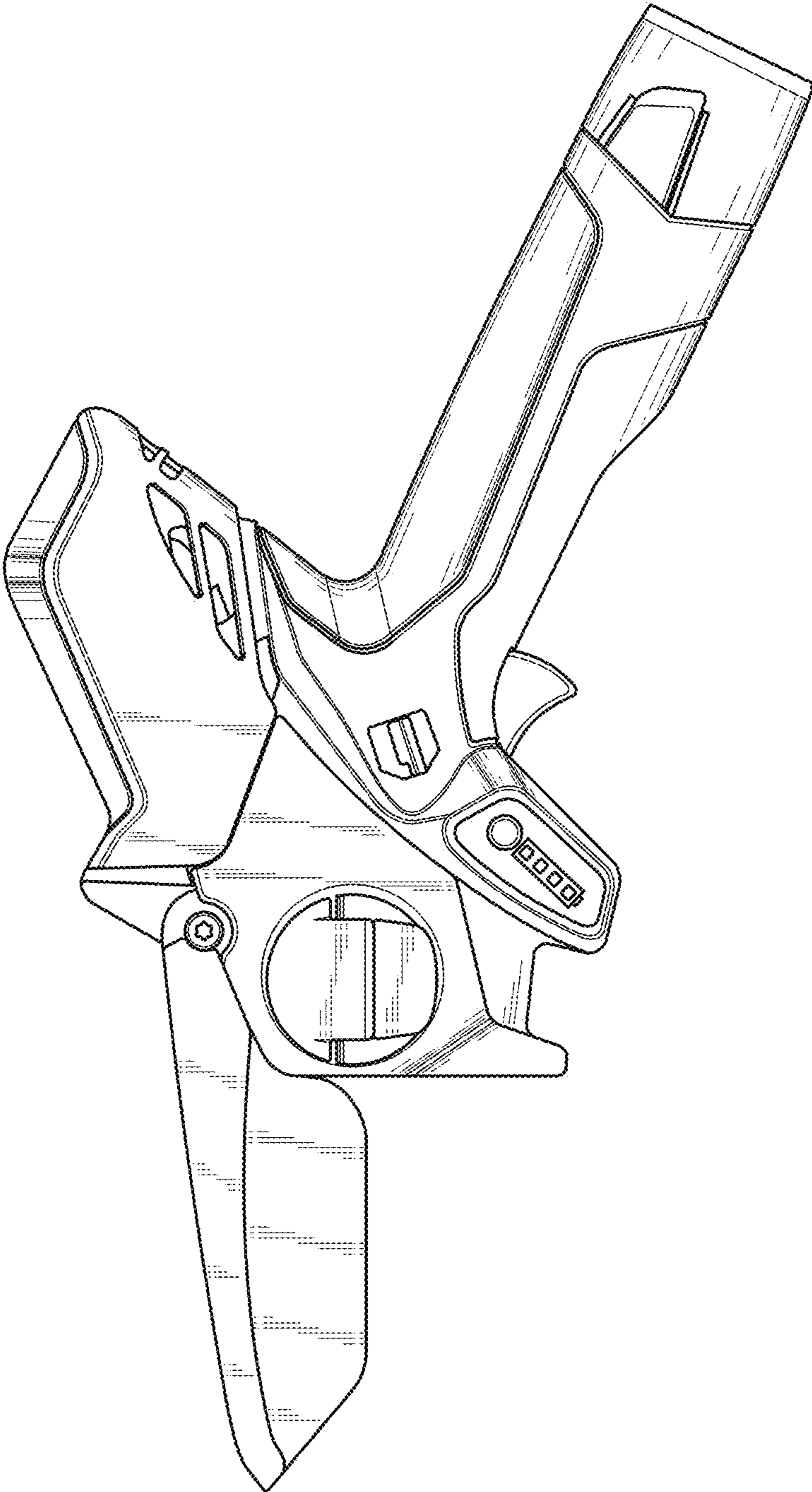


FIG. 4

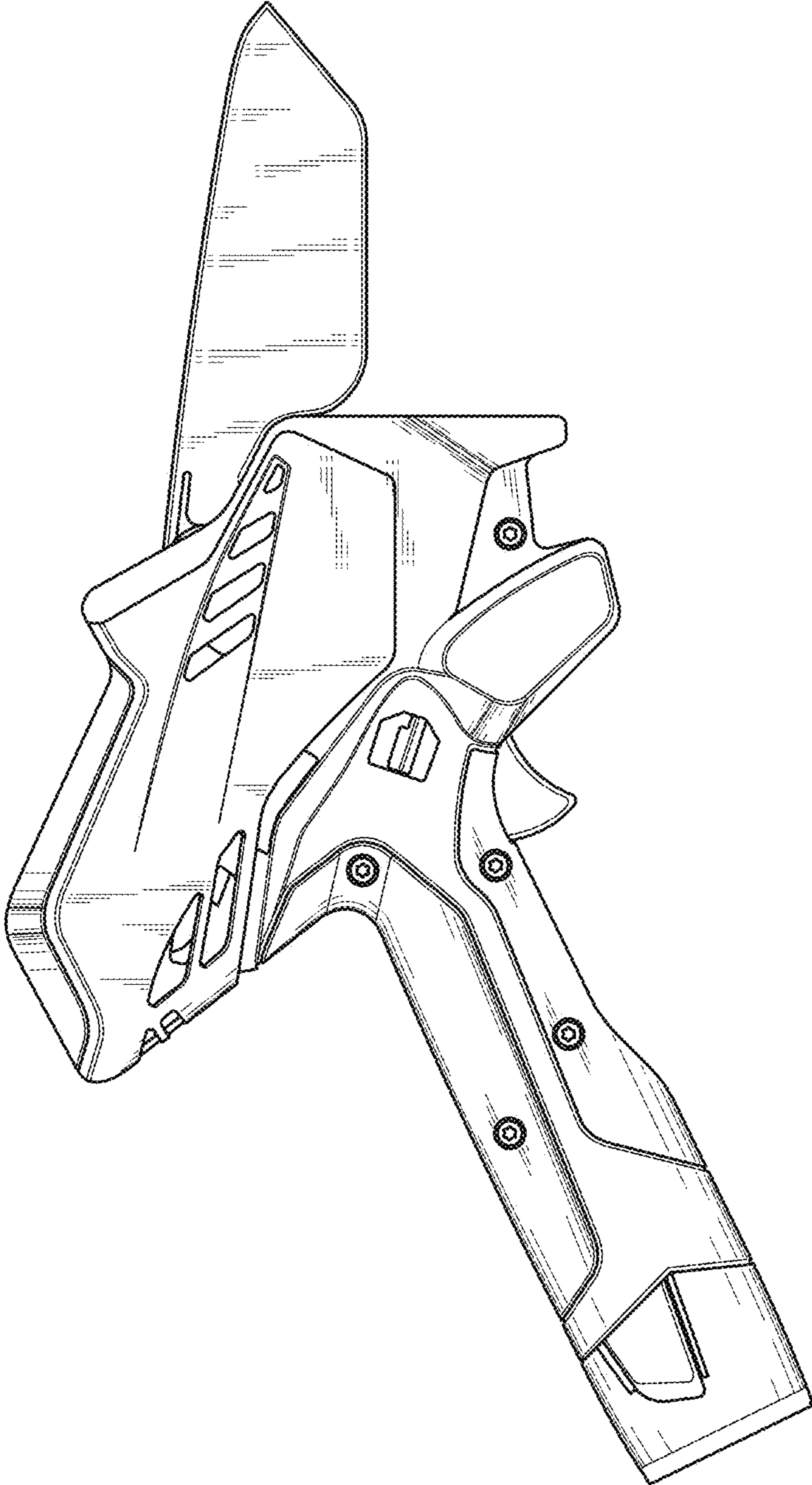


FIG. 5

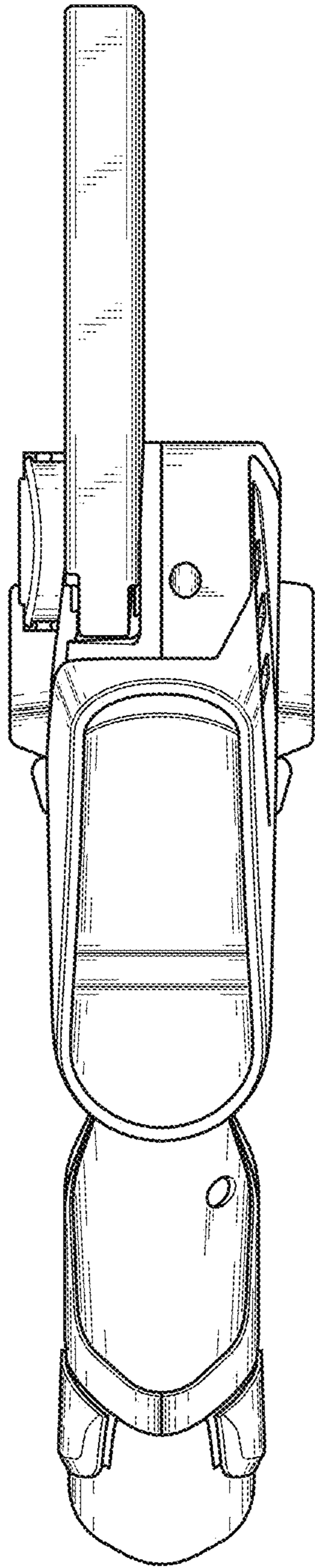


FIG. 6

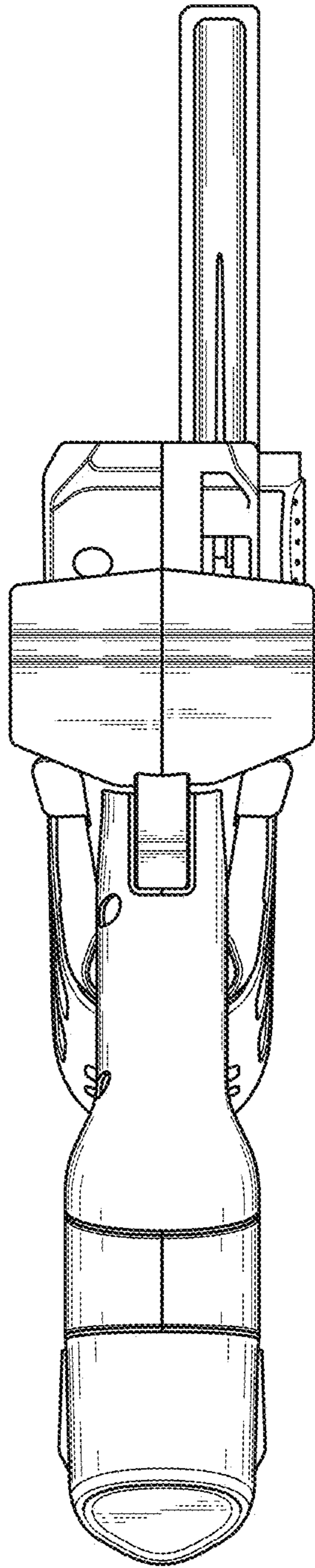


FIG. 7