



US00D906778S

(12) **United States Design Patent**
Sabuncuoglu et al.

(10) **Patent No.:** **US D906,778 S**
(45) **Date of Patent:** **** Jan. 5, 2021**

(54) **SANDING AND POLISHING MACHINE**

(71) Applicant: **Flex-Elektrowerkzeuge GmbH,**
Steinheim/Murr (DE)

(72) Inventors: **Nazim Sabuncuoglu,** Tamm (DE);
Hannes Weinbrenner, Aspach (DE)

(73) Assignee: **Flex-Elektrowerkzeuge GmbH,**
Steinheim/Murr (DE)

(**) Term: **15 Years**

(21) Appl. No.: **35/507,714**

(22) Filed: **May 2, 2019**

(80) **Hague Agreement Data**

Int. Filing Date: **May 2, 2019**

Int. Reg. No.: **DM/203566**

Int. Reg. Date: **May 2, 2019**

Int. Reg. Pub. Date: **Nov. 8, 2019**

(51) **LOC (13) Cl.** **08-01**

(52) **U.S. Cl.**
USPC **D8/62**
CPC **B24B 7/18** (2013.01)

(58) **Field of Classification Search**
USPC D8/61, 64, 66, 67, 68, 69, 70; 83/698.41,
83/747, 166.3, 373-377, 388, 389, 390;
125/13.01; 144/218; D21/532
CPC B24B 7/18; B24B 7/184; B24B 23/02;
B24B 55/102; B24D 13/16
See application file for complete search history.

(56) **References Cited**

U.S. PATENT DOCUMENTS

- 3,785,092 A * 1/1974 Hutchins B24B 55/105
451/357
- 4,158,935 A * 6/1979 Robert B24D 9/08
451/359
- 4,782,632 A * 11/1988 Matechuk B24B 7/184
451/354

- 5,239,783 A * 8/1993 Matechuk B24B 7/184
451/354
- 5,545,080 A * 8/1996 Clowers B24B 7/184
451/354
- 5,951,389 A * 9/1999 Hettes B24B 45/006
403/343
- 6,659,852 B1 * 12/2003 Wettstein B24B 7/18
451/344
- 7,203,986 B2 * 4/2007 Pears A47L 11/38
15/145
- D564,322 S * 3/2008 Wright D8/62
- 7,387,564 B2 * 6/2008 Jespersen B24B 55/102
451/354
- D573,431 S * 7/2008 Wright D8/62
- 7,458,884 B2 * 12/2008 Falk B24B 55/102
451/359
- 7,625,264 B1 * 12/2009 Gordon B24B 7/184
451/294
- 7,828,631 B1 * 11/2010 Herbert B24B 7/18
451/344
- 8,591,292 B2 * 11/2013 Roscher B24B 7/184
451/354
- 8,839,778 B2 * 9/2014 South B28D 1/04
125/13.01
- D748,963 S * 2/2016 Roeck D8/62
- D787,908 S * 5/2017 Hebert D8/62

(Continued)

Primary Examiner — Richard E Chilcot

(74) *Attorney, Agent, or Firm* — Aslan Law, P.C.

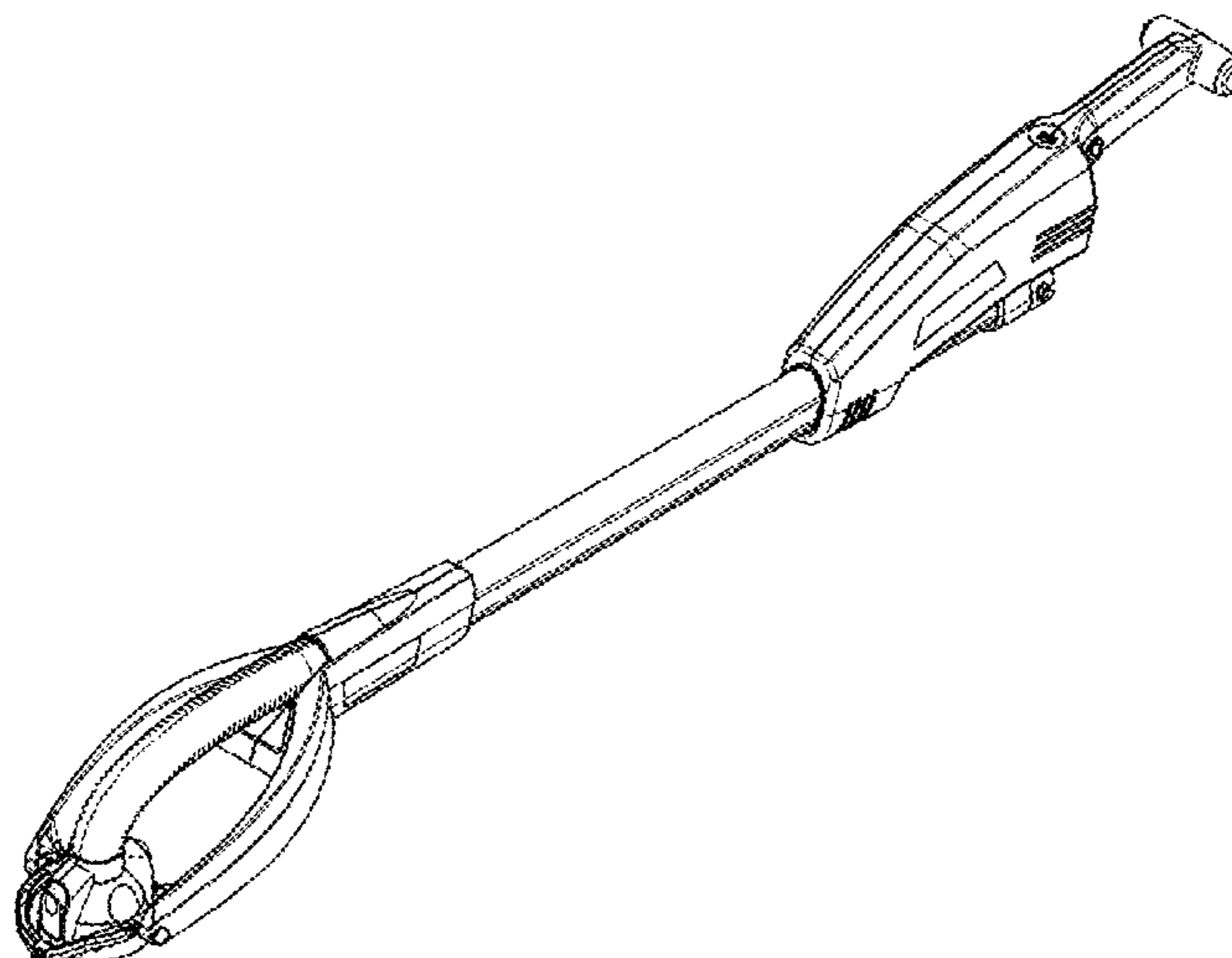
(57) **CLAIM**

The ornamental design for a sanding and polishing machine, as shown and described.

DESCRIPTION

FIG. 20.1 is a first perspective view of a sanding and polishing machine showing my new design; FIG. 20.2 is a right side view thereof; FIG. 20.3 is a front view thereof; FIG. 20.4 is a left side view thereof; FIG. 20.5 is a rear view thereof; FIG. 20.6 is a top view thereof; and FIG. 20.7 is a bottom view thereof.

1 Claim, 7 Drawing Sheets



(56)

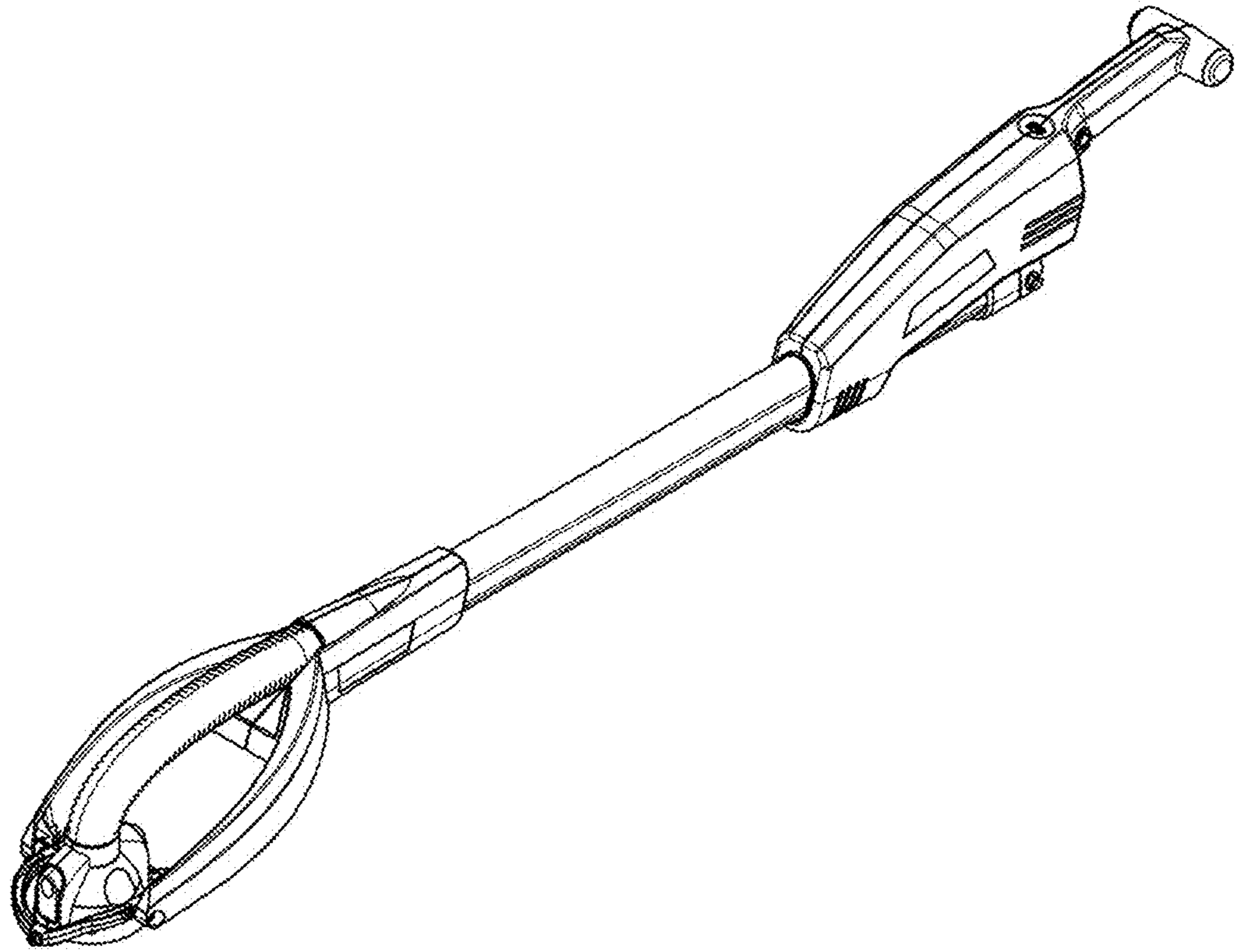
References Cited

U.S. PATENT DOCUMENTS

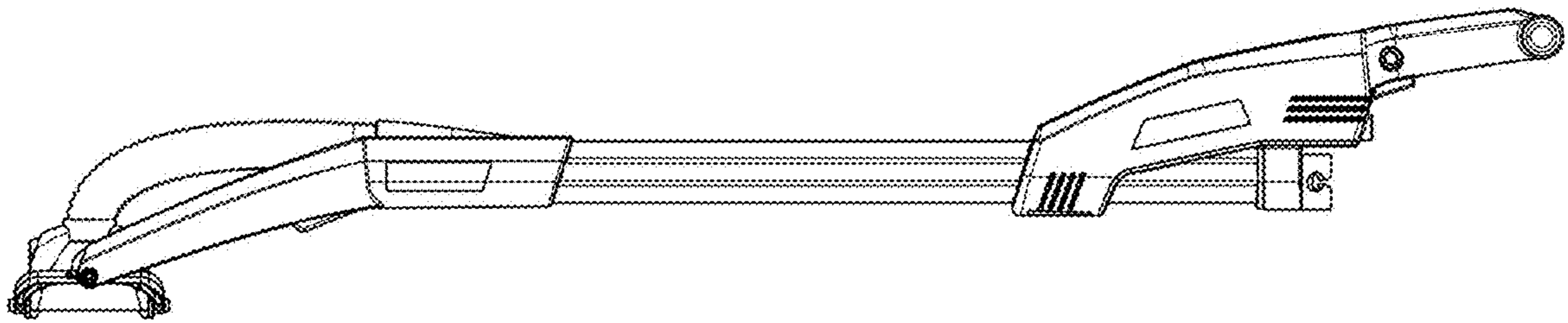
D801,772 S * 11/2017 Roeck D8/62
2006/0073778 A1* 4/2006 Phillips B24B 47/12
451/354
2008/0085664 A1* 4/2008 Weiford B24B 23/02
451/259
2010/0048108 A1* 2/2010 Stott B24B 23/005
451/344

* cited by examiner

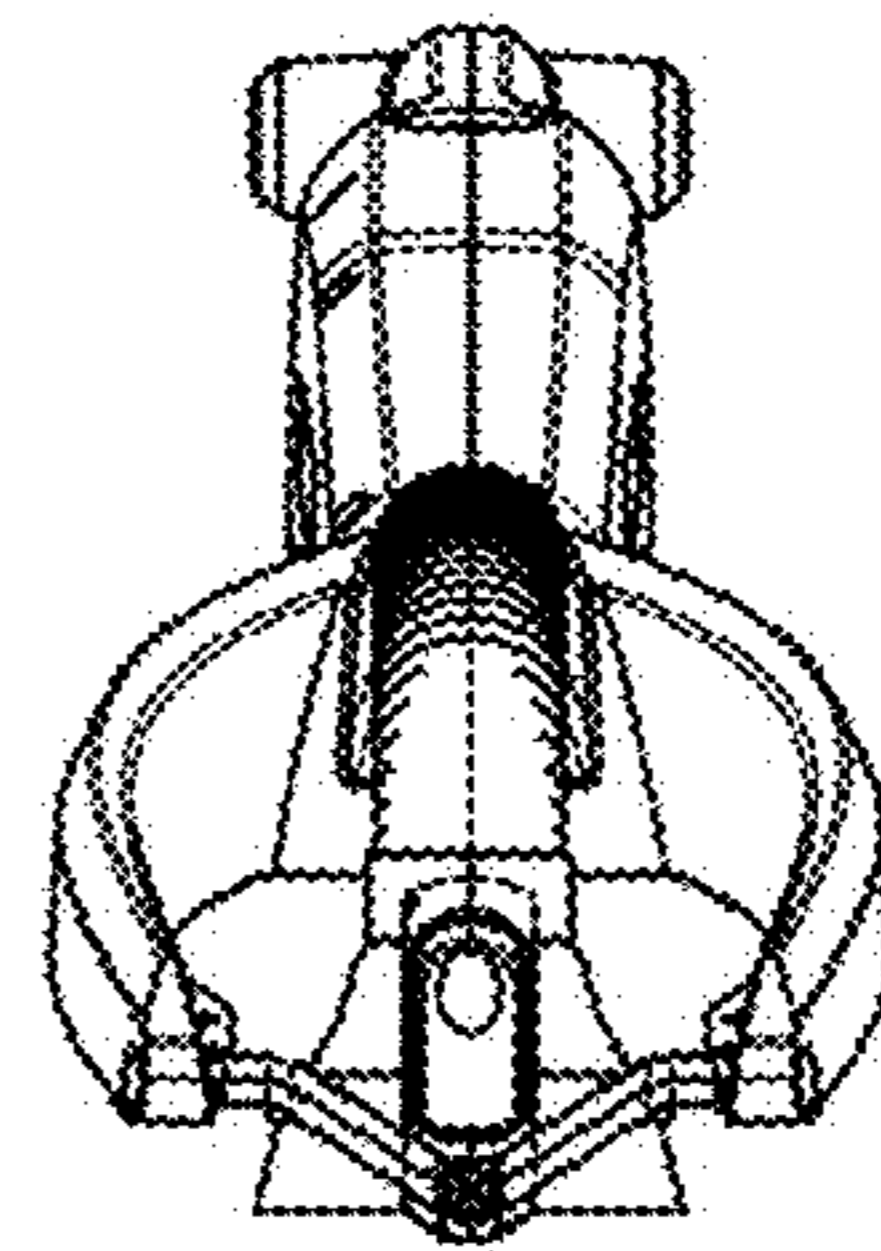
20.1



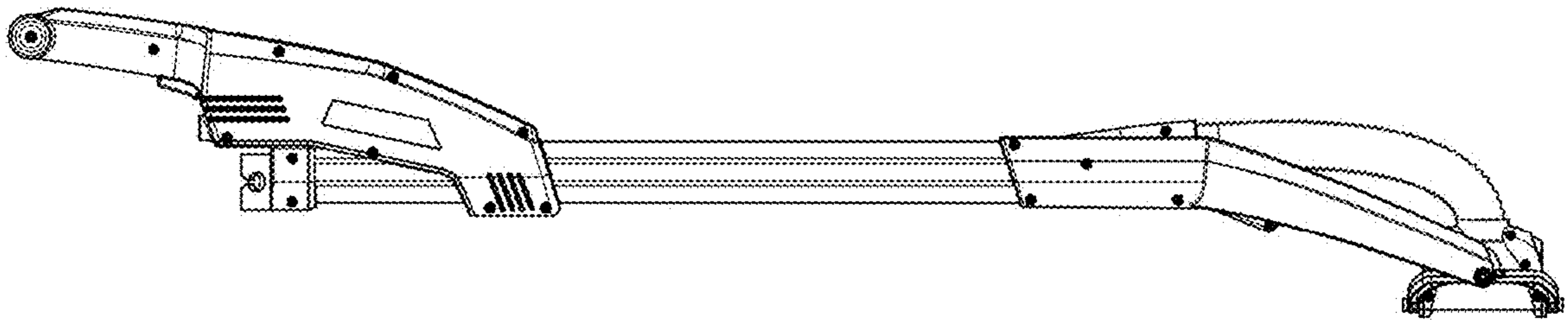
20.2



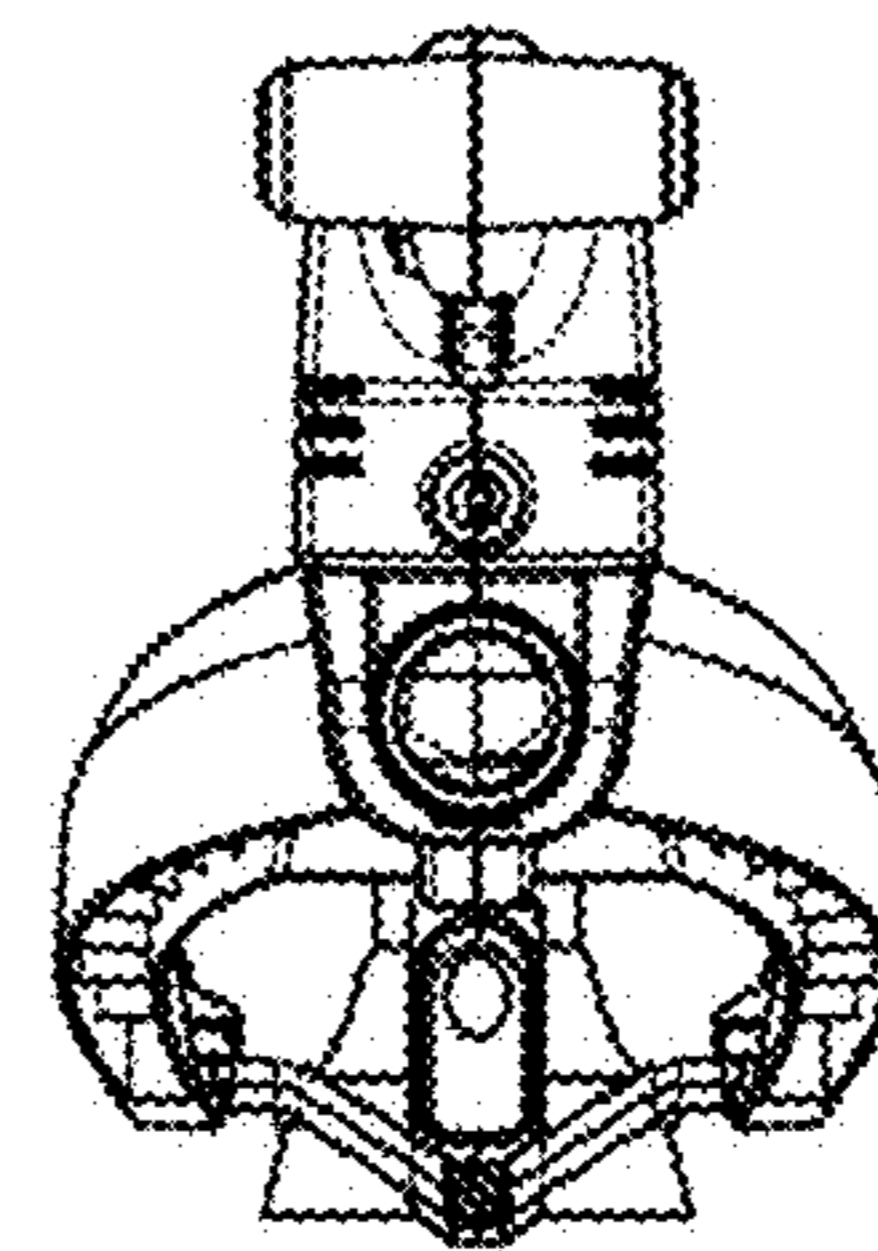
20.3



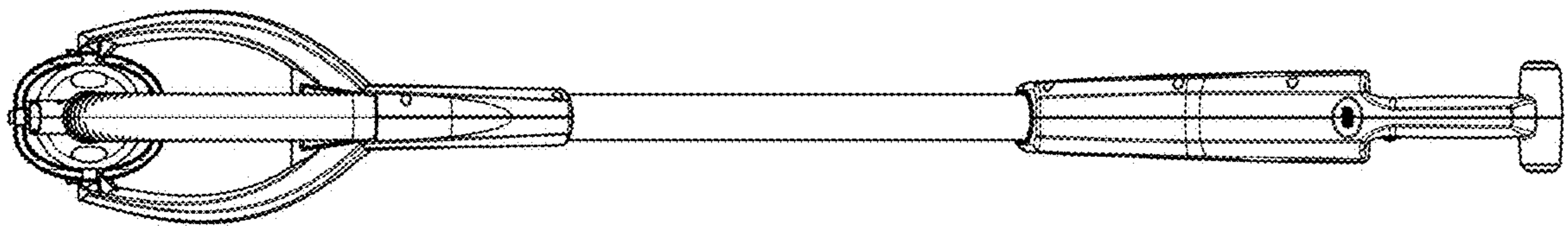
20.4



20.5



20.6



20.7

