



US00D906777S

(12) **United States Design Patent**
Olejnik

(10) **Patent No.:** **US D906,777 S**

(45) **Date of Patent:** **** Jan. 5, 2021**

(54) **END CAP FOR SECURING AND RELEASING SPATULA FINISHING BLADE**

(71) Applicant: **Jacek Olejnik**, Ramiszów (PL)

(72) Inventor: **Jacek Olejnik**, Ramiszów (PL)

(**) Term: **15 Years**

(21) Appl. No.: **35/506,362**

(22) Filed: **Aug. 27, 2018**

(80) **Hague Agreement Data**

Int. Filing Date: **Aug. 27, 2018**

Int. Reg. No.: **DM/200036**

Int. Reg. Date: **Aug. 27, 2018**

Int. Reg. Pub. Date: **Mar. 1, 2019**

(30) **Foreign Application Priority Data**

Mar. 2, 2018 (EM) 004735553-0001

Mar. 2, 2018 (EM) 004735553-0002

(51) **LOC (13) Cl.** **08-05**

(52) **U.S. Cl.**
USPC **D8/45**

(58) **Field of Classification Search**
USPC D8/14, 45; D7/7, 688; D32/40, 46, 48, D32/49
CPC B05C 17/10; B25G 1/102; E04F 21/06; E04F 21/162; E04F 21/163; E04F 21/165
See application file for complete search history.

(56) **References Cited**

U.S. PATENT DOCUMENTS

D352,432 S * 11/1994 Monroe D32/41

7,255,513 B2 * 8/2007 Lampley E04F 21/245

404/112

D577,971 S * 10/2008 Hughett D8/45

D786,033 S * 5/2017 Rampling D8/45
D790,297 S * 6/2017 Puusaag D8/45
D795,031 S * 8/2017 Jones D8/45
9,957,726 B2 * 5/2018 Milane E04F 21/08
D832,668 S * 11/2018 Ramping D8/45
D833,844 S * 11/2018 Ramping D8/45
D833,845 S * 11/2018 Ramping D8/45

* cited by examiner

Primary Examiner — Darlington Ly

(74) *Attorney, Agent, or Firm* — Andrew Malarz, Esq.

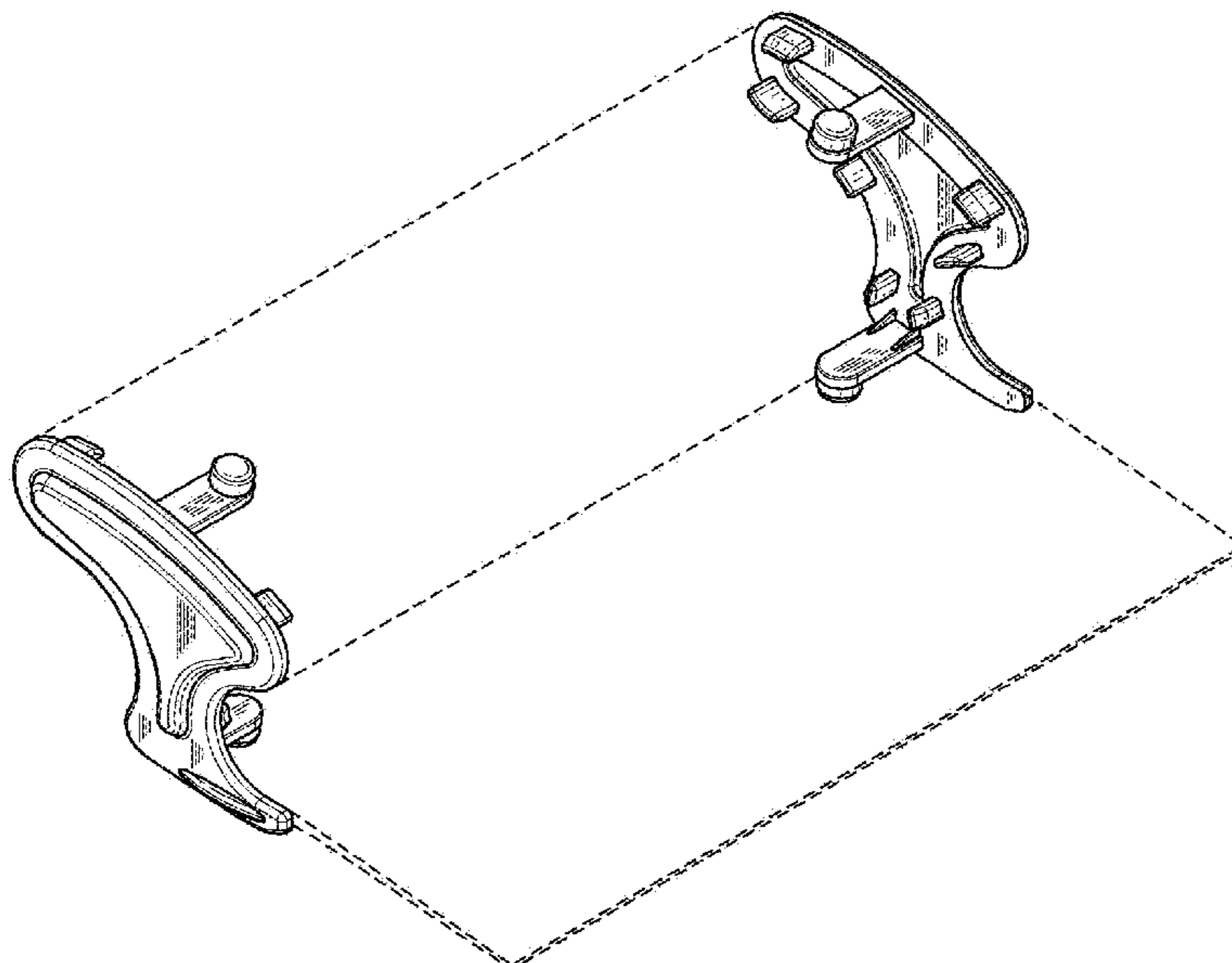
(57) **CLAIM**

The ornamental design for an end cap for securing and releasing spatula finishing blade, as shown and described.

DESCRIPTION

1.1 is a right side elevation view of an end cap for securing and releasing spatula finishing blade showing my new design in accordance to a first embodiment;
1.2 is a left side elevation view thereof;
1.3 is a perspective view thereof;
1.4 is an exploded perspective view thereof;
1.5 is an enlarged bottom perspective view thereof showing only one side of the end cap; the opposite end cap, which is also a part of the claimed design, is not shown in this view.
2.1 is a right side elevation view of an end cap for securing and releasing spatula finishing blade showing my new design in accordance to a second embodiment;
2.2 is a left side elevation view thereof;
2.3 is a perspective view thereof;
2.4 is an exploded perspective view thereof;
2.5 is an enlarged bottom perspective view thereof showing only one side of the end cap; the opposite end cap, which is also a part of the claimed design, is not shown in this view.
The broken line showing of the spatula finishing blade is provided for the purposes of illustrating environmental structure and forms no part of the claimed design.

1 Claim, 6 Drawing Sheets



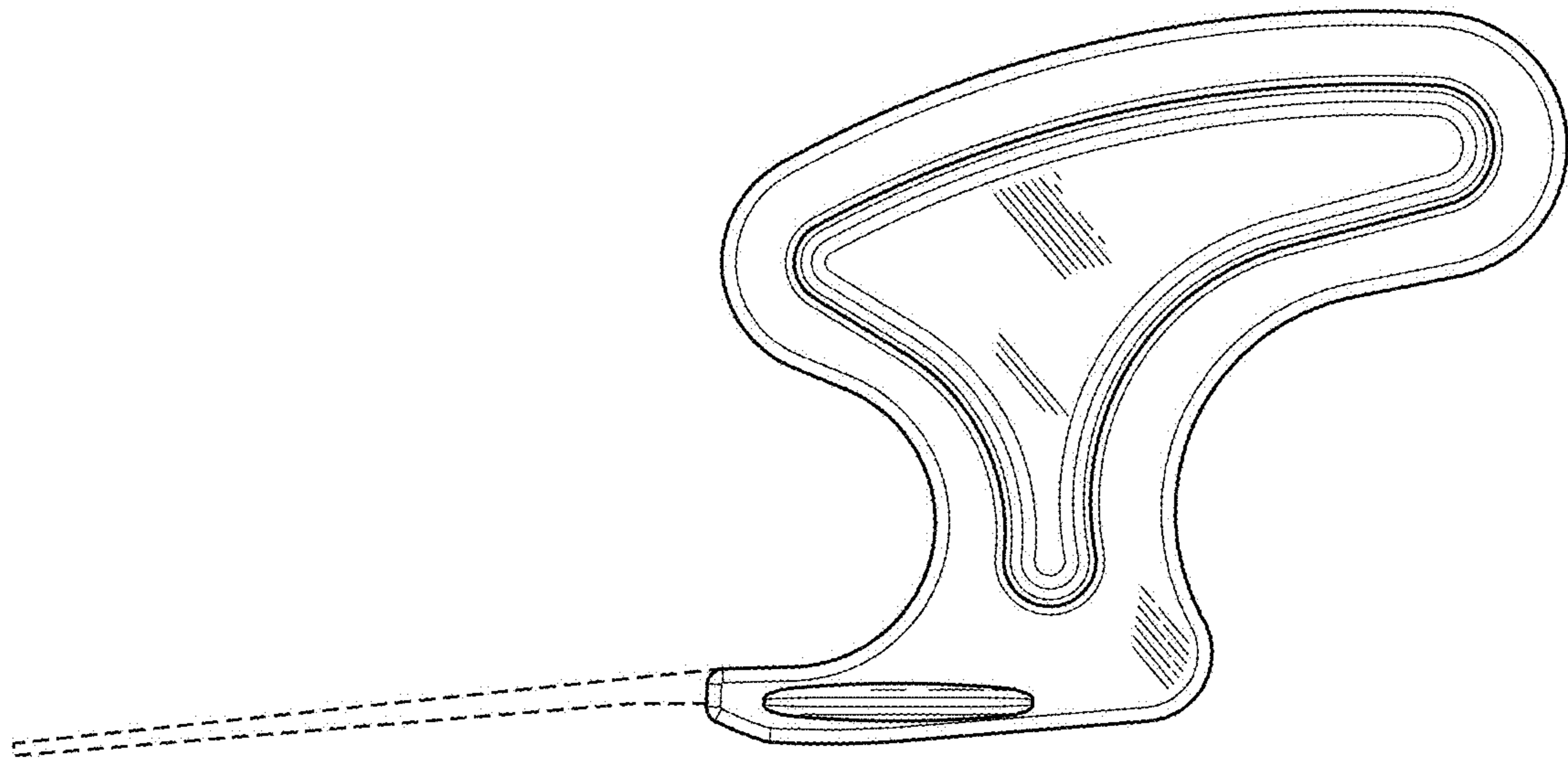


FIG. 1.1

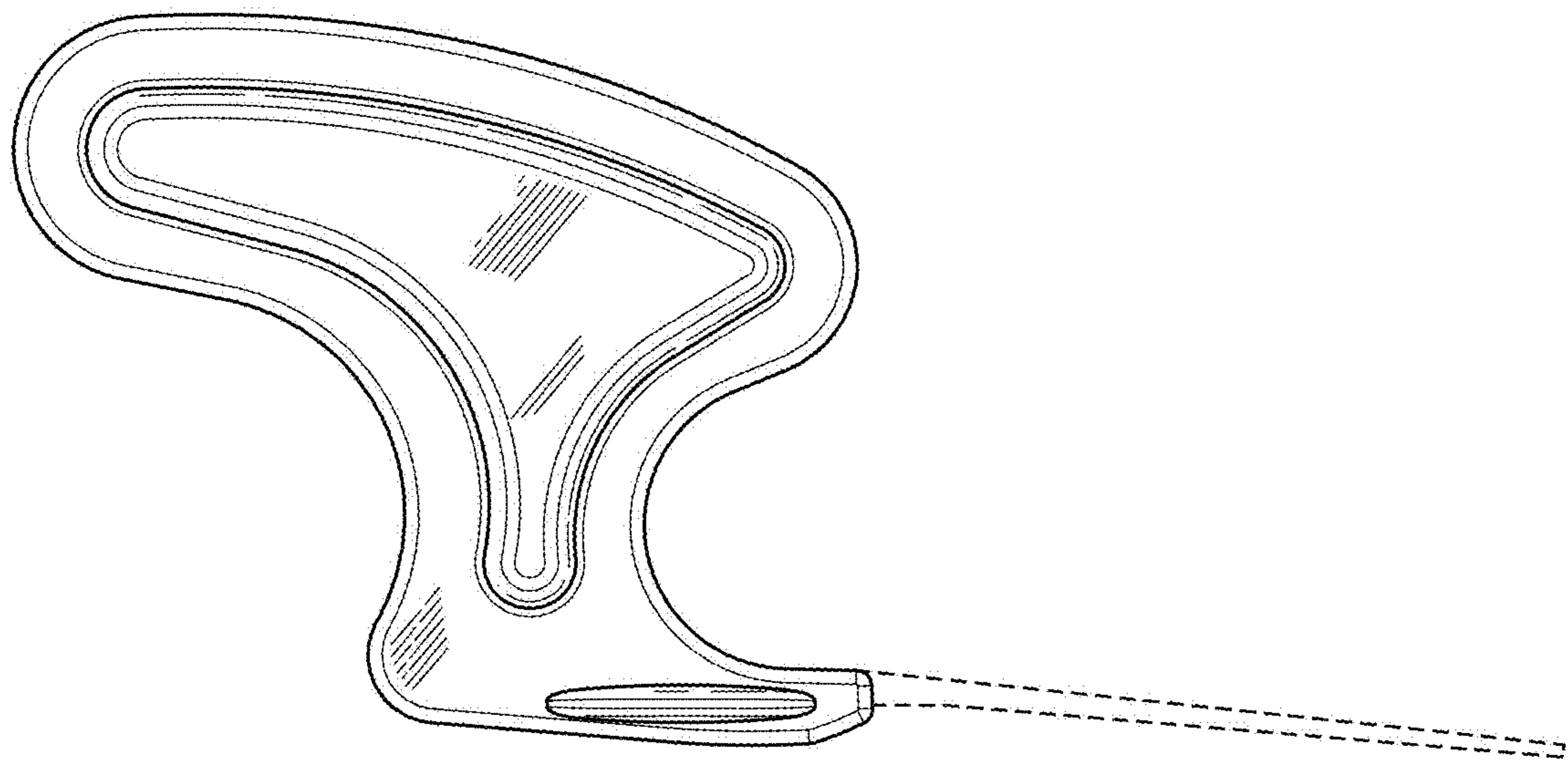


FIG. 1.2

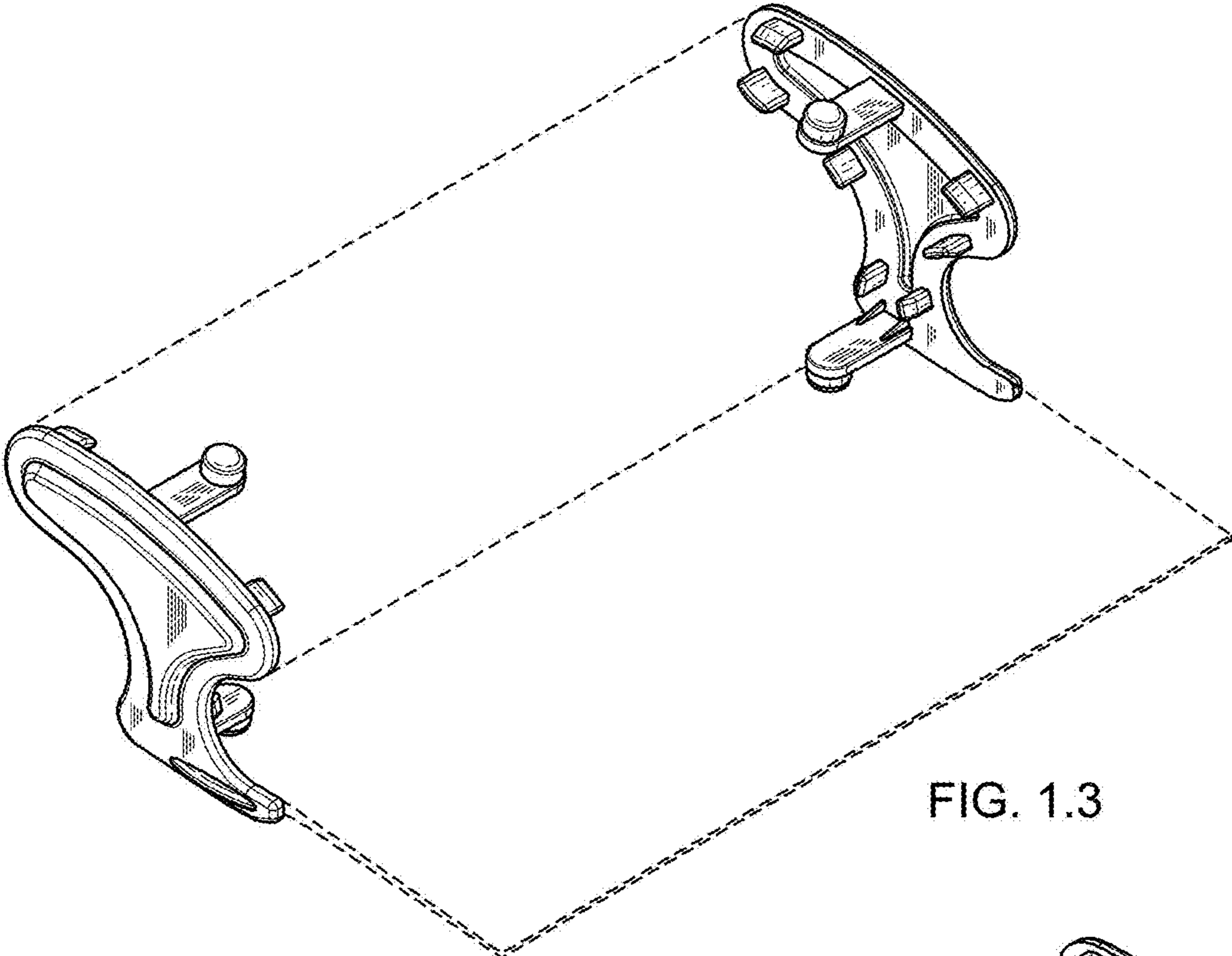


FIG. 1.3

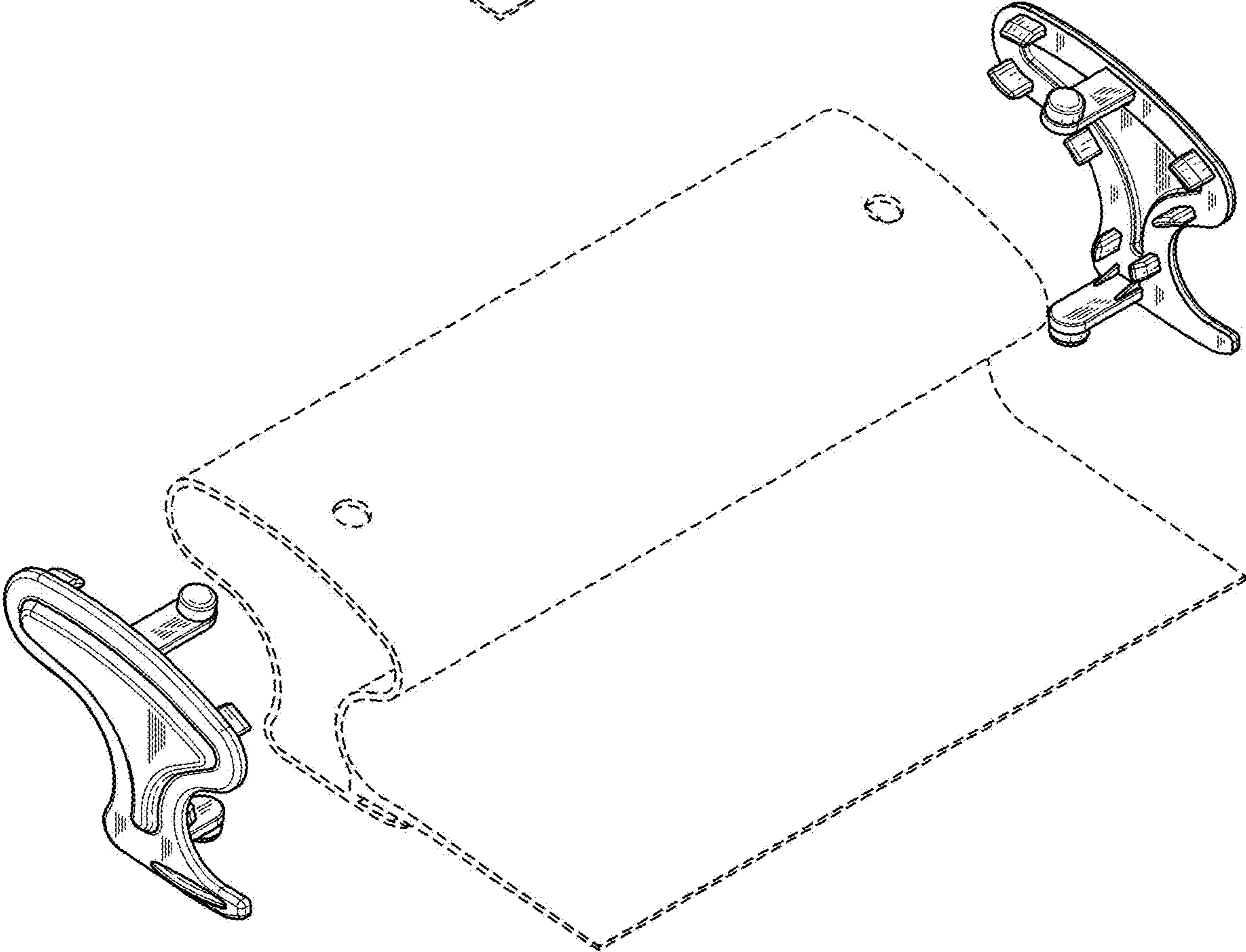


FIG. 1.4

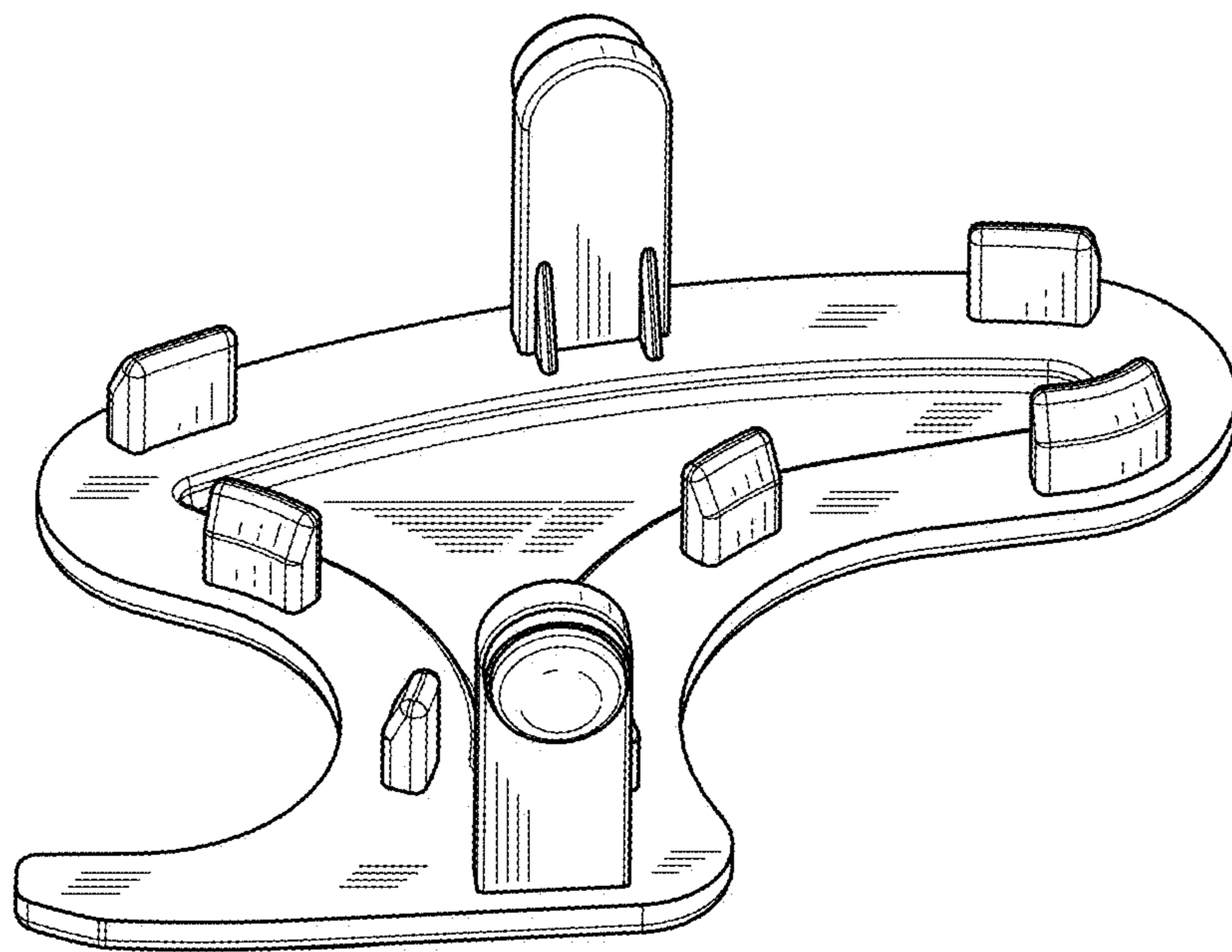


FIG. 1.5

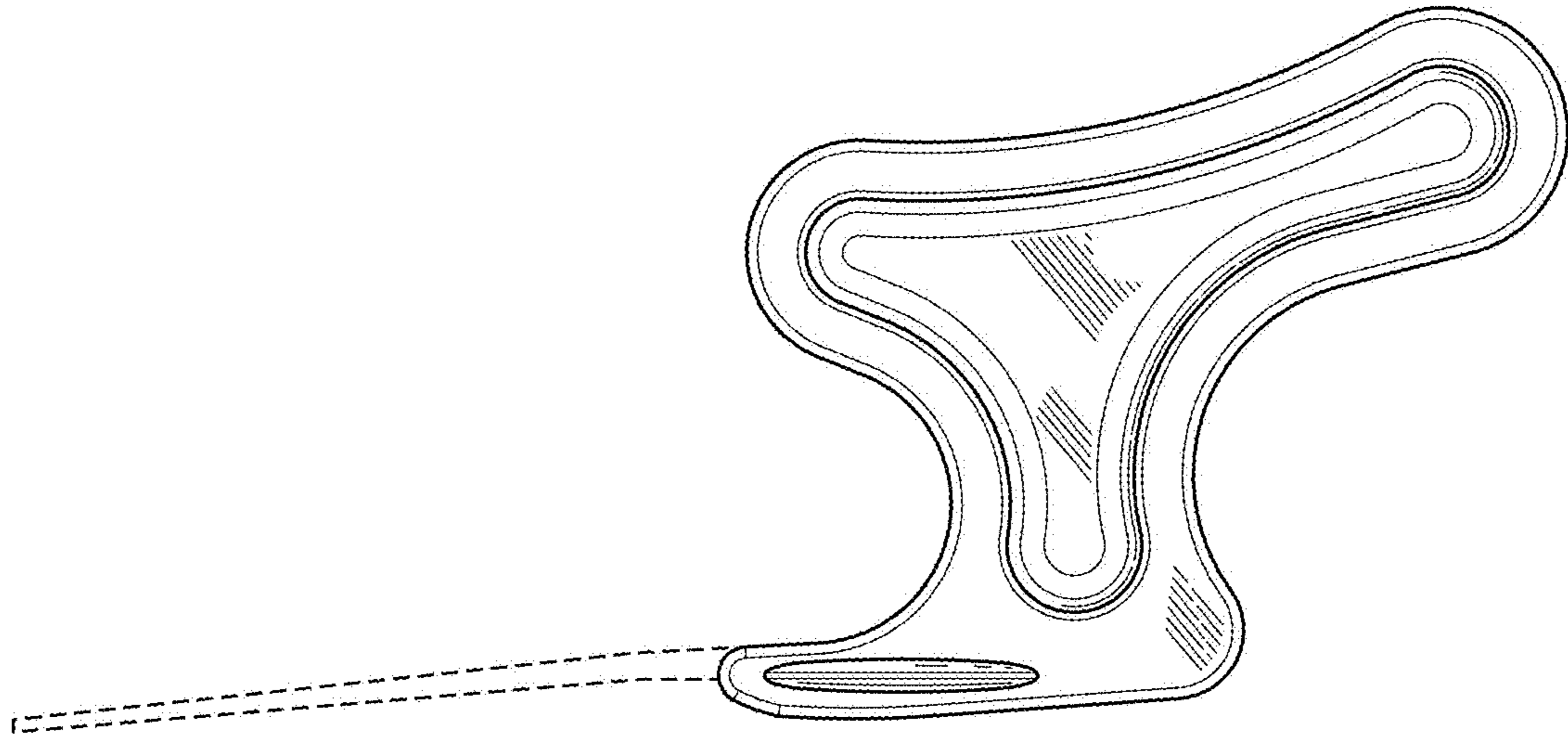


FIG. 2.1

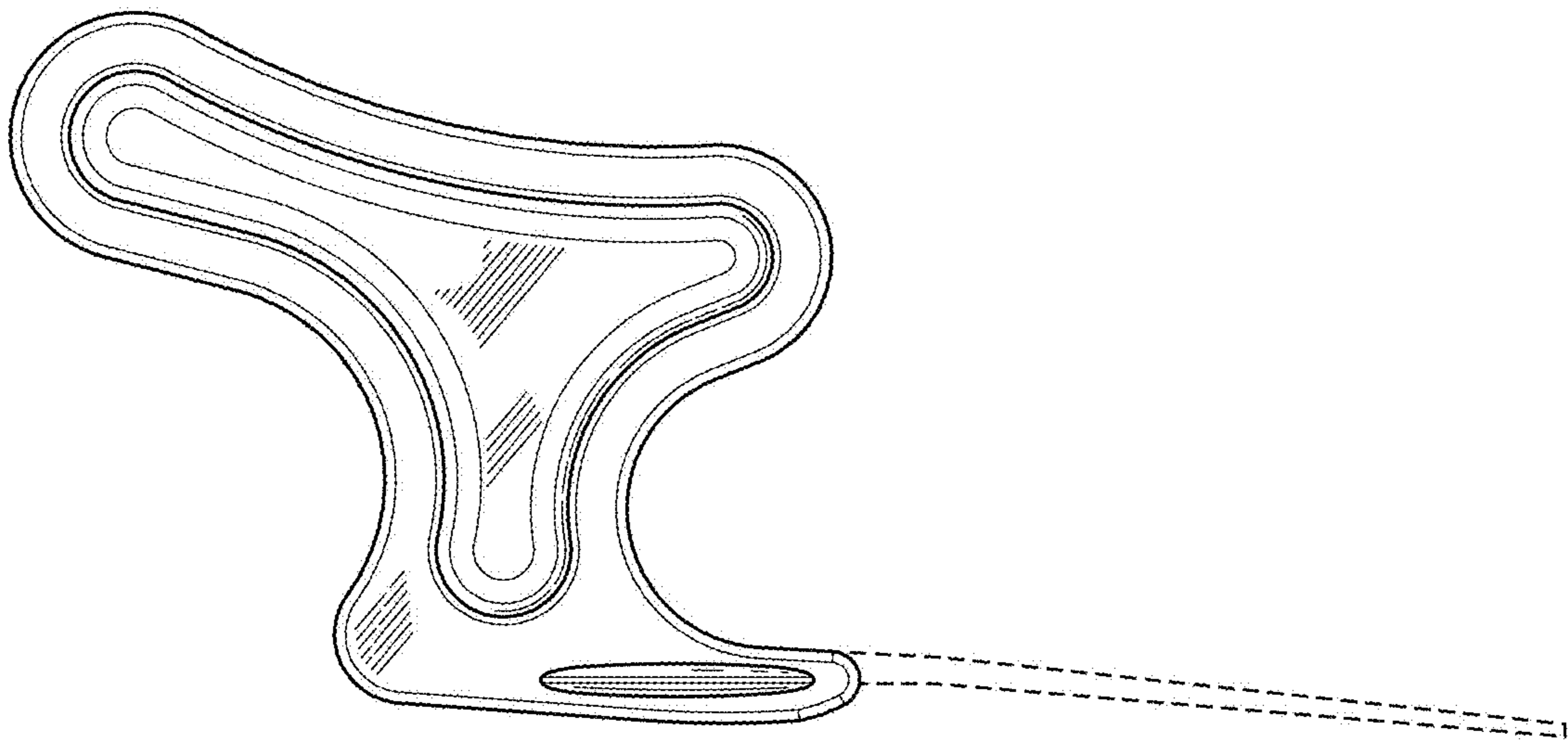


FIG. 2.2

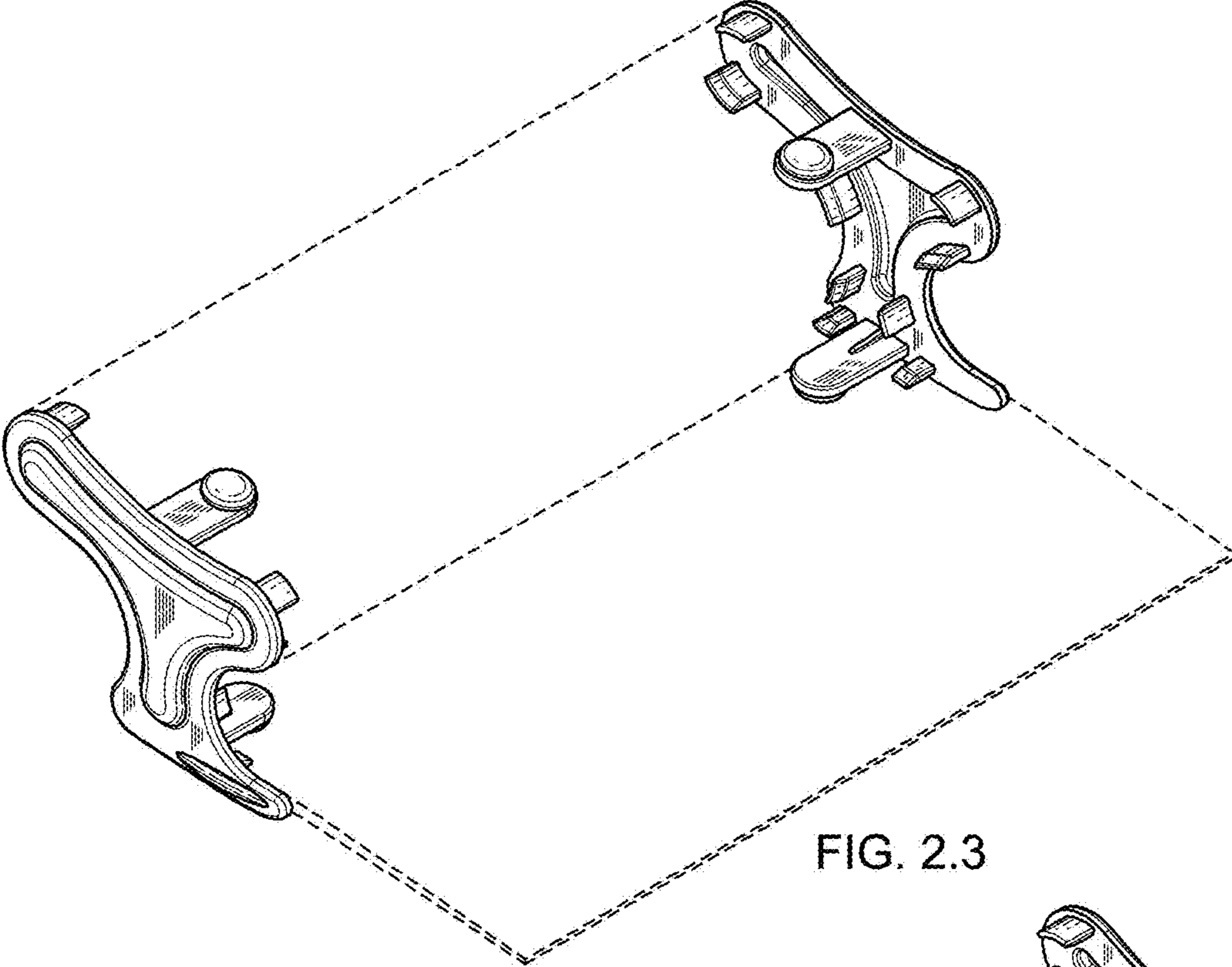


FIG. 2.3

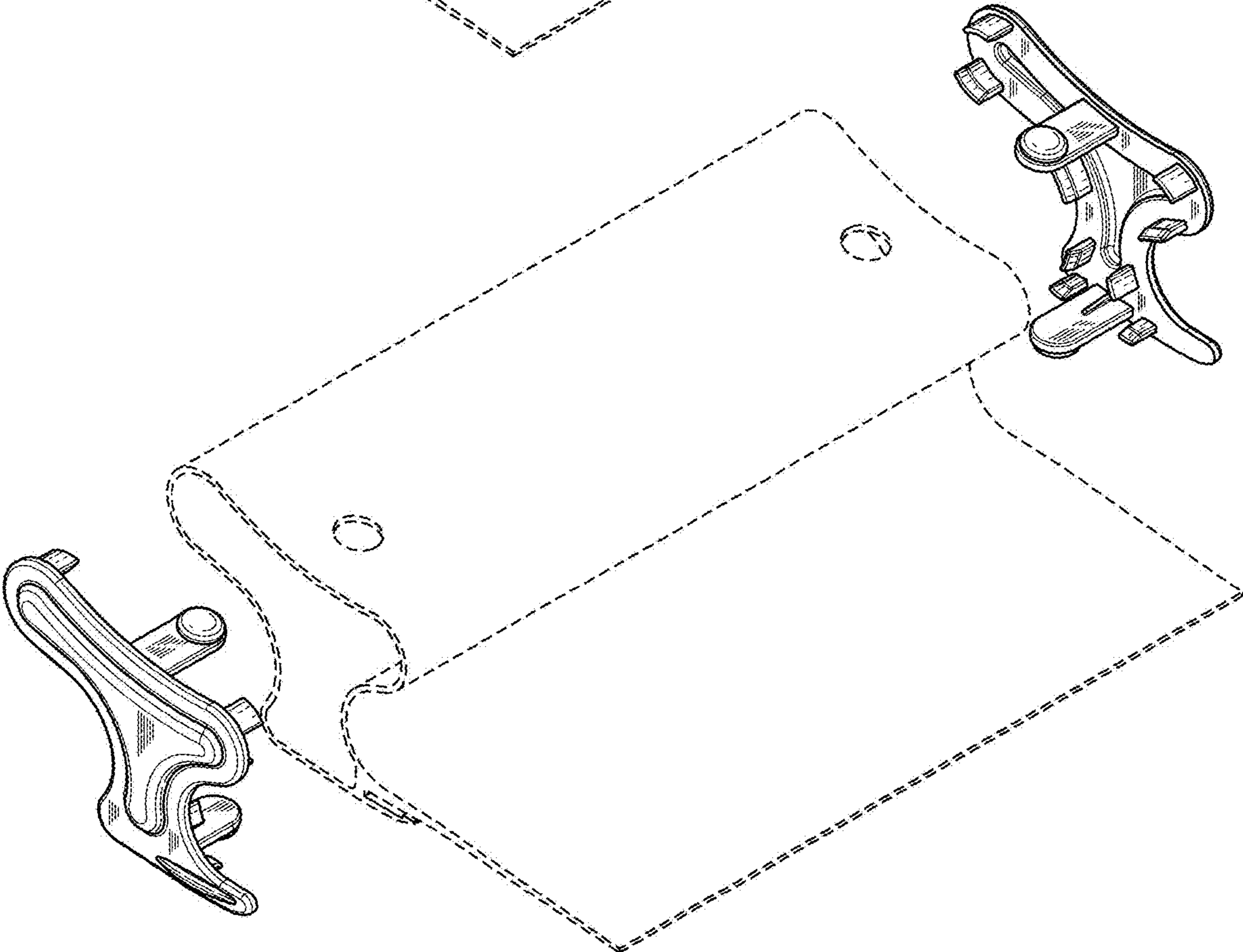


FIG. 2.4

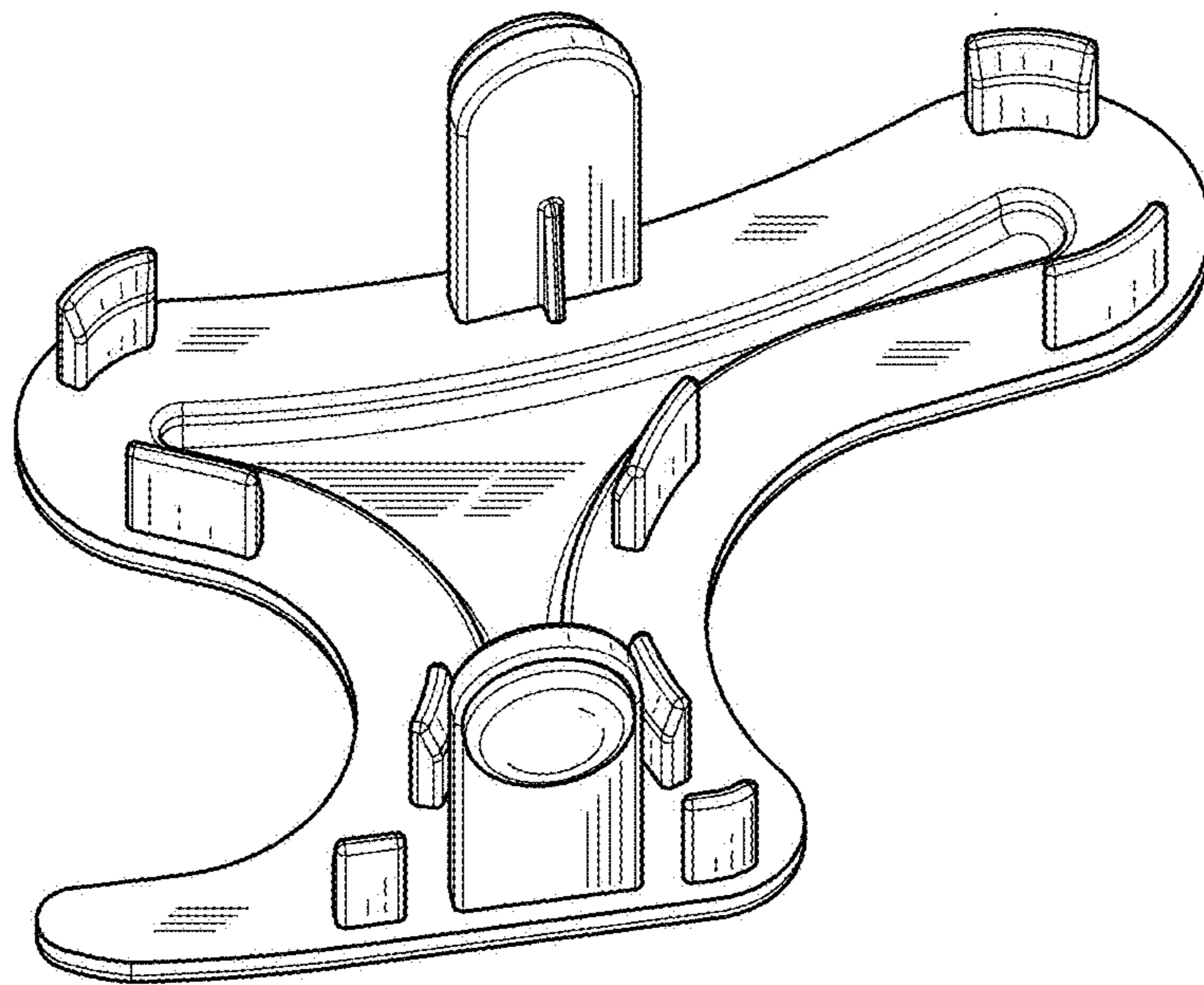


FIG. 2.5