



US00D906776S

(12) **United States Design Patent**
Albertson

(10) **Patent No.:** **US D906,776 S**
(45) **Date of Patent:** **** Jan. 5, 2021**

(54) **COMBINED SOCKET WRENCH AND
MAGNET SOCKET HOLDER**

(71) Applicant: **Robert V. Albertson**, Mound, MN (US)

(72) Inventor: **Robert V. Albertson**, Mound, MN (US)

(73) Assignee: **ALBERTSON ENTERPRISES, LLC**,
Mound, MN (US)

(**) Term: **15 Years**

(21) Appl. No.: **29/742,019**

(22) Filed: **Sep. 16, 2019**

Related U.S. Application Data

(62) Division of application No. 29/646,961, filed on May
8, 2018, now Pat. No. Des. 890,586.

(51) **LOC (13) Cl.** **08-05**

(52) **U.S. Cl.**
USPC **D8/25**

(58) **Field of Classification Search**
USPC D8/17, 21-29
CPC B25B 13/02; B25B 13/08; B25B 13/04;
B25B 13/065; B25B 13/46; B25B 13/463
See application file for complete search history.

(56) **References Cited**

U.S. PATENT DOCUMENTS

- 5,392,672 A * 2/1995 Larson B25B 13/461
81/58.4
- 7,024,968 B2 * 4/2006 Raudabough A61M 5/347
81/121.1
- D544,321 S * 6/2007 Wyss D8/14
- D580,730 S * 11/2008 Gao D8/107

(Continued)

Primary Examiner — Michael A. Pratt

(74) *Attorney, Agent, or Firm* — Richard John Bartz

(57) **CLAIM**

The ornamental design of a combined socket wrench and magnet socket holder, as shown and described.

DESCRIPTION

The patent or patent application contains at least one drawing executed in color. Copies of this patent or patent application publication with color drawing(s) will be proved by the Office upon request and payment of the necessary fee. FIG. 1 is a front elevational view of a first embodiment of the combined socket wrench and magnet holder of my design;

FIG. 2 is a left side view thereof;

FIG. 3 is a right side view thereof;

FIG. 4 is a rear elevational view thereof;

FIG. 5 is a top plan view thereof;

FIG. 6 is a bottom plan view thereof;

FIG. 7 is a sectional view taken along line 7-7 of FIG. 5;

FIG. 8 is a sectional view taken along line 8-8 of FIG. 7;

FIG. 9 is a front elevational view of a second embodiment of the combined socket wrench and magnet socket holder of my design;

FIG. 10 is a left side view of FIG. 9;

FIG. 11 is a right side view of FIG. 9;

FIG. 12 is a rear elevational view of FIG. 9;

FIG. 13 is a top plan view of FIG. 9;

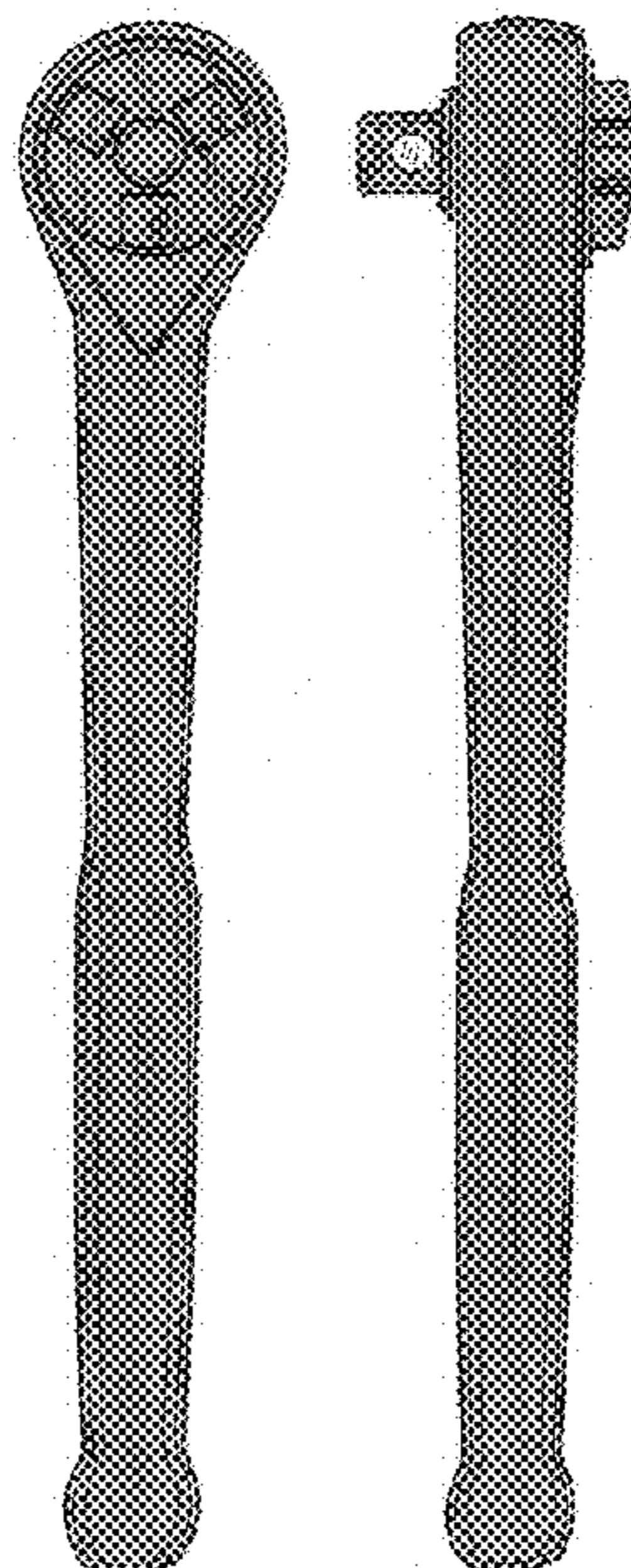
FIG. 14 is a bottom plan view of FIG. 9;

FIG. 15 is a sectional view taken along line 15-15 of FIG. 13; and,

FIG. 16 is a sectional view taken along line 16-16 of FIG. 15.

The combined socket wrench and magnet socket holders shown in FIGS. 1 to 8 include the color gold. The outer surfaces of the socket wrench have a coating of titanium nitride.

1 Claim, 4 Drawing Sheets
(2 of 4 Drawing Sheet(s) Filed in Color)



(56)

References Cited

U.S. PATENT DOCUMENTS

D603,235 S * 11/2009 Ruzicka D8/28
D665,639 S * 8/2012 Albertson D8/25
D670,984 S * 11/2012 Albertson D8/25
8,434,390 B2 * 5/2013 Cross B25B 13/44
81/63.1
D760,565 S * 7/2016 Tempelmeier D8/21
D822,448 S * 7/2018 Albertson D8/25
D890,586 S * 7/2020 Albertson D8/25
2013/0081518 A1 * 4/2013 Scheid B28D 1/146
81/58.2
2019/0076995 A1 * 3/2019 Albertson B25B 13/462

* cited by examiner

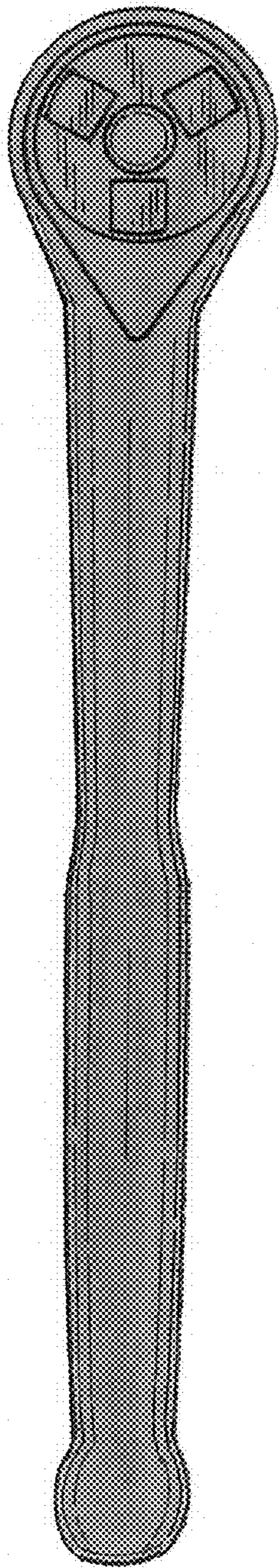


FIG. 1

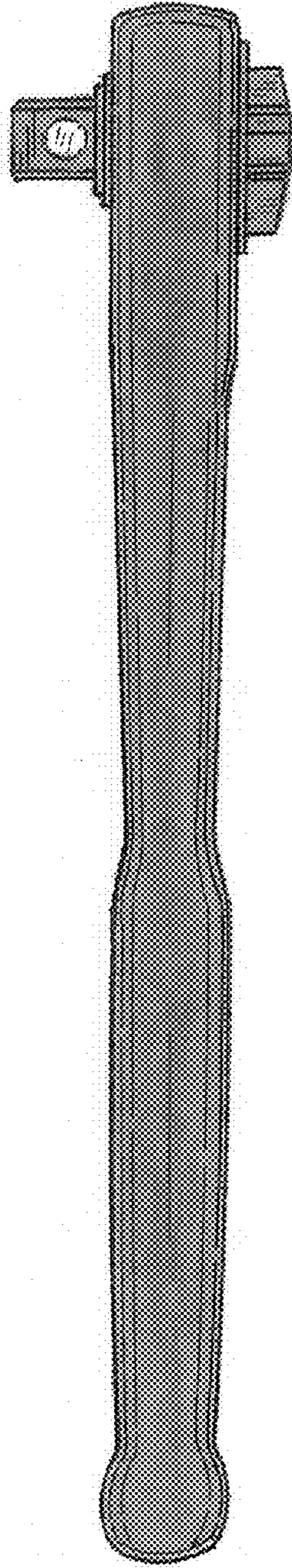


FIG. 2

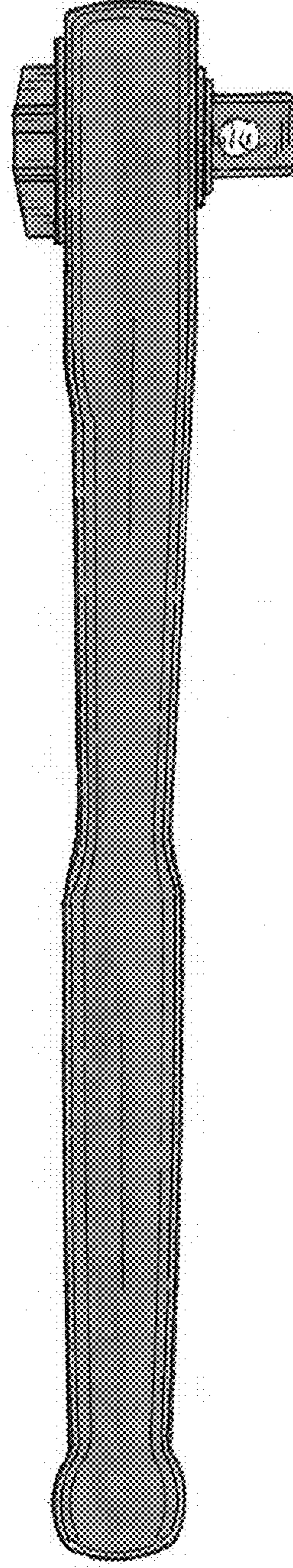


FIG. 3

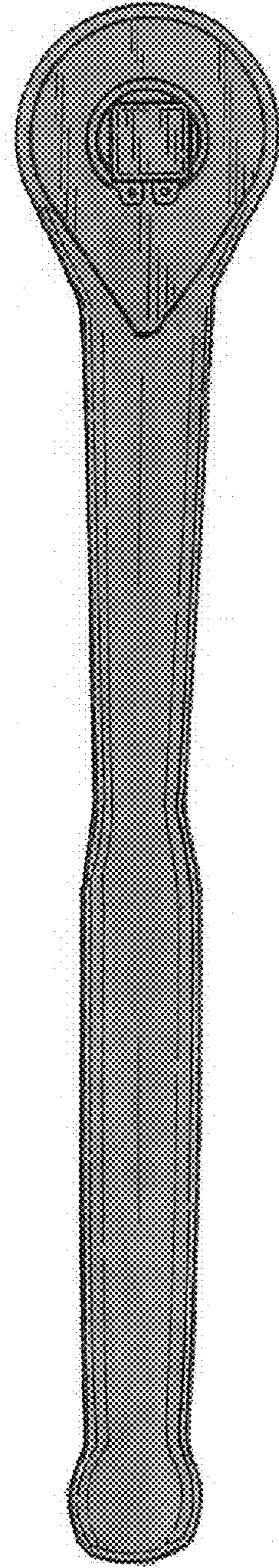


FIG. 4

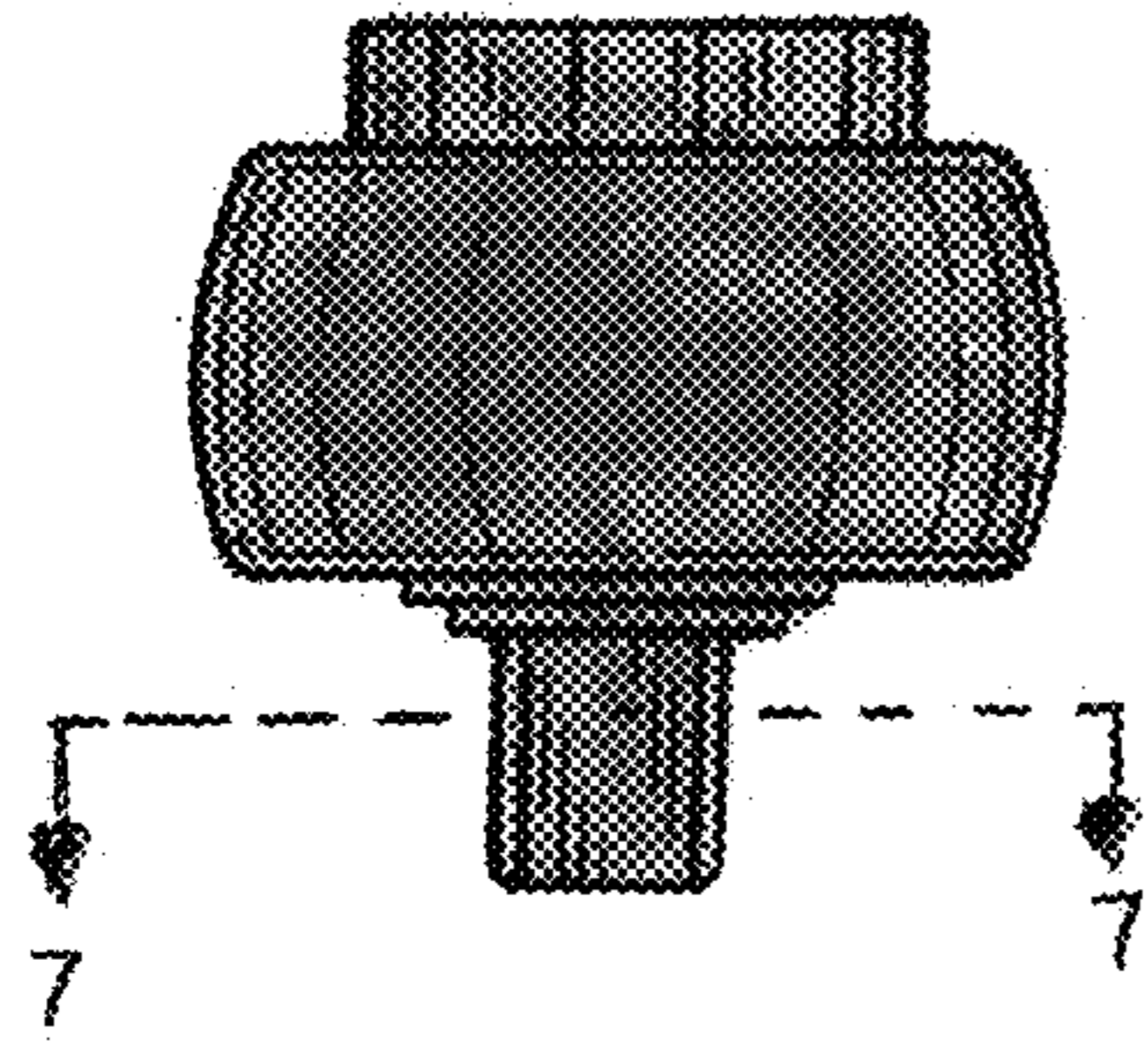


FIG. 5

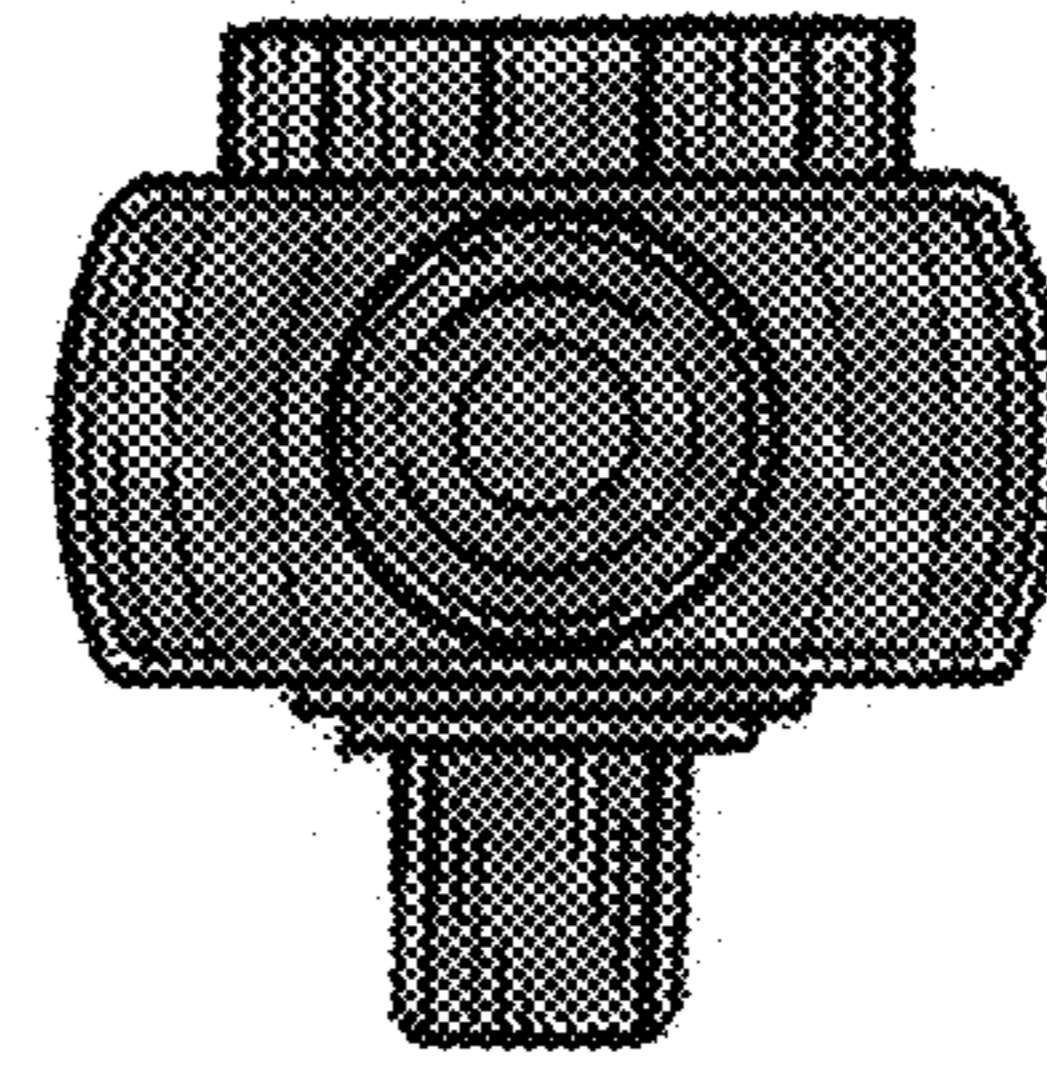


FIG. 6

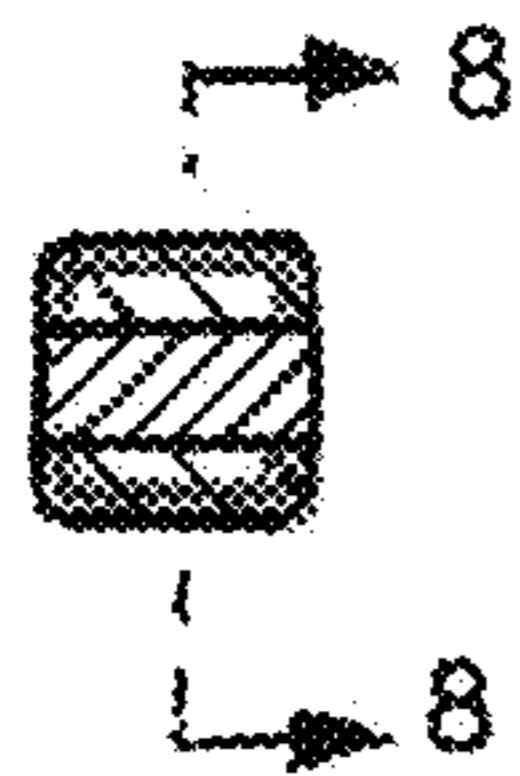


FIG. 7



FIG. 8

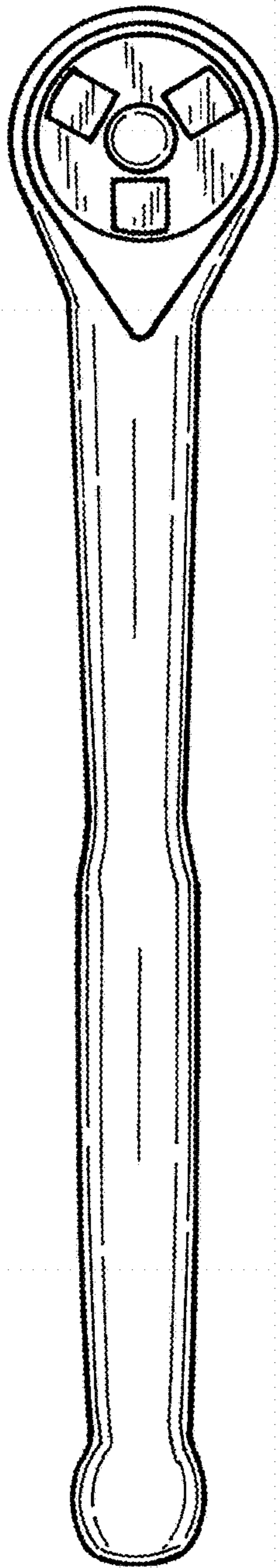


FIG. 9

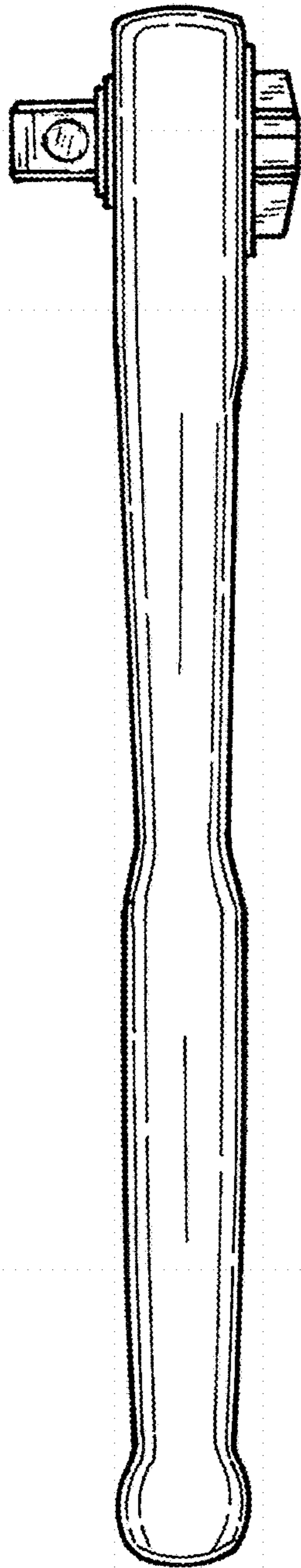


FIG. 10

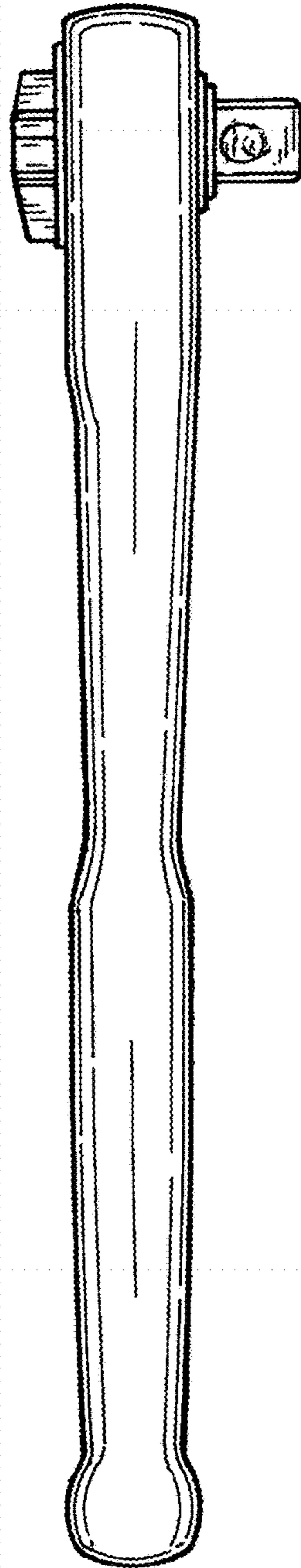


FIG. 11

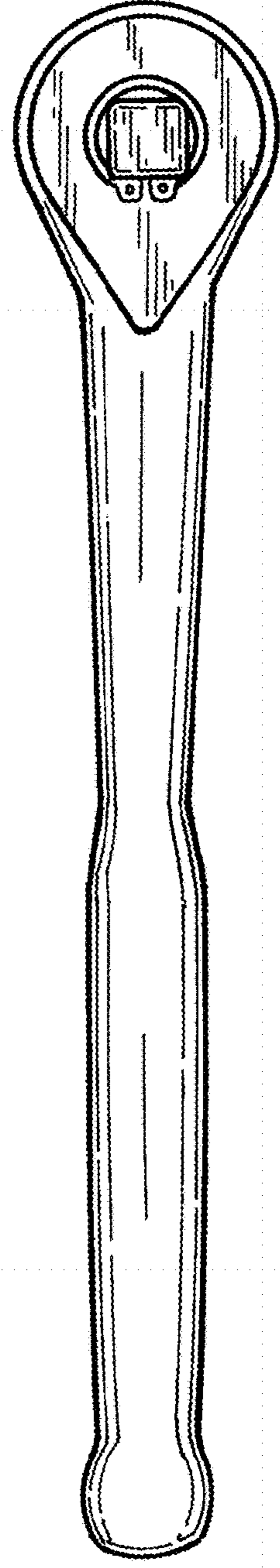


FIG. 12

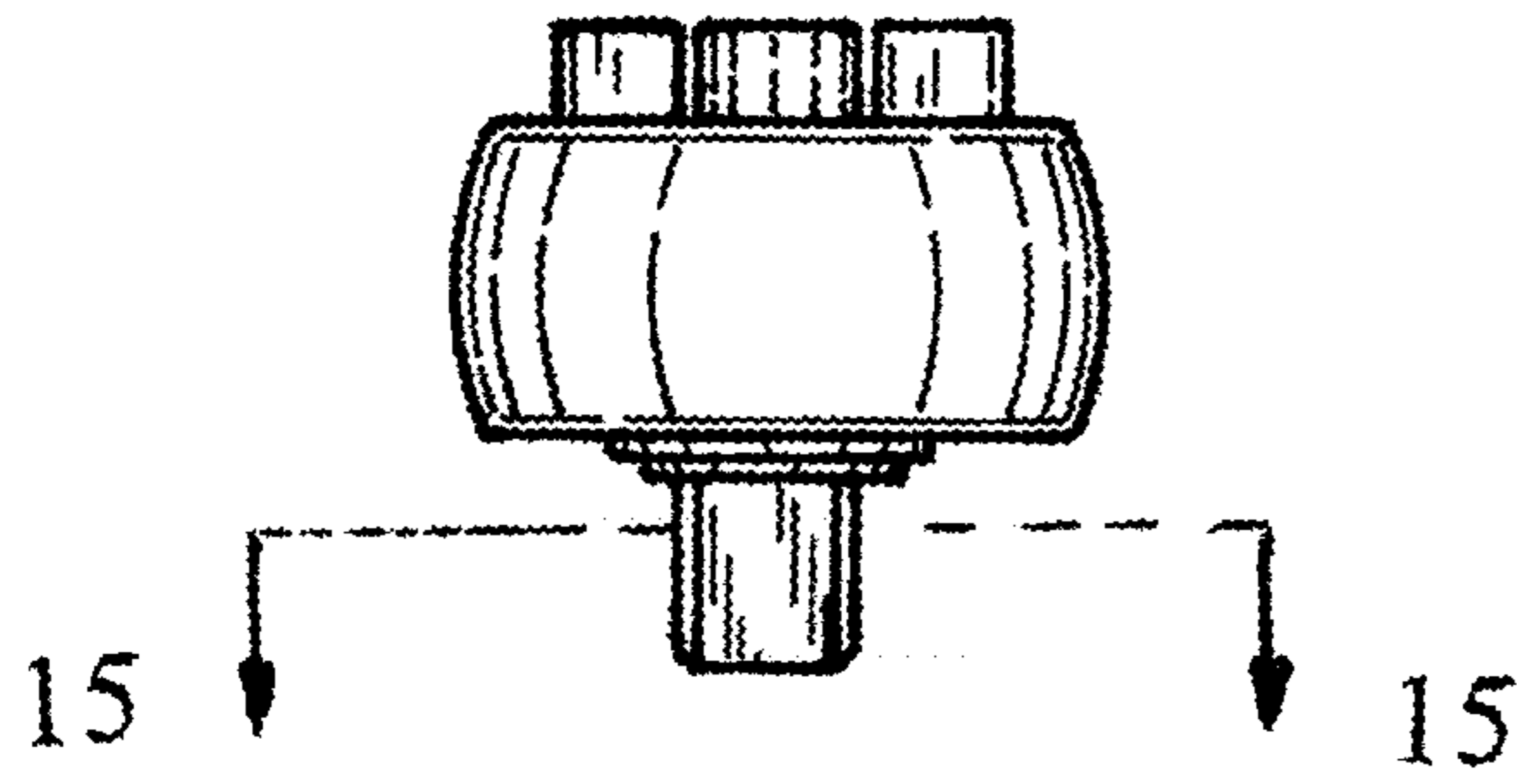


FIG. 13

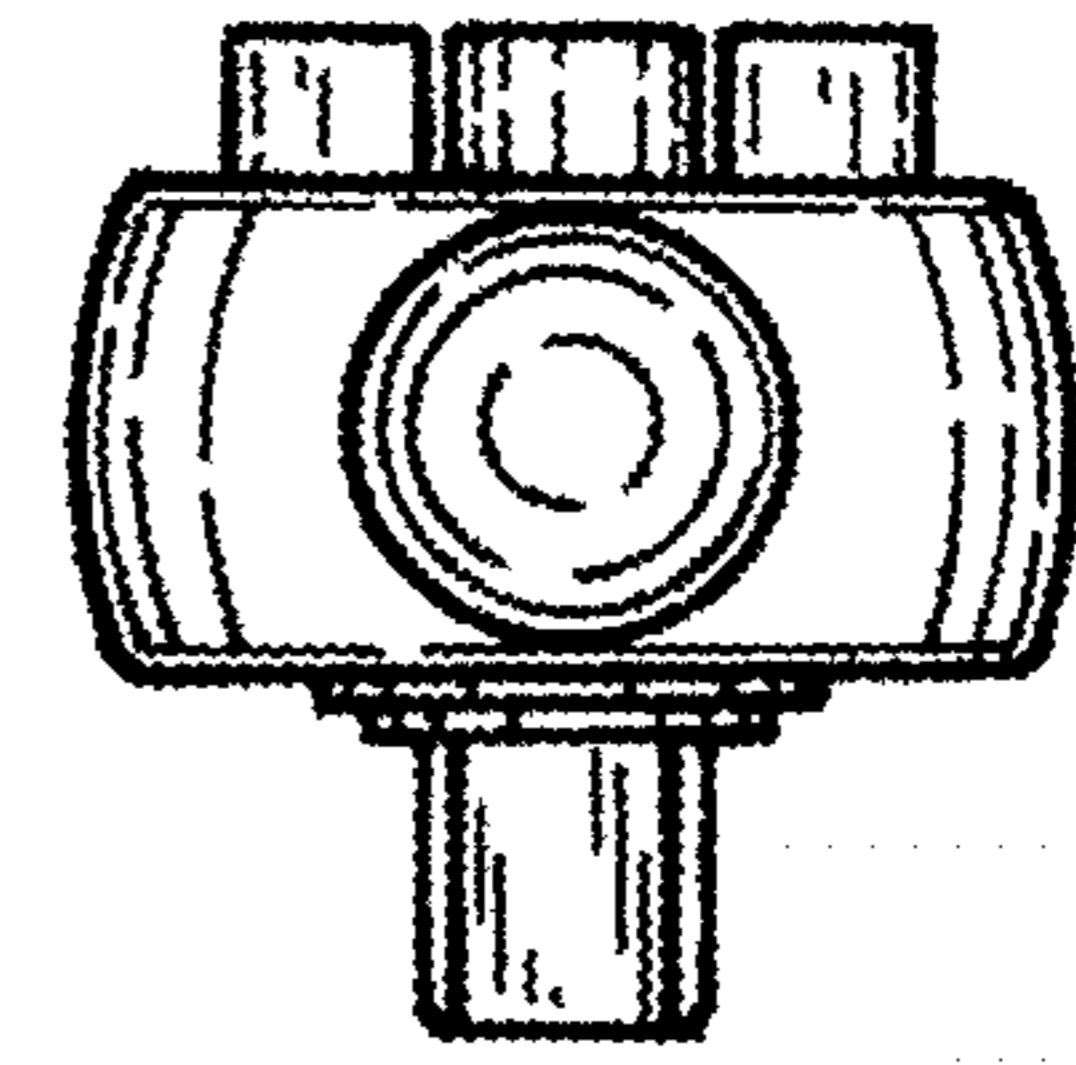


FIG. 14

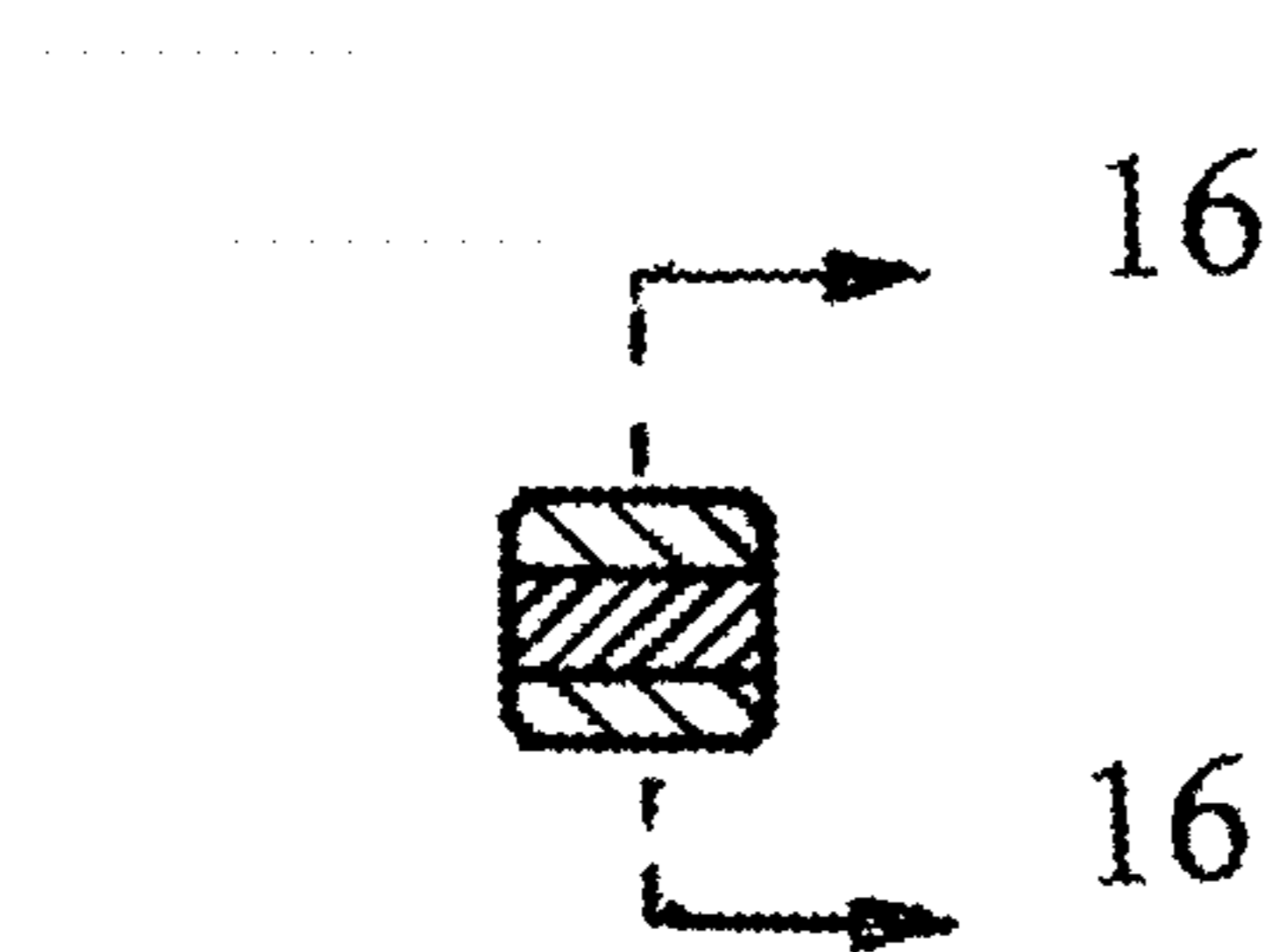


FIG. 15



FIG. 16