

US00D906774S

(12) **United States Design Patent**
Yeh

(10) **Patent No.:** **US D906,774 S**

(45) **Date of Patent:** **** Jan. 5, 2021**

(54) **GRASS CLIPPER**

(71) Applicant: **Ling-Ling Yeh, Yuanlin (TW)**

(72) Inventor: **Ling-Ling Yeh, Yuanlin (TW)**

(**) Term: **15 Years**

(21) Appl. No.: **29/673,690**

(22) Filed: **Dec. 17, 2018**

(51) **LOC (13) Cl.** **08-03**

(52) **U.S. Cl.**
USPC **D8/5**

(58) **Field of Classification Search**
USPC D8/5, 7, 51, 52
CPC A01G 3/065; B26B 13/12
See application file for complete search history.

(56) **References Cited**

U.S. PATENT DOCUMENTS

- 3,064,351 A * 11/1962 Ferenc A01G 3/065
30/248
- 3,641,669 A * 2/1972 Keiser, Jr. A01G 3/065
30/260

- D306,120 S * 2/1990 Ishida D8/5
- 6,662,451 B1 * 12/2003 Cheng A01G 3/0475
30/177
- D522,322 S * 6/2006 Cirillo A01G 3/065
D8/5
- D679,559 S * 4/2013 Masalin D8/5

* cited by examiner

Primary Examiner — Sheryl Lane
Assistant Examiner — Calvin E Vansant

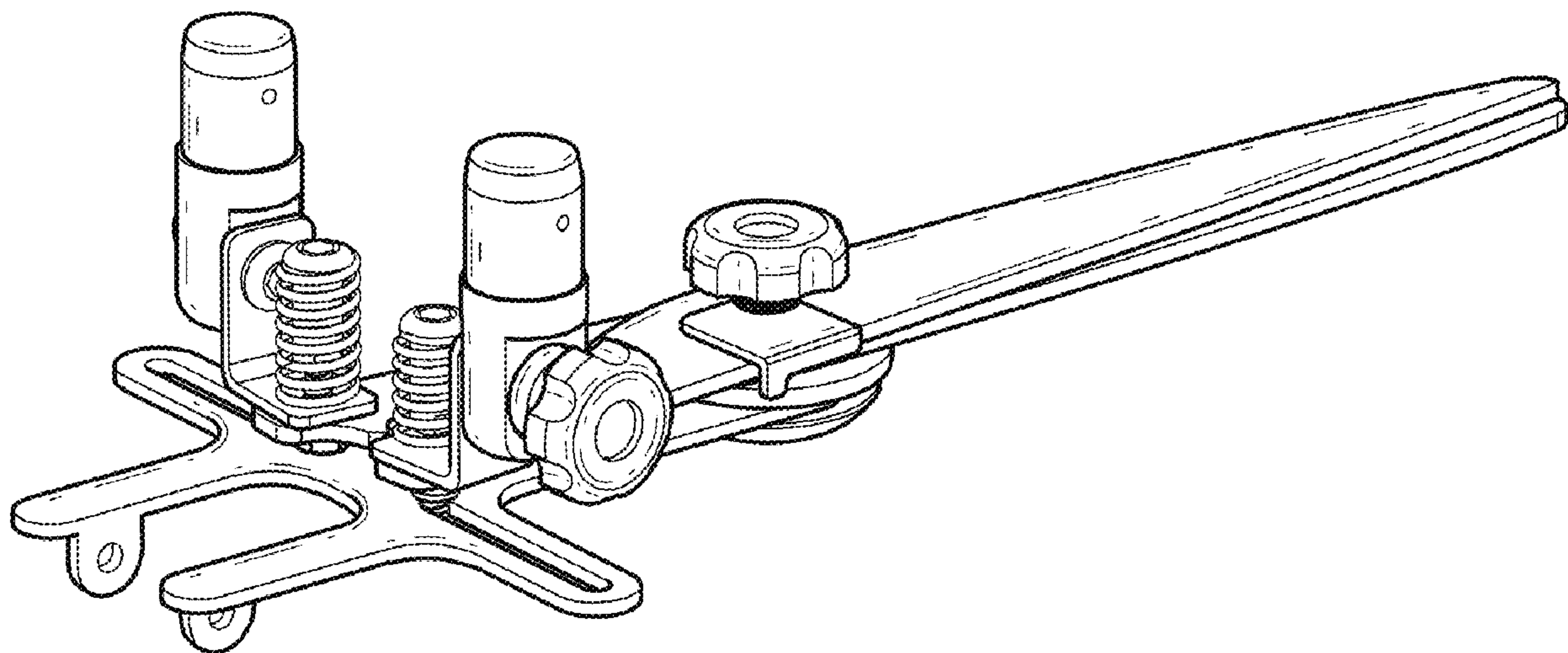
(57) **CLAIM**

The ornamental design for a grass clipper, as shown and described.

DESCRIPTION

FIG. 1 is a perspective view of a grass clipper showing my new design;
FIG. 2 is a front elevational view thereof;
FIG. 3 is a rear elevational view thereof;
FIG. 4 is a left side elevational view thereof;
FIG. 5 is a right side elevational view thereof;
FIG. 6 is a top plan view thereof; and,
FIG. 7 is a bottom plan view thereof.

1 Claim, 4 Drawing Sheets



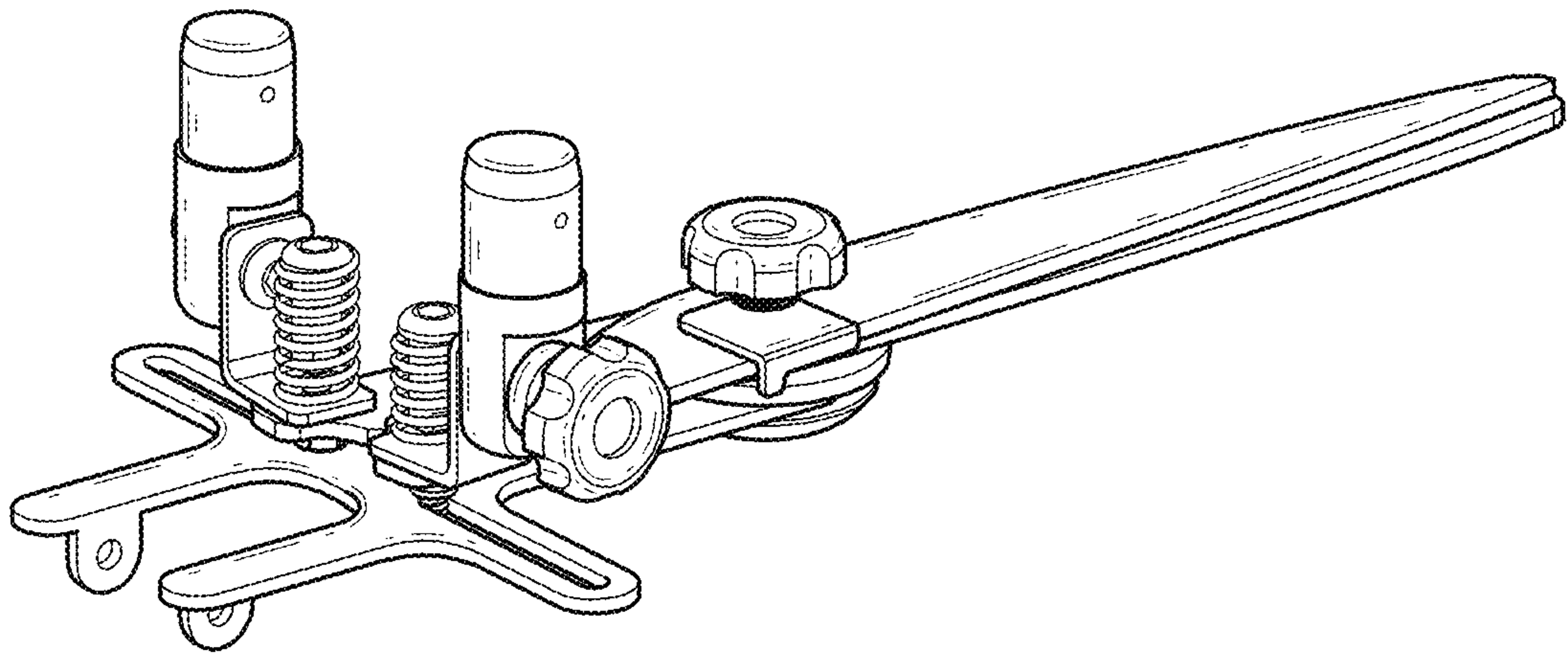


FIG. 1

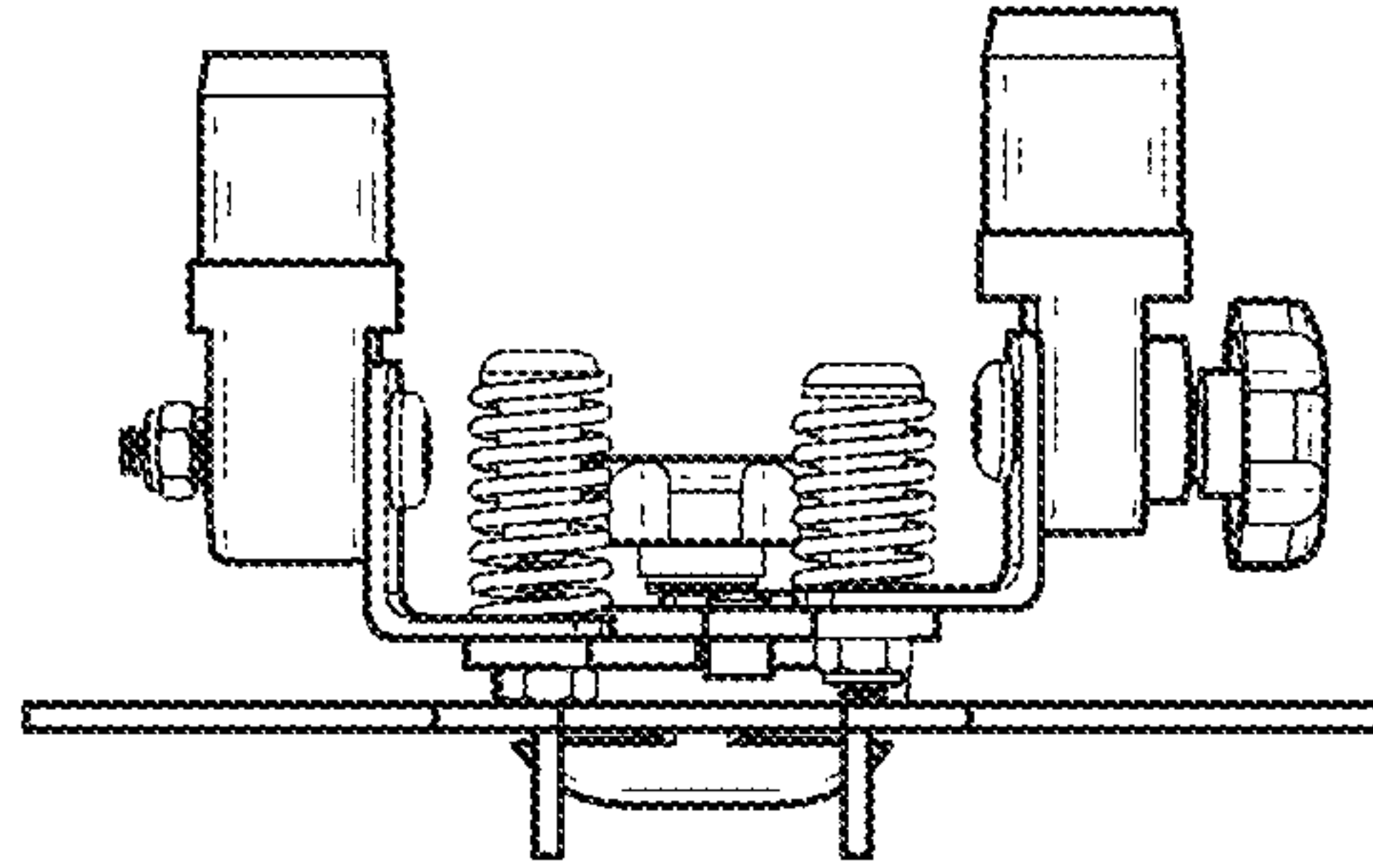


FIG. 2

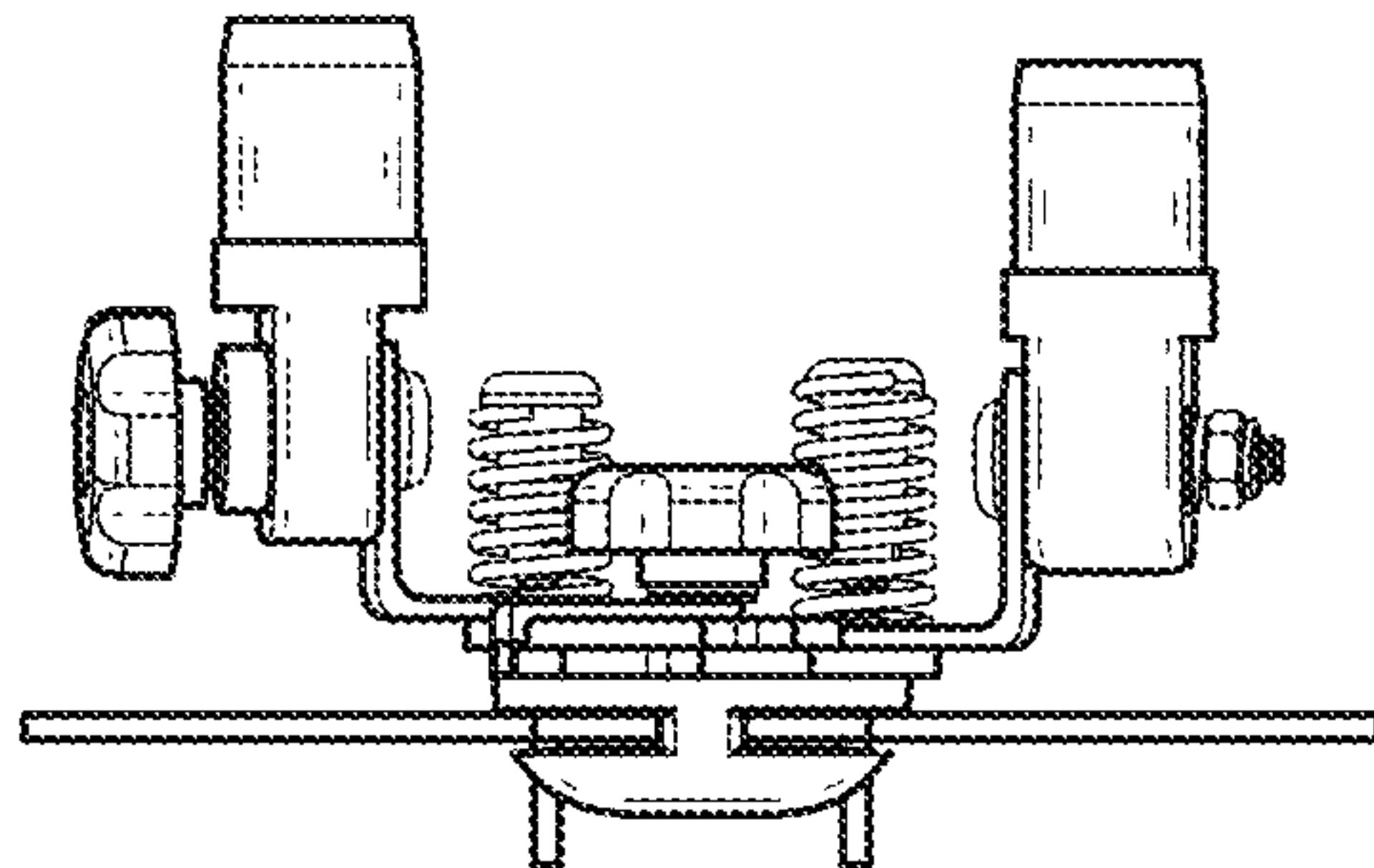


FIG. 3

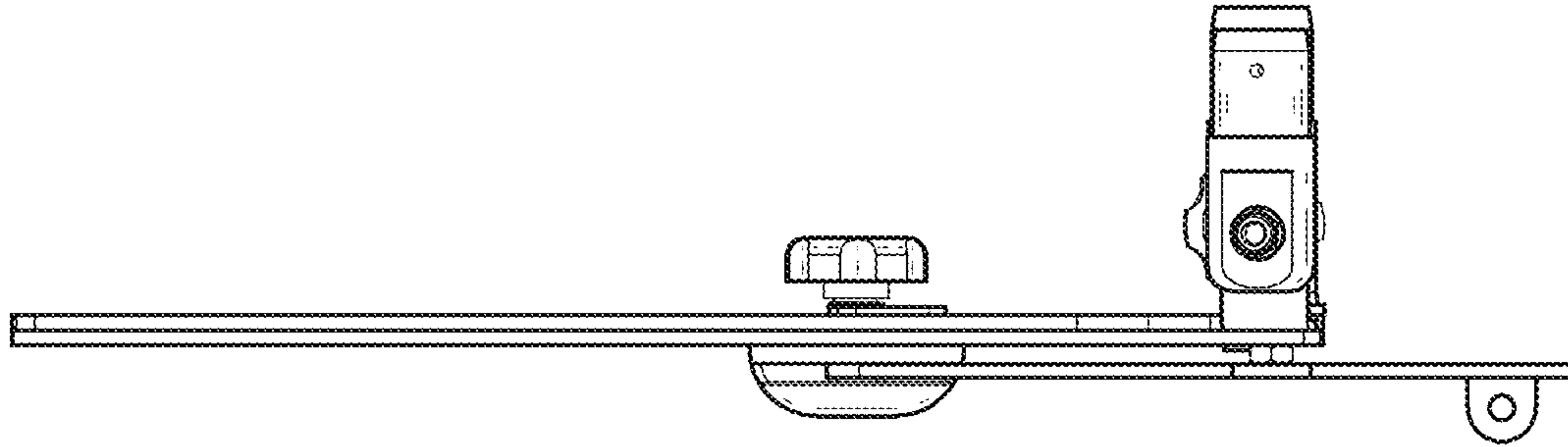


FIG. 4

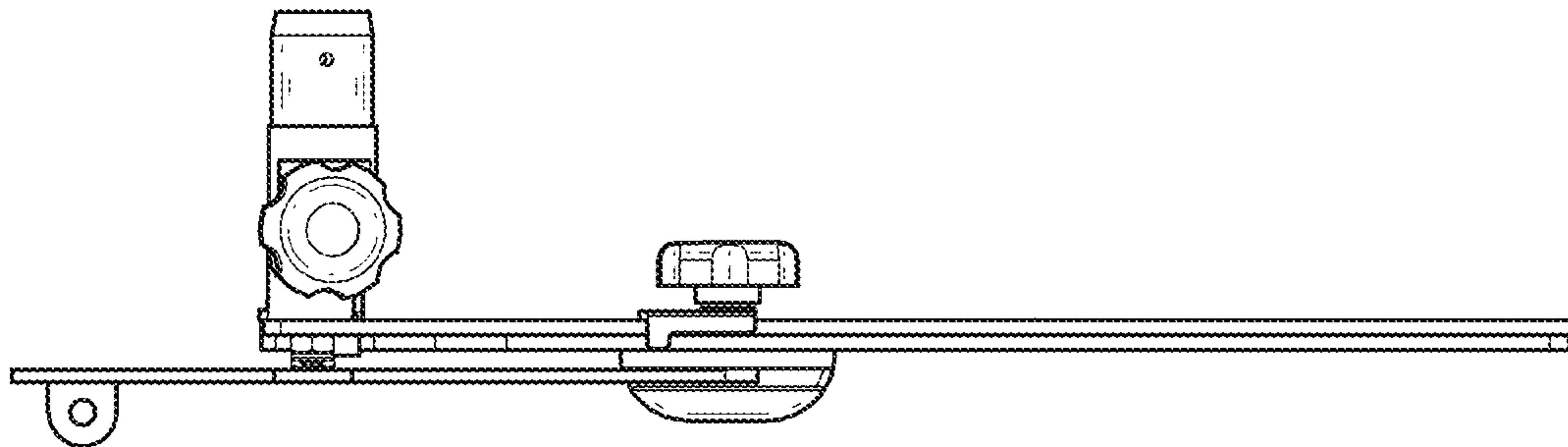


FIG. 5

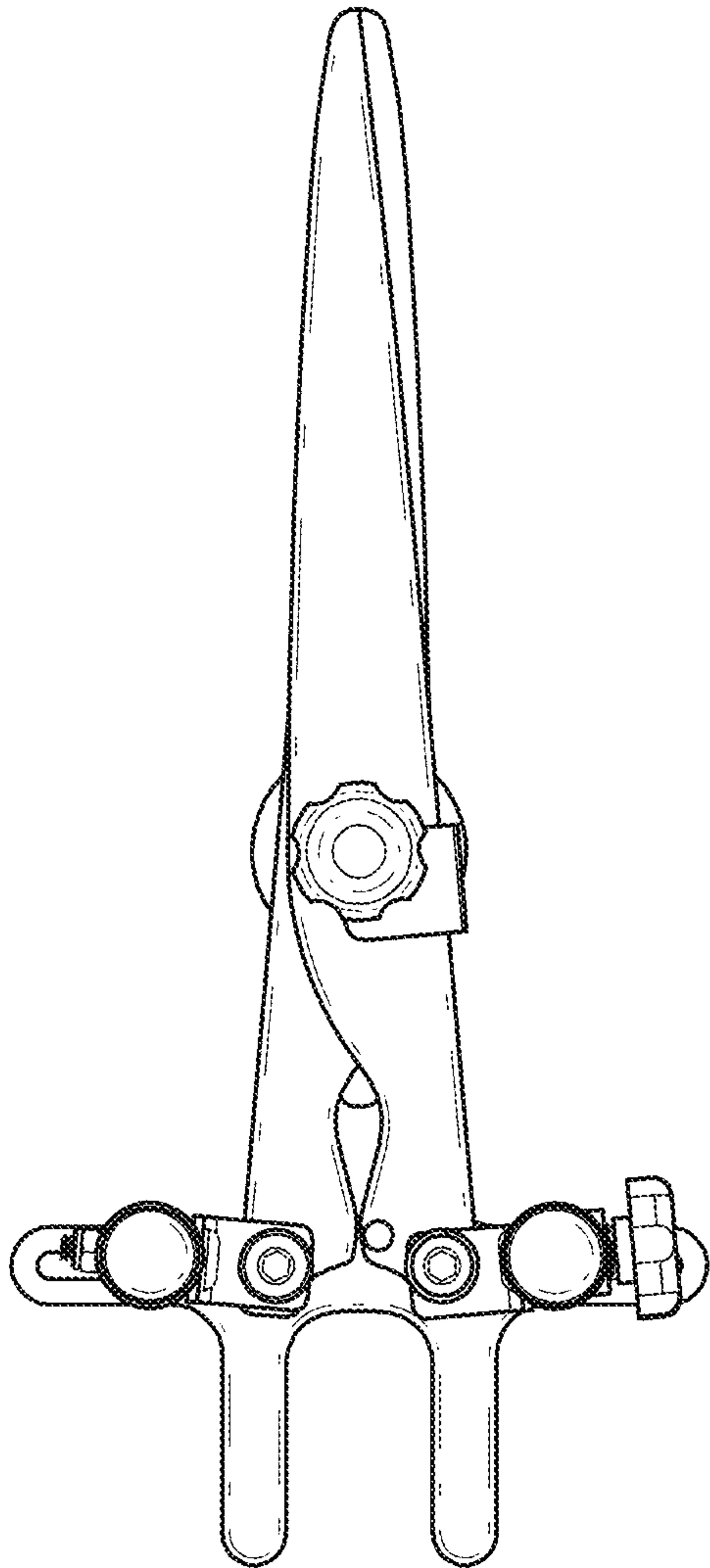


FIG. 6

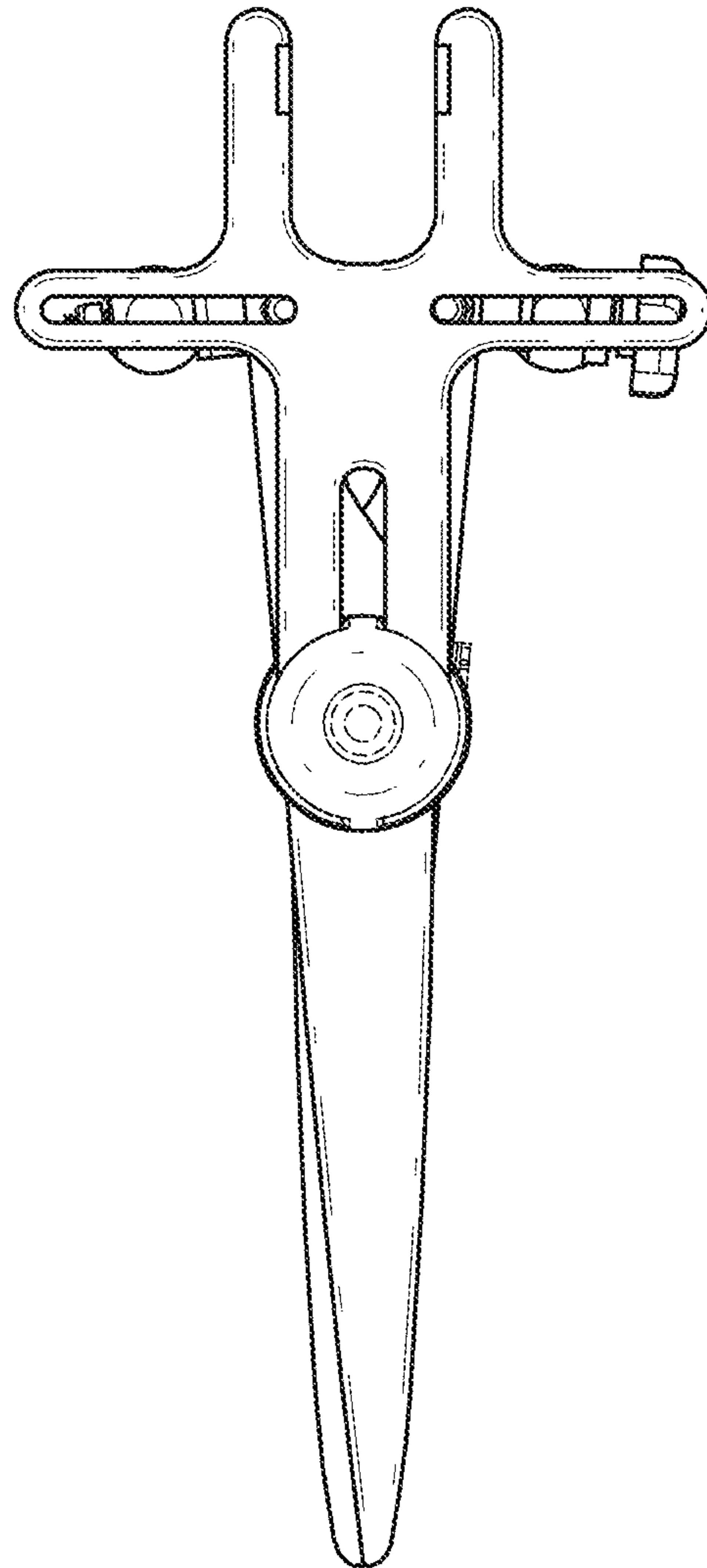


FIG. 7