



US00D906772S

(12) **United States Design Patent** (10) **Patent No.:** **US D906,772 S**
Jacobs (45) **Date of Patent:** **** Jan. 5, 2021**

(54) **SCOOP FOR A CONTAINER CLOSURE**
(71) Applicant: **TricorBraun Inc.**, St. Louis, MO (US)
(72) Inventor: **Tim Jacobs**, Schaumburg, IL (US)
(73) Assignee: **TricorBraun Inc.**, St. Louis, MO (US)
(**) Term: **15 Years**

5,918,922 A * 7/1999 Lathrop G01F 19/002
294/180
D417,629 S * 12/1999 Weterrings D10/46.2
D492,605 S * 7/2004 Mastroianni D10/46.2
D567,600 S * 4/2008 Matsumura D10/46.2
D589,379 S * 3/2009 Zerlin D10/46.2
D620,769 S * 8/2010 Mangin D7/691
D666,505 S * 9/2012 De Leo D10/46.2
D766,678 S * 9/2016 Kestenbaum D10/46.3

(Continued)

(21) Appl. No.: **29/674,212**
(22) Filed: **Dec. 20, 2018**
(51) **LOC (13) Cl.** **07-02**
(52) **U.S. Cl.**
USPC **D7/691**
(58) **Field of Classification Search**
USPC D7/619.1, 619.2, 620, 621, 622, 358,
D7/368, 393, 395, 397, 398, 387, 392,
D7/392.1, 412, 313, 669, 688-692;
D9/415, 436, 439, 440, 446, 447, 455,
D9/457, 715, 717, 718, 722; D10/46.2,
D10/46.3; D24/127-131, 112-114, 133,
D24/186, 146, 194, 231; D30/162
CPC A47F 13/08; A47F 7/19; A47F 7/24; A47F
2007/195; A47G 21/02; A47G 21/04;
A47G 25/00; A47G 25/06; A47G 25/64;
G01F 19/00; G01F 19/002; A61J 7/0046;
A61J 7/0023; A47B 96/04; A47B 96/06;
A47B 96/14; A47B 47/0041; A47B
57/265; A47B 57/00; B65D 43/10; B65D
77/245
See application file for complete search history.

FOREIGN PATENT DOCUMENTS

WO WO-2013026019 A1 * 2/2013 G01F 19/002

OTHER PUBLICATIONS

Simple Human Pet Food Bin: Announced [Jun. 17, 2015 [online].
Site Visited [Feb. 9, 2020]. Available from Internet URL: <https://www2.simplehuman.com/eu/x-large-pet-food-can-fingerprint-proof-brushed-stainless-steel>.*

Primary Examiner — Catherine S Posthauer
(74) *Attorney, Agent, or Firm* — Husch Blackwell LLP

(57) **CLAIM**

I claim the ornamental design for a scoop for a container closure, as shown and described.

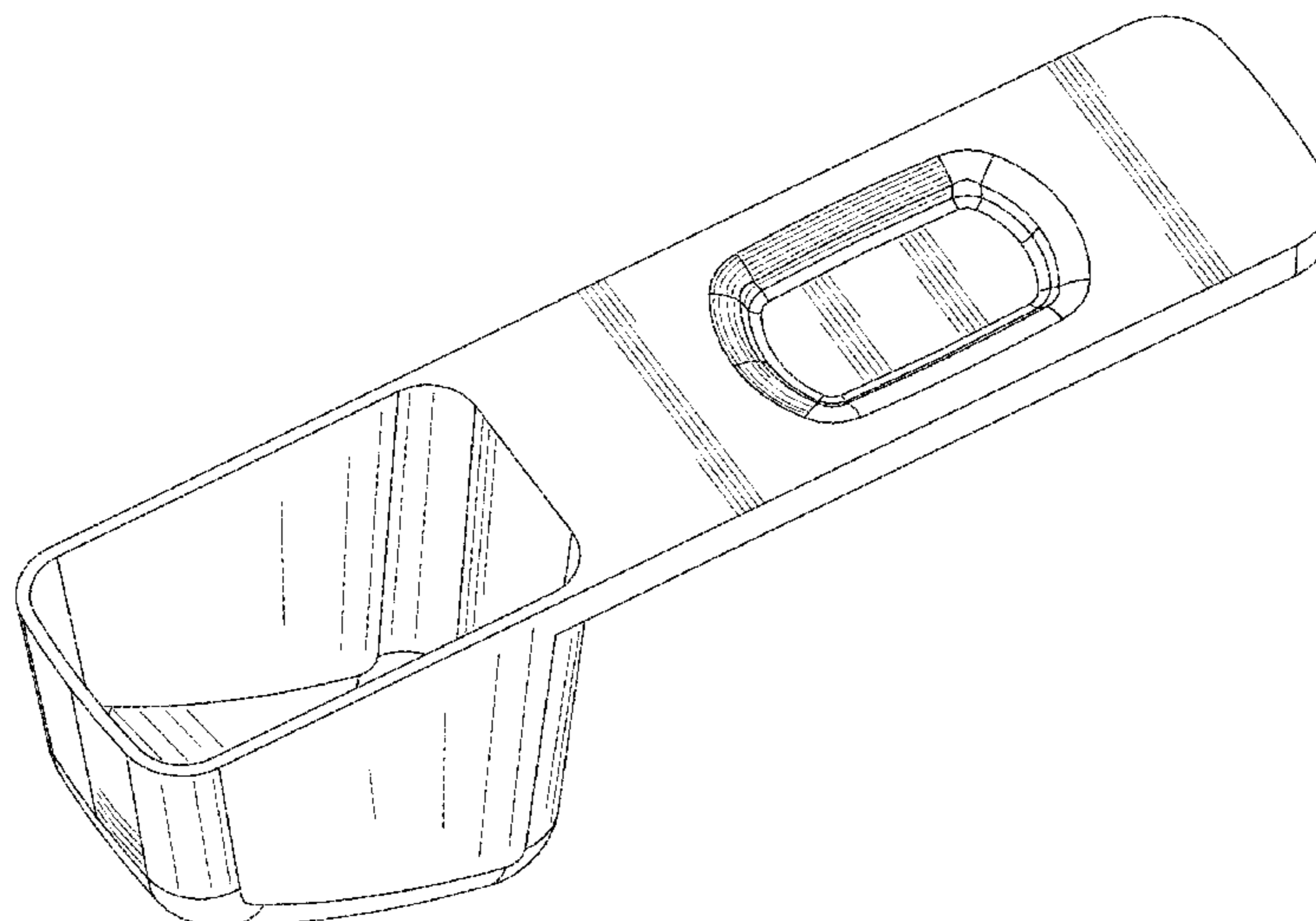
DESCRIPTION

FIG. 1 is a perspective view of a scoop showing the new design;
FIG. 2 is a top view thereof;
FIG. 3 is a left elevation view thereof, the right elevation view being a mirror image thereof;
FIG. 4 is a front elevation view thereof;
FIG. 5 is a rear elevation view thereof; and,
FIG. 6 is a bottom plan view thereof.
The evenly broken lines are shown for the purpose of illustrating parts of the article that form no part of the claim. The dot-dash lines describe the boundaries of the claim and form no part thereof.

(56) **References Cited**
U.S. PATENT DOCUMENTS

D297,202 S * 8/1988 Zumwalt D7/667
D321,305 S * 11/1991 Underwood D10/46.2
D331,023 S * 11/1992 Mulry 141/108
5,347,865 A * 9/1994 Mulry B65D 33/1625
24/30.5 S
D403,211 S * 12/1998 Weterrings D7/691
D403,256 S * 12/1998 Weterrings D10/46.3

1 Claim, 3 Drawing Sheets



(56)

References Cited

U.S. PATENT DOCUMENTS

D787,956 S * 5/2017 Wiggins G01F 19/002
D10/46.2
D821,198 S * 6/2018 Arnold D9/436
D823,076 S * 7/2018 Riedel D7/691
D842,664 S * 3/2019 Arnold D7/691
D862,999 S * 10/2019 Riedel D7/691
2010/0308065 A1* 12/2010 Vandamme B65D 43/169
220/697
2010/0326848 A1* 12/2010 Mangin B65D 33/1658
206/216
2010/0326851 A1* 12/2010 Mangin B65D 33/1616
206/229

* cited by examiner

FIG. 1

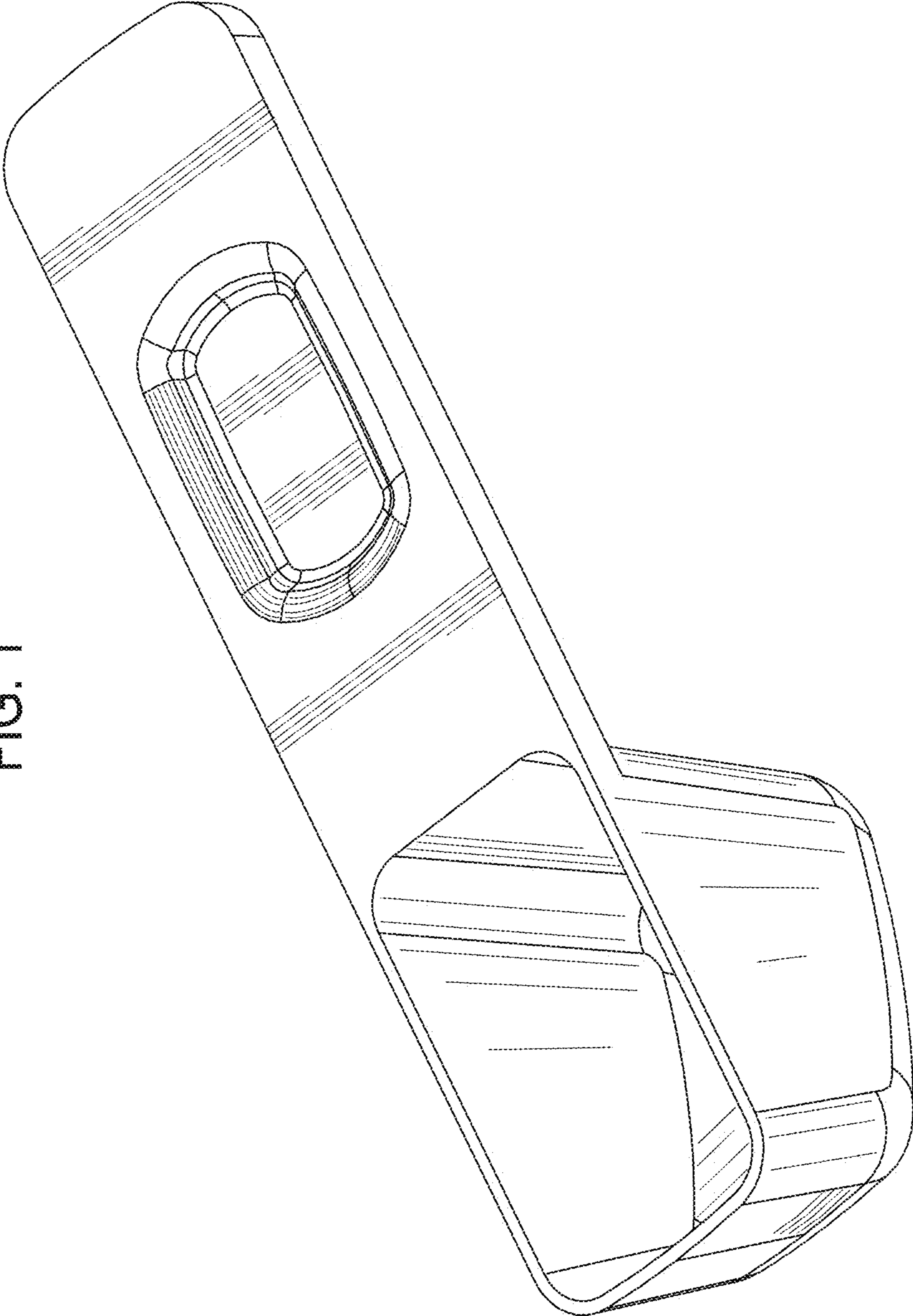


FIG. 2

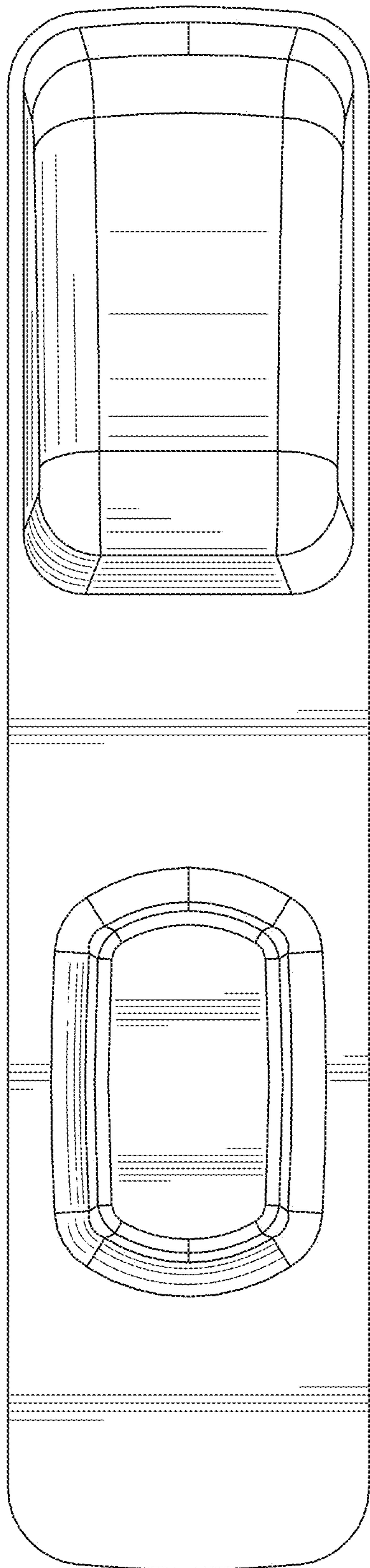


FIG. 3

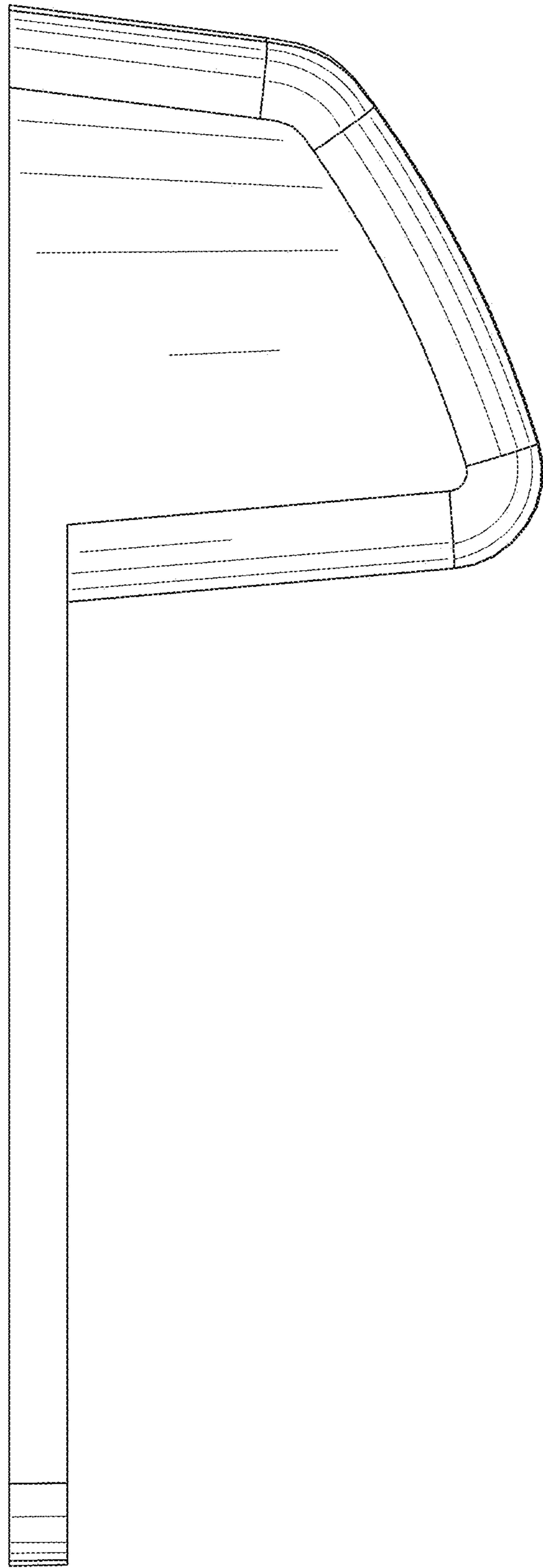


FIG. 4

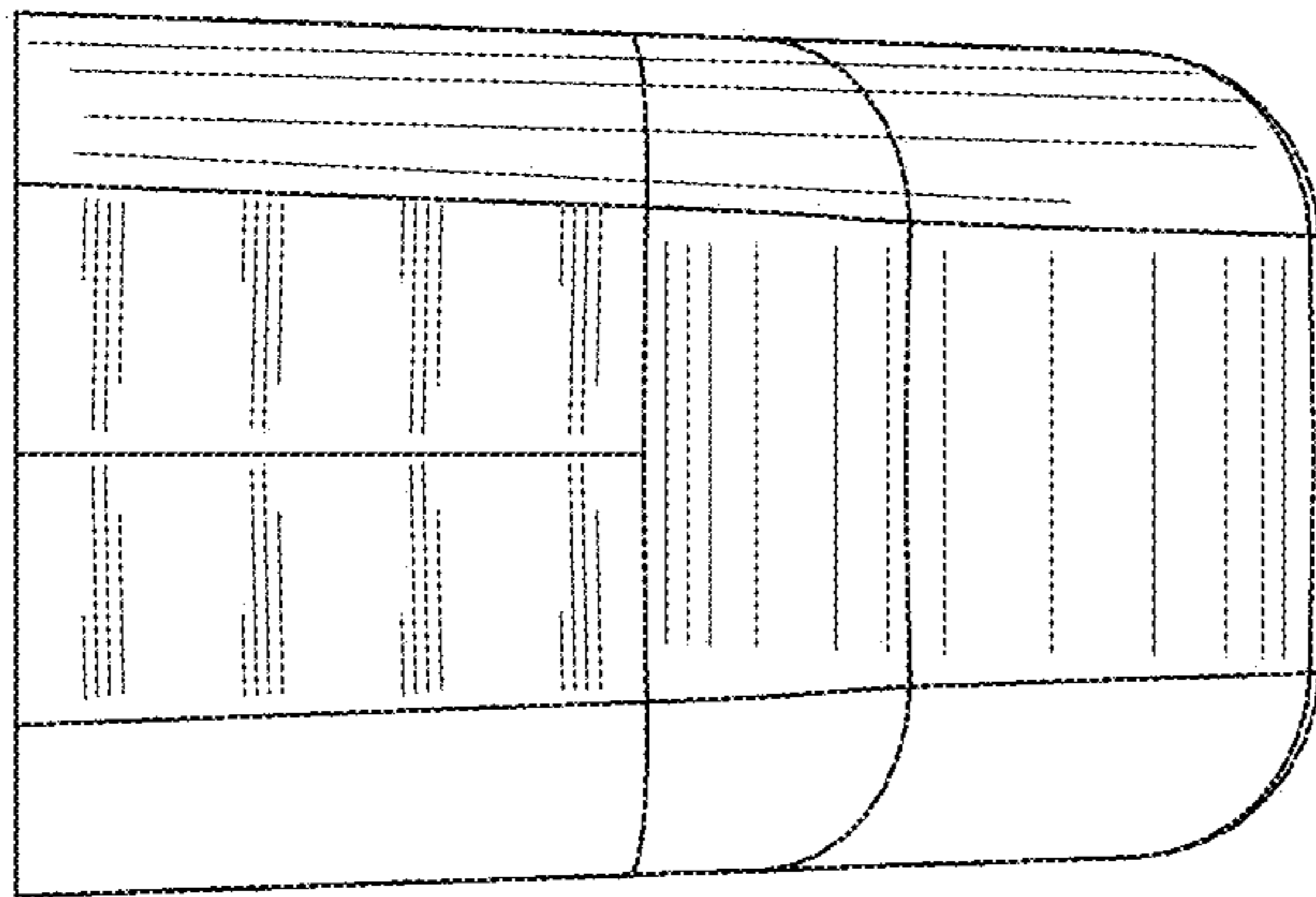


FIG. 5

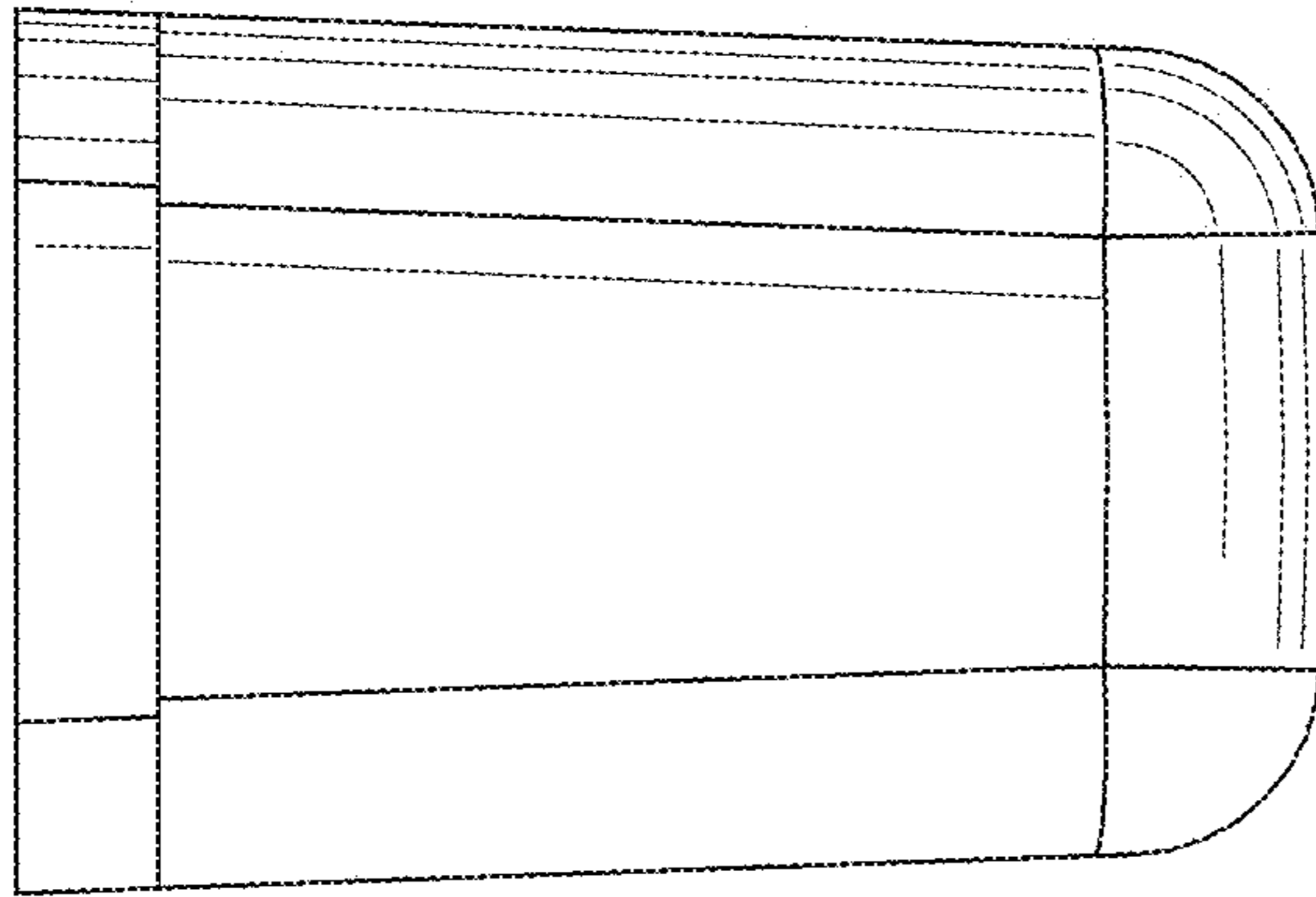


FIG. 6

