



US00D906769S

(12) **United States Design Patent**
Shen

(10) **Patent No.:** **US D906,769 S**

(45) **Date of Patent:** **** Jan. 5, 2021**

(54) **JUICER**

(71) Applicant: **Lihua Shen**, Los Angeles, CA (US)

(72) Inventor: **Lihua Shen**, Los Angeles, CA (US)

(**) Term: **15 Years**

(21) Appl. No.: **29/694,847**

(22) Filed: **Jun. 13, 2019**

(51) **LOC (13) Cl.** **31-00**

(52) **U.S. Cl.**
USPC **D7/665**

(58) **Field of Classification Search**
USPC D7/665, 666, 378, 370, 384, 386, 412
CPC A47J 19/02; A47J 19/027; A47J 19/06;
A47J 19/00; A47J 19/022; A47J 43/0727;
A47J 43/0794; A47J 43/042; A47J
43/046; A47J 2043/04454; A23N 1/02;
A23N 1/003; A23N 1/00
See application file for complete search history.

(56) **References Cited**

U.S. PATENT DOCUMENTS

5,381,730 A * 1/1995 Kim A23N 1/00
100/117
D362,597 S * 9/1995 Kim D7/665

D376,736 S * 12/1996 Kim D7/665
5,906,154 A * 5/1999 Yoon A23N 1/00
99/510
D526,539 S * 8/2006 Yip D7/665
D601,391 S * 10/2009 Chiang D7/665
D772,023 S * 11/2016 Allende Fritsch D7/665
2009/0064875 A1 * 3/2009 Trovinger A23N 1/02
99/492
2012/0227592 A1 * 9/2012 Linn A47J 19/025
99/486

* cited by examiner

Primary Examiner — Terry A Wallace

(74) *Attorney, Agent, or Firm* — Che-Yang Chen; Law
Office of Michael Chen

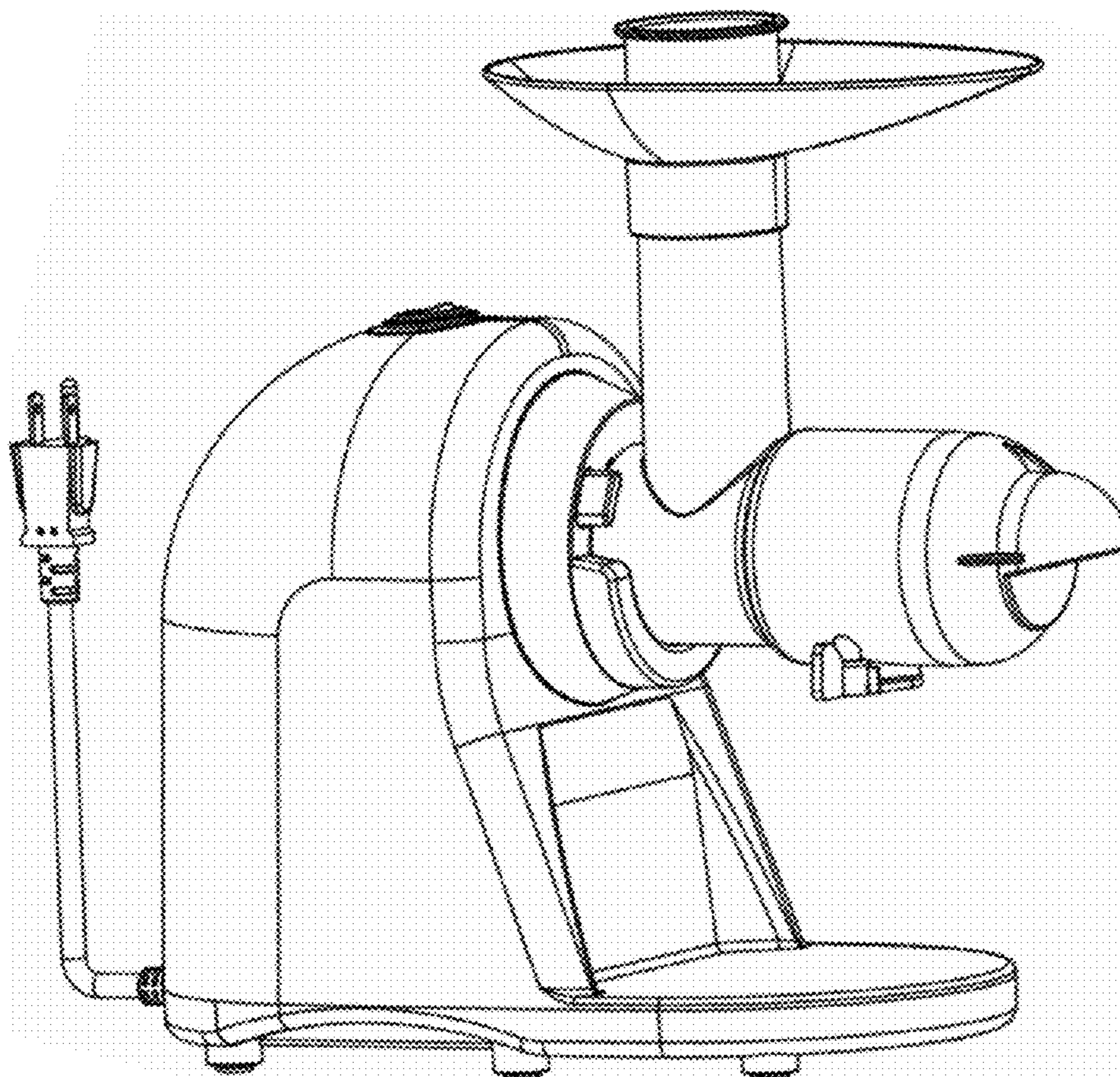
(57) **CLAIM**

The ornamental design for a juicer, as shown and described.

DESCRIPTION

FIG. 1 is a perspective view of the juicer showing my new design;
FIG. 2 is a front elevational view thereof;
FIG. 3 is a rear elevational view thereof;
FIG. 4 is a left elevational view thereof;
FIG. 5 is a right elevational view thereof;
FIG. 6 is a top plan view thereof; and,
FIG. 7 is a bottom plan view thereof.

1 Claim, 7 Drawing Sheets



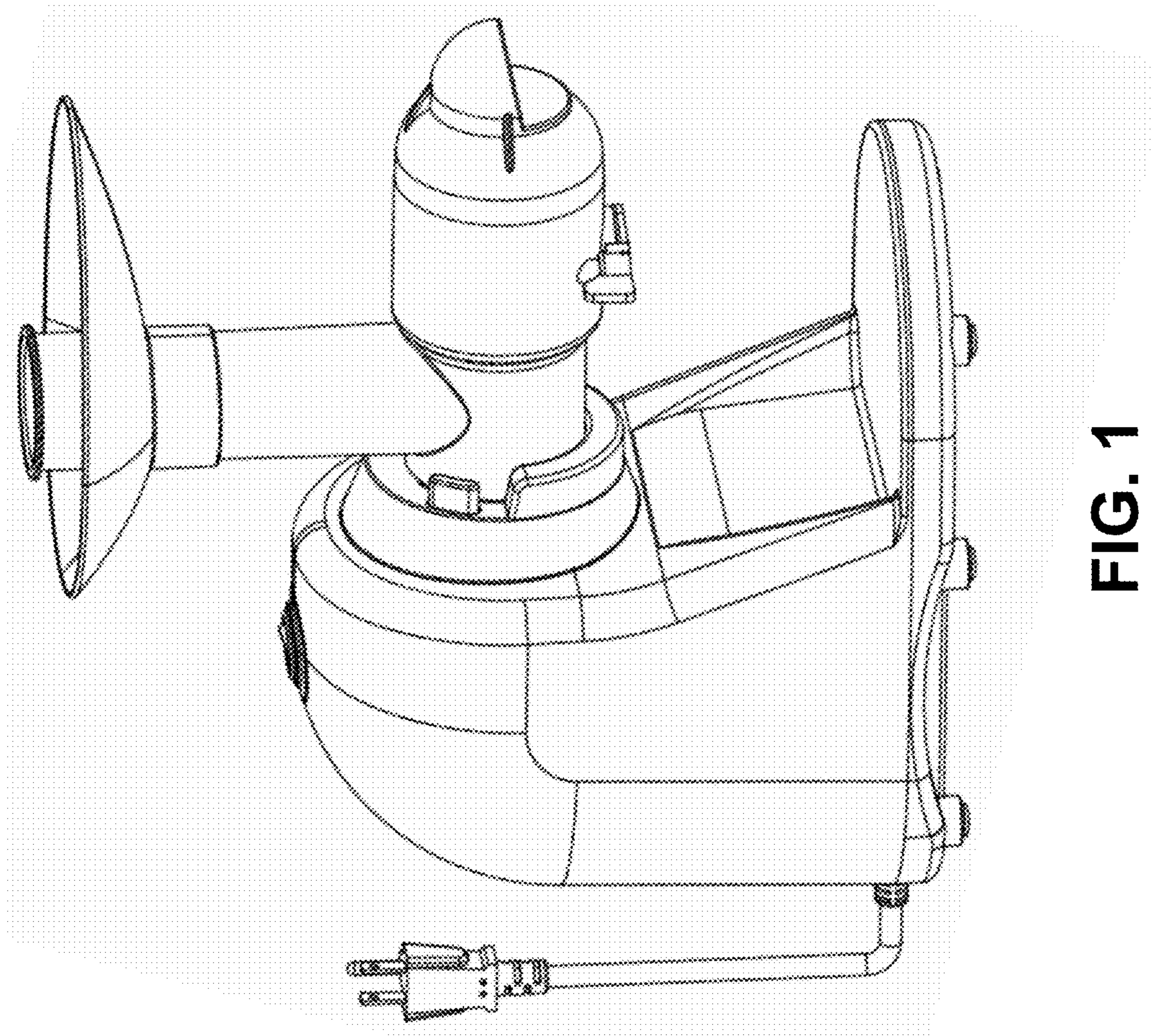


FIG. 1

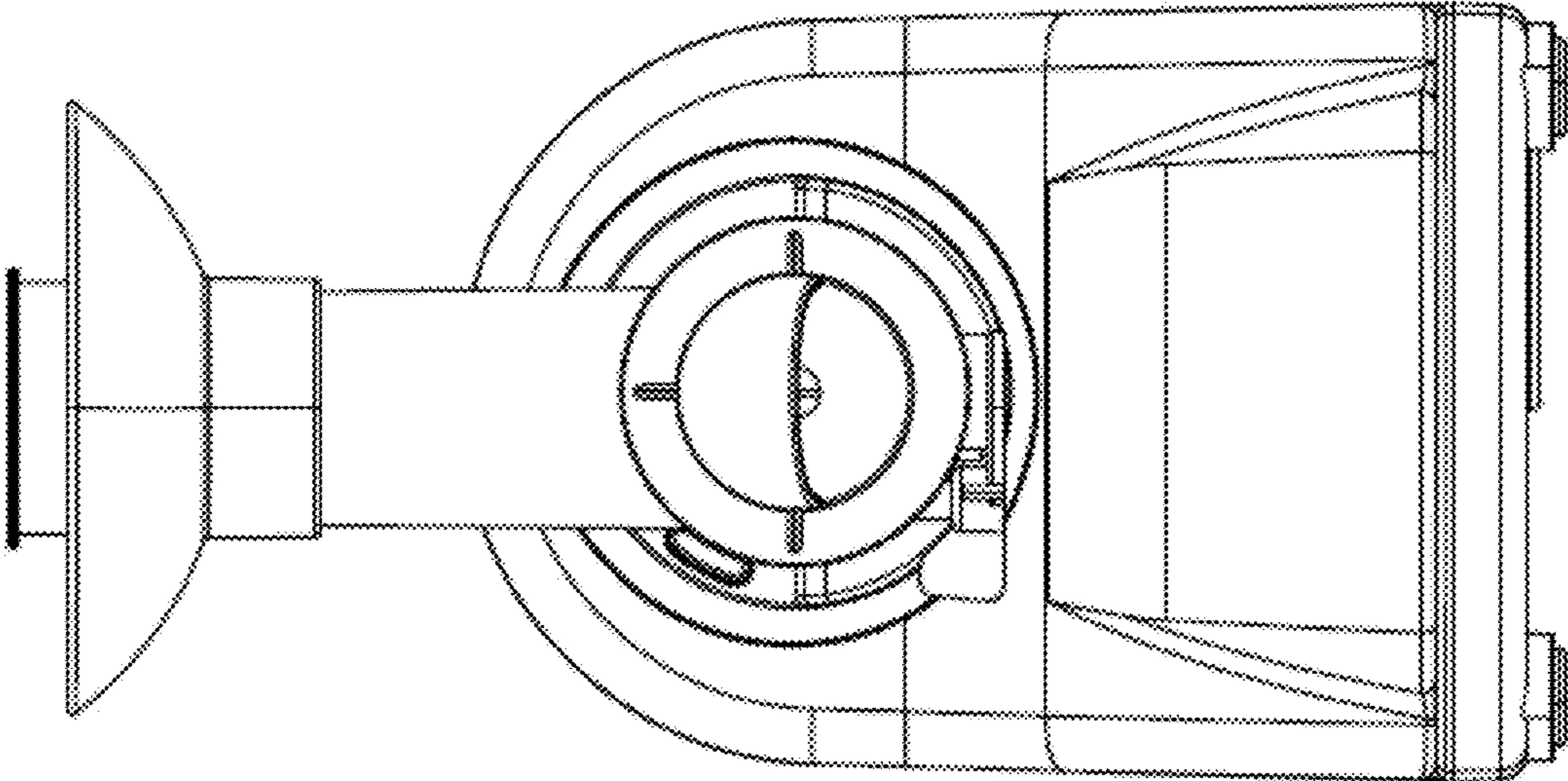


FIG. 2

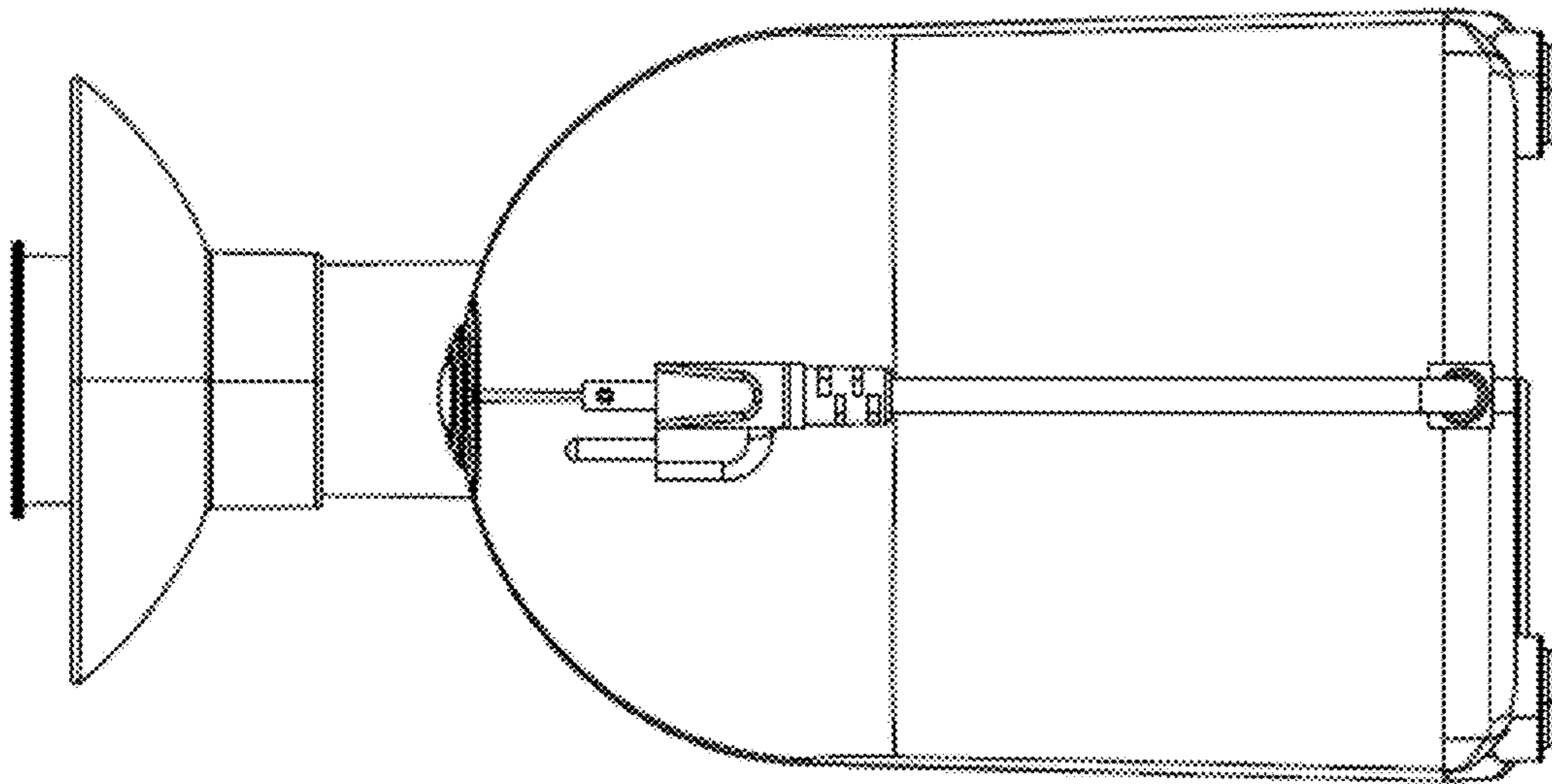


FIG. 3

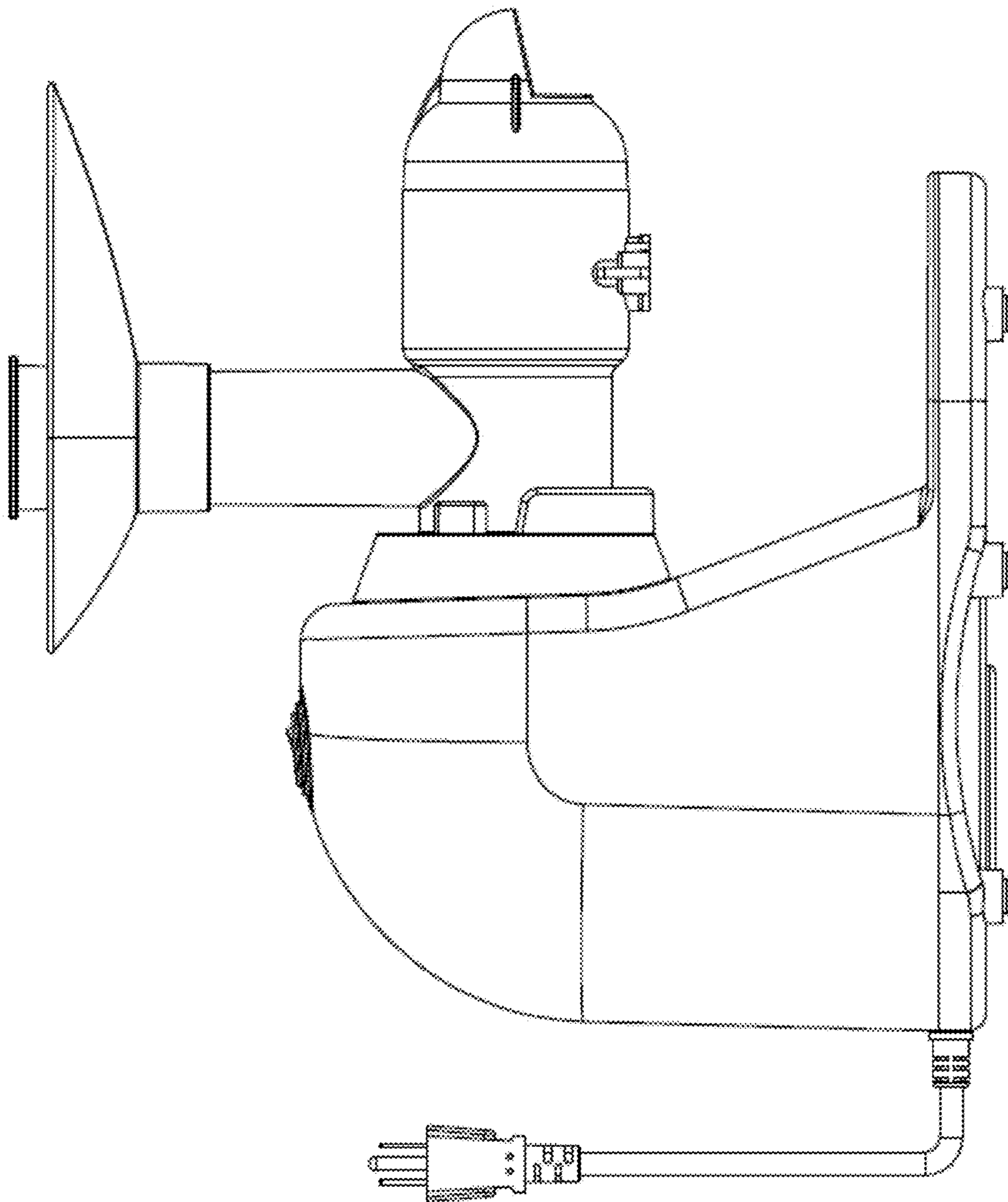


FIG. 4

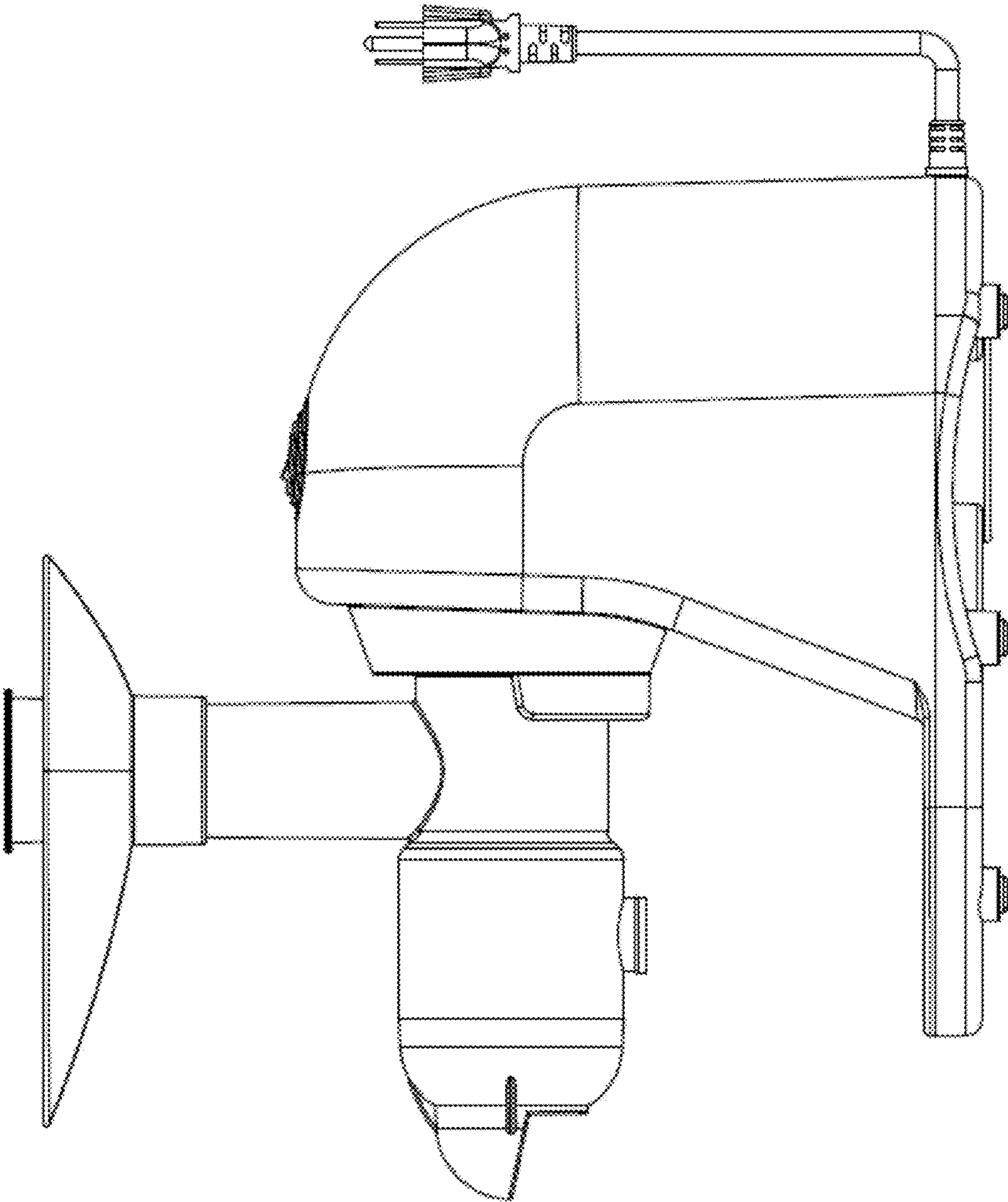


FIG. 5

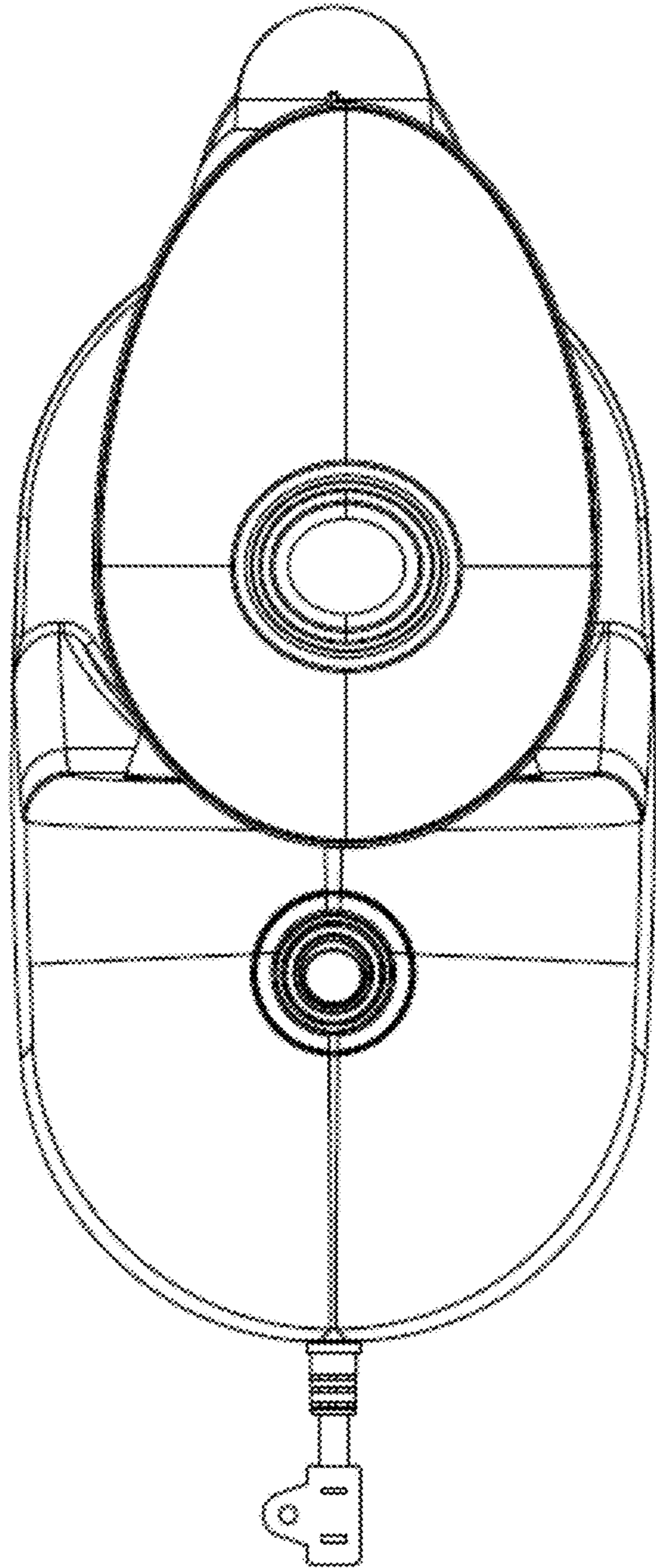


FIG. 6

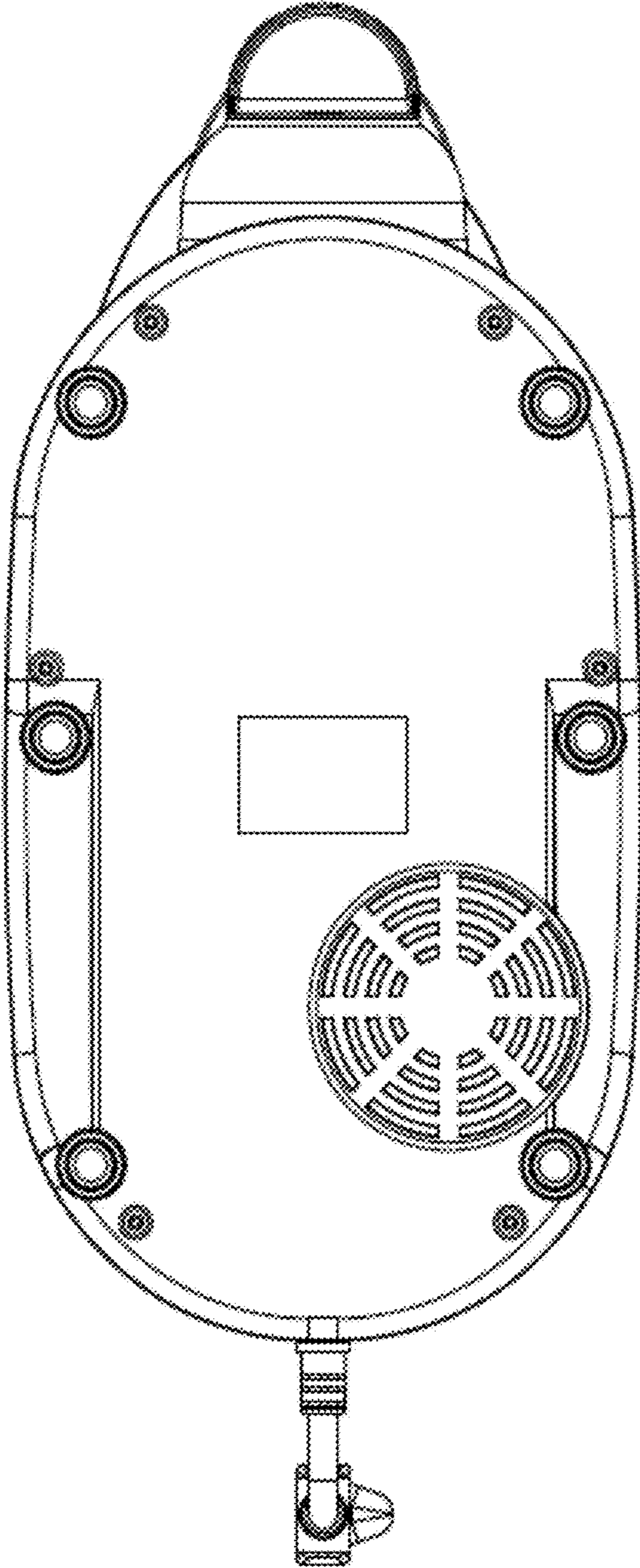


FIG. 7