



US00D906768S

(12) **United States Design Patent** (10) **Patent No.:** **US D906,768 S**
Braidotti (45) **Date of Patent:** **** Jan. 5, 2021**

(54) **SEAL SPOON**

(71) Applicant: **Nely Cristina Braidotti**, Bauru/SP (BR)

(72) Inventor: **Nely Cristina Braidotti**, Bauru/SP (BR)

(**) Term: **15 Years**

(21) Appl. No.: **29/681,303**

(22) Filed: **Feb. 25, 2019**

(30) **Foreign Application Priority Data**

Oct. 16, 2018 (BR) 302018054864

(51) **LOC (13) Cl.** **07-03**

(52) **U.S. Cl.**
USPC **D7/653**

(58) **Field of Classification Search**
USPC D7/368, 401.2, 642-645, 653-664, 669, D7/675-677, 683, 688-689, 691; D8/2, D8/107, 300-301; D10/46.2; D22/117-118

CPC ... A01D 9/02; A01D 9/04; A01D 9/06; A47G 19/183; A47G 21/00; A47G 21/004; A47G 21/005; A47G 21/02; A47G 21/023; A47G 21/04; A47G 21/06; A47G 21/08; A47J 43/28; A47J 43/281; A47J 43/282; A47J 43/288; A61F 13/10; A61J 7/0023; B25G 1/00; B25G 1/01; B25G 1/02; B25G 3/00; B26B 21/446; B65D 75/56; B65D 75/563; B65D 75/566; B67B 7/00; B67B 7/724; B67B 7/73

See application file for complete search history.

(56) **References Cited**

U.S. PATENT DOCUMENTS

3,092,411	A *	6/1963	Hardy	A47J 43/288 294/7
D235,405	S *	6/1975	Brown	D10/46.2
D253,869	S *	1/1980	Wells	D10/46.2
4,635,361	A *	1/1987	DeMars	B26B 21/446 30/41
4,888,188	A *	12/1989	Castner, Sr.	A47G 19/183 426/109
D541,112	S *	4/2007	Bodum	D7/653
7,975,386	B1 *	7/2011	Halvorson	A47J 43/28 30/141
9,789,028	B2 *	10/2017	Leffler	A61J 7/0023
D812,996	S *	3/2018	Alberding	D7/653
D874,883	S *	2/2020	Blessinger	D7/653

* cited by examiner

Primary Examiner — Ricky Pham

(74) *Attorney, Agent, or Firm* — Schmeiser, Olsen & Watts, LLP

(57) **CLAIM**

The ornamental design for a seal spoon, as shown and described.

DESCRIPTION

FIG. 1 shows a perspective view of a seal spoon; FIG. 2 shows an enlarged front view of the seal spoon; FIG. 3 shows an enlarged back view of the seal spoon; FIG. 4 shows a right side view of the seal spoon; FIG. 5 shows a left side view of the seal spoon; FIG. 6 shows a top view of the seal spoon; and, FIG. 7 shows a bottom view of the seal spoon.

1 Claim, 7 Drawing Sheets

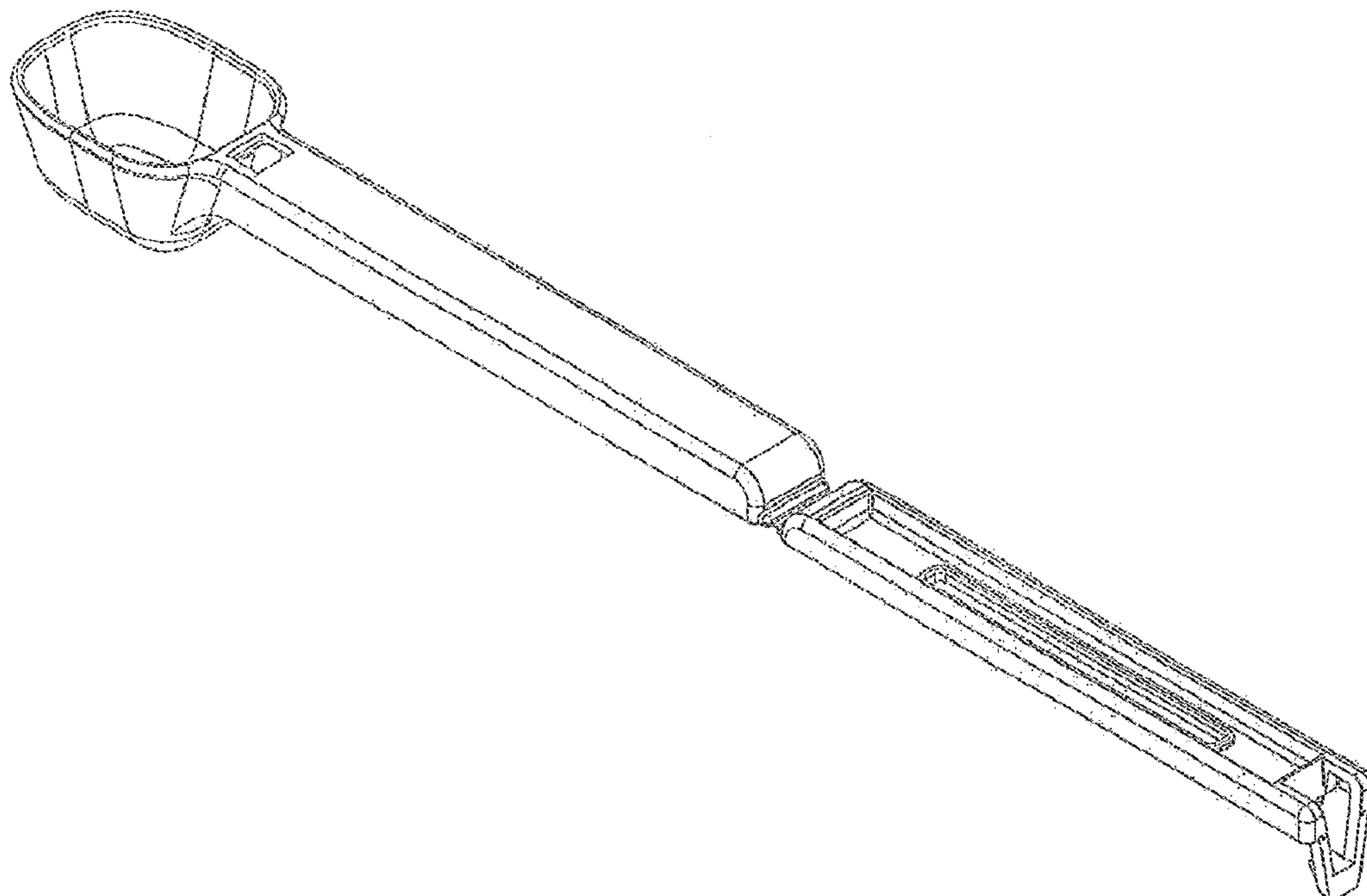


FIG. 1

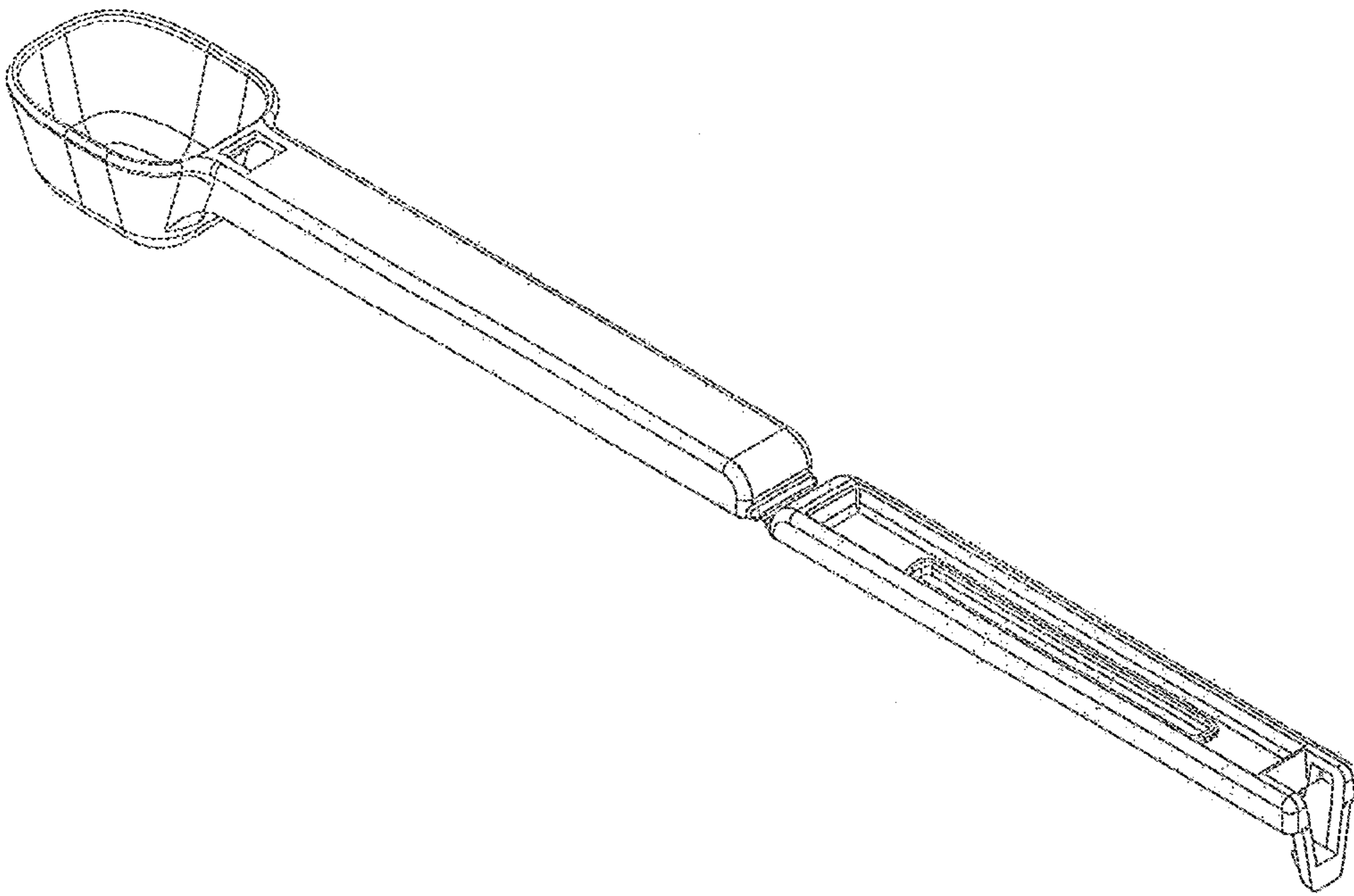


FIG. 2

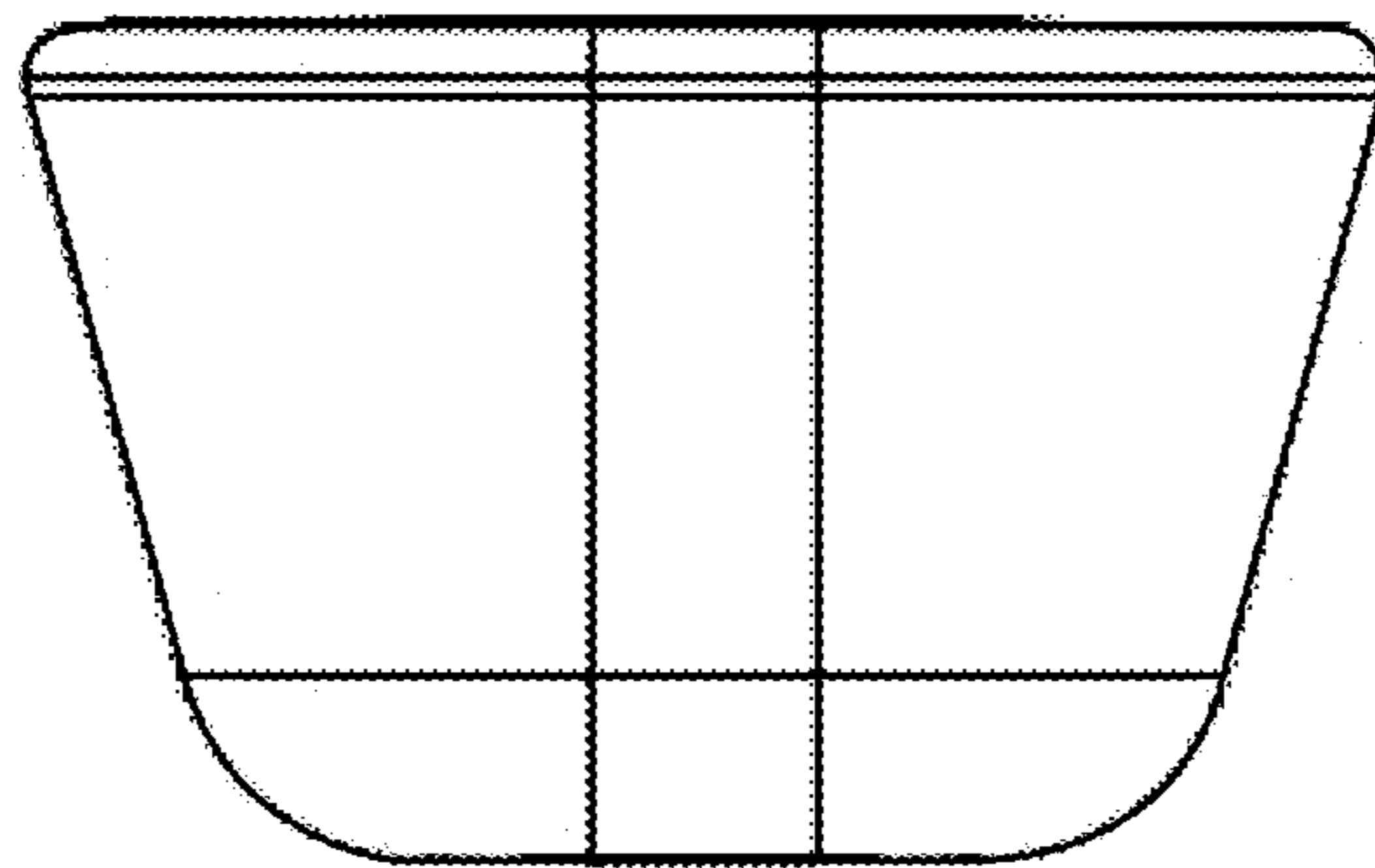


FIG. 3

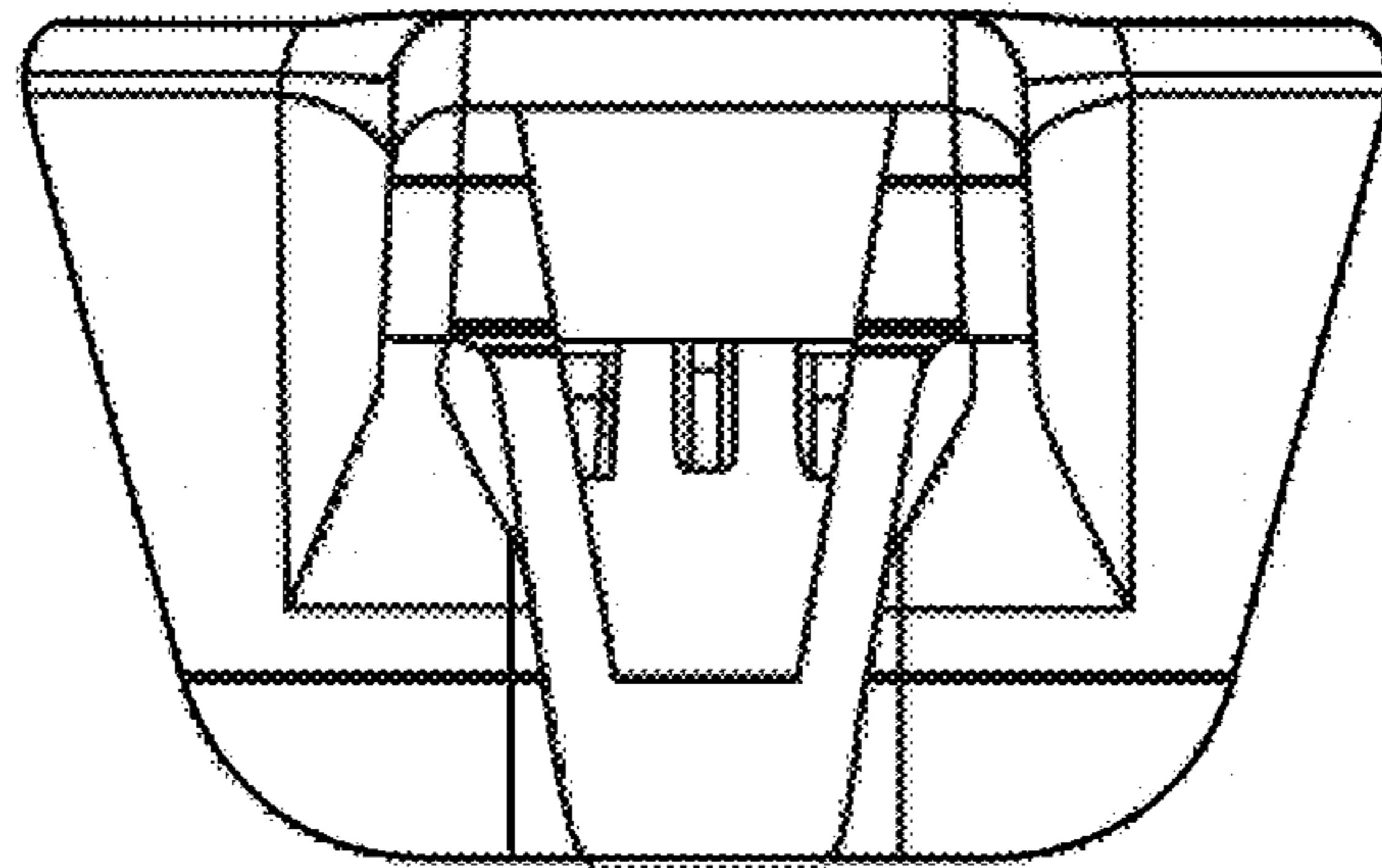


FIG. 4

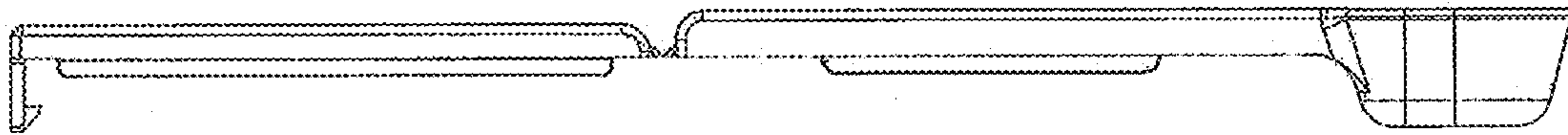


FIG. 5

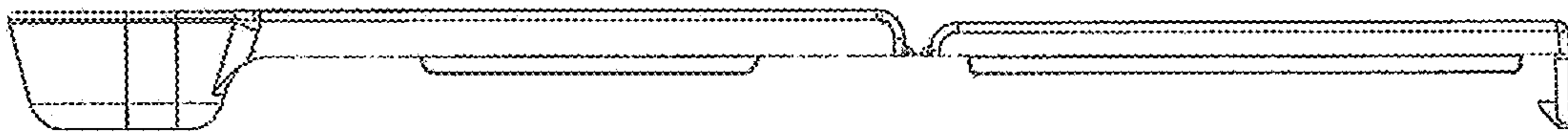


FIG. 6

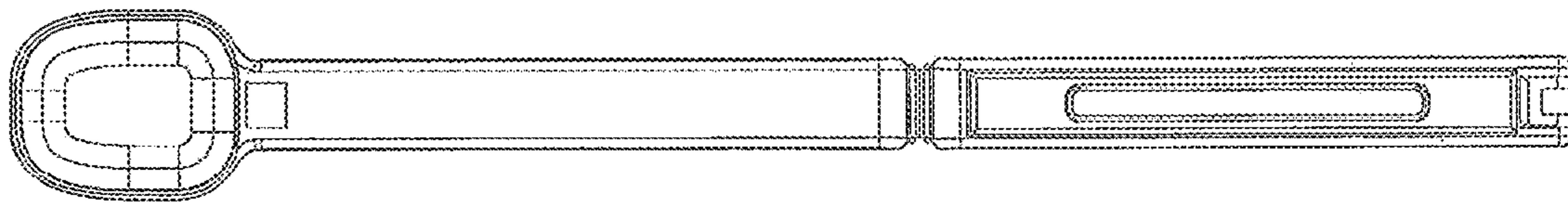


FIG. 7

