



US00D906765S

(12) **United States Design Patent** (10) **Patent No.:** **US D906,765 S**  
**Lundström** (45) **Date of Patent:** **\*\* Jan. 5, 2021**

(54) **BOTTLE**  
(71) Applicant: **Blue AB**, Stockholm (SE)  
(72) Inventor: **Magnus Lundström**, Stockholm (SE)  
(73) Assignee: **BLUE AB**, Stockholm (SE)  
(\*\*) Term: **15 Years**  
(21) Appl. No.: **29/674,016**  
(22) Filed: **Dec. 19, 2018**

D728,314 S \* 5/2015 Carstensen ..... D7/510  
D729,011 S \* 5/2015 Boroski ..... D7/511  
D729,585 S \* 5/2015 Boroski ..... D7/511  
D737,149 S \* 8/2015 Son ..... D9/688  
D751,898 S \* 3/2016 D'Anglade ..... D9/435  
D759,485 S \* 6/2016 Boroski ..... D9/449  
D763,044 S \* 8/2016 Ruotsalainen ..... D7/629  
D768,497 S \* 10/2016 Schneider ..... D9/554  
D779,285 S \* 2/2017 Seiders ..... D7/624.2  
D779,892 S \* 2/2017 Seiders ..... D7/624.2  
D799,963 S \* 10/2017 Akiyama ..... D9/454  
D806,475 S \* 1/2018 Pisarevsky ..... D7/507

(Continued)

(30) **Foreign Application Priority Data**

Jul. 2, 2018 (EM) ..... 005348034-0001

(51) **LOC (13) Cl.** ..... **09-07**

(52) **U.S. Cl.**  
USPC ..... **D7/629**

(58) **Field of Classification Search**  
USPC ..... D7/509, 510, 511, 523, 591, 597, 598,  
D7/602, 619.1; D9/737, 738, 763, 772,  
D9/778, 516, 544, 545, 529, 549, 905  
CPC ..... A45F 3/16; A47G 19/22; A47G 19/2205;  
A47G 19/2266; A47G 19/14; A47G  
19/16; B65D 41/04; B65D 41/0414;  
B65D 51/18; B65D 1/02; A47J 41/02;  
A47J 43/27

See application file for complete search history.

(56) **References Cited**

**U.S. PATENT DOCUMENTS**

D639,166 S \* 6/2011 Carreno ..... D9/504  
D652,682 S \* 1/2012 Eyal ..... D7/510  
D655,134 S \* 3/2012 Gilbert ..... D7/510  
D660,084 S \* 5/2012 Gilbert ..... D7/510  
D685,231 S \* 7/2013 Lane ..... D7/605  
D695,138 S \* 12/2013 Ball ..... D9/435  
D697,802 S \* 1/2014 Lane ..... D9/500  
D720,574 S \* 1/2015 Boroski ..... D7/510  
D725,968 S \* 4/2015 George ..... D7/511

**OTHER PUBLICATIONS**

Asobu Le Baton Beverage Bottle | posted at Amazon.com, posted on Jun. 29, 2016, © 1996-2020 Amazon.com, [online], [site visited Jun. 19, 2020]. Available from Internet, <URL: <https://www.amazon.com/Insulated-Vacuum-Sealed-Stainless-Trendy/dp/B01HQA9HL4/>> (Year: 2016).\*

*Primary Examiner* — Susan E Krakower  
*Assistant Examiner* — Andrew Kerr  
(74) *Attorney, Agent, or Firm* — Cooper Legal Group, LLC; Ronald M. Kachmarik

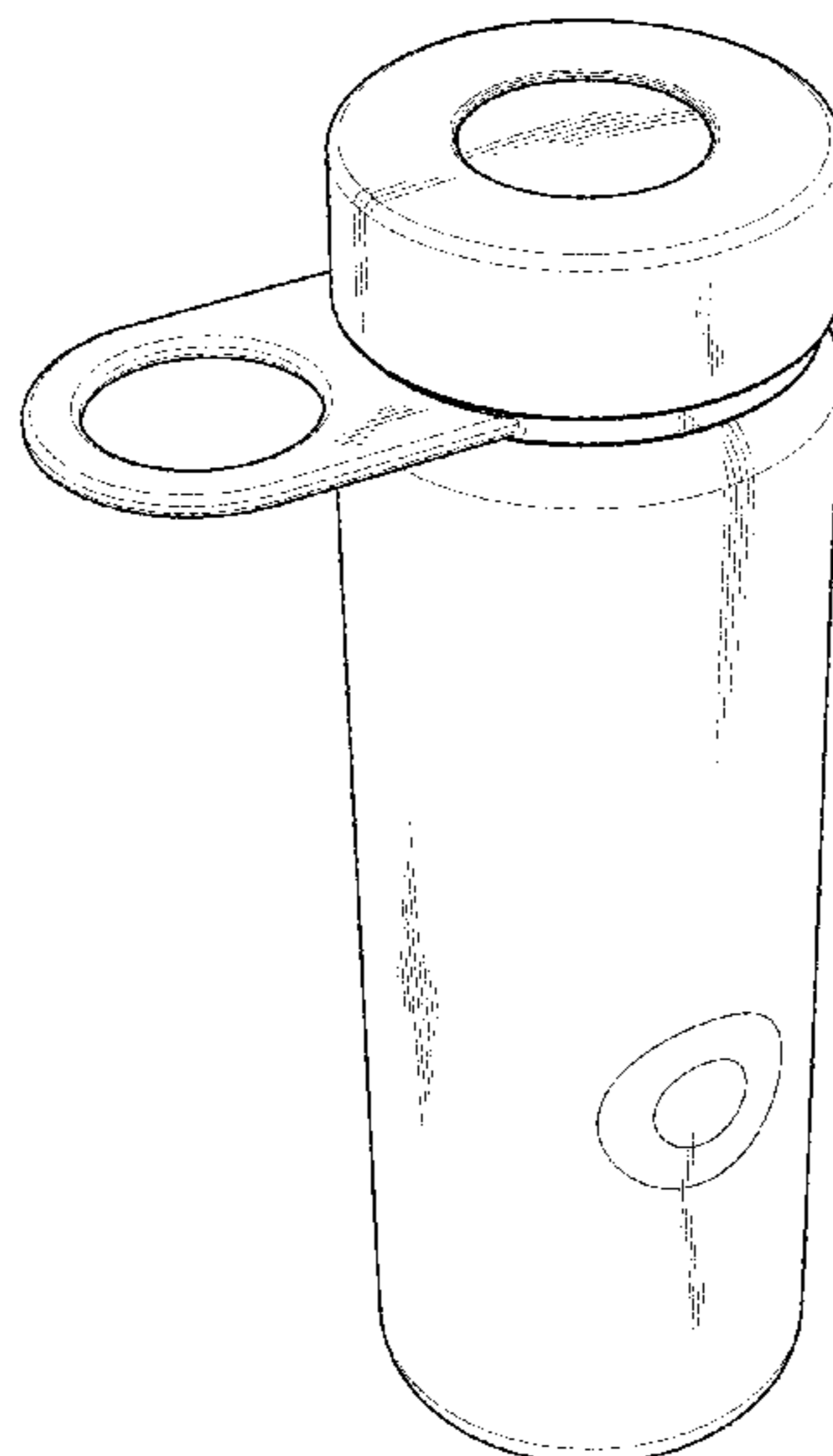
(57) **CLAIM**

The ornamental design for a bottle, as shown and described.

**DESCRIPTION**

FIG. 1 is a perspective view of a bottle, showing the new design;  
FIG. 2 is a front view thereof;  
FIG. 3 is a first side view thereof;  
FIG. 4 is a bottom view thereof;  
FIG. 5 is a second side view thereof;  
FIG. 6 is a back view thereof; and,  
FIG. 7 is a top view thereof.  
The broken lines in FIG. 4 depict portions of the bottle that form no part of the claimed design.

**1 Claim, 7 Drawing Sheets**



(56)

**References Cited**

U.S. PATENT DOCUMENTS

D814,930	S *	4/2018	Tremayne .....	D9/435
D814,931	S *	4/2018	Alima .....	D9/504
D823,689	S *	7/2018	Durand .....	D9/503
D827,388	S *	9/2018	Kander .....	D7/608
D829,058	S *	9/2018	Seiders .....	D7/624.2
D832,651	S *	11/2018	Wiet .....	D7/511
D845,766	S *	4/2019	Tartock .....	D9/454
D850,595	S *	6/2019	Li .....	D23/366
D862,235	S *	10/2019	Sanghavi .....	D9/529
D871,844	S *	1/2020	Adams, Jr. ....	D7/510
D873,074	S *	1/2020	Diefenbach .....	D7/510
D878,156	S *	3/2020	Rittri .....	D7/511
D879,564	S *	3/2020	Adams, Jr. ....	D7/612
2005/0269241	A1 *	12/2005	Brooks .....	H01L 21/67386 206/710
2014/0205725	A1 *	7/2014	Albanese .....	A47J 31/20 426/433

\* cited by examiner

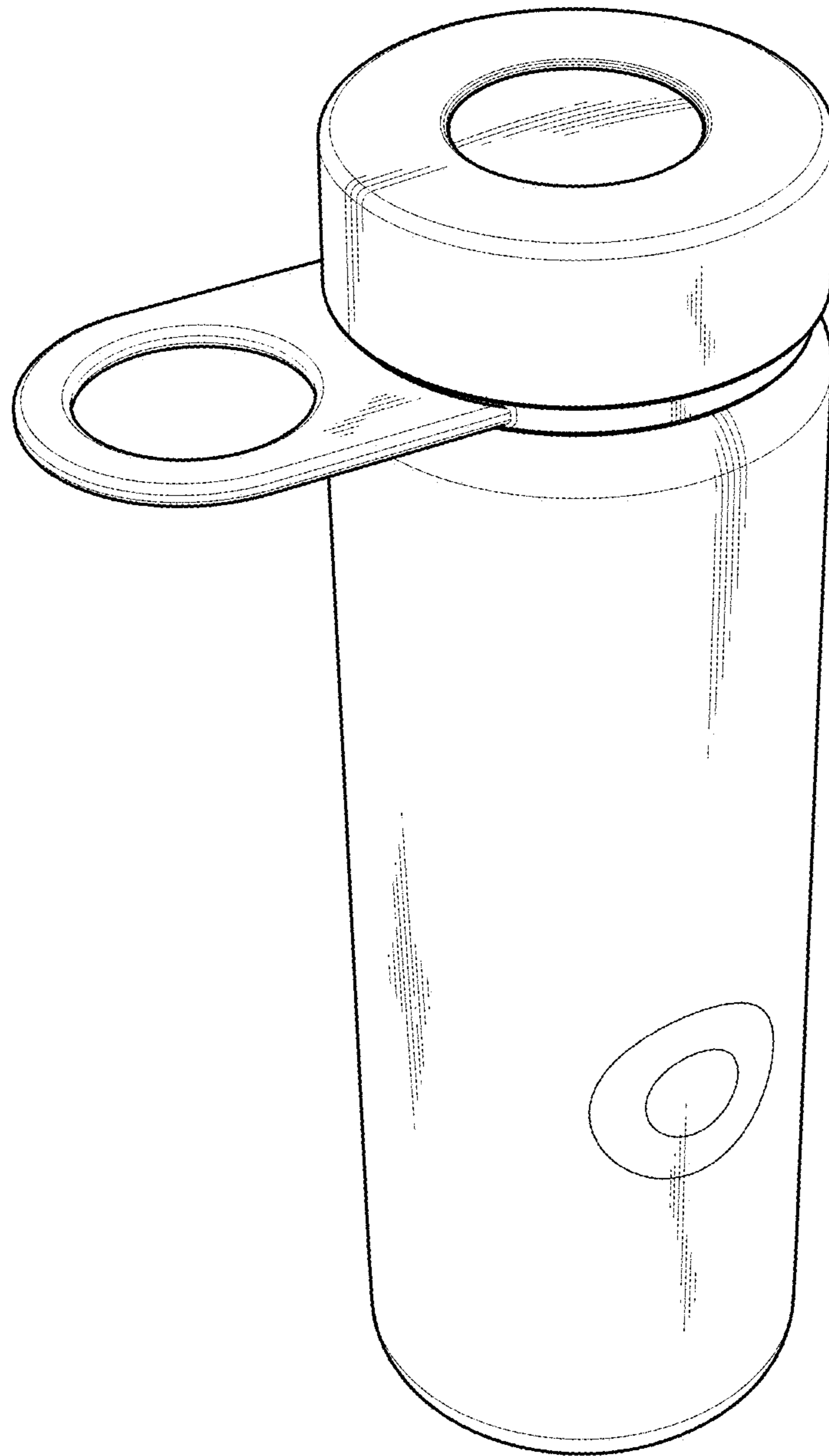


FIG. 1



FIG. 2

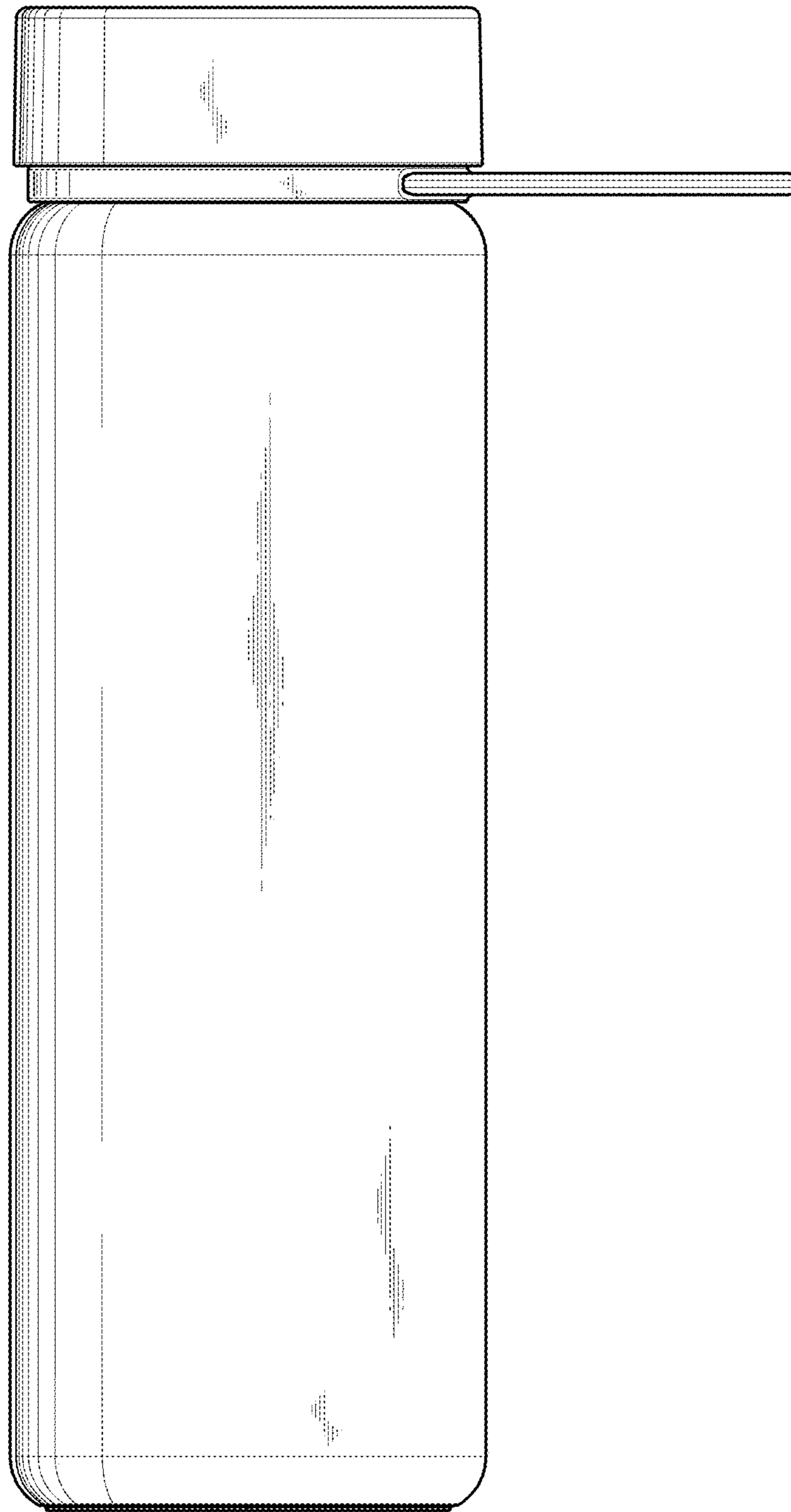


FIG. 3

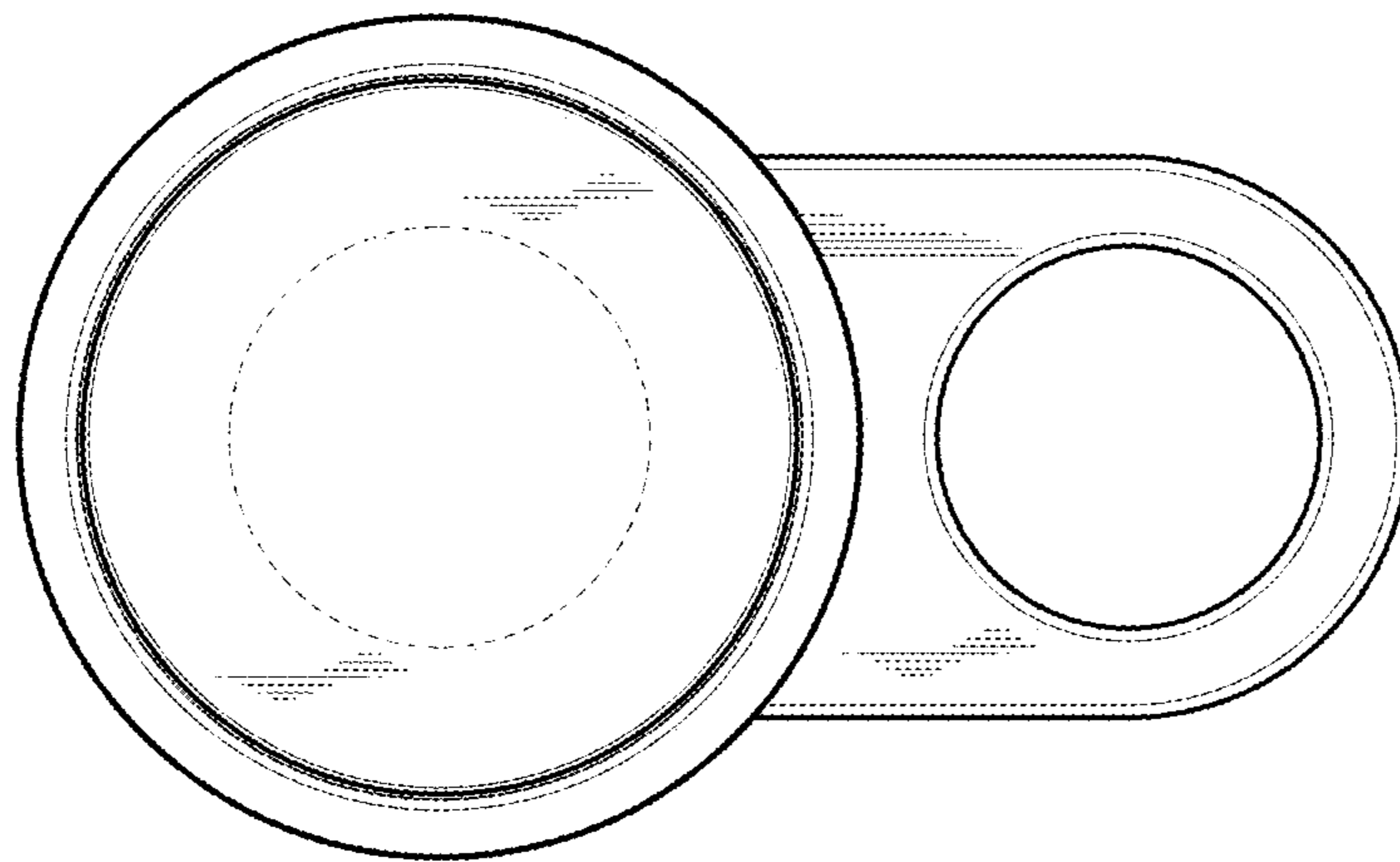


FIG. 4



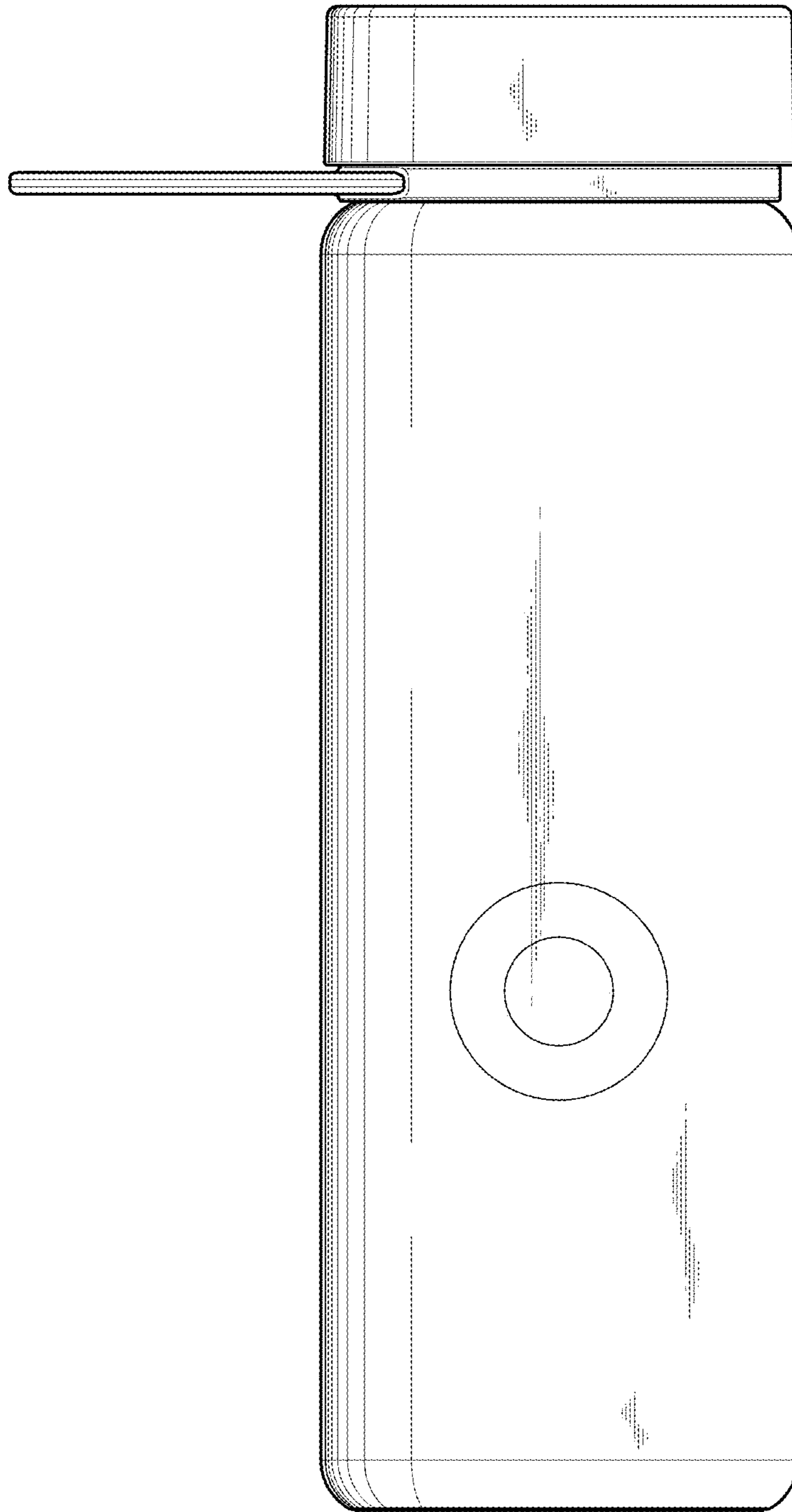


FIG. 5

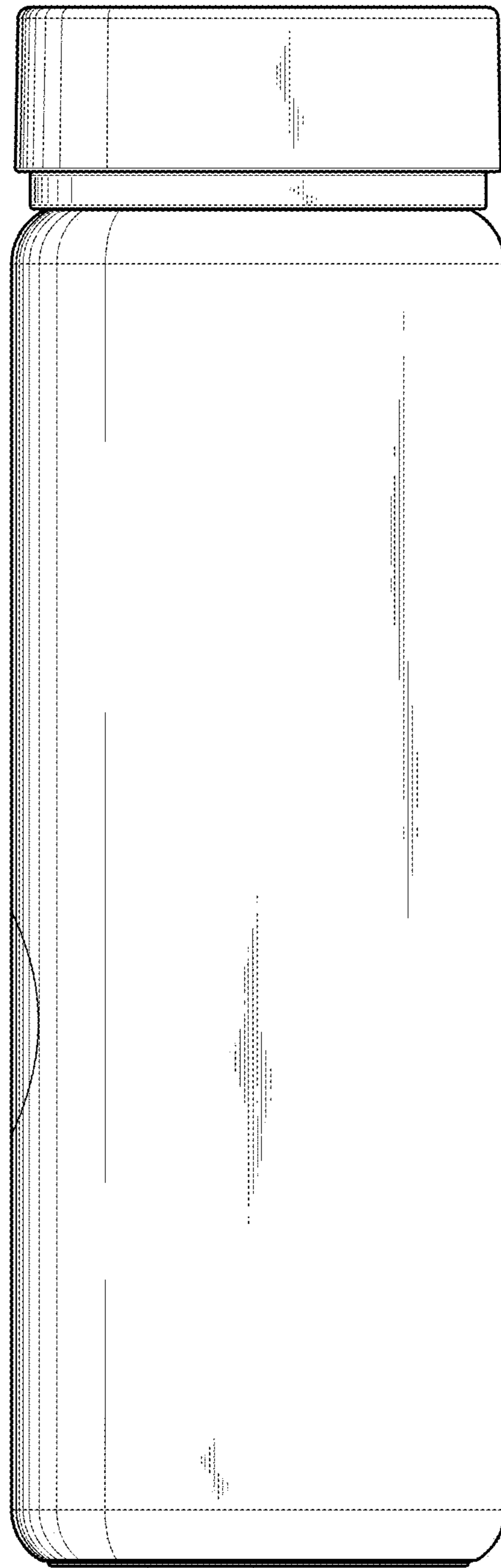


FIG. 6



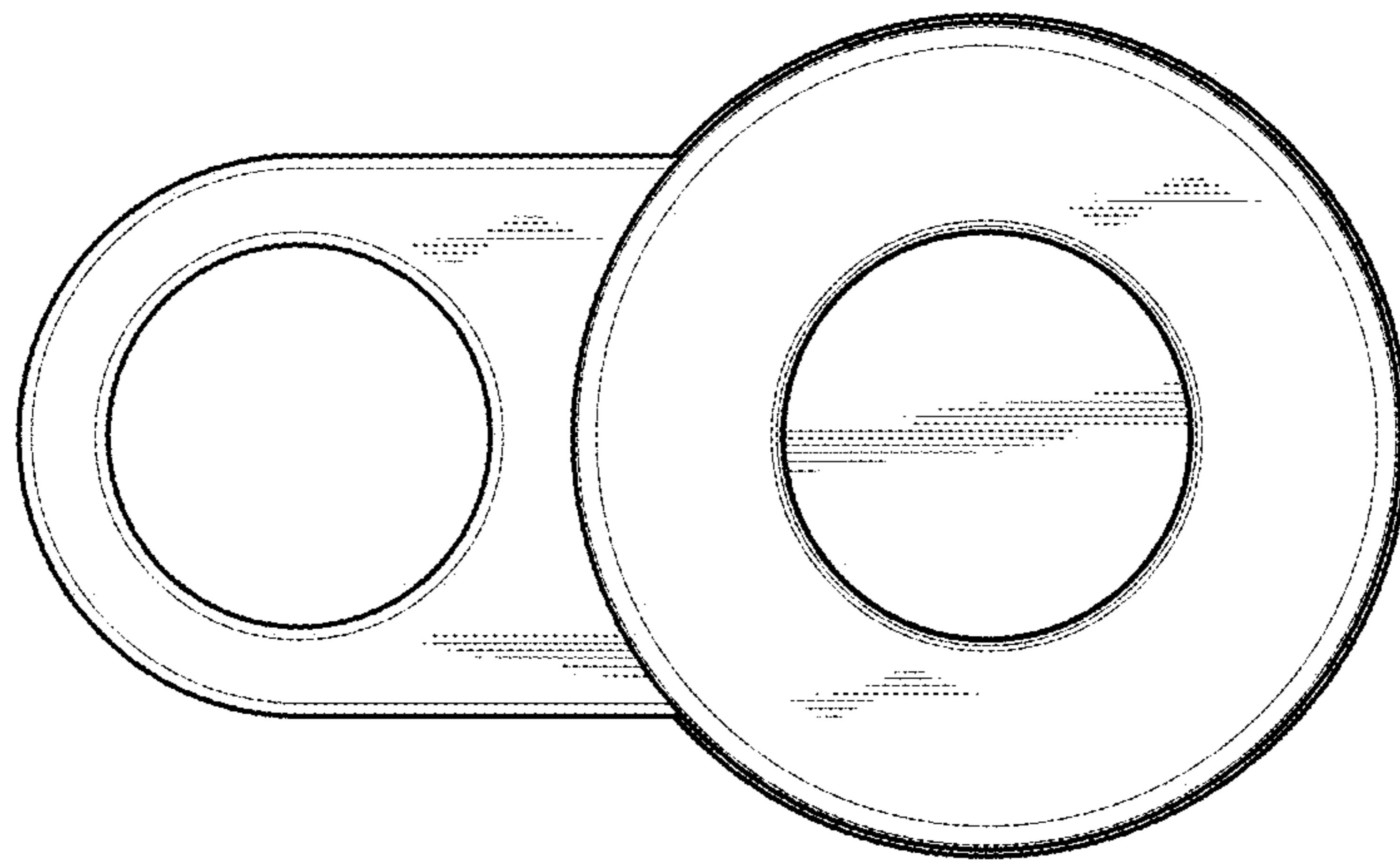


FIG. 7