



US00D906764S

(12) **United States Design Patent**
Hubbard

(10) **Patent No.:** **US D906,764 S**

(45) **Date of Patent:** **** Jan. 5, 2021**

(54) **BEVERAGE AND MENU TRAY**

(71) Applicant: **Tucker Brewing Company, LLC**,
Tucker, GA (US)

(72) Inventor: **Ashley Hubbard**, Tucker, GA (US)

(73) Assignee: **TUCKER BREWING COMPANY, LLC**,
Tucker, GA (US)

(**) Term: **15 Years**

(21) Appl. No.: **29/696,875**

(22) Filed: **Jul. 2, 2019**

(51) **LOC (13) Cl.** **07-01**

(52) **U.S. Cl.**
USPC **D7/551.1**

(58) **Field of Classification Search**
USPC D7/500, 505, 506, 538, 541, 542, 550.1,
D7/551.1, 552.1, 552.2, 553.1, 571,
D7/601-602
CPC A45C 11/20; A47G 19/02; A47G 19/06;
A47G 23/06; A47G 23/0608; A47G 21/08
See application file for complete search history.

(56) **References Cited**

U.S. PATENT DOCUMENTS

6,964,443	B1 *	11/2005	Newton	A47G 23/0208
					206/217
D563,726	S *	3/2008	Fraser	D7/553.1
D596,450	S *	7/2009	Nolan	D7/354
D623,478	S *	9/2010	Hayashi	D7/551.1
D663,167	S *	7/2012	Gober	D7/551.1
8,272,512	B2 *	9/2012	Joseph	A47G 23/0641
					206/563

(Continued)

Primary Examiner — Kelley A Donnelly

(74) *Attorney, Agent, or Firm* — Thomas | Horstemeyer
LLP

(57) **CLAIM**

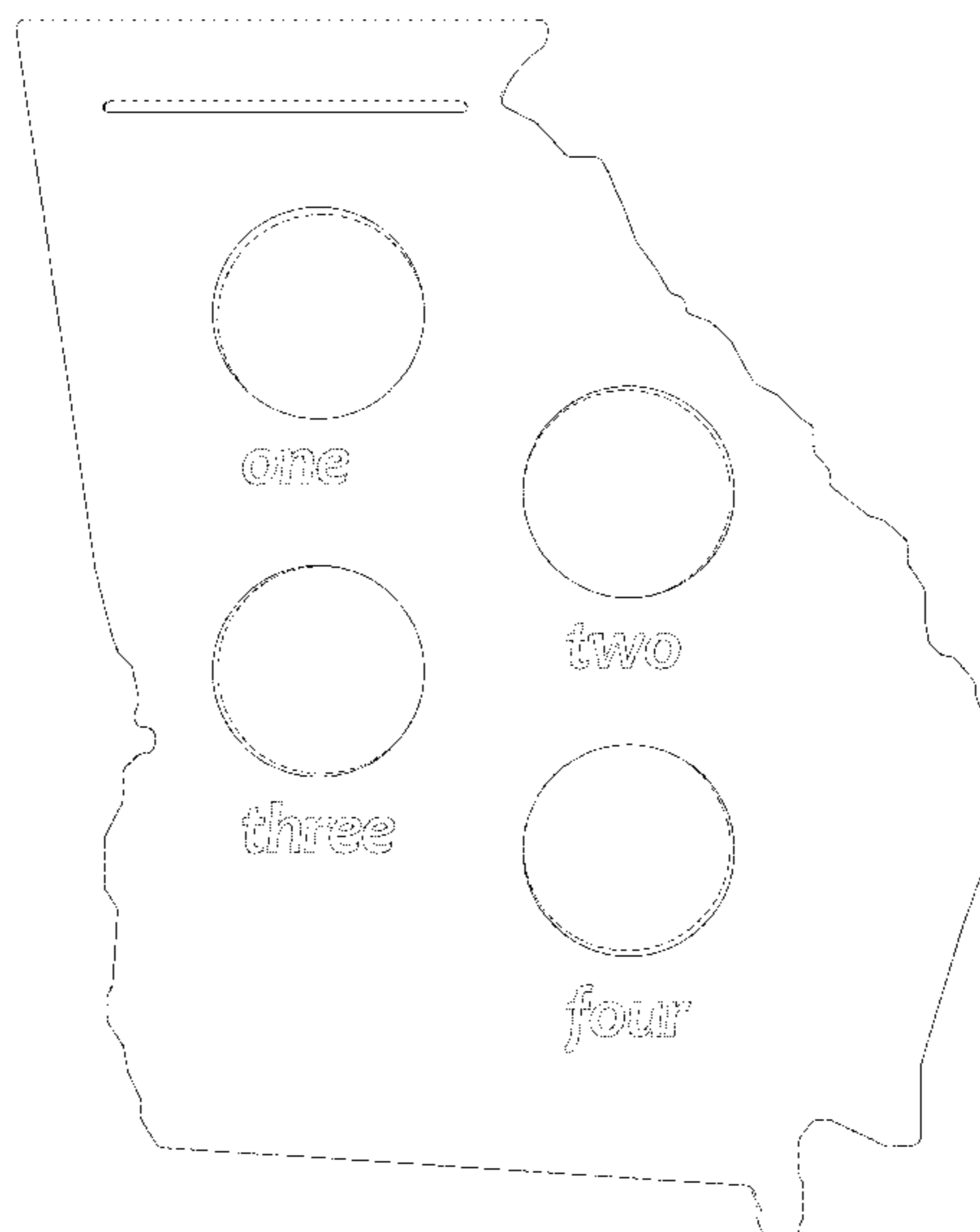
The ornamental design for a beverage and menu tray, as shown and described.

DESCRIPTION

FIG. 1 is a top view of a beverage and menu tray showing the new design;
 FIG. 2 is a bottom view thereof;
 FIG. 3 is a front view thereof;
 FIG. 4 is a rear view thereof;
 FIG. 5 is a side elevation view thereof;
 FIG. 6 is a side view thereof opposite that of FIG. 5;
 FIG. 7 is a top perspective view thereof;
 FIG. 8 is a bottom perspective view thereof;
 FIG. 9 is another top view thereof showing the beverage and menu tray in a first example;
 FIG. 10 is a bottom view thereof;
 FIG. 11 is a side perspective view thereof;
 FIG. 12 is a side perspective view thereof opposite that of FIG. 11;
 FIG. 13 is a front view thereof; and
 FIG. 14 is a rear view thereof;
 FIG. 15 is a top perspective view thereof;
 FIG. 16 is a bottom perspective view thereof;
 FIG. 17 is another top view thereof showing the beverage and menu tray in a second example;
 FIG. 18 is a bottom view thereof;
 FIG. 19 is a side perspective view thereof;
 FIG. 20 is a side perspective view thereof opposite that of FIG. 11;
 FIG. 21 is a front view thereof; and
 FIG. 22 is a rear view thereof;
 FIG. 23 is a top perspective view thereof; and,
 FIG. 24 is a bottom perspective view thereof.

The broken line showing in the figures includes portions of the beverage and menu tray that form no part of the claimed design. Additional views and embodiments of the beverage and menu tray are shown in Appendix A filed herewith, the contents of which being incorporated by reference herein in their entirety.

1 Claim, 21 Drawing Sheets



(56)

References Cited

U.S. PATENT DOCUMENTS

D731,247 S *	6/2015	Kamei	D7/550.1
D770,870 S *	11/2016	Nash	D7/702
D776,485 S *	1/2017	Bradley	D7/550.1
D781,658 S *	3/2017	Chiorazzi	A47G 23/0641
			D7/550.1
D855,405 S *	8/2019	Ings	D7/551.1
D855,406 S *	8/2019	Ings	D7/553.1
D872,540 S *	1/2020	Mulder	D7/552.1

* cited by examiner

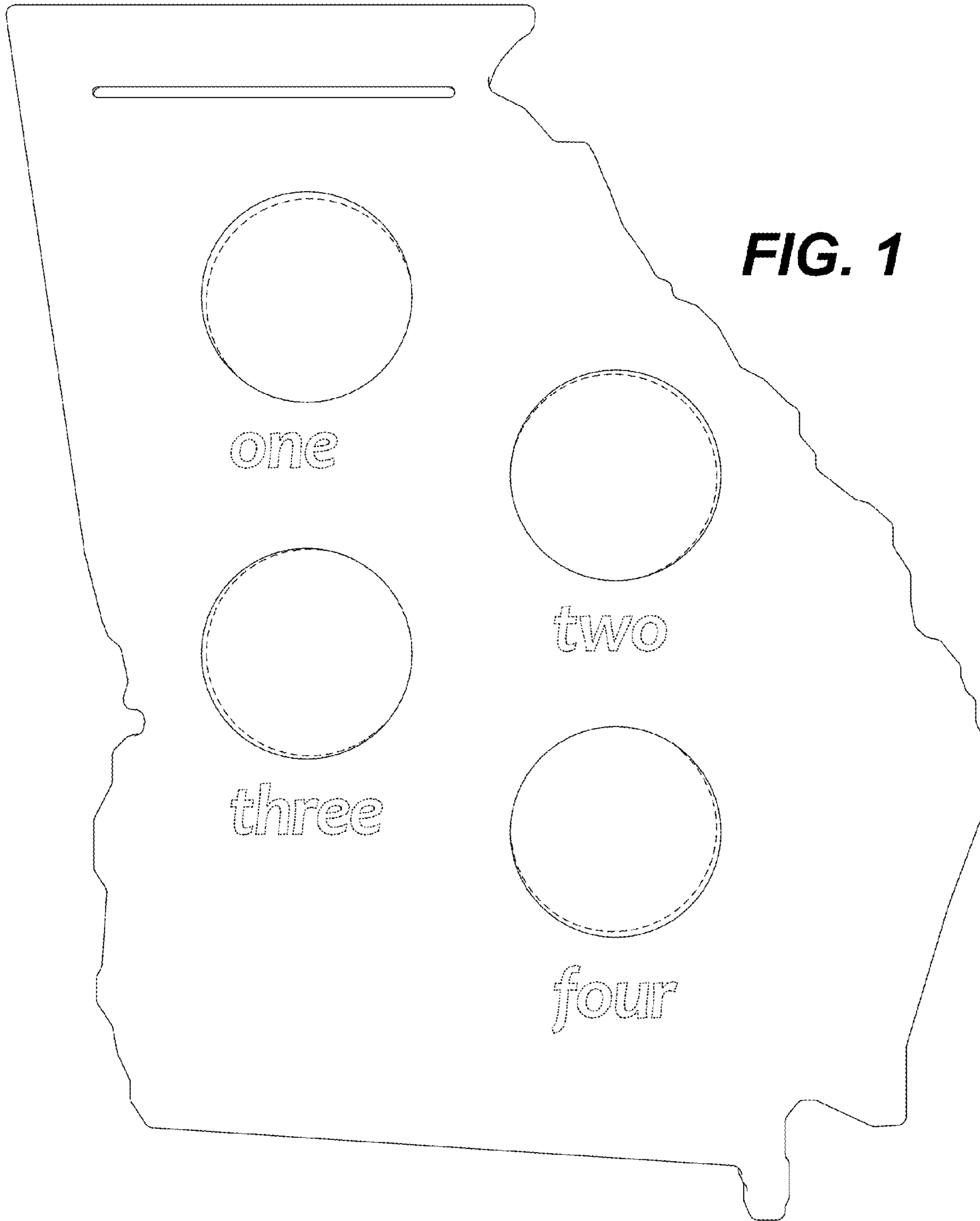


FIG. 2

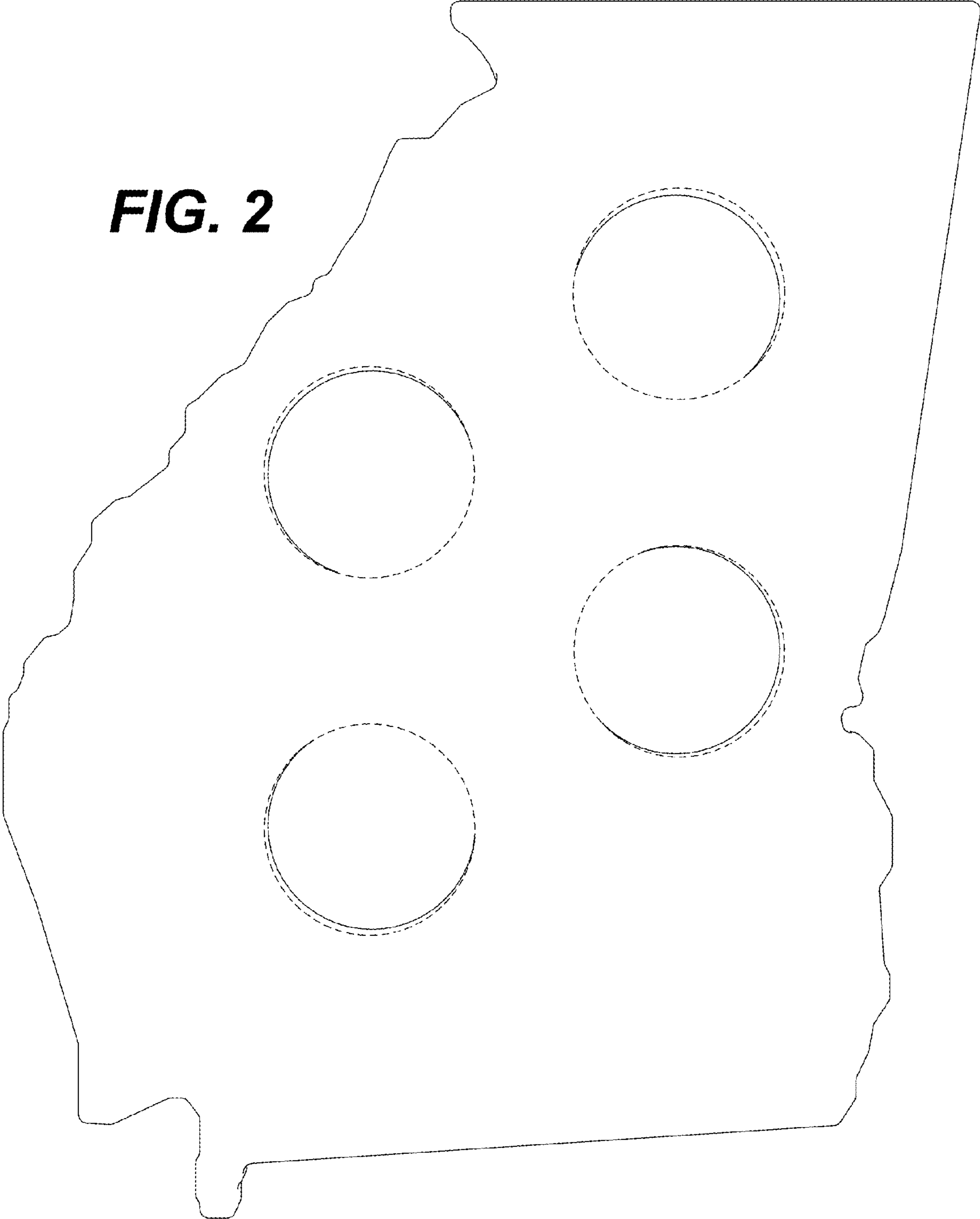




FIG. 3

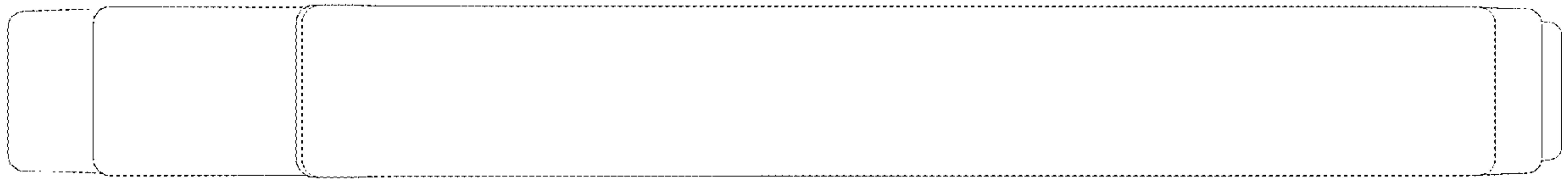


FIG. 4



FIG. 5



FIG. 6

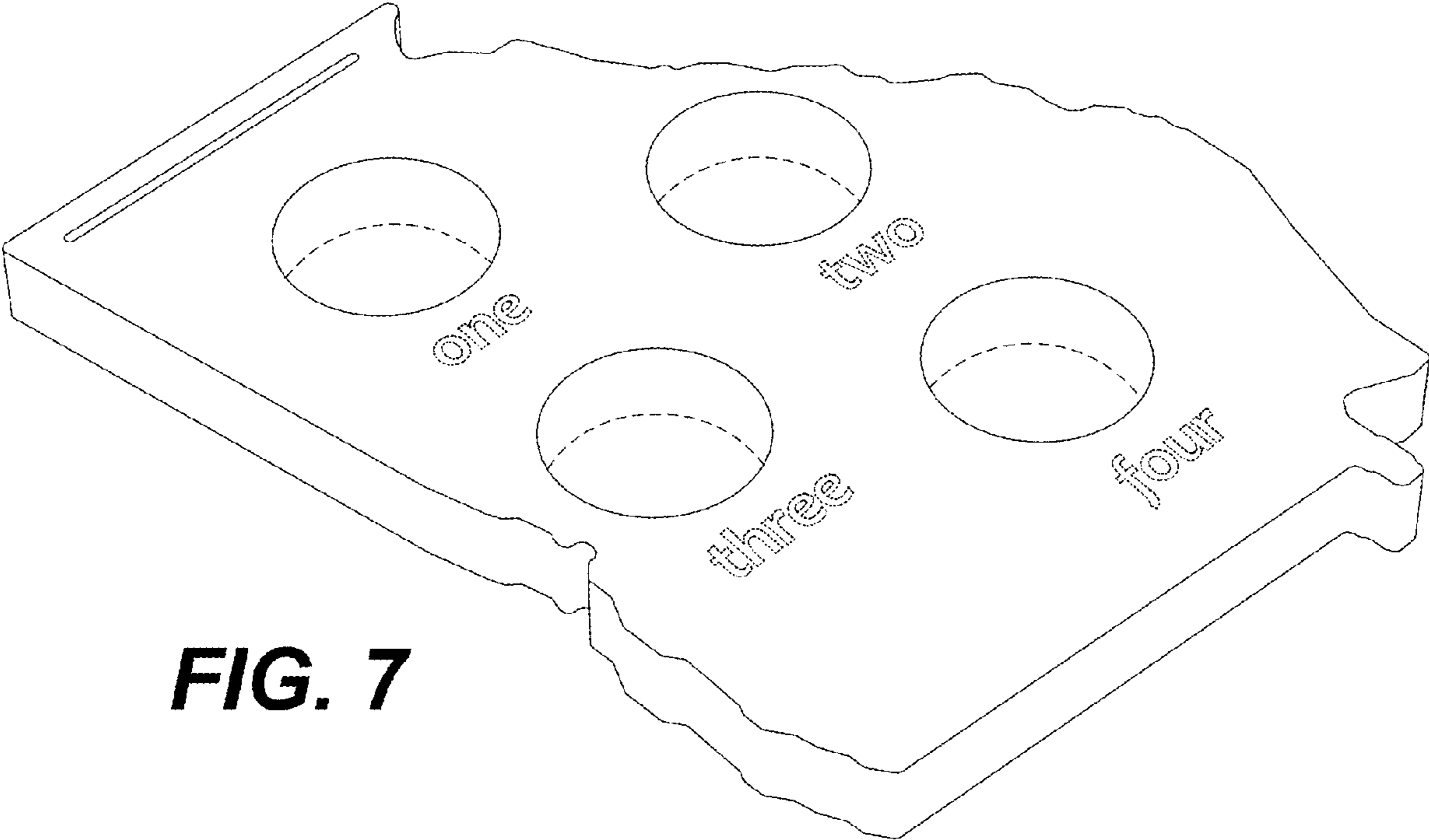


FIG. 7

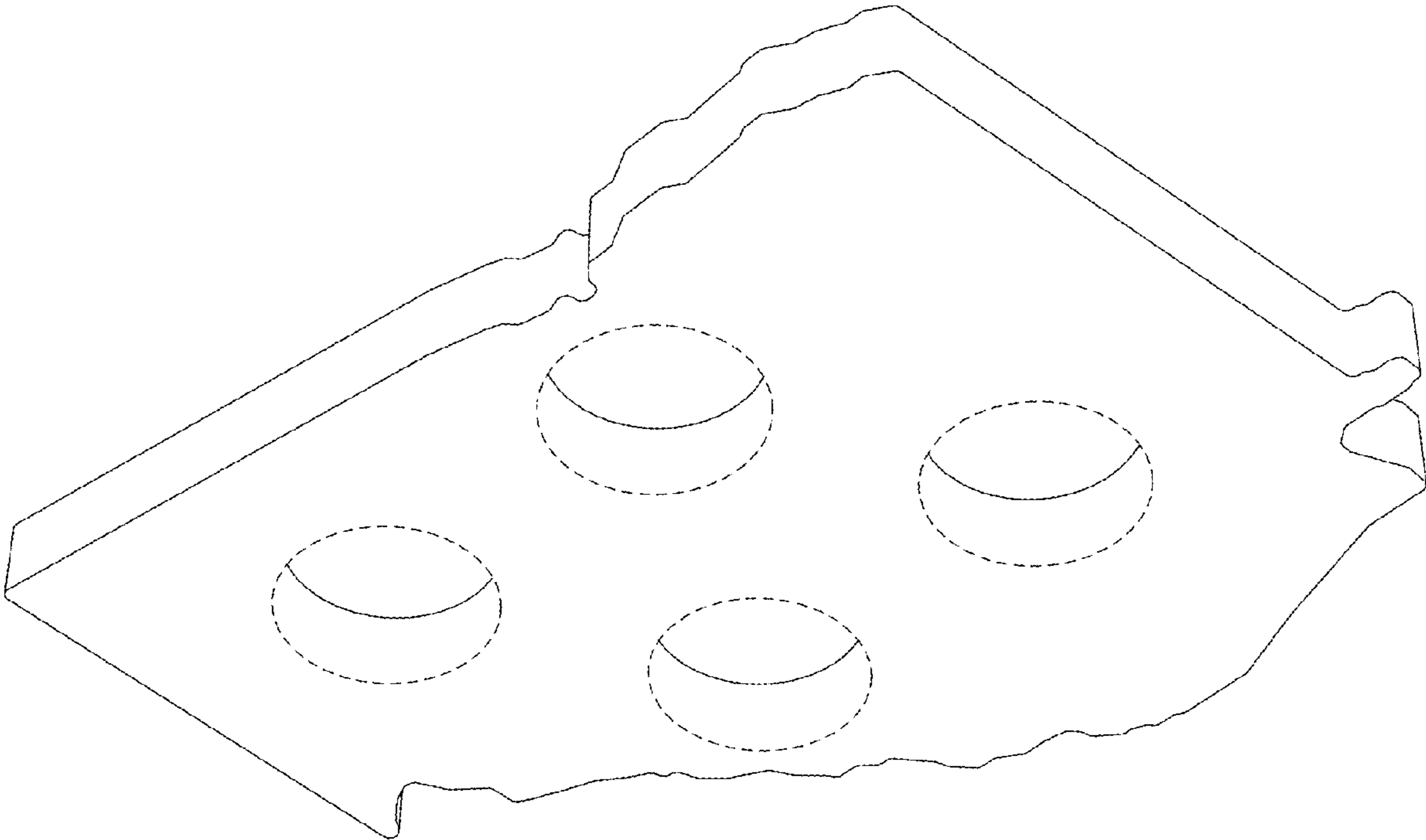


FIG. 8

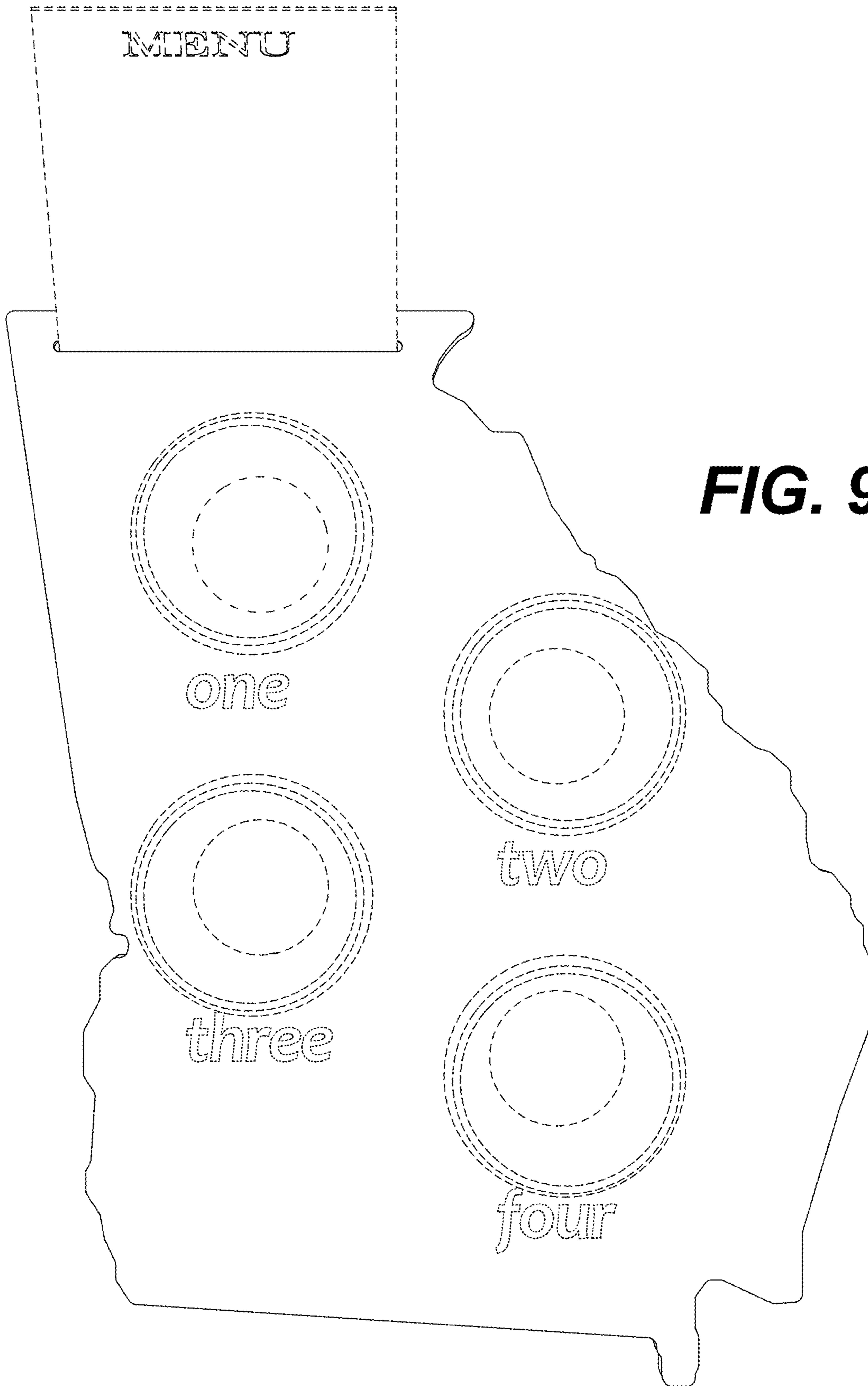
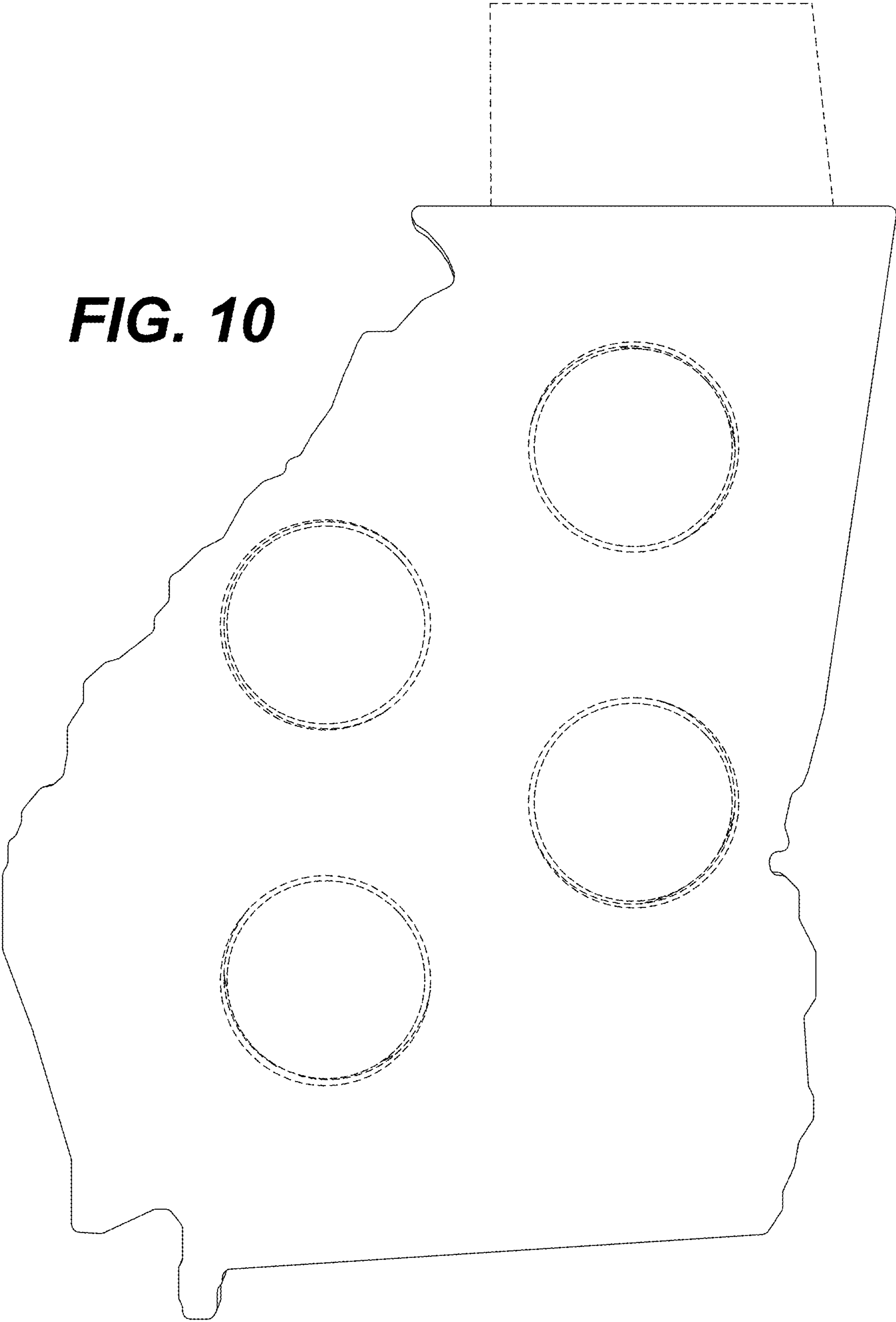


FIG. 10



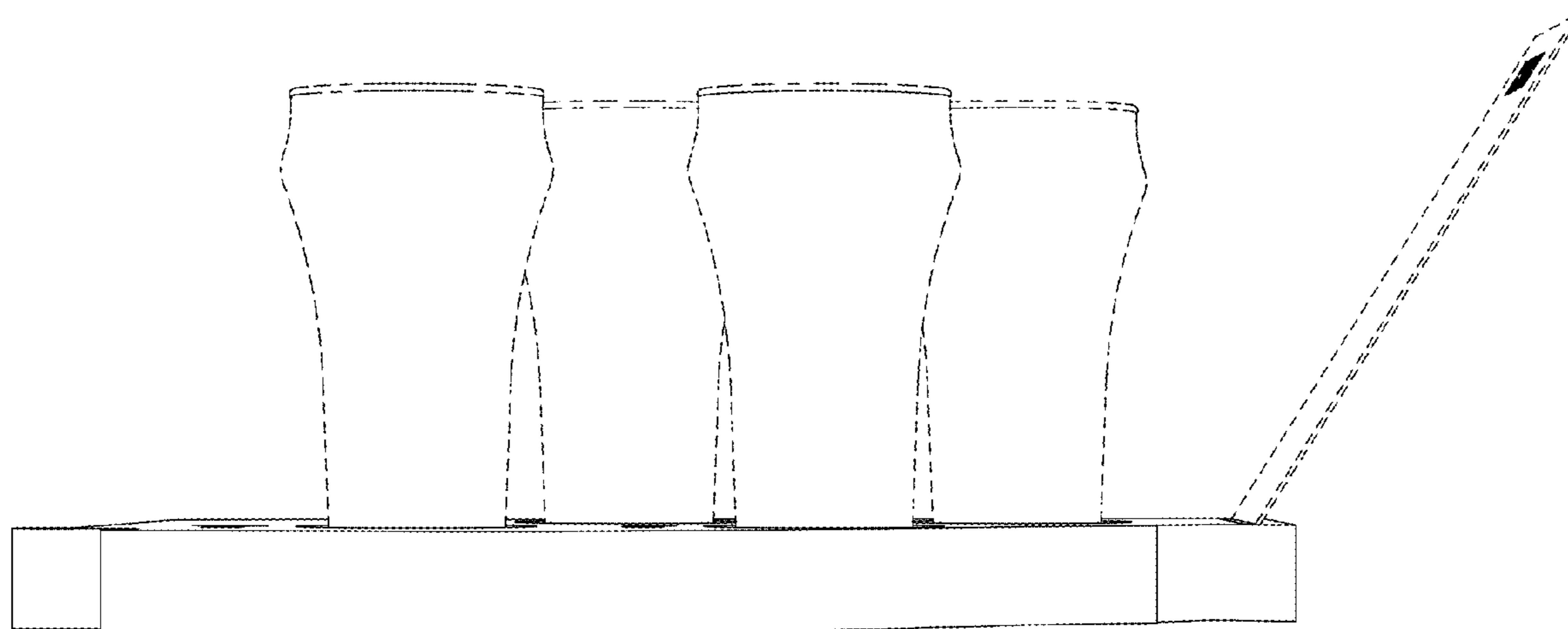


FIG. 11

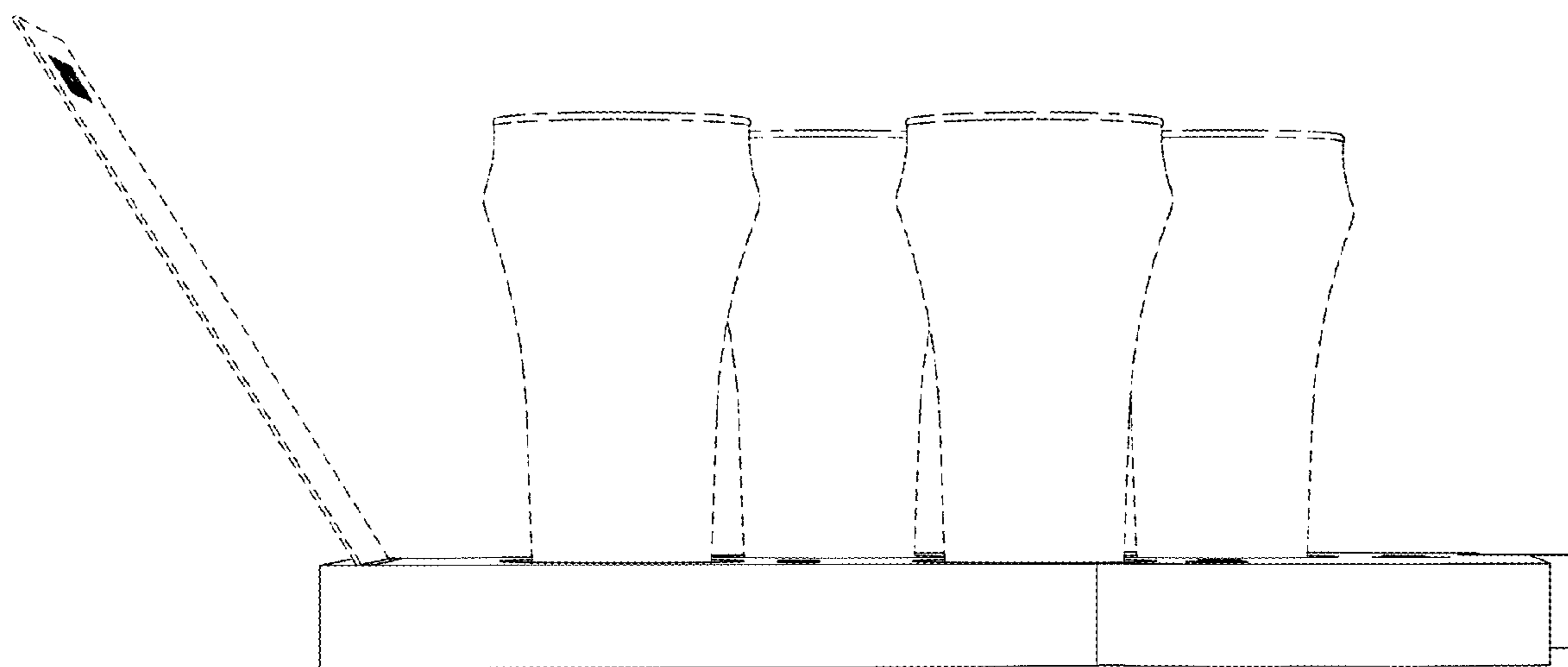


FIG. 12

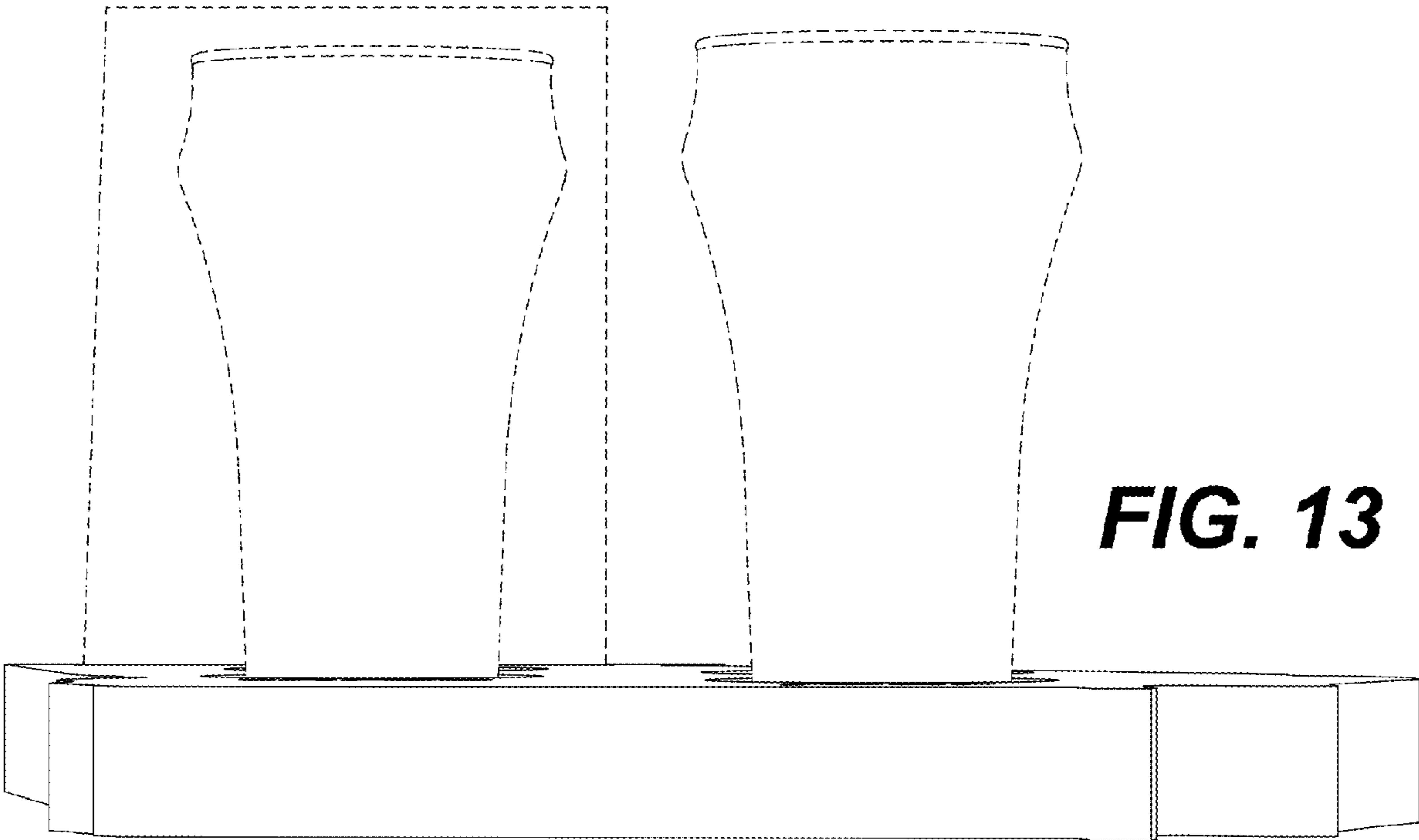


FIG. 13

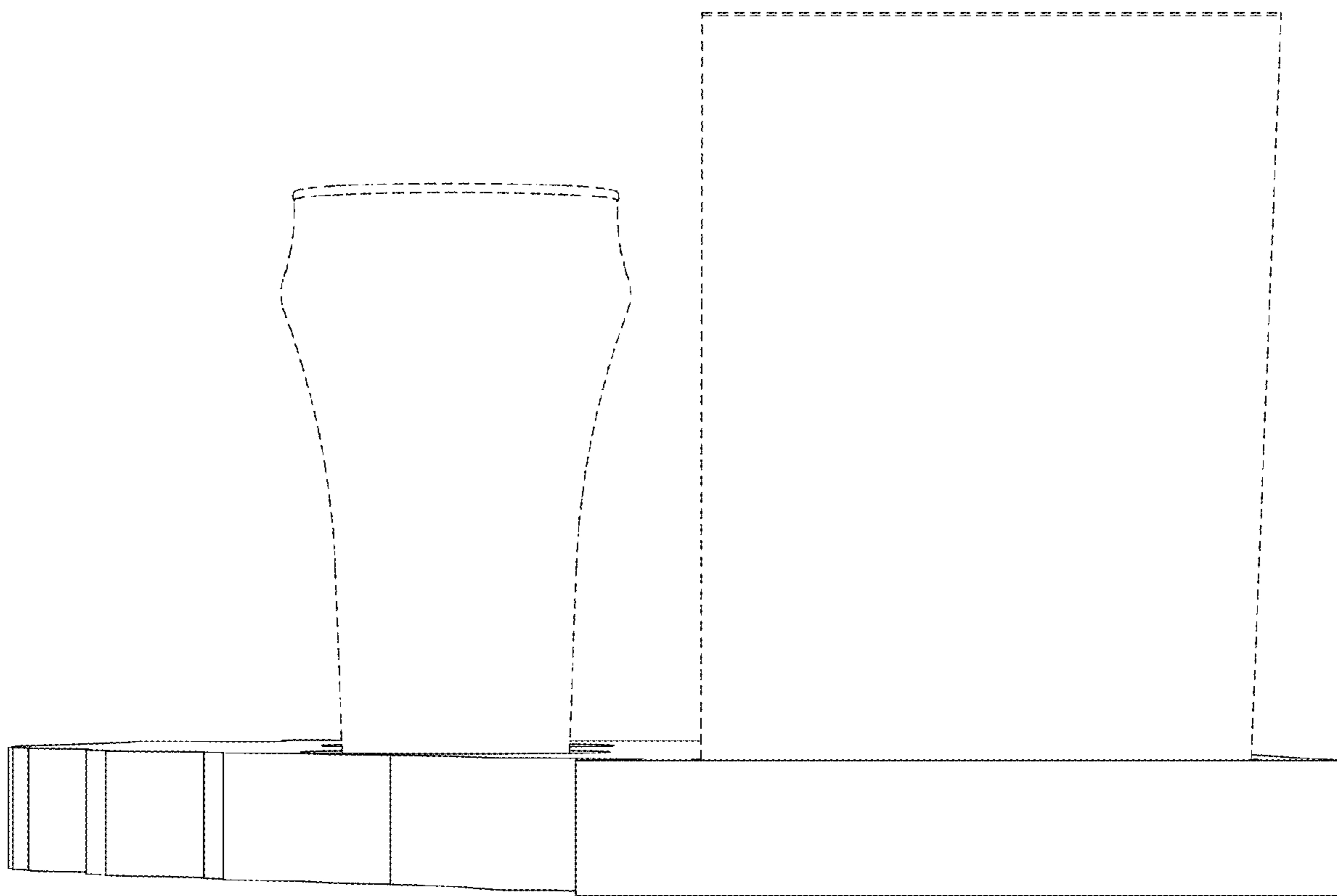


FIG. 14

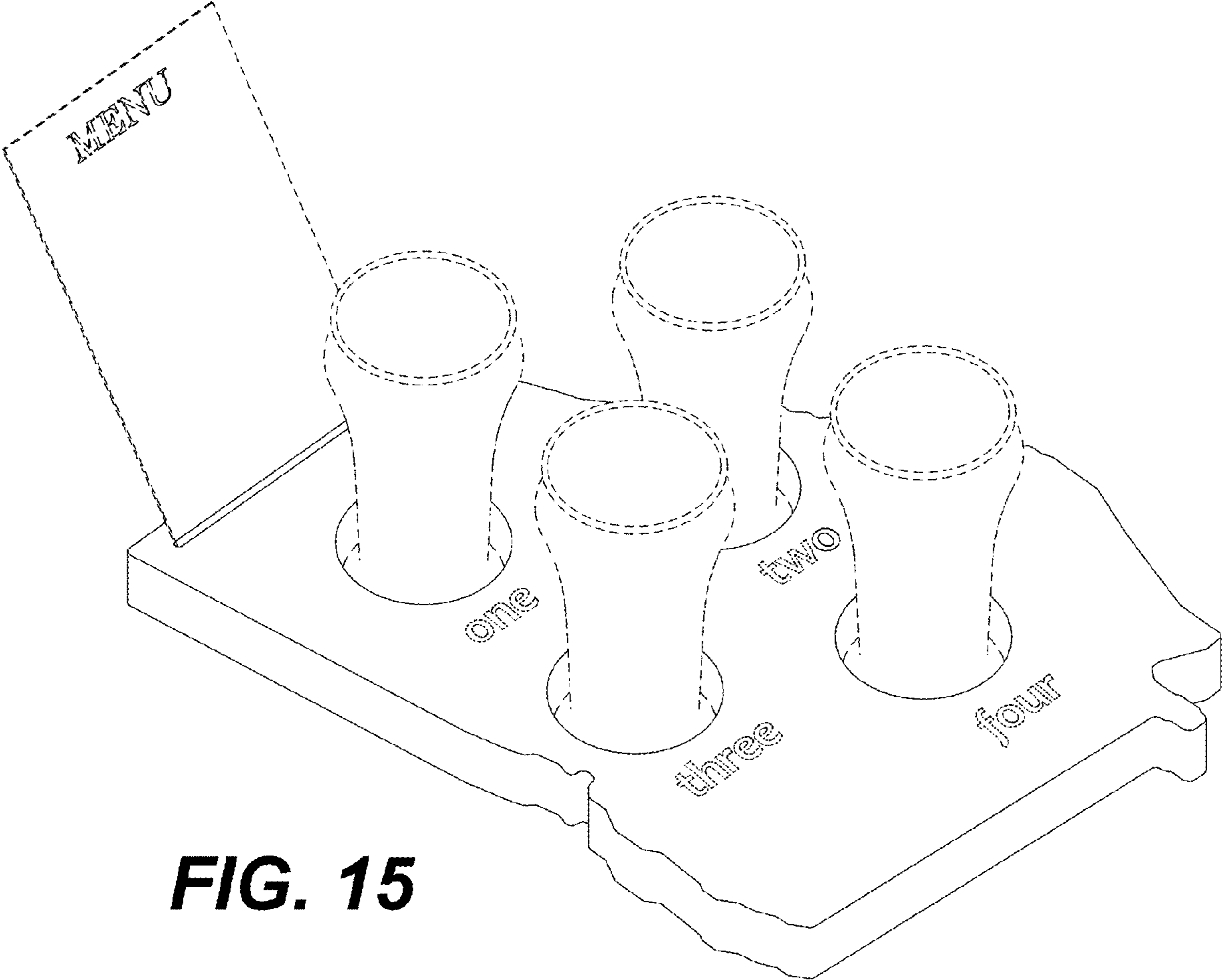


FIG. 15

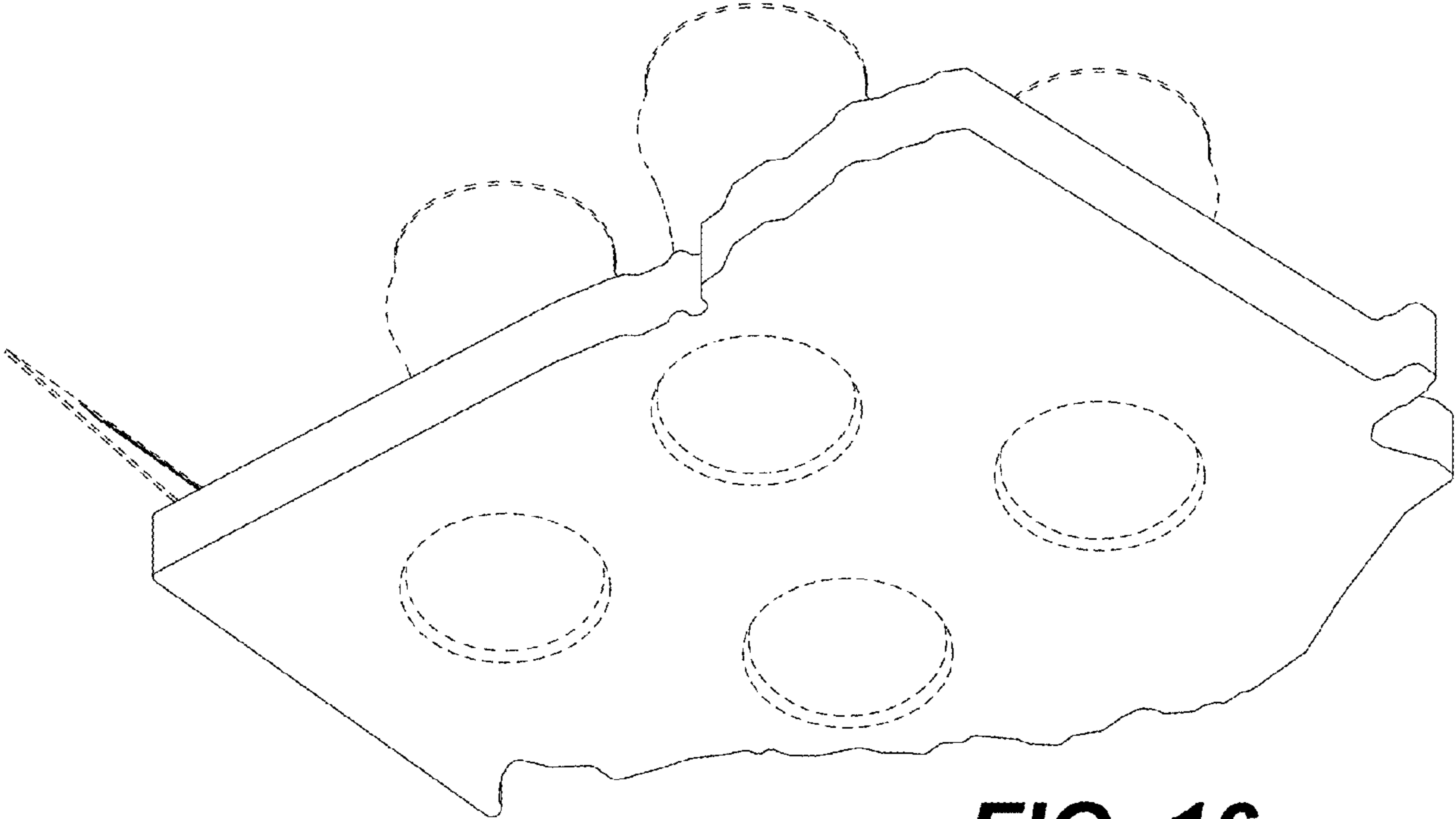


FIG. 16

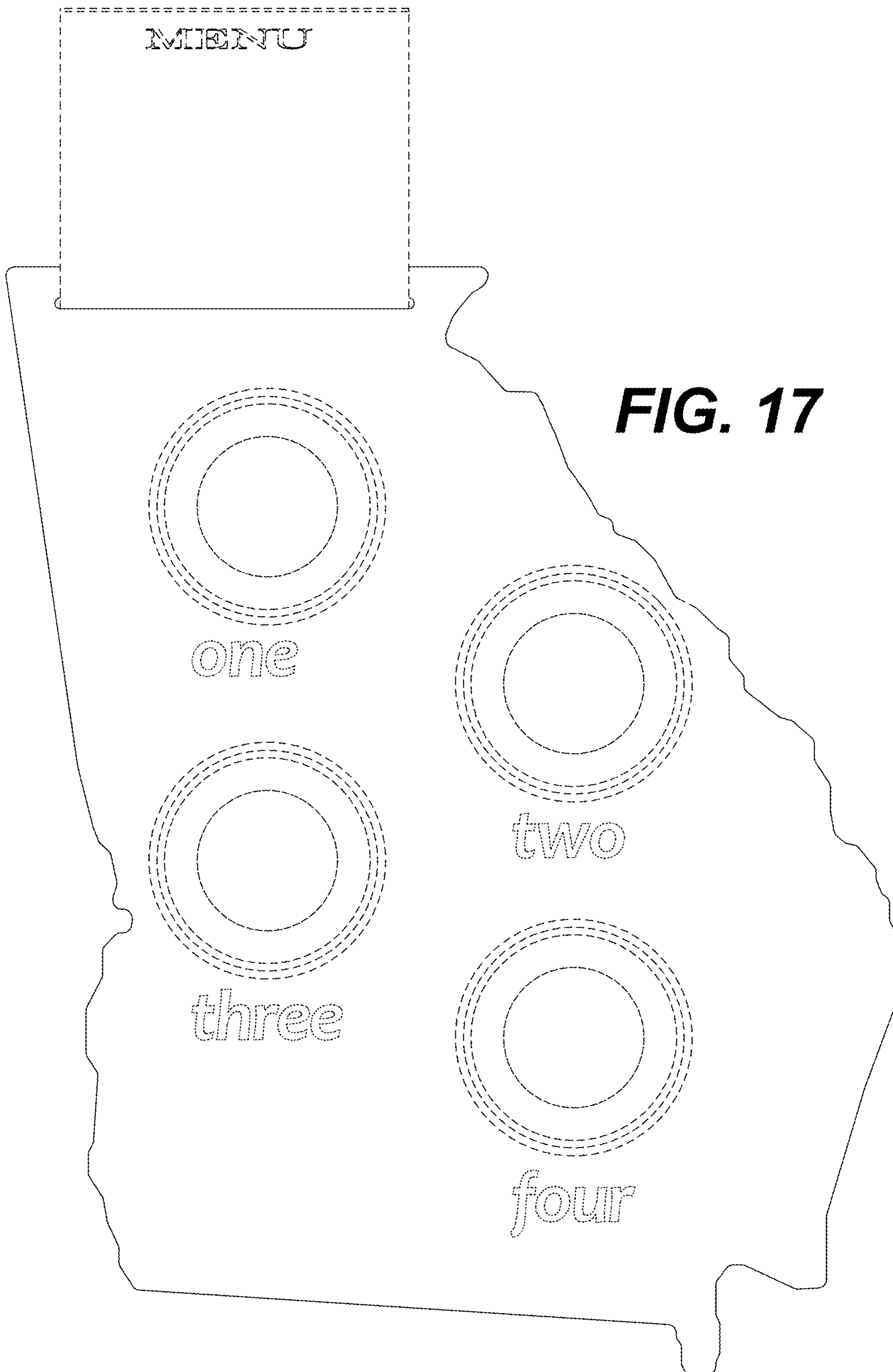
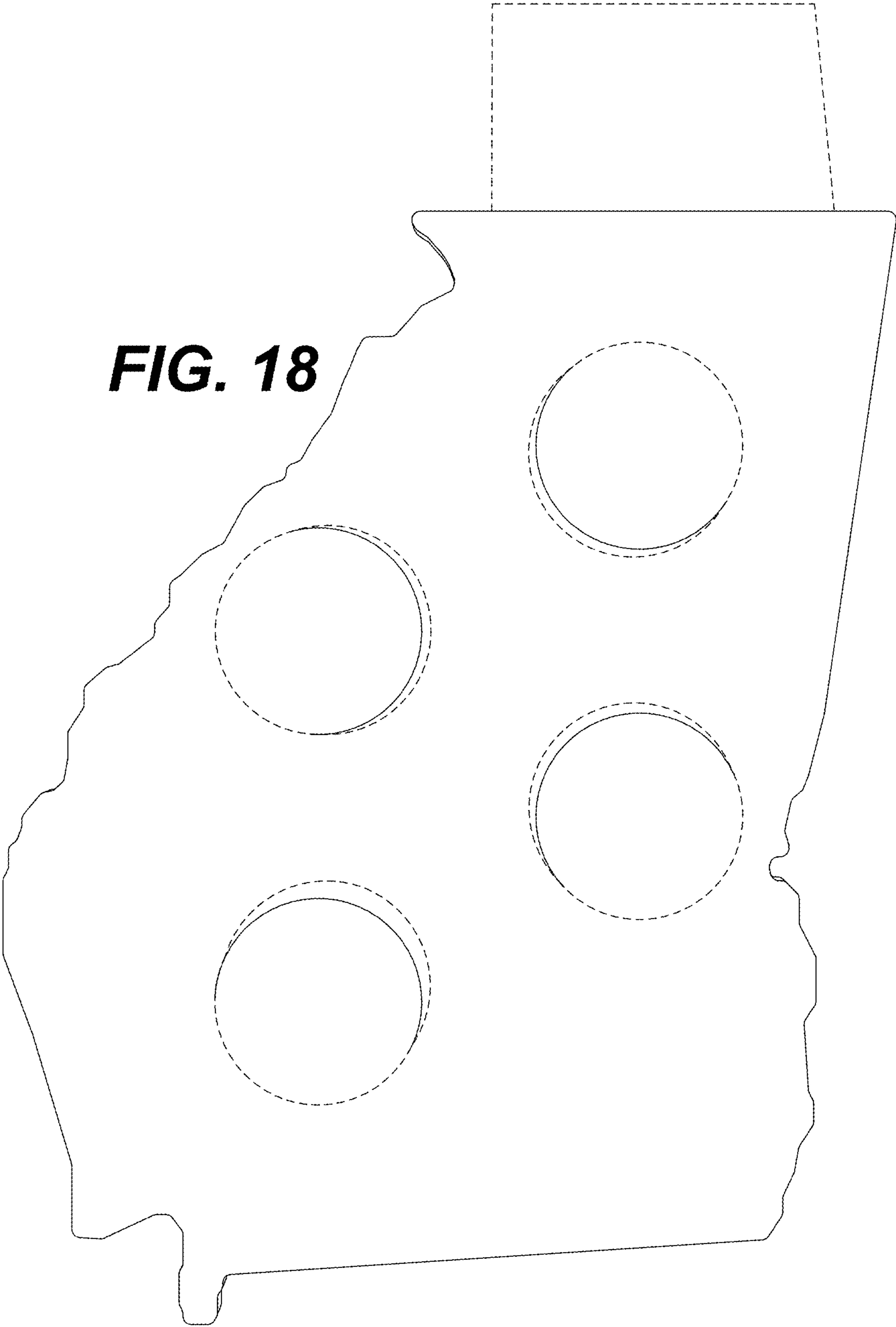


FIG. 18



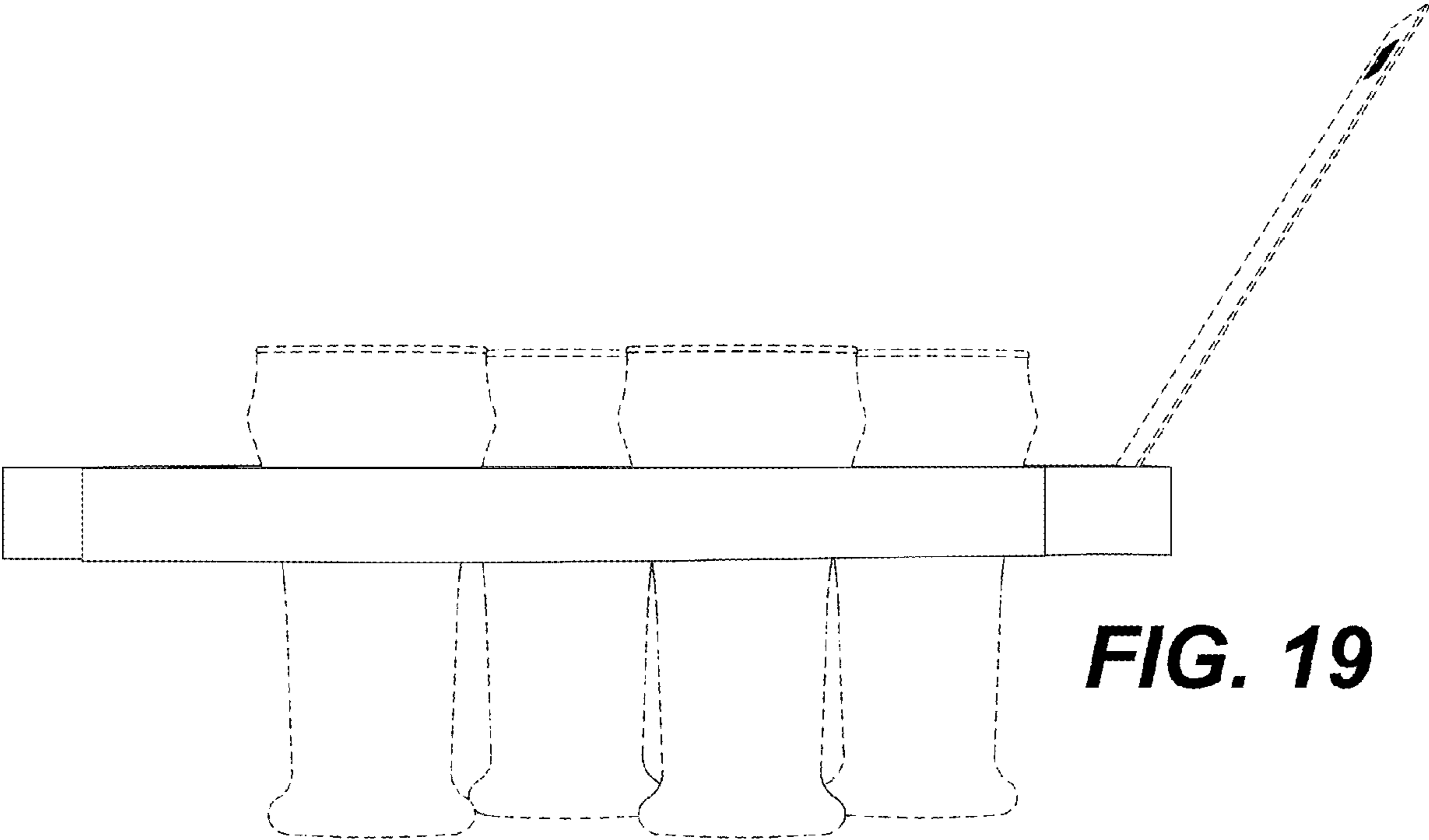


FIG. 19

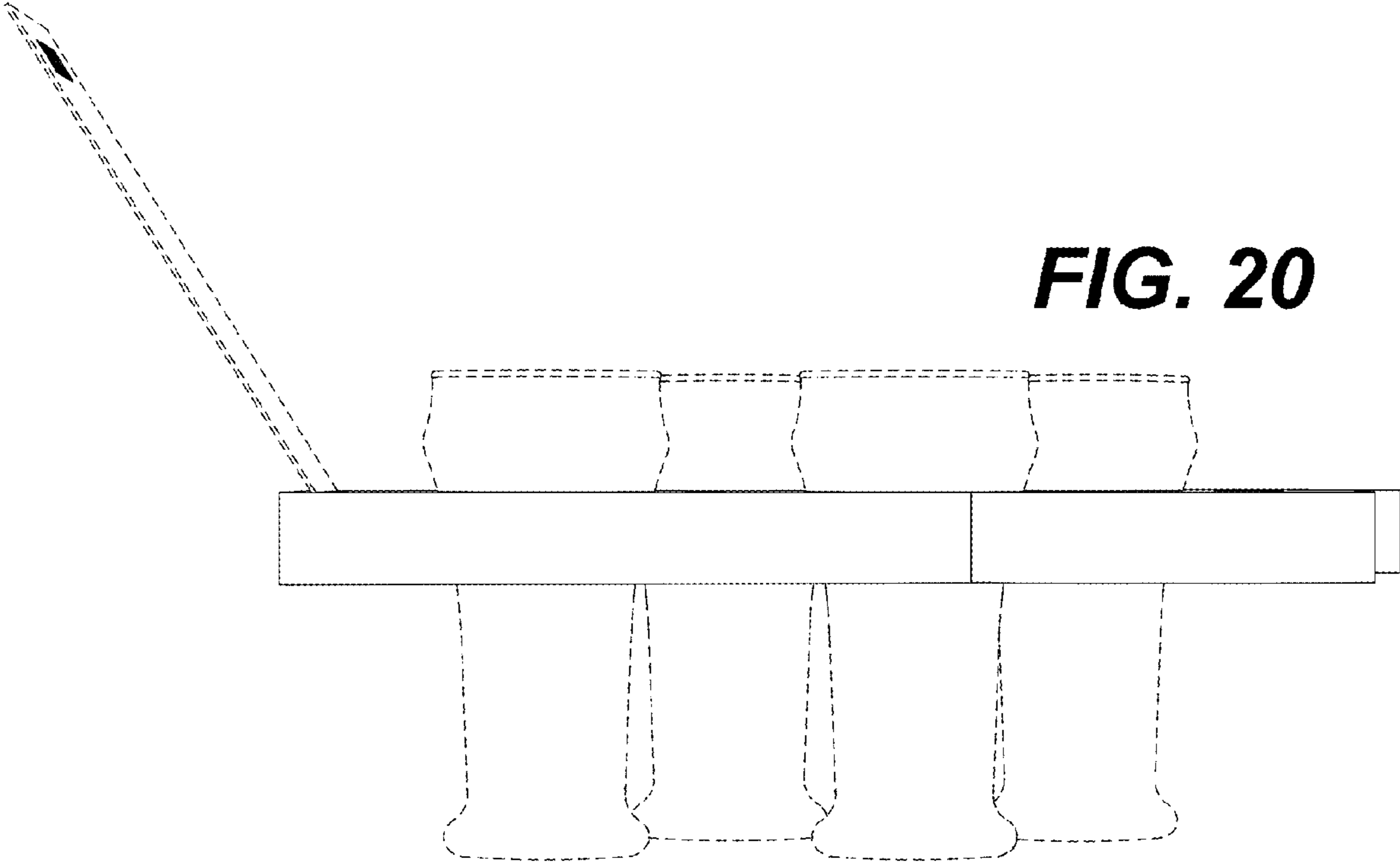


FIG. 20

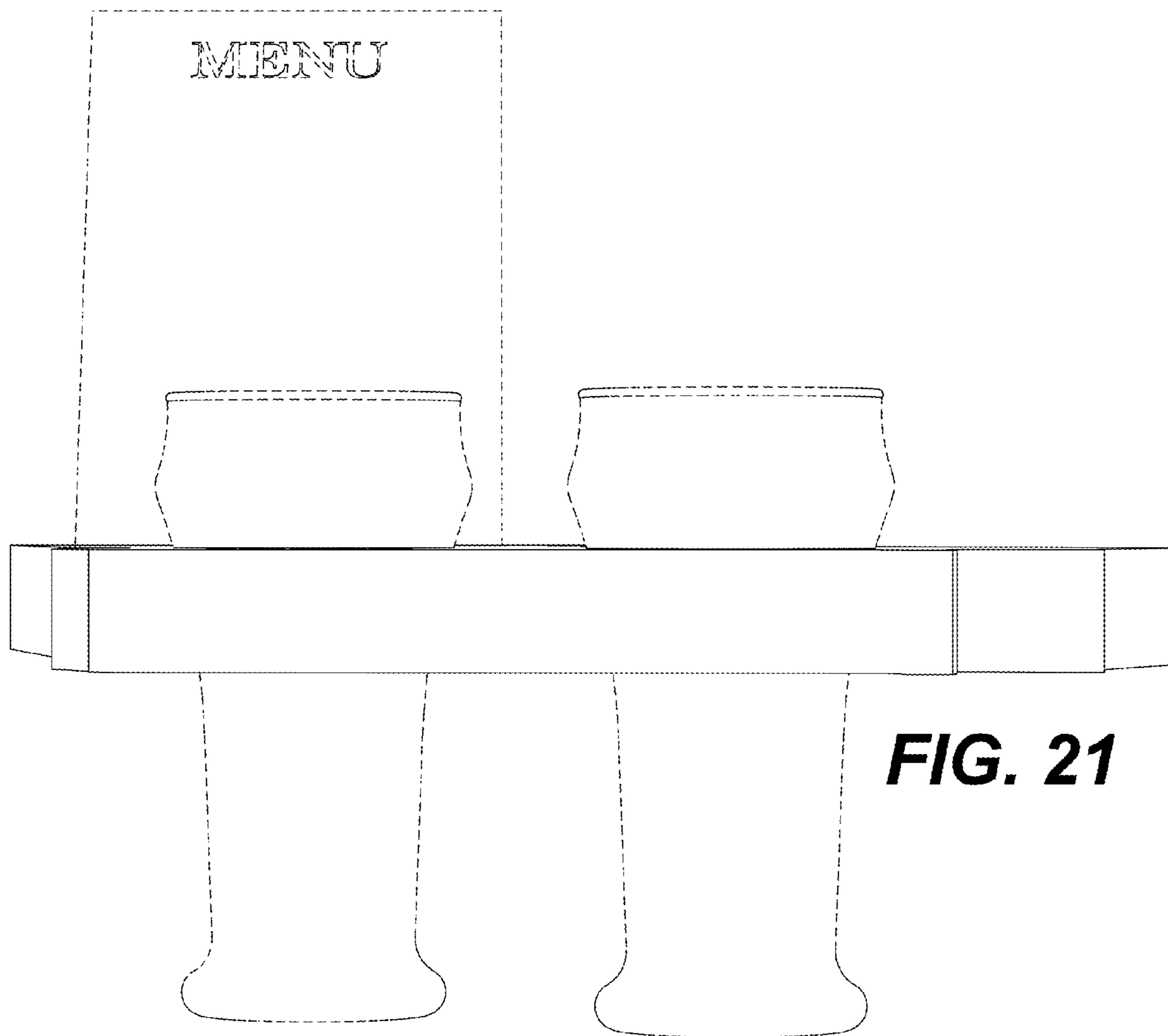


FIG. 21

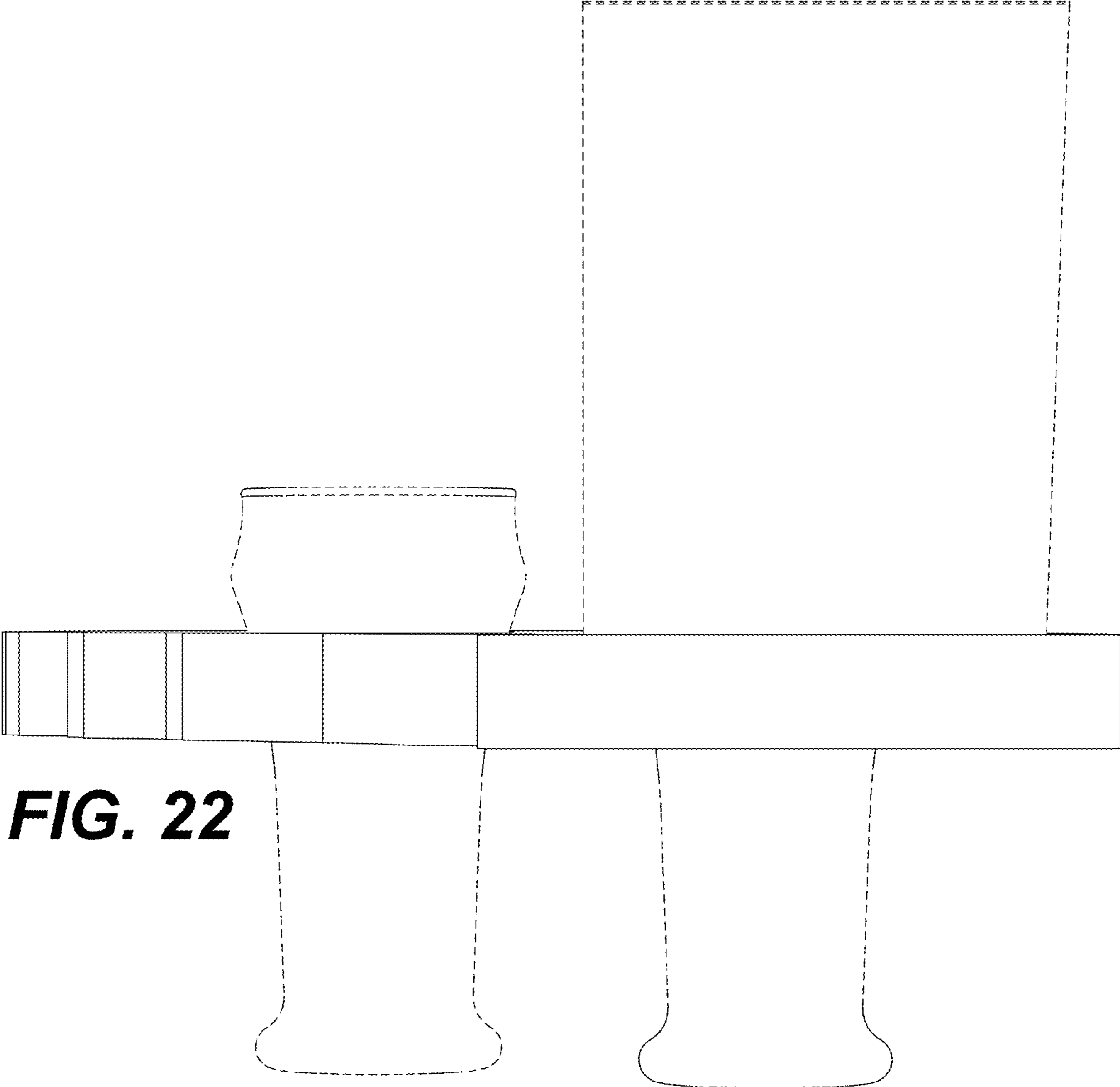


FIG. 22

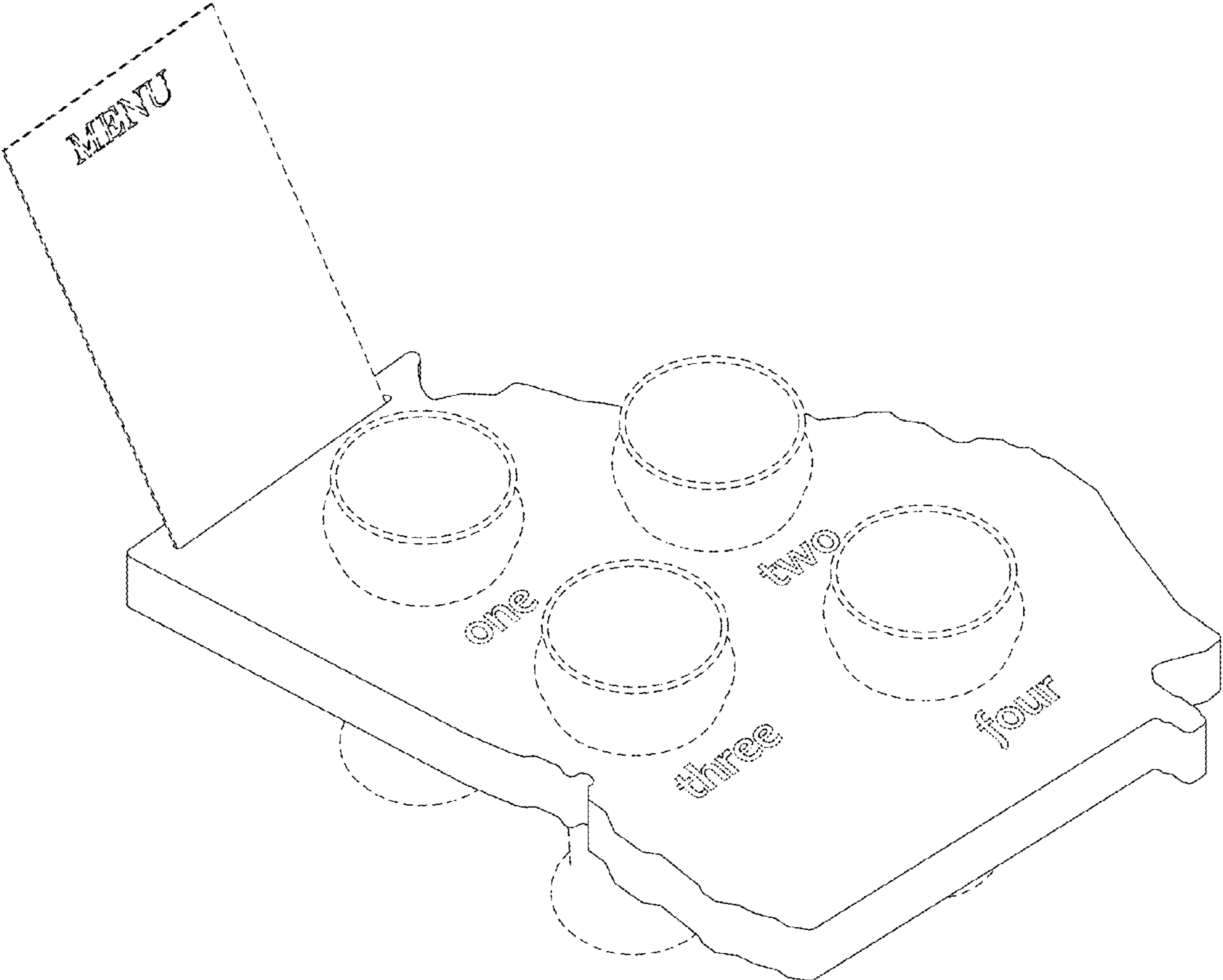


FIG. 23

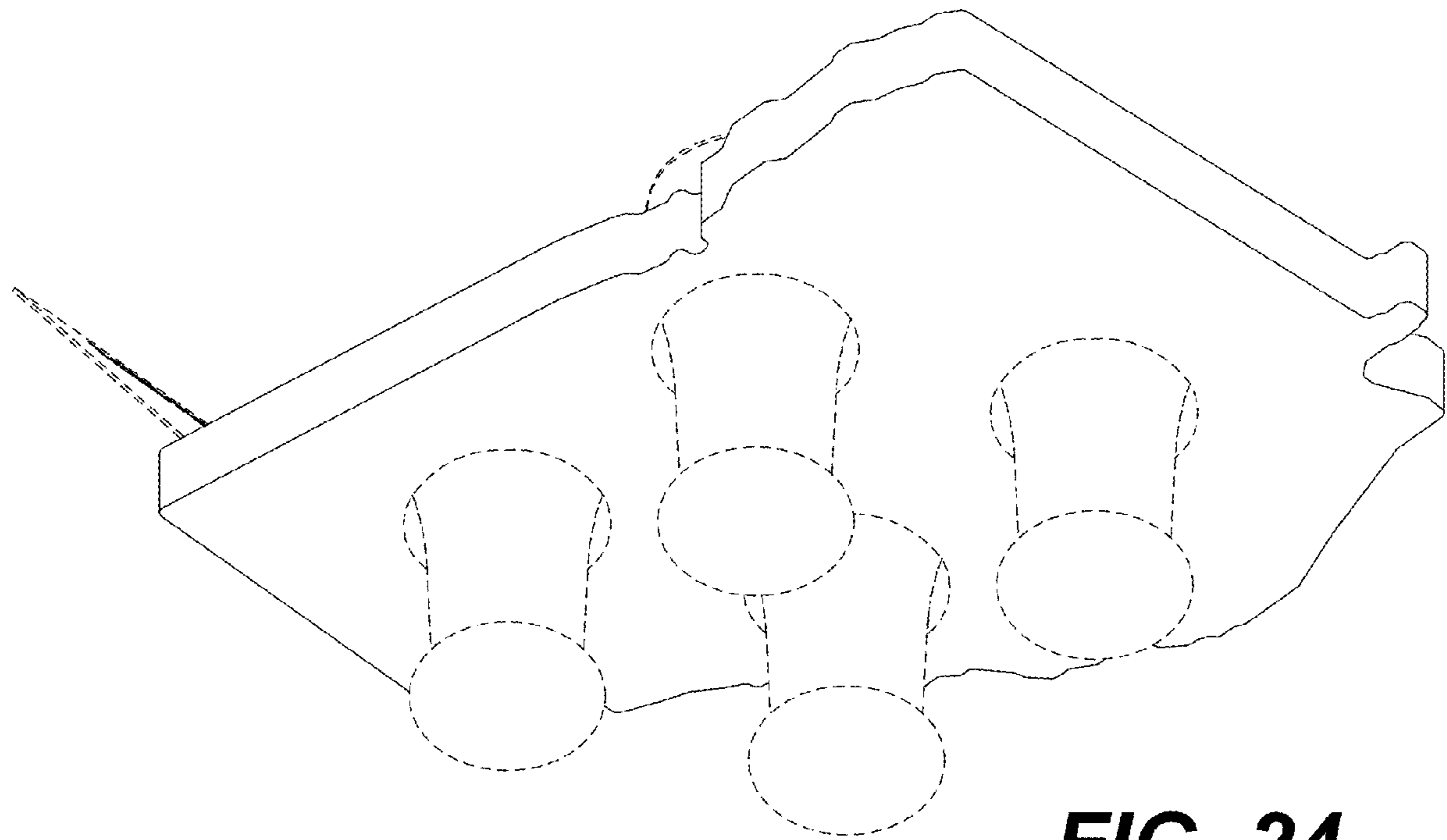


FIG. 24