



US00D906759S

(12) **United States Design Patent** (10) **Patent No.:** **US D906,759 S**
Romzek et al. (45) **Date of Patent:** **** Jan. 5, 2021**

(54) **ASH CAN FOR A BARBECUE GRILL**
(71) Applicants: **Chadwick Irvin Romzek**, Neenah, WI (US); **Michael C. Chance**, Suwanee, GA (US)
(72) Inventors: **Chadwick Irvin Romzek**, Neenah, WI (US); **Michael C. Chance**, Suwanee, GA (US)
(**) Term: **15 Years**
(21) Appl. No.: **29/676,876**

D295,135 S 4/1988 Ogden
5,036,832 A * 8/1991 Schlosser A47J 37/0704
126/243
D381,557 S * 7/1997 Bradley D7/332
D462,563 S * 9/2002 Bossier D7/334
D464,227 S * 10/2002 Eisinger D7/332
D464,529 S * 10/2002 Eisinger D7/402
D472,757 S 4/2003 Schulte
D482,561 S * 11/2003 Yeh D7/332
D508,188 S * 8/2005 Zettle D7/615
D508,364 S * 8/2005 Nipke D7/334
D672,617 S * 12/2012 Stamper D7/602
D708,903 S * 7/2014 Wong D7/413
D714,090 S * 9/2014 Harper D7/334
D717,094 S * 11/2014 Chung D7/334

(22) Filed: **Jan. 15, 2019**
(51) **LOC (13) Cl.** **07-02**
(52) **U.S. Cl.**
USPC **D7/409; D7/354**
(58) **Field of Classification Search**
USPC D7/323, 332, 334-337, 354-355,
D7/359-364, 387-388, 402, 407-409,
D7/413, 587, 602, 629
CPC A21B 2/00; A21B 3/00; A21B 3/13; A21B
3/15; A21B 5/00; A21B 5/02; A23N
12/06; A23N 12/08; A23N 12/10; A47J
37/00; A47J 37/04; A47J 37/041; A47J
37/042; A47J 37/06; A47J 37/0688; A47J
37/0694; A47J 37/07; A47J 37/0704;
A47J 37/10; A47J 47/20; A47J 2037/00;
A47J 2037/06; A47J 2037/0611; A47J
2037/07; A47J 2037/0786; A47J
2037/0795; F24C 15/10; F24C 15/12;
F24C 15/14; F24C 15/16; F24C 15/18;
F24C 15/164
See application file for complete search history.

(56) **References Cited**
U.S. PATENT DOCUMENTS

D263,165 S 2/1982 Day
D286,726 S * 11/1986 Daenen D7/587

OTHER PUBLICATIONS

Website photographs showing Kamado Joe grill and ash tray sold since at least as early as about 2014.

* cited by examiner

Primary Examiner — Ricky Pham
(74) *Attorney, Agent, or Firm* — Jeffrey S. Sokol

(57) **CLAIM**

The ornamental design of an ash can for a barbecue grill, as shown and described.

DESCRIPTION

FIG. 1 is a perspective view showing the ash can for a barbecue grill;
FIG. 2 is a top view showing the ash can;
FIG. 3 is a bottom view showing the ash can;
FIG. 4 is a front view showing the ash can;
FIG. 5 is a rear view showing the ash can;
FIG. 6 is a side view showing the ash can; and,
FIG. 7 is an opposite side view showing the ash can.

1 Claim, 5 Drawing Sheets

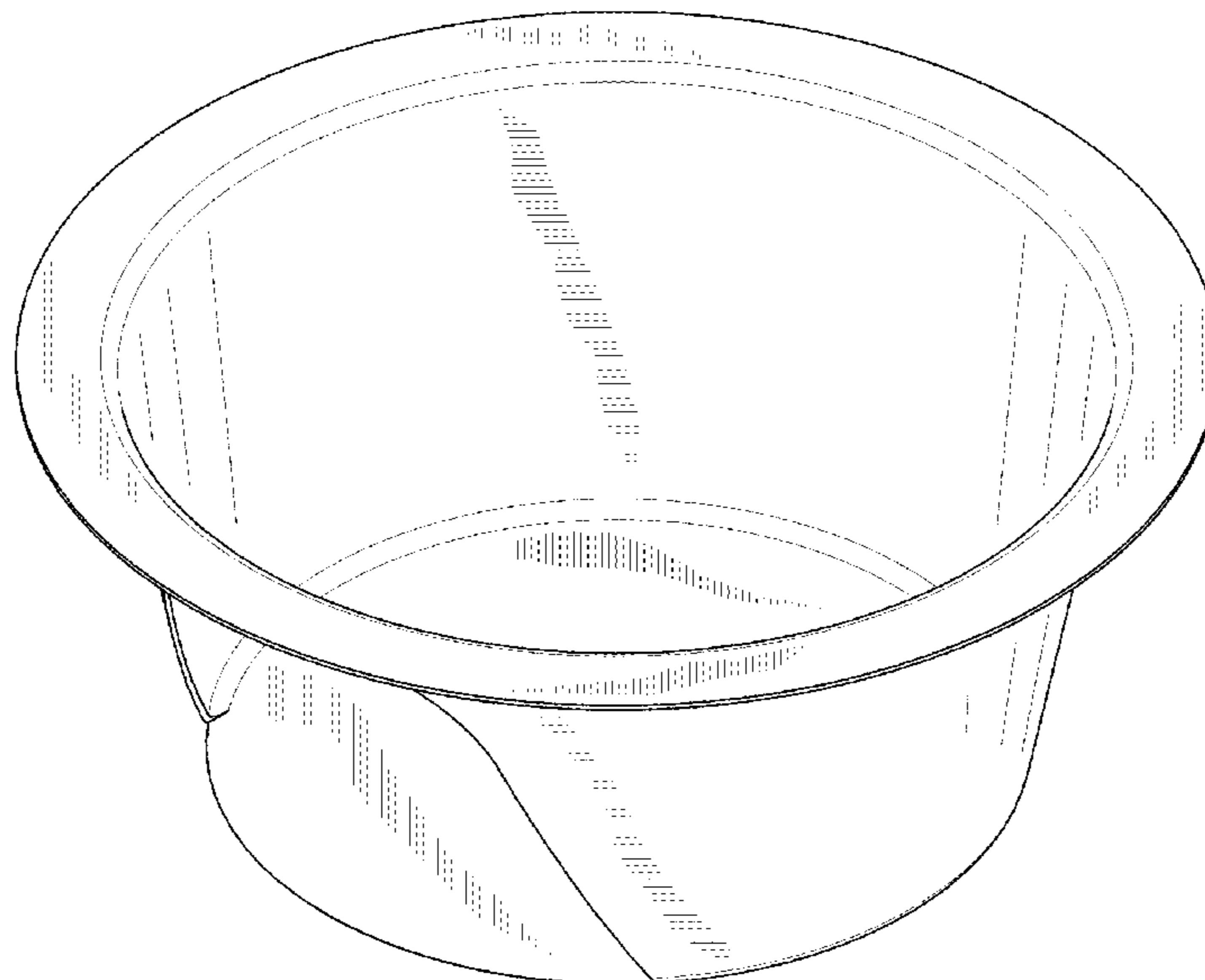


FIG. 1

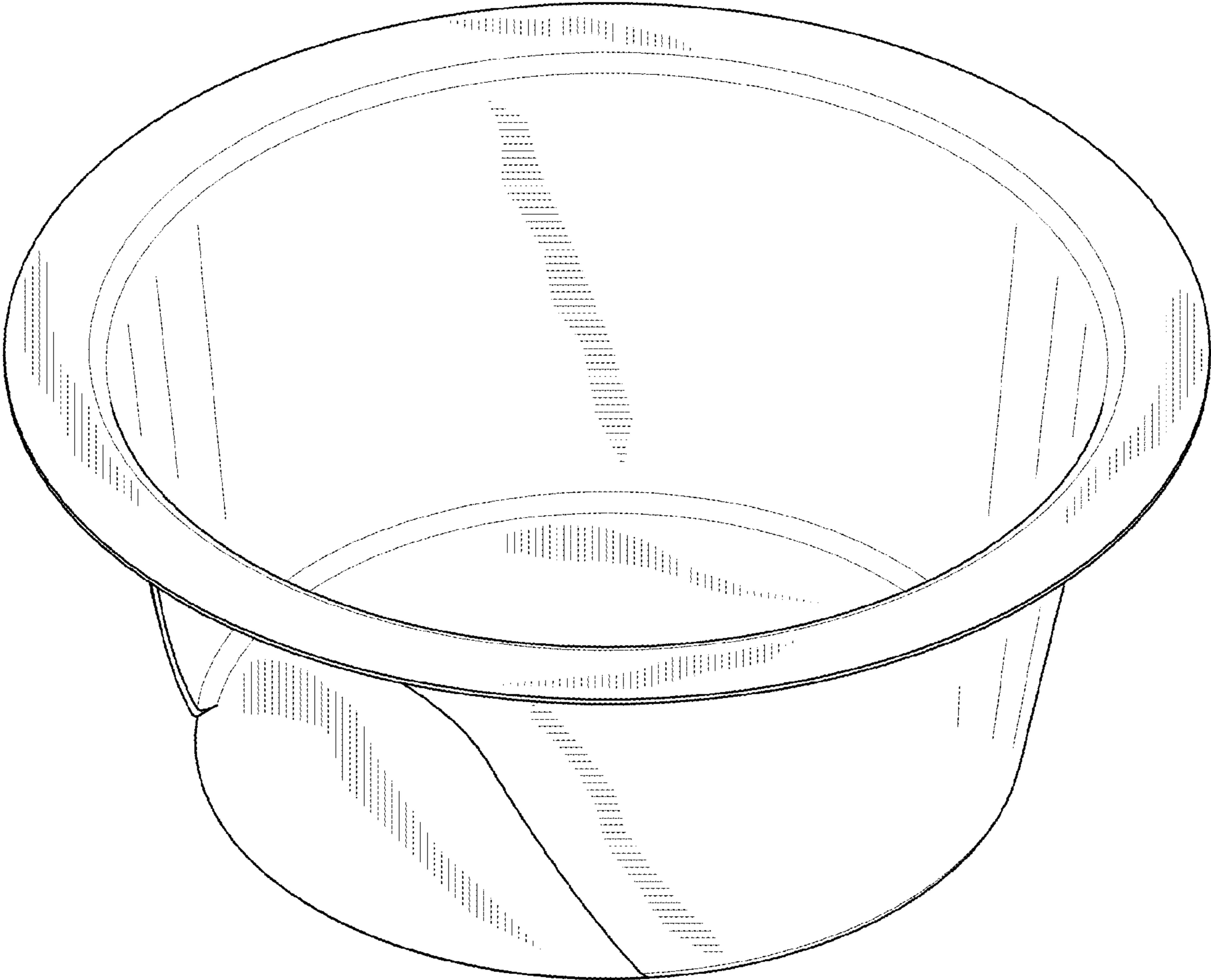


FIG. 2

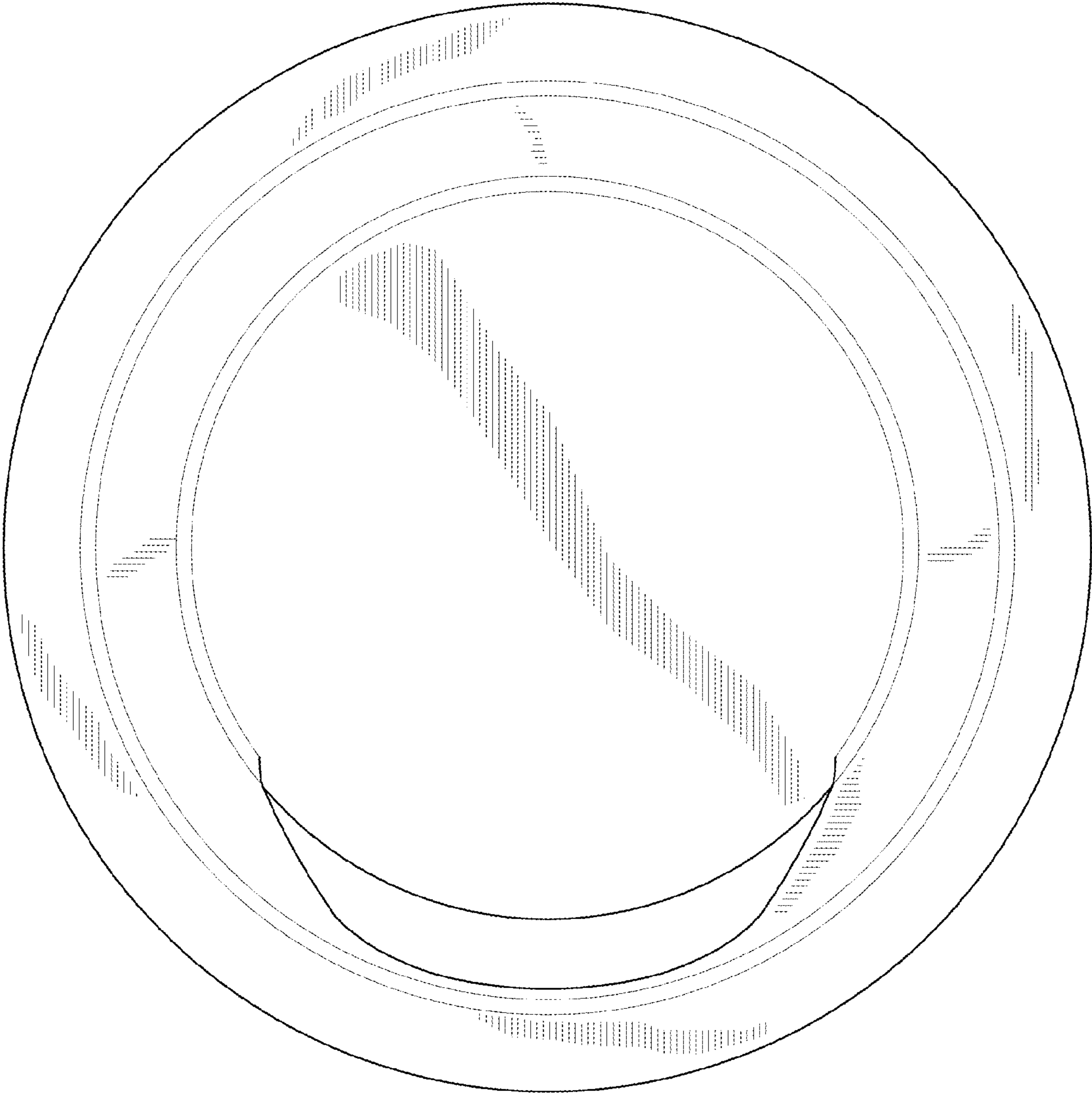


FIG. 3

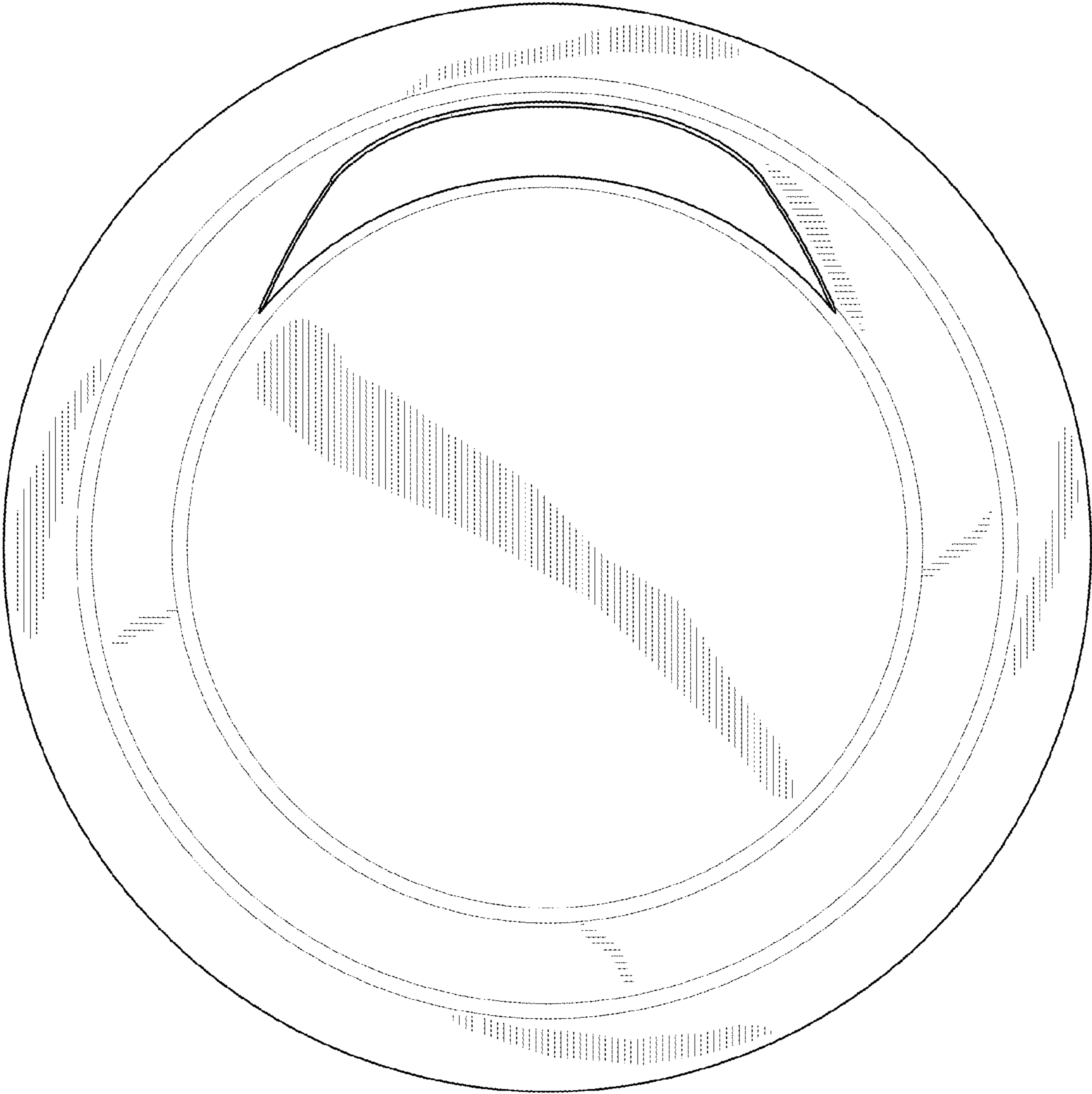


FIG. 4

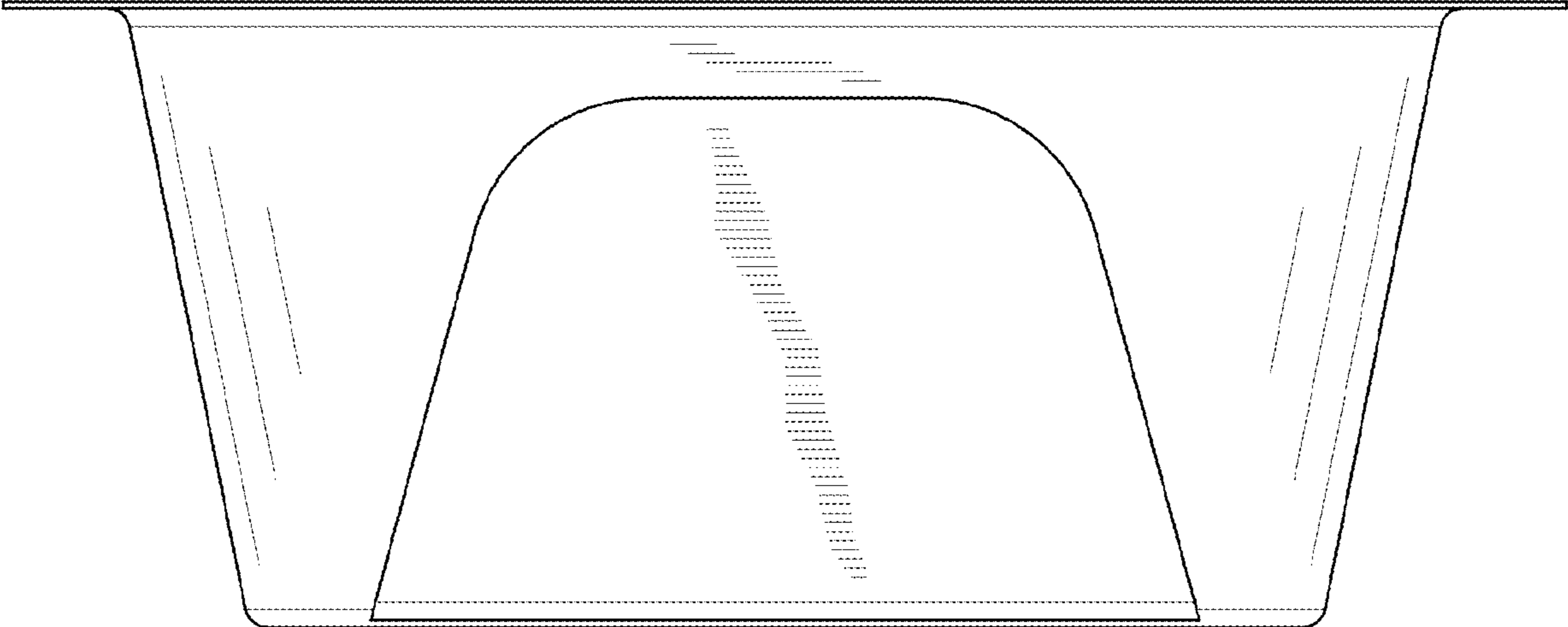


FIG. 5



FIG. 6

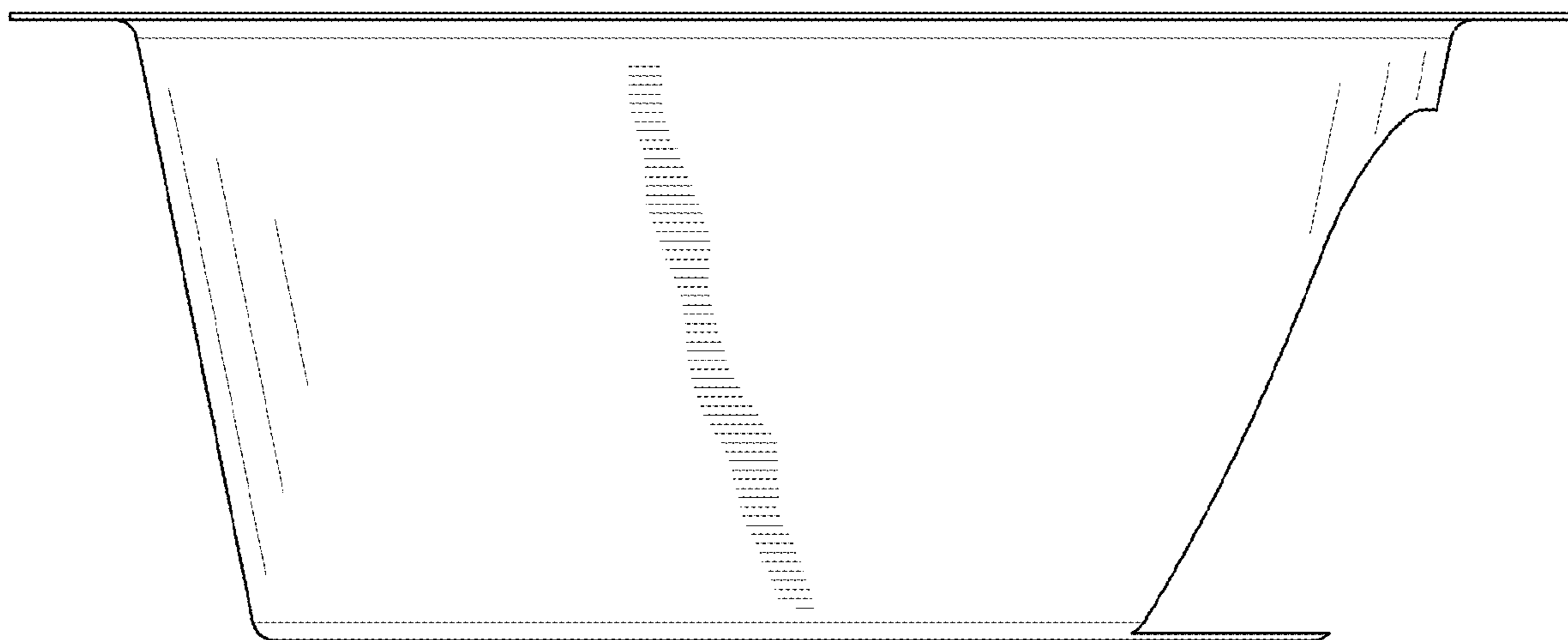


FIG. 7

