



US00D906758S

(12) **United States Design Patent** (10) **Patent No.:** **US D906,758 S**  
**Hagger** (45) **Date of Patent:** **\*\* Jan. 5, 2021**

(54) **LID ASSEMBLY FOR WATER KETTLE**

(71) Applicant: **William Evans Retail LTD**, London (GB)

(72) Inventor: **Sam Hagger**, Woking (GB)

(73) Assignee: **William Evans Retail LTD**, London (GB)

(\*\*) Term: **15 Years**

(21) Appl. No.: **29/669,594**

(22) Filed: **Nov. 9, 2018**

4,721,214 A	1/1988	Wandel	
D364,991 S	12/1995	Lee	
RE37,988 E	2/2003	Uss	
D488,340 S	4/2004	Zimmermann	
6,792,848 B1	9/2004	Janky	
6,968,984 B2	11/2005	Mulle	
D561,519 S	2/2008	Ranzoni	
7,464,637 B1	12/2008	Lin	
D622,090 S *	8/2010	Bodum	D7/317
D633,324 S *	3/2011	Mondragon	D7/317
8,387,517 B2	3/2013	Geissler	
D683,584 S	6/2013	Gross	
9,016,518 B2	4/2015	Paul	
D752,911 S *	4/2016	Bazzicalupo	D7/317
9,943,185 B2	4/2018	Chen	
D861,408 S *	10/2019	Hagger	D7/312
D862,147 S *	10/2019	Hagger	D7/312
D862,964 S *	10/2019	Tokoi	D7/318

(Continued)

**Related U.S. Application Data**

(63) Continuation-in-part of application No. 29/647,914, filed on May 16, 2018, now Pat. No. Des. 862,147, and a continuation-in-part of application No. 29/647,912, filed on May 16, 2018, now Pat. No. Des. 861,409.

(51) **LOC (13) Cl.** ..... **07-99**

(52) **U.S. Cl.**  
USPC ..... **D7/397; D7/393**

(58) **Field of Classification Search**  
USPC ..... D7/300, 312, 316, 318, 397, 393, 396;  
D9/435, 436, 439, 440  
CPC ..... A47G 19/14; A47J 27/21; A47J 27/21008;  
A47J 31/40; B65D 43/02; B65D 5/46  
See application file for complete search history.

(56) **References Cited**

**U.S. PATENT DOCUMENTS**

2,083,632 A	6/1937	Beck
3,355,045 A	11/1967	Douglas
D232,411 S	8/1974	Douglas
3,974,758 A	8/1976	Stone, Jr.
4,498,375 A	2/1985	Bedini
4,718,566 A	1/1988	Wunder

*Primary Examiner* — Susan E Krakower

*Assistant Examiner* — Andrew Kerr

(74) *Attorney, Agent, or Firm* — Zeller IP Group, PLLC; Kyle M. Zeller

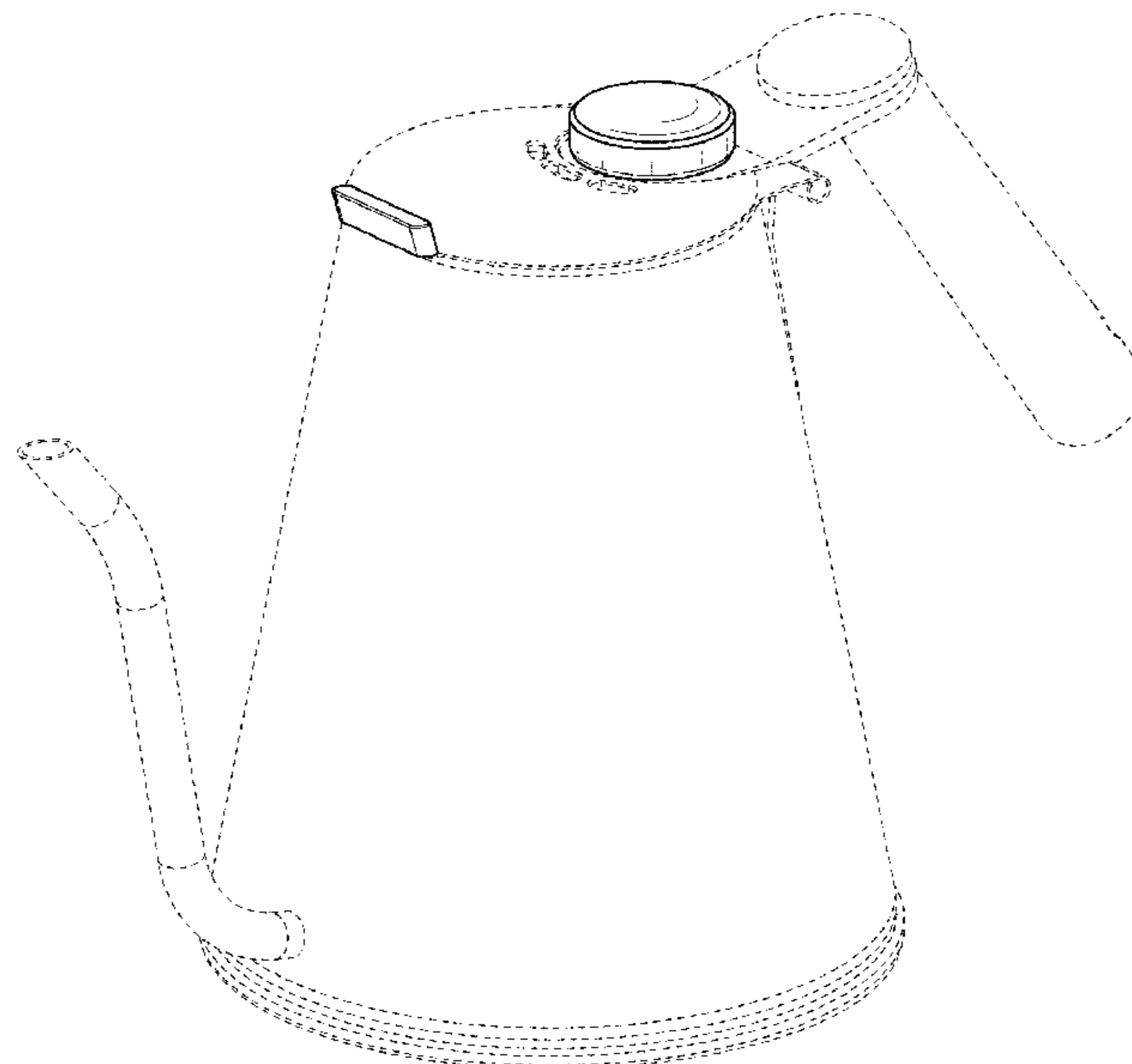
(57) **CLAIM**

The ornamental design for a lid assembly for water kettle, as shown and described.

**DESCRIPTION**

FIG. 1 is a front perspective view of a lid assembly for water kettle;  
FIG. 2 is a top view thereof;  
FIG. 3 is a left side view thereof;  
FIG. 4 is a front perspective view of a second embodiment of a lid assembly for water kettle;  
FIG. 5 is a top view thereof; and,  
FIG. 6 is a left side view thereof.  
The broken lines in the drawings depict portions of the lid assembly for water kettle that form no part of the claimed design.

**1 Claim, 4 Drawing Sheets**



(56)

**References Cited**

U.S. PATENT DOCUMENTS

2003/0012256	A1	1/2003	Burkholder	
2004/0056027	A1	3/2004	Miller	
2006/0011630	A1	1/2006	Mulle	
2015/0122688	A1	5/2015	Dias	
2015/0245743	A1	9/2015	Rosenfeld	
2018/0099793	A1*	4/2018	Beber .....	A47J 31/00

\* cited by examiner

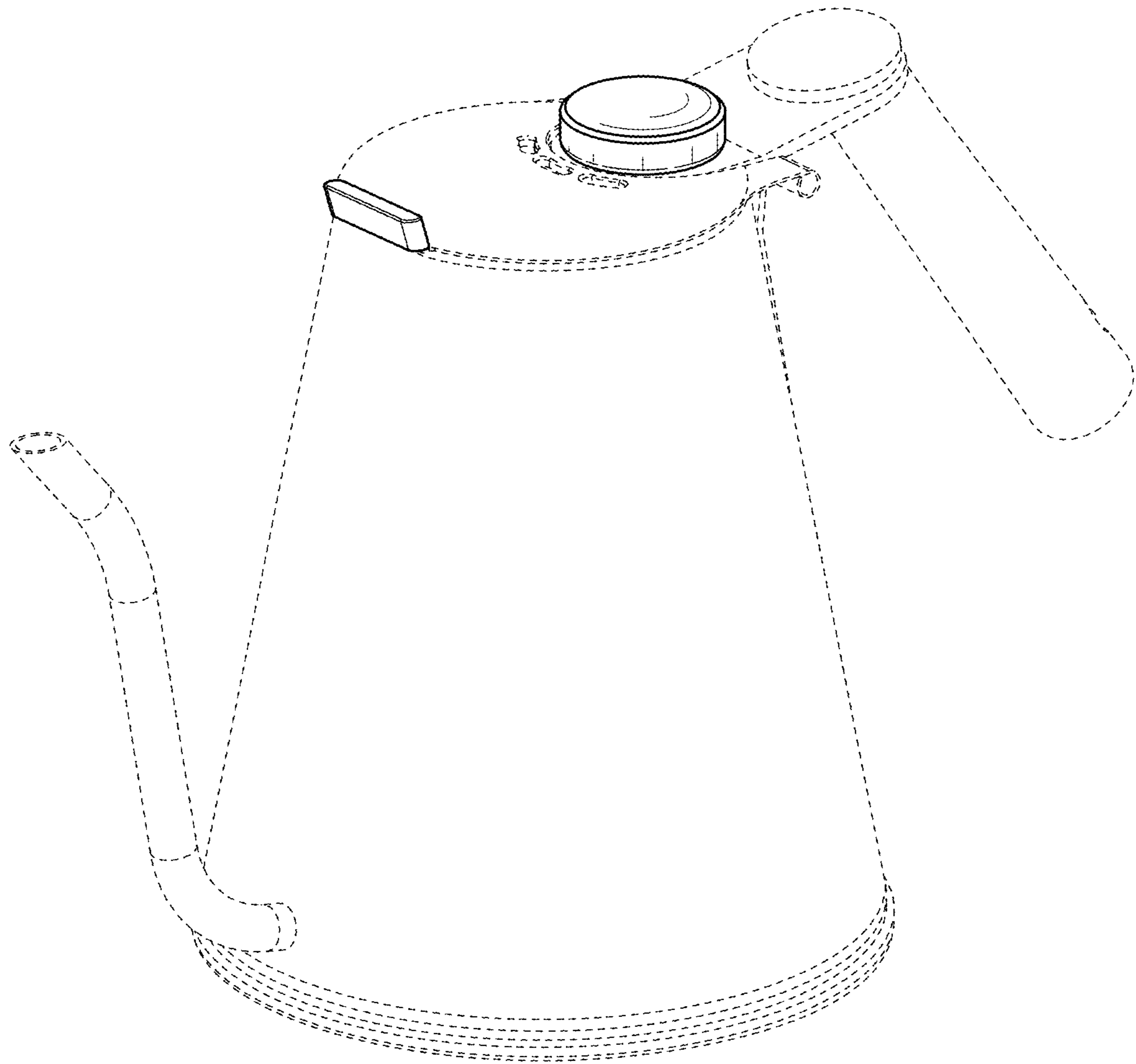


FIG. 1

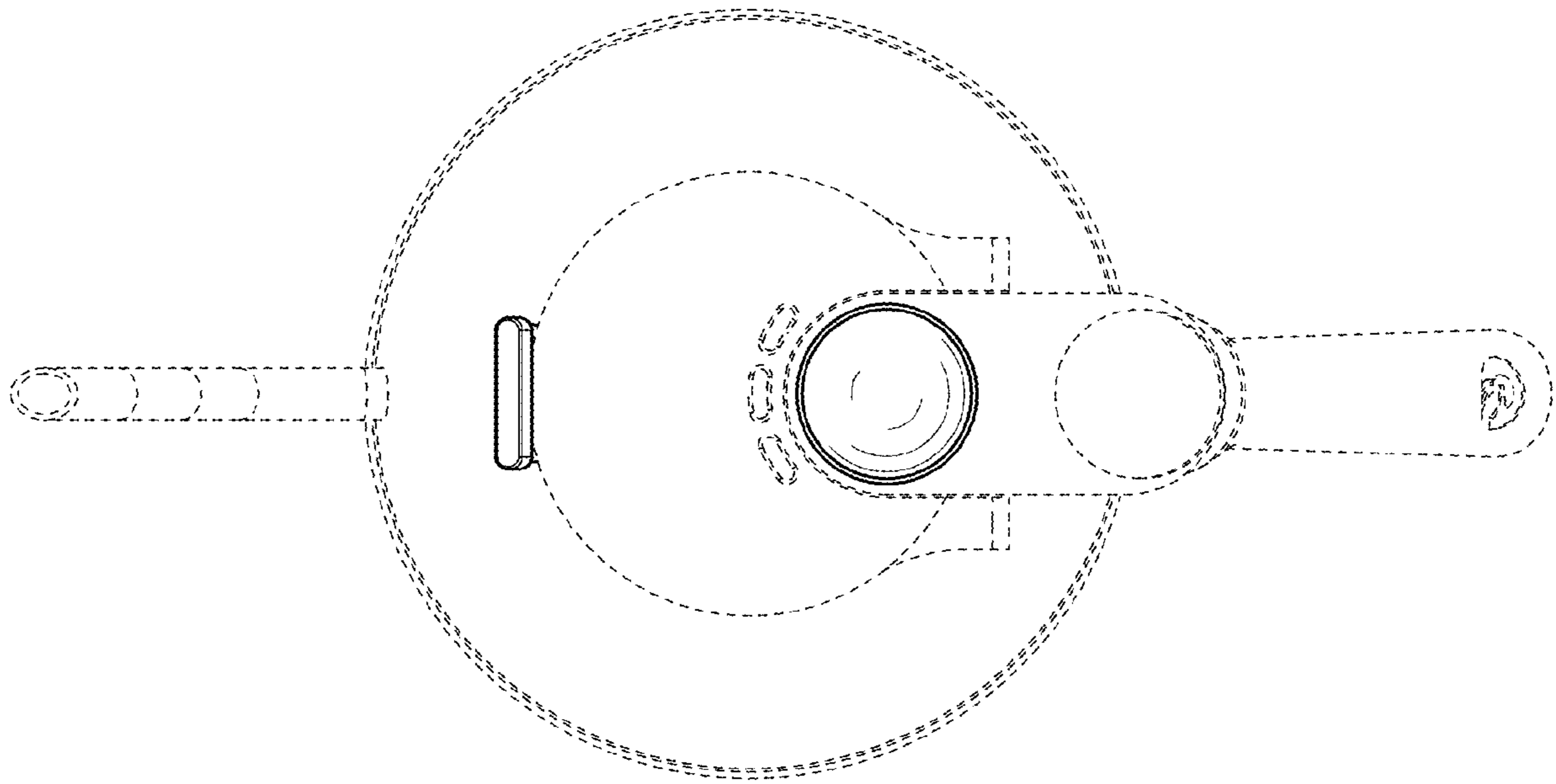


FIG. 2

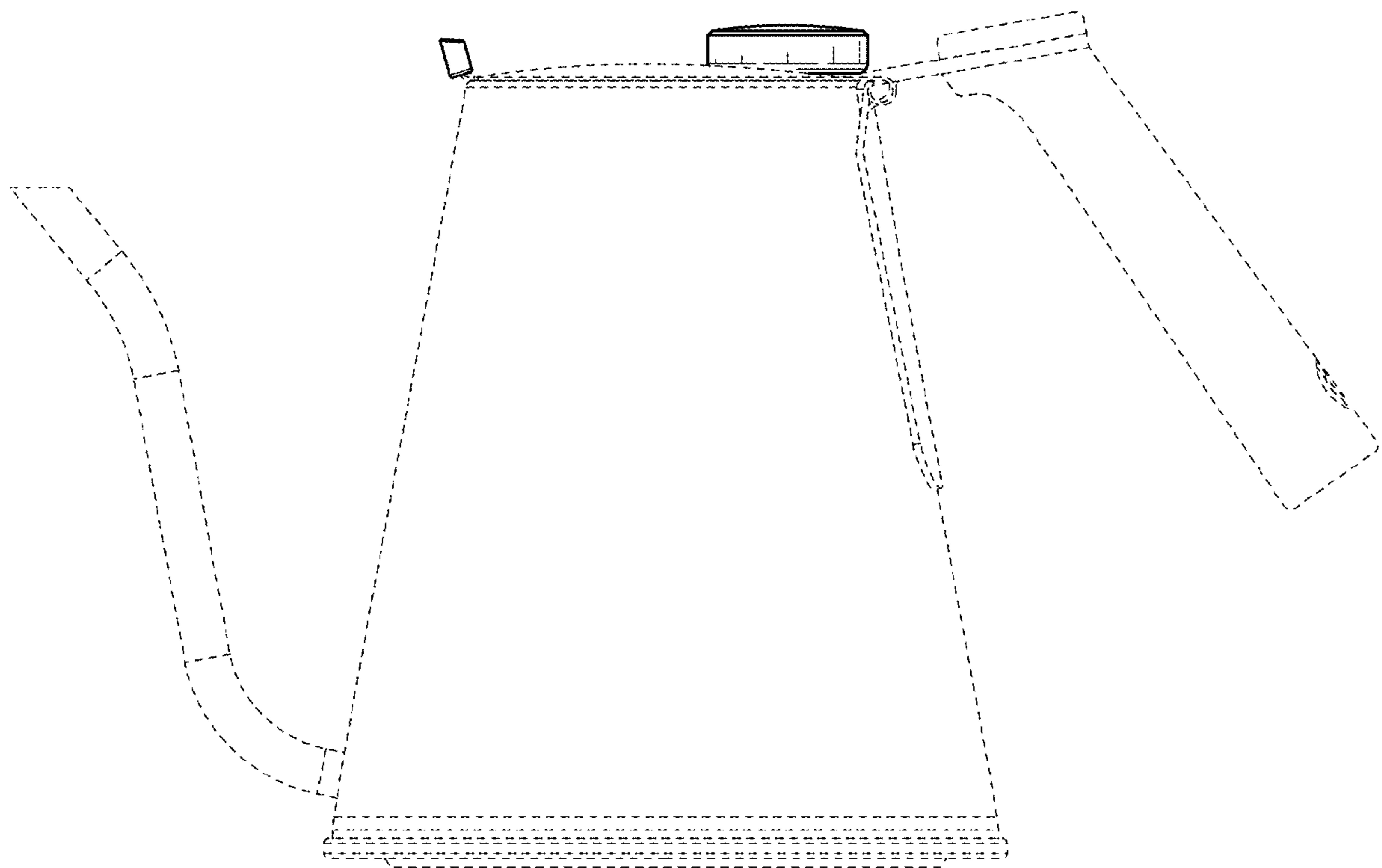


FIG. 3

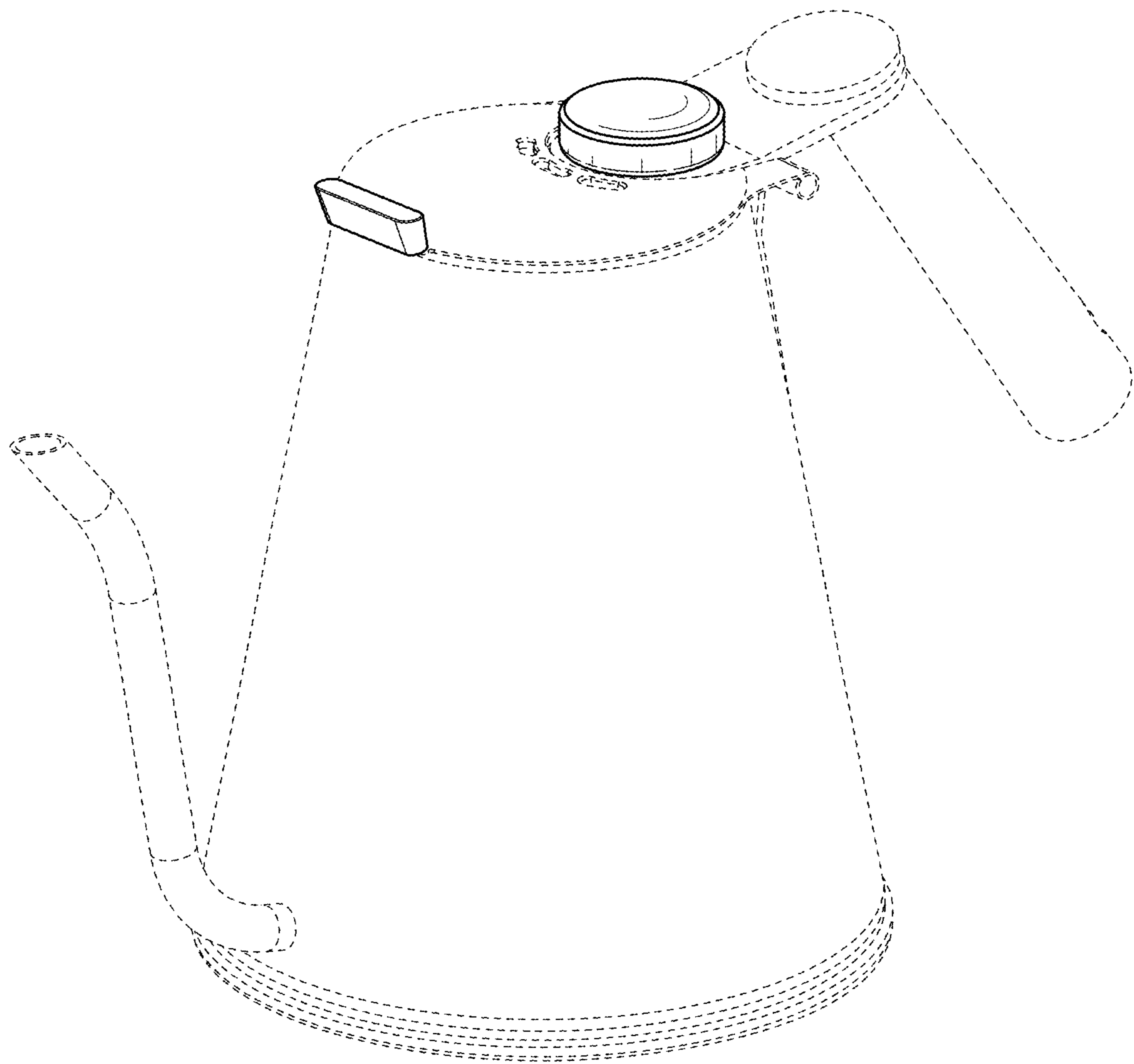


FIG. 4

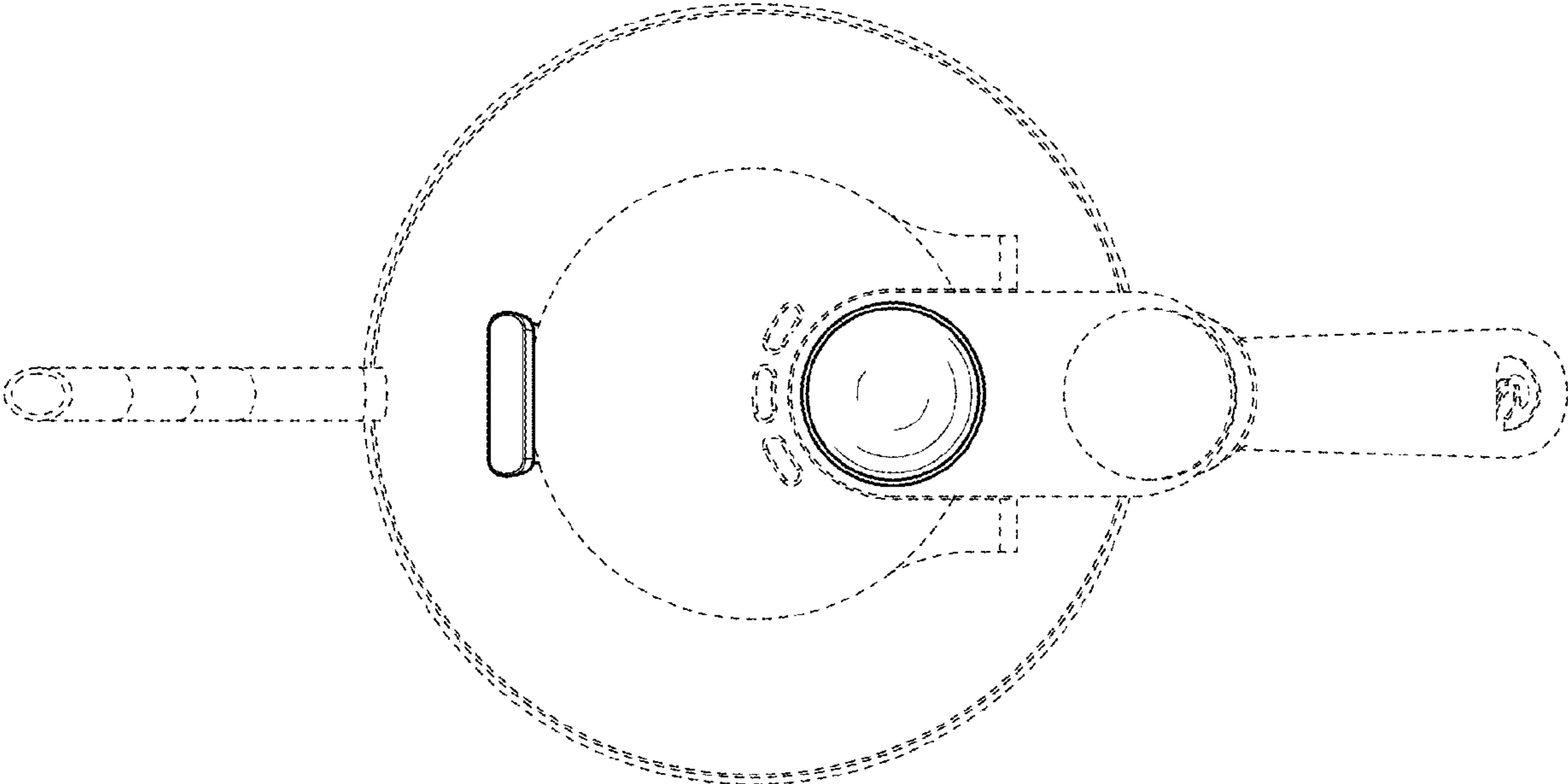


FIG. 5

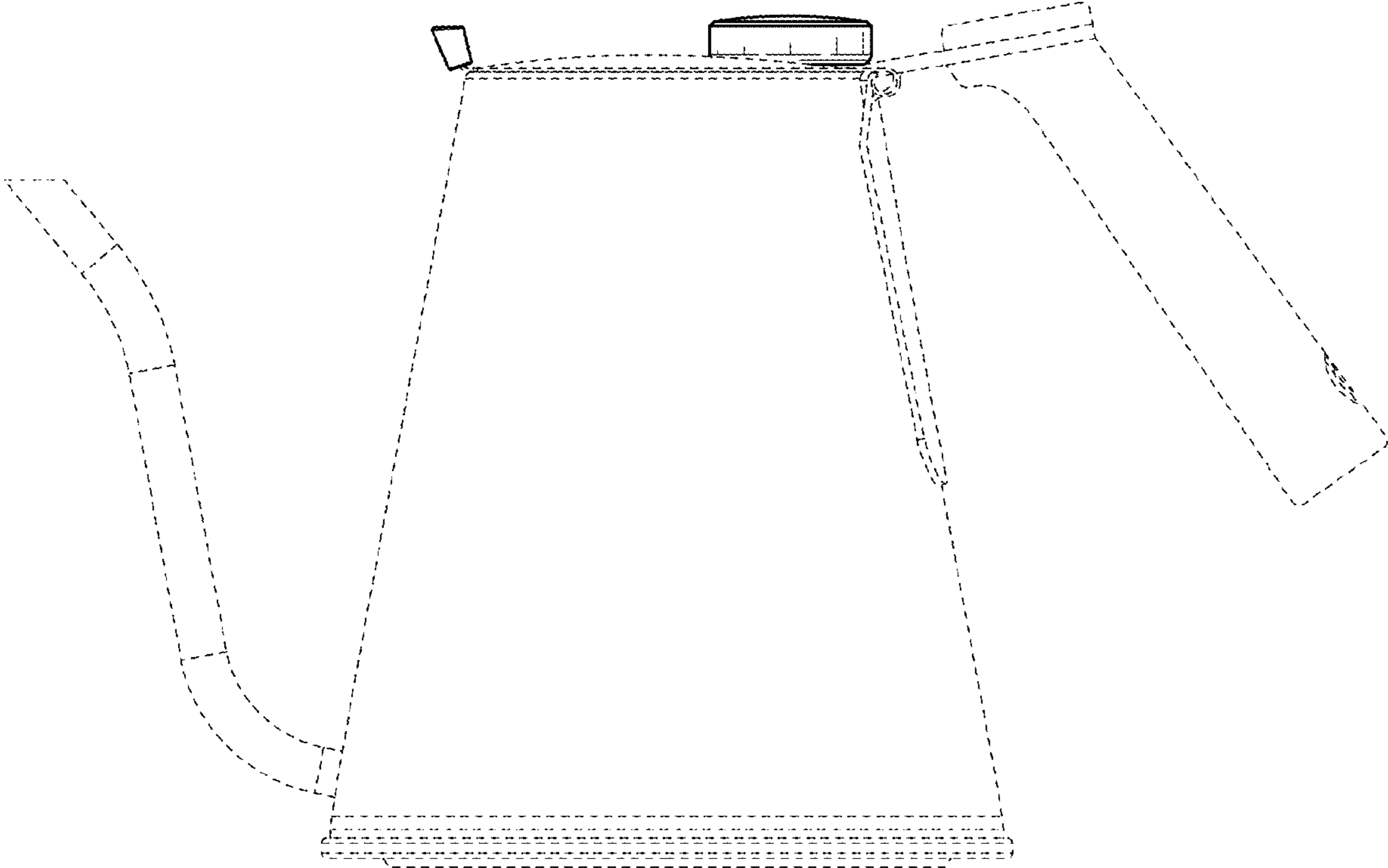


FIG. 6