



US00D906757S

(12) **United States Design Patent** (10) **Patent No.:** **US D906,757 S**
Omdahl, II et al. (45) **Date of Patent:** **** Jan. 5, 2021**

(54) **LID**
(71) Applicant: **Runway Blue, LLC**, Alpine, UT (US)
(72) Inventors: **John R. Omdahl, II**, Lindon, UT (US);
David O. Meyers, East Layton, UT (US)
(73) Assignee: **Runway Blue, LLC**, Alpine, UT (US)
(**) Term: **15 Years**
(21) Appl. No.: **29/598,767**
(22) Filed: **Mar. 28, 2017**
(51) **LOC (13) Cl.** **07-99**
(52) **U.S. Cl.**
USPC **D7/396.2**
(58) **Field of Classification Search**
USPC D3/202; D7/300, 300.1, 313, 314, 316,
D7/387, 392, 392.1, 393, 396.1, 396.2,
D7/397, 398, 401.1, 509, 510, 511, 523,
D7/525, 526, 527, 528, 900, 396;
D9/434, 435, 436, 437, 438, 440, 443,
D9/446, 447, 448, 449, 452, 453, 454,
D9/686, 688, 690, 723, 724, 763, 772
CPC B65D 39/00; B65D 39/0047; B65D
39/0005; B65D 39/02; B65D 39/08;
B65D 39/14; B65D 39/19; B65D 50/00;
B65D 50/041; B65D 2543/00092; B65D
2543/00351; B65D 2543/00555; B65D
2543/00685; B65D 2543/00796; B65D
2543/00296; B65D 2543/00416; B65D
2543/00638; B65D 2543/00731; B65D
21/0228; B65D 51/02; B65D 51/04;
B65D 51/18; B65D 51/28; B65D 51/242;
B65D 51/2814; B65D 51/2821; B65D
47/0895; B65D 47/148; B65D 47/36;
B65D 43/02; B65D 43/14; B65D 43/16;
B65D 43/26; B65D 43/0202; B65D
43/0208; B65D 41/0483; B65D 41/0421;
B65D 41/0485; B65D 41/3428; B65D
41/48; B65D 41/485;

(Continued)

(56) **References Cited**
U.S. PATENT DOCUMENTS
D490,235 S 5/2004 Nykoluk
D517,373 S 3/2006 Cappellino et al.
(Continued)

FOREIGN PATENT DOCUMENTS
WO WO-2015109197 A1 * 7/2015 A47J 43/27
WO WO-2016163924 A1 * 10/2016 A45F 3/18

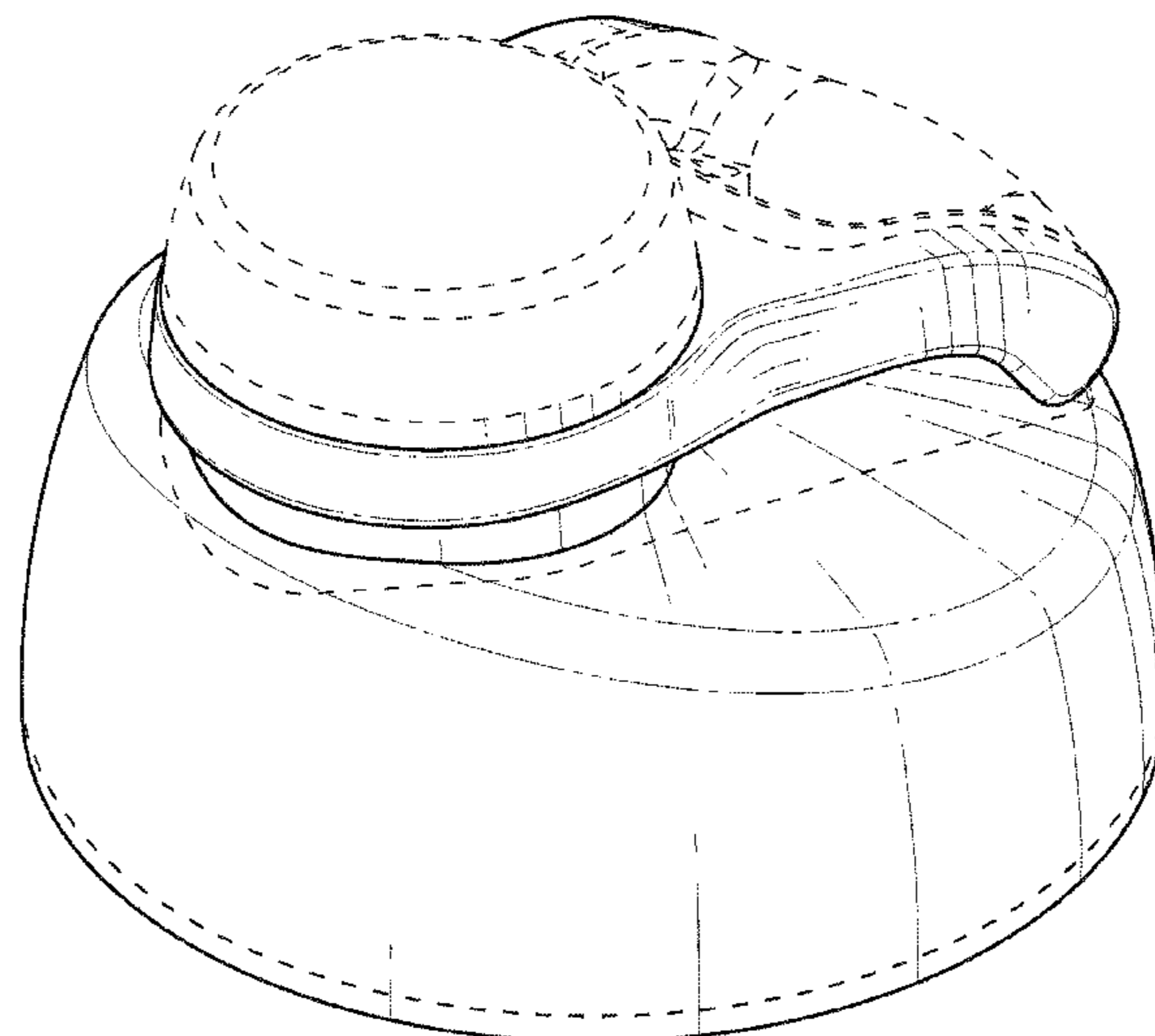
OTHER PUBLICATIONS
Target. Simple Modern Summit Water Bottle. Reportedly accessed
Apr. 23, 2018. URL:<https://bit.ly/2K7vf81>.
(Continued)

Primary Examiner — Catherine S Posthauer
(74) *Attorney, Agent, or Firm* — Sterne, Kessler,
Goldstein & Fox P.L.L.C.

(57) **CLAIM**
The ornamental design for a lid, as shown and described.

DESCRIPTION
FIG. 1 is a top front perspective view of a lid showing the
claimed design;
FIG. 2 is a top rear perspective view of the lid shown in FIG.
1;
FIG. 3 is a front view of the lid shown in FIG. 1;
FIG. 4 is a rear view of the lid shown in FIG. 1;
FIG. 5 is a left side view of the lid shown in FIG. 1;
FIG. 6 is a right side view of the lid shown in FIG. 1;
FIG. 7 is a top view of the lid shown in FIG. 1; and,
FIG. 8 is a bottom view of the lid shown in FIG. 1.
The broken lines are shown for the purpose of illustrating
parts of the article that form no part of the claimed design.

1 Claim, 8 Drawing Sheets



(58) **Field of Classification Search**

CPC B65D 41/045; B65D 71/00; B65D 5/504;
 B65D 5/36; B65D 41/16; B65D 41/17;
 B65D 41/26; B65D 41/32; B65D
 41/0492; B65D 41/0471; B65D 41/0428;
 B65D 41/0414; B65D 41/026; B65D
 41/023; B65D 41/003; B65D 41/02;
 B65D 41/00; B65D 53/00; B65D 53/02;
 B65D 53/04; B65D 2255/00; B65D
 47/08; B65D 47/265; B65D 41/005;
 B65D 41/025; B65D 55/02; B65D
 55/024; A47J 43/27; A47J 36/06; A47J
 36/10; A47J 36/14; A47G 19/22; A47G
 19/2205; A47G 19/2222; A47G 19/2266;
 A47G 19/2272; A47G 19/2294; A47D
 34/00; A61J 2205/50

See application file for complete search history.

(56) **References Cited**

U.S. PATENT DOCUMENTS

D626,837 S * 11/2010 Meyers D9/443
 D628,483 S * 12/2010 McKinney D9/449
 D653,081 S 1/2012 George
 D679,541 S 4/2013 Samartgis
 D690,989 S * 10/2013 Cetera D7/392.1
 D696,551 S * 12/2013 Meyers D7/392.1
 D699,996 S * 2/2014 De Leo D7/300.1
 D700,012 S 2/2014 Hurley et al.
 D707,124 S 6/2014 Blain et al.
 D719,780 S * 12/2014 Sullivan D7/392.1
 D720,184 S 12/2014 Gilbert
 D729,569 S 5/2015 Herbst et al.
 D730,694 S * 6/2015 Elsaden D7/511
 D739,174 S * 9/2015 Elsaden D7/392.1
 D739,674 S * 9/2015 Bergstrom D7/300.1
 D745,827 S * 12/2015 Sorensen D9/450
 D747,624 S * 1/2016 Walker D7/392.1
 D748,430 S * 2/2016 Sorensen D7/392.1
 D748,478 S * 2/2016 Sorensen D9/443
 D748,943 S * 2/2016 Miller D7/392.1
 D758,127 S * 6/2016 Zhao D7/392.1
 D758,189 S 6/2016 Roth et al.
 D763,688 S 8/2016 Breit et al.
 D768,491 S * 10/2016 Sorensen D7/392.1
 D779,872 S * 2/2017 Bergstrom D7/392.1

D780,516 S * 3/2017 Cornelius D7/510
 D786,072 S 5/2017 Breit et al.
 D792,216 S 7/2017 Breit et al.
 D792,742 S 7/2017 Meyers et al.
 D793,154 S 8/2017 Sorensen et al.
 D794,386 S * 8/2017 Steel D7/396.2
 D799,270 S * 10/2017 Polk, III D7/510
 9,790,007 B2 10/2017 Sorensen et al.
 D802,366 S * 11/2017 Cerasani D7/510
 D802,993 S 11/2017 Joseph et al.
 D808,711 S 1/2018 Joseph et al.
 D808,713 S 1/2018 Rane et al.
 D810,502 S 2/2018 Joseph et al.
 D811,810 S 3/2018 Joseph et al.
 D817,085 S * 5/2018 Davis D7/392.1
 D820,038 S * 6/2018 Sorensen D7/392.1
 D848,210 S 5/2019 Omdahl et al.
 D854,880 S 7/2019 Meyers et al.
 D862,157 S 10/2019 Barber
 D864,657 S * 10/2019 Omdahl, II D7/392.1
 D878,149 S 3/2020 Omdahl et al.
 D889,193 S * 7/2020 Alles D7/392.1
 2011/0253733 A1 * 10/2011 Meyers B65D 47/089
 220/833
 2012/0061398 A1 * 3/2012 Nilsson A47J 43/27
 220/568
 2013/0062304 A1 * 3/2013 Meyers et al. B65D 47/0871
 215/240
 2014/0069918 A1 * 3/2014 Meyers B65D 47/0895
 220/212.5
 2014/0091086 A1 * 4/2014 Sorensen B65D 21/022
 220/4.27
 2014/0360908 A1 * 12/2014 Sorensen B65D 51/28
 206/501
 2015/0329255 A1 * 11/2015 Rzepecki B65D 47/0885
 222/189.06
 2017/0105581 A1 * 4/2017 Enghard B01F 13/0055
 2017/0225850 A1 * 8/2017 Sorensen B65D 25/56

OTHER PUBLICATIONS

Simple Modern Summit Water Bottle Lid 3 Pack—Flip Lid with Handle, Insulated Straw Lid, and Insulated Chug Lid. URL: <https://www.simplemodern.com/products/summit-water-bottle-lid-3-pack-flip-lid-with-handle-insulated-straw-lid-and-insulated-chug-lid?variant=30864679174216>.

* cited by examiner

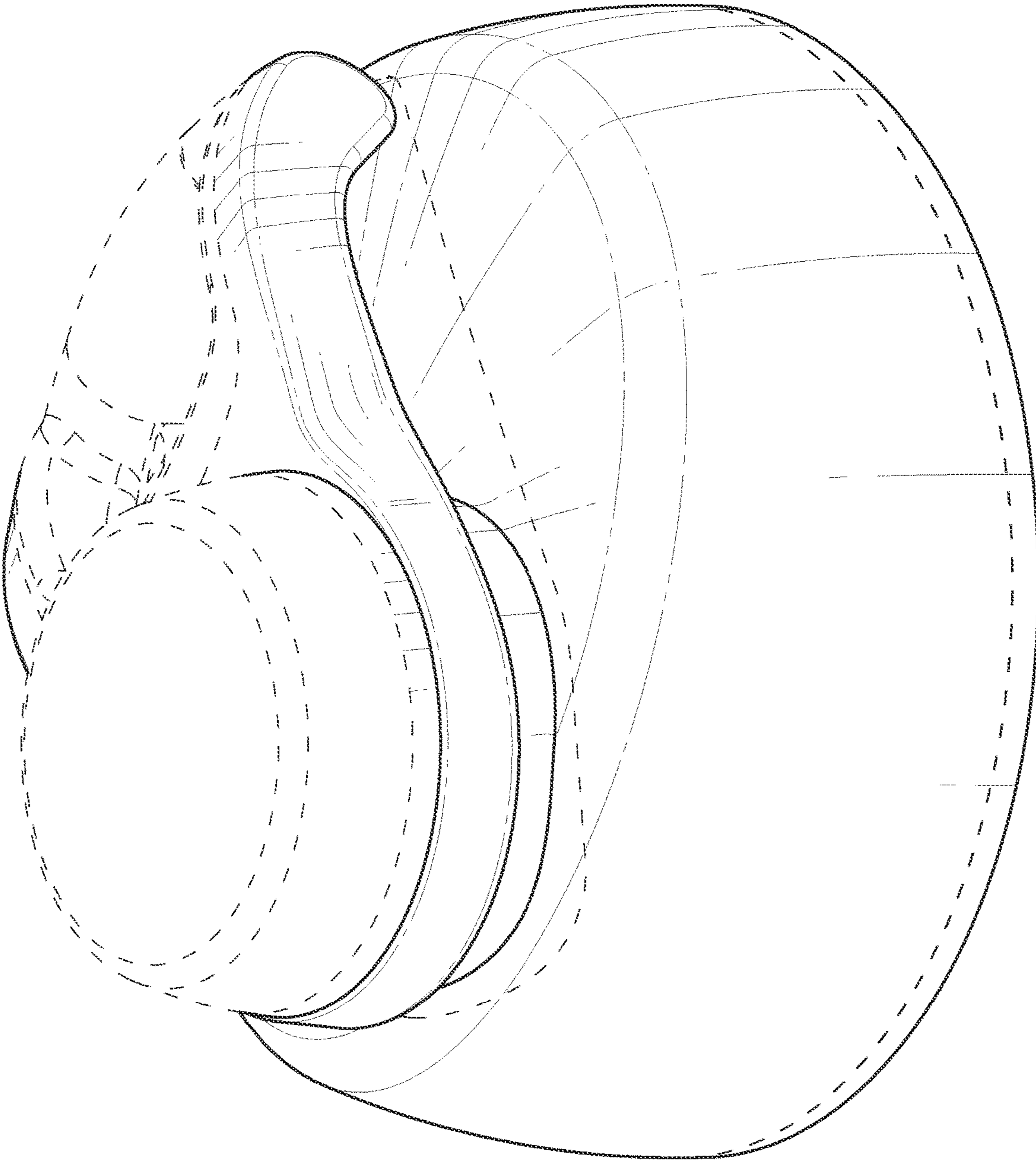


FIG. 1

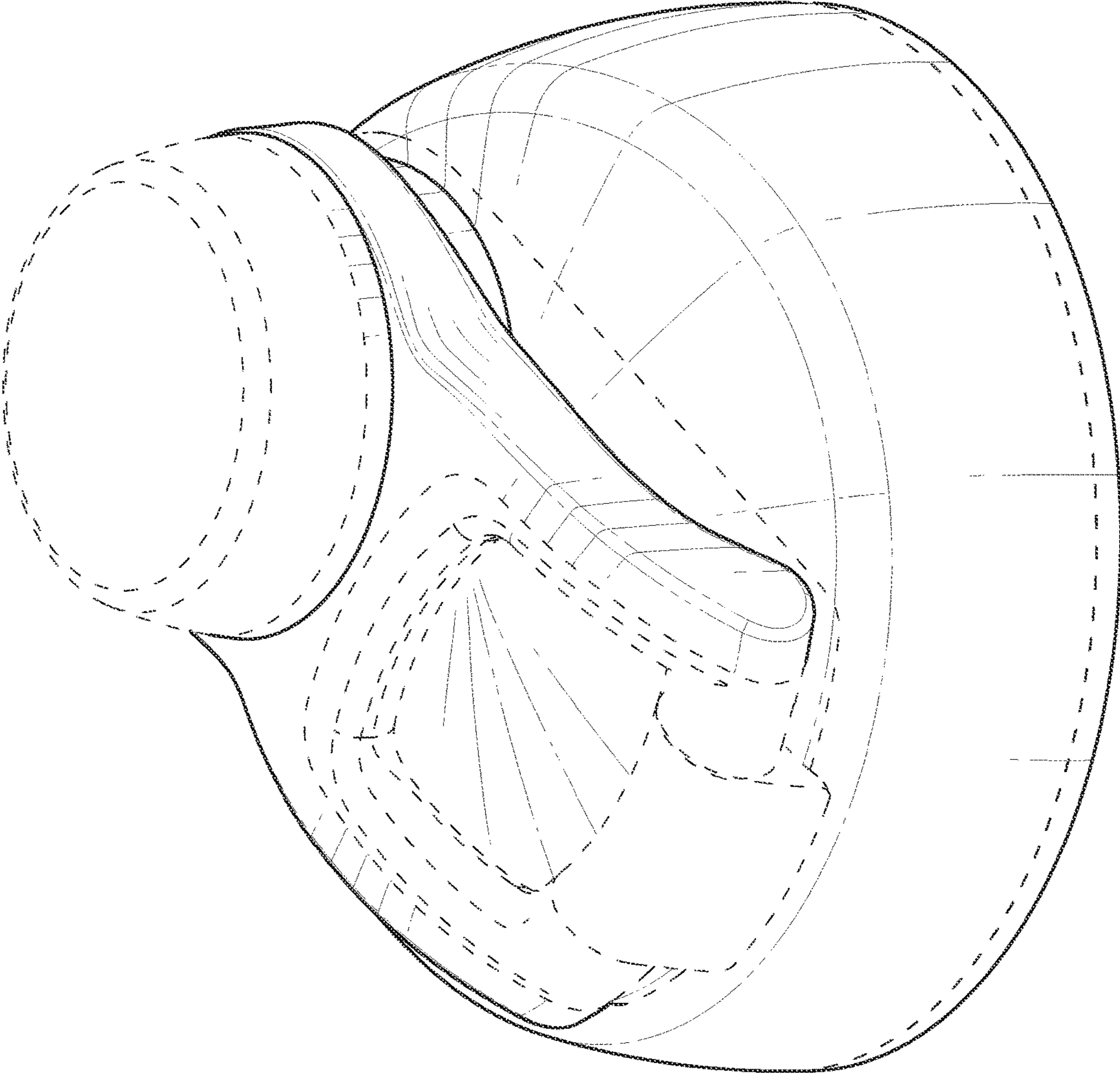


FIG. 2

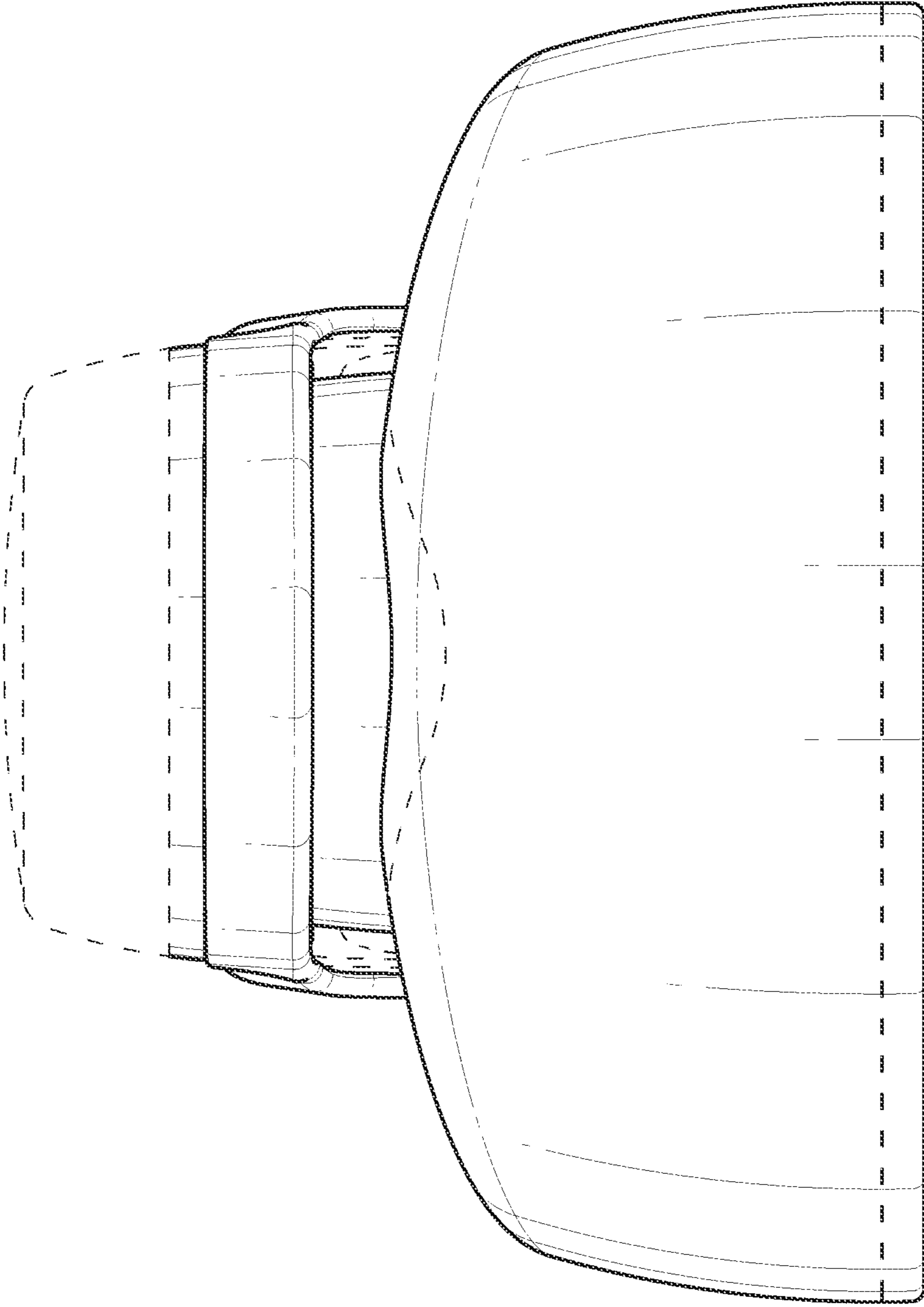


FIG. 3

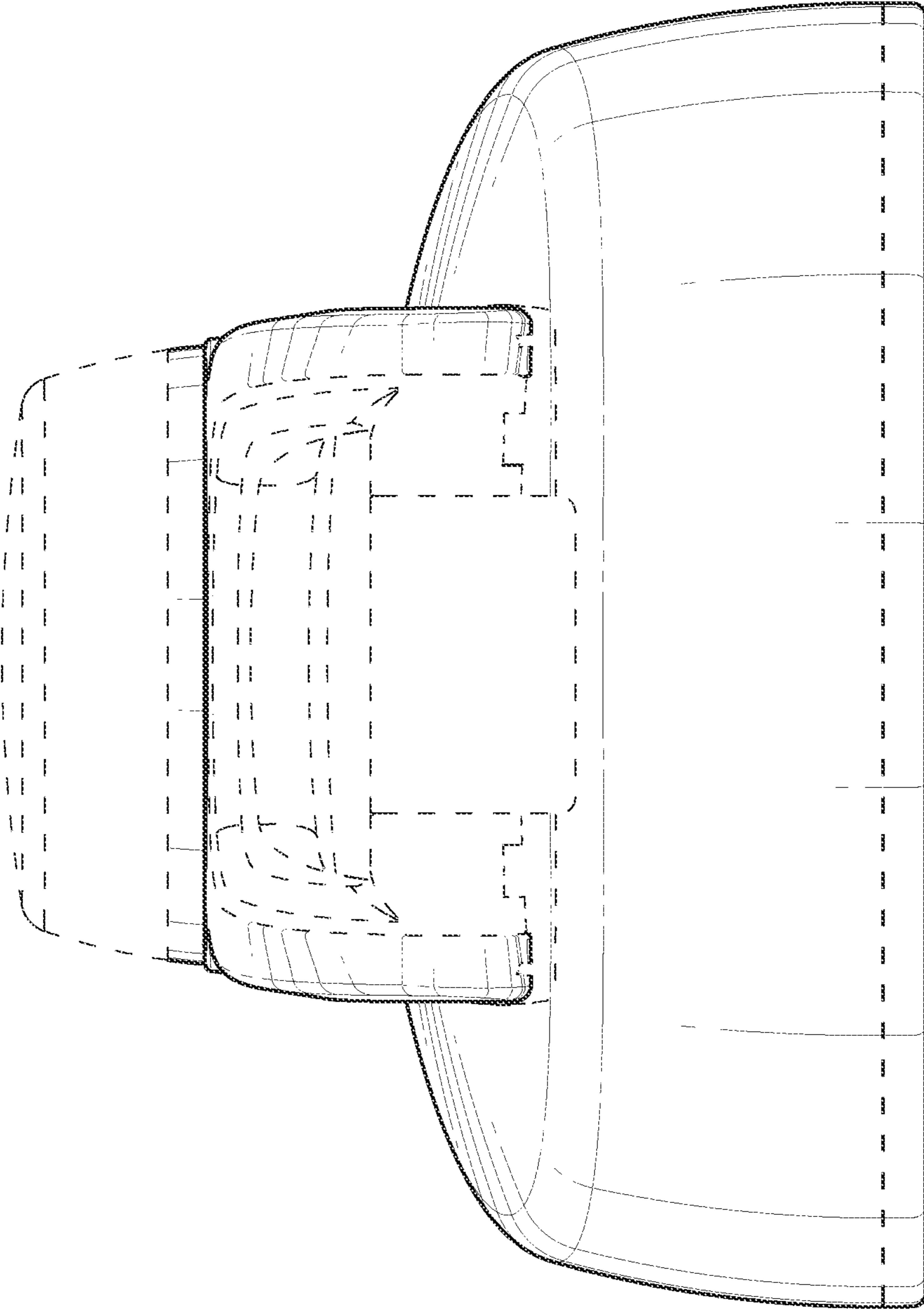


FIG. 4

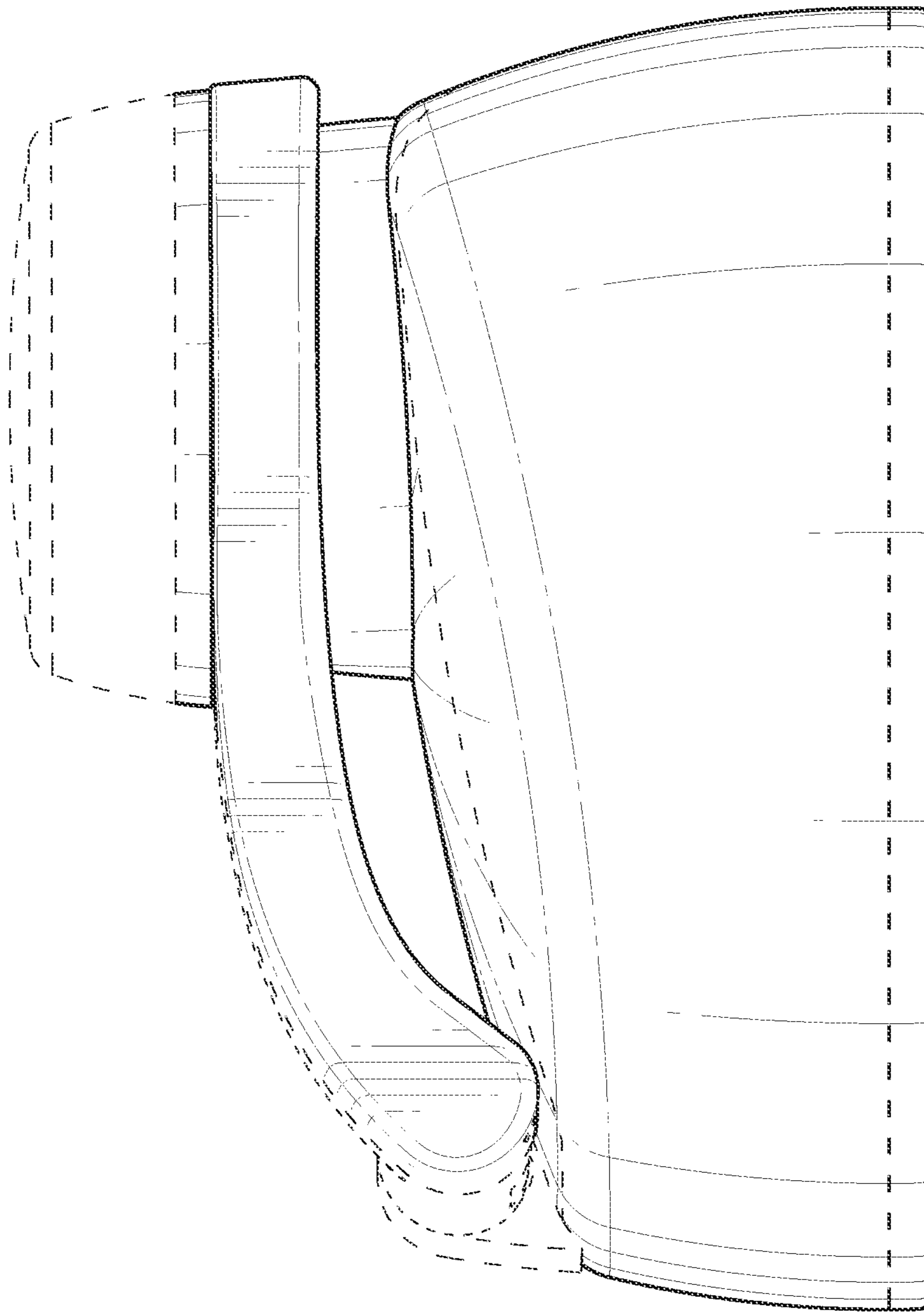


FIG. 5

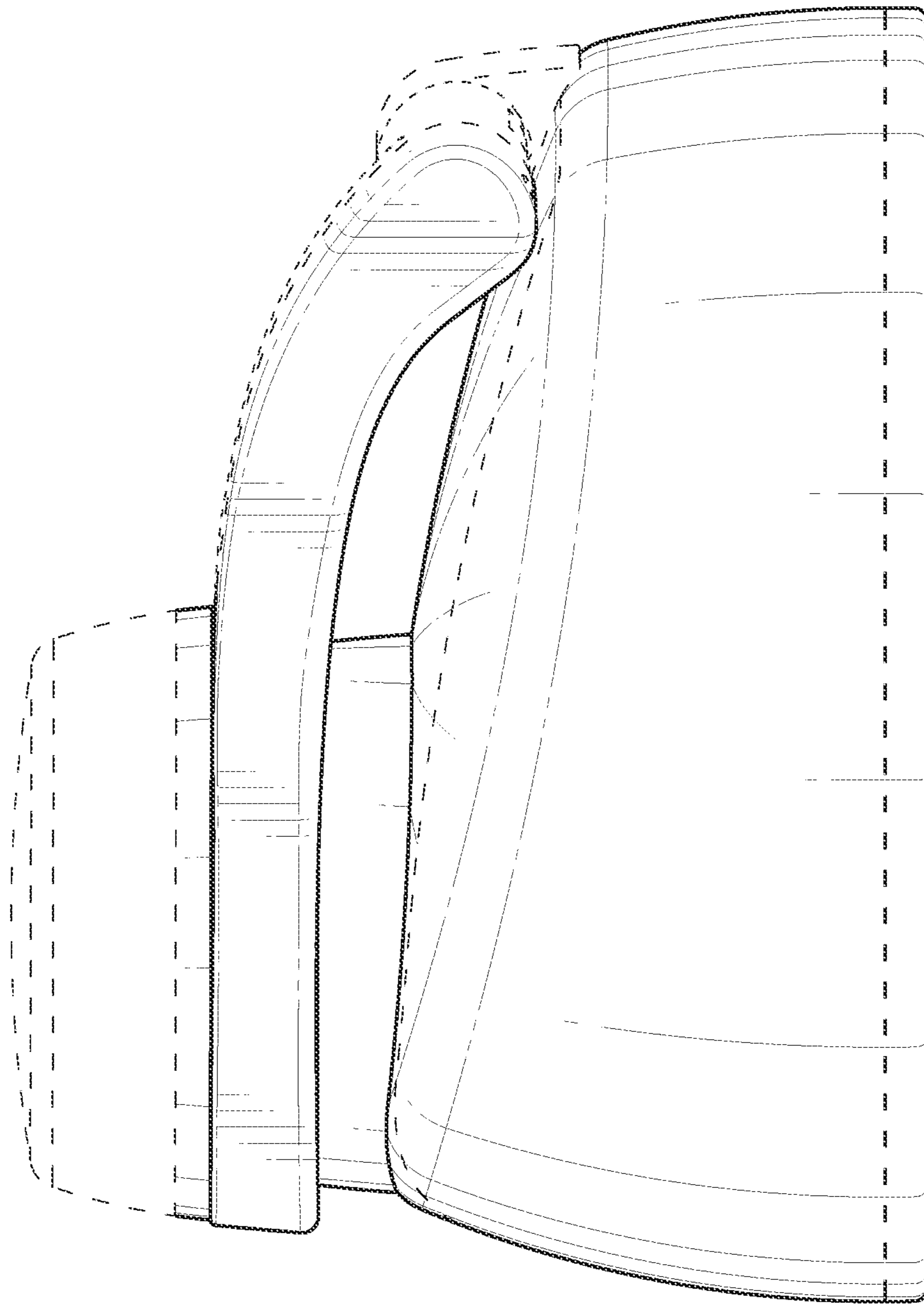


FIG. 6

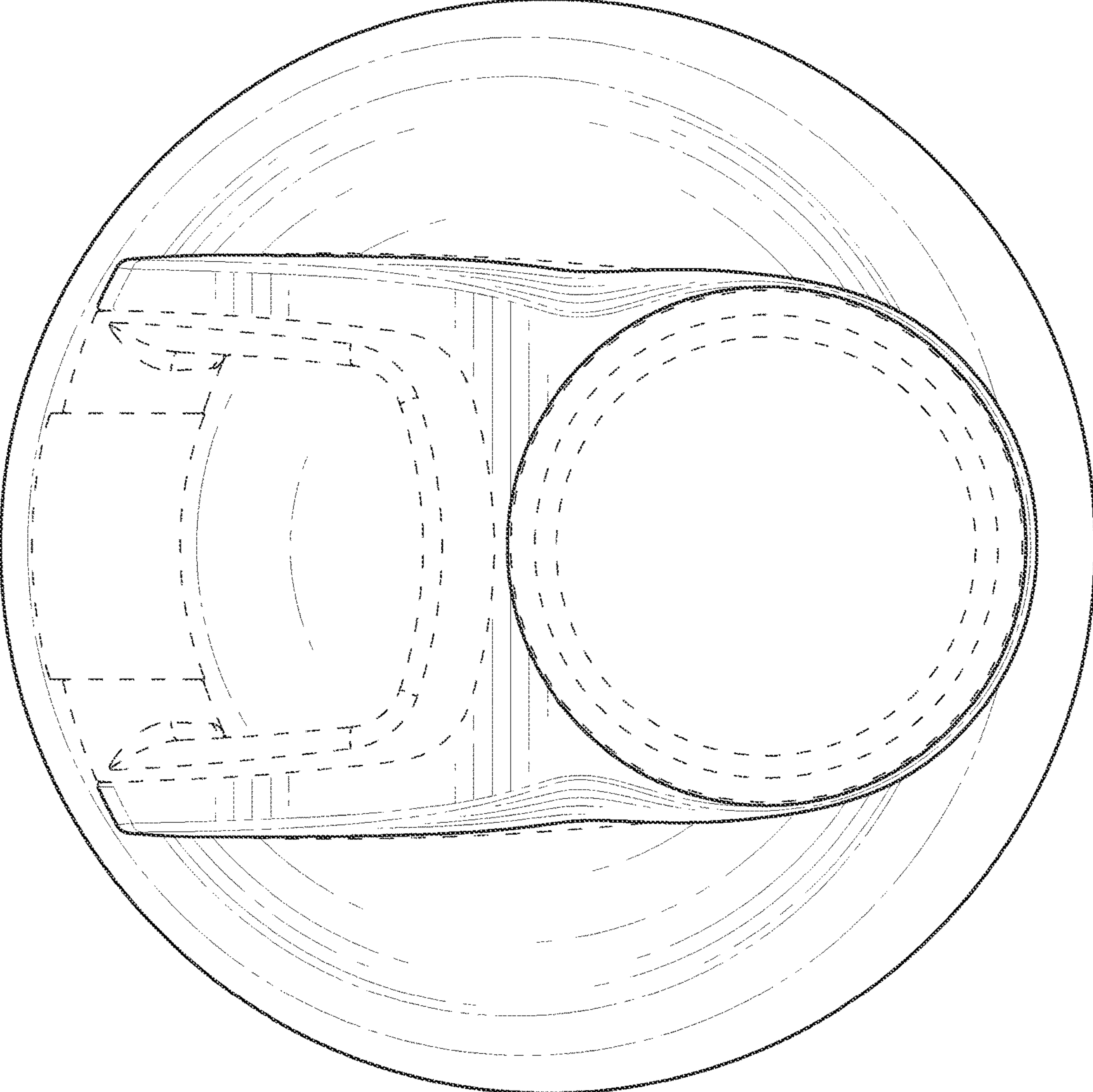


FIG. 7

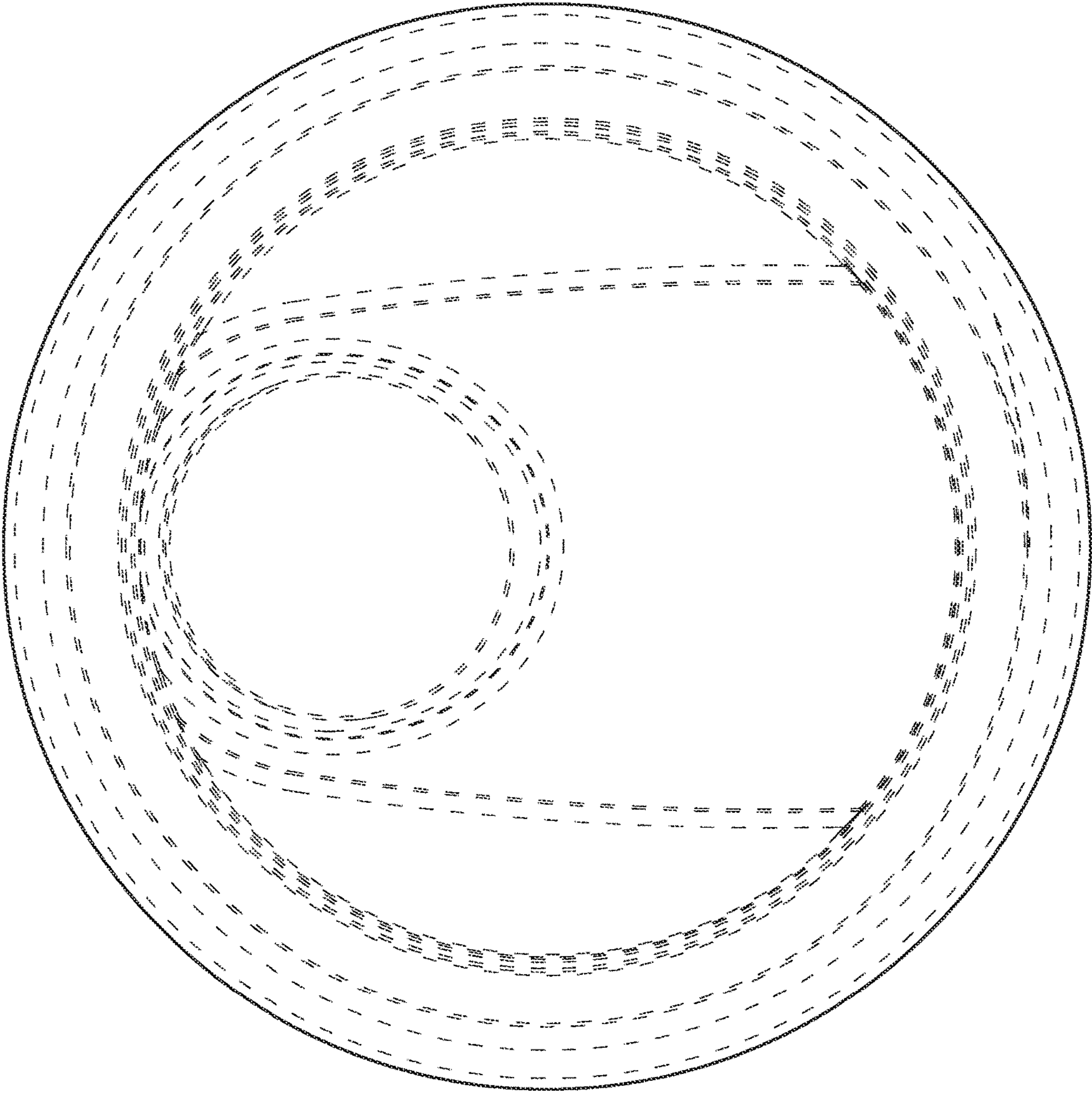


FIG. 8