



US00D906754S

(12) **United States Design Patent**  
**Zhu**

(10) **Patent No.:** **US D906,754 S**  
(45) **Date of Patent:** **\*\* Jan. 5, 2021**

(54) **MIXER**

(71) Applicant: **Peng Zhu**, Zhuhai (CN)

(72) Inventor: **Peng Zhu**, Zhuhai (CN)

(\*\*) Term: **15 Years**

(21) Appl. No.: **29/698,085**

(22) Filed: **Jul. 15, 2019**

(51) **LOC (13) Cl.** ..... **31-00**

(52) **U.S. Cl.**  
USPC ..... **D7/376**

(58) **Field of Classification Search**

USPC ..... D7/306, 309, 323, 326, 327, 338, 372,  
D7/373, 374, 375, 376, 377, 378, 379,  
D7/380, 381, 382, 383, 384, 385, 386,  
D7/402, 412, 413, 598, 602, 612, 629,  
D7/694, 669, 679, 619.1; D28/7;  
D27/183, 186, 187, 189, 190, 137, 138  
CPC .. A47J 43/04; A47J 43/25; A47J 43/27; A47J  
43/042; A47J 43/044; A47J 43/046; A47J  
43/075; A47J 43/0722; A47J 43/0727;  
A47J 42/40; A21C 1/02; A21C 1/04;  
A23G 9/045; A23N 1/00; A23N 1/02;  
B01F 3/00; B01F 3/0807; B01F 3/0853;  
B01F 13/0059; B01F 13/0064; B02C  
1/08; B02C 4/42; B02C 4/142; B02C  
4/143; B02C 4/423; B02C 13/1835; B28C  
5/10; B28C 5/12; B28C 5/14; B28C 5/16  
See application file for complete search history.

(56) **References Cited**

**U.S. PATENT DOCUMENTS**

D10,284 S \* 10/1877 Kaldenberg ..... D3/12  
D352,640 S \* 11/1994 Kibbe ..... D7/679  
5,366,286 A \* 11/1994 Ruttimann ..... A47J 43/0705  
366/129  
D380,356 S \* 7/1997 Husted ..... D7/679  
D403,919 S \* 1/1999 Battioli ..... D7/402  
D405,220 S \* 2/1999 Dal Monte ..... D27/101

D436,232 S \* 1/2001 Denham ..... D28/7  
D493,911 S \* 8/2004 Somma ..... D27/101  
D500,631 S \* 1/2005 Ranzoni ..... D7/376  
D533,023 S \* 12/2006 Lo ..... D7/379  
D542,605 S \* 5/2007 Germany ..... D7/679  
(Continued)

**FOREIGN PATENT DOCUMENTS**

CN 201930404489.2 \* 7/2019  
CN 201930518268.8 \* 9/2019  
CN 202030245834.5 \* 5/2020

**OTHER PUBLICATIONS**

Handheld Milk Frother ROMAUNT Electric Hand Held Battery, announced Aug. 27, 2020 [online], retrieved Nov. 18, 2020, retrieved from internet, <https://www.ebay.com/itm/143646930814>.\*

(Continued)

*Primary Examiner* — Dana K Weiland  
*Assistant Examiner* — Messina L Smith

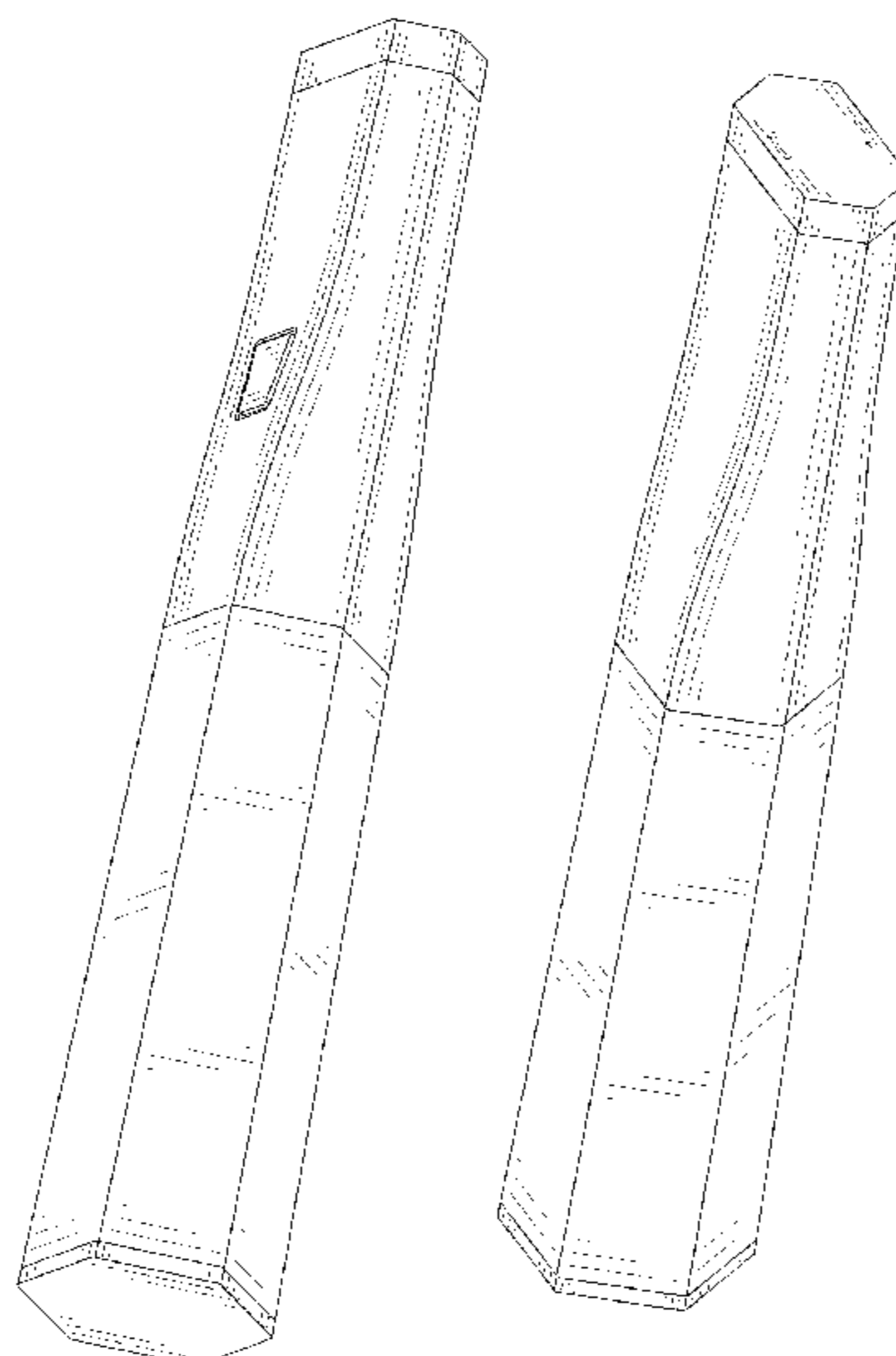
(57) **CLAIM**

The ornamental design for a mixer, as shown and described.

**DESCRIPTION**

FIG. 1 is a perspective view of a mixer showing my new design;  
FIG. 2 is another perspective view thereof;  
FIG. 3 is a front elevational view thereof;  
FIG. 4 is a rear elevational view thereof;  
FIG. 5 is a left side elevational view thereof;  
FIG. 6 is a right side elevational view thereof;  
FIG. 7 is a top plan view thereof;  
FIG. 8 is a bottom plan view thereof; and,  
FIG. 9 is an exploded perspective view of the mixer where the mixer body is separate from the mixer cover.  
The broken lines in the drawings depict portions of the mixer that form no part of the claimed design.

**1 Claim, 9 Drawing Sheets**



(56)

References Cited

U.S. PATENT DOCUMENTS

D545,147 S \* 6/2007 Marshall ..... D7/679  
 D611,563 S \* 3/2010 Sjoberg ..... D22/142  
 D654,950 S \* 2/2012 Ryan ..... D19/133  
 D655,568 S \* 3/2012 Chapman ..... D7/380  
 D661,265 S \* 6/2012 Kajiya ..... D13/182  
 D694,160 S \* 11/2013 Chou ..... D12/194  
 D739,081 S \* 9/2015 James ..... D28/76  
 D754,389 S \* 4/2016 Mittersinker ..... D27/101  
 D759,439 S \* 6/2016 Pietrzyk ..... D7/679  
 D800,310 S \* 10/2017 Scatterday ..... D24/163  
 D804,266 S \* 12/2017 Cowie ..... D8/45  
 D812,421 S \* 3/2018 Schaarschmidt ..... D7/397  
 D835,480 S \* 12/2018 Schenk ..... D7/679  
 D836,791 S \* 12/2018 Tarashchansky ..... D24/215  
 D842,961 S \* 3/2019 Boydd ..... D22/117  
 10,398,178 B2 \* 9/2019 Scatterday ..... A24F 47/008  
 D866,246 S \* 11/2019 Zhu ..... D7/380  
 D873,601 S \* 1/2020 Sirju ..... D7/378  
 D881,636 S \* 4/2020 Symons ..... D7/380  
 D882,473 S \* 4/2020 Mottern ..... D12/194  
 D883,607 S \* 5/2020 Tinajero Maldonado ..... D1/127  
 D884,413 S \* 5/2020 Zhu ..... D7/380  
 D886,512 S \* 6/2020 Thun ..... D7/379  
 D891,855 S \* 8/2020 McConnell ..... D7/380  
 D897,145 S \* 9/2020 Xiao ..... D7/380  
 2015/0048191 A1 \* 2/2015 Clint ..... B02C 13/1835  
 241/275  
 2017/0258204 A1 \* 9/2017 Yoo ..... A45D 34/00

OTHER PUBLICATIONS

USB Rechargeable Milk Frother Mixer 2 Whisk Handheld 3-Speed Milk Foamer For Cappuccino, announced Jul. 20, 2020 [online], retrieved Nov. 18, 2020, retrieved from internet, [https://www.aliexpress.com/item/32994314415.html?aff\\_platform=dynamic-window&sk=AMnm2vF&aff\\_trace\\_key=a78d7da0e0484f99abc57465768e5960-16057](https://www.aliexpress.com/item/32994314415.html?aff_platform=dynamic-window&sk=AMnm2vF&aff_trace_key=a78d7da0e0484f99abc57465768e5960-16057).\*

Hex Tubes and Bars, announced © 2018-2020 [online], retrieved 18 Nov. 2020, retrieved from internet, <https://www.orangealuminum.com/bar-stock/hex-tube-and-bars.html>.\*

Play Mat Tube, announced © 2017 [online], retrieved Nov. 18, 2020, retrieved from internet, <https://imaginaire.com/en/games-and-puzzles/play-mat-tube-hexagon-black-p2997683.html>.\*

All Durable Pellet Smoker Tube 12" Hexagon Stainless Steel + Brush, announced Apr. 8, 2019 [online], retrieved Nov. 18, 2020, retrieved from internet, <https://www.amazon.com/All-Durable-Pellet-Hexagon-Stainless/dp/B07NLMB2YK>.\*

Gcc Packaging's elegant hexagonal lines for colour cosmetics, announced Feb. 25, 2019 [online], retrieved Nov. 18, 2020, retrieved from internet, <https://www.webpackaging.com/en/portals/gccpackaginggroup/assets/12578261/gcc-packagings-elegant-hexagonal-lines-for-colour-cosmetics/>.\*

\* cited by examiner

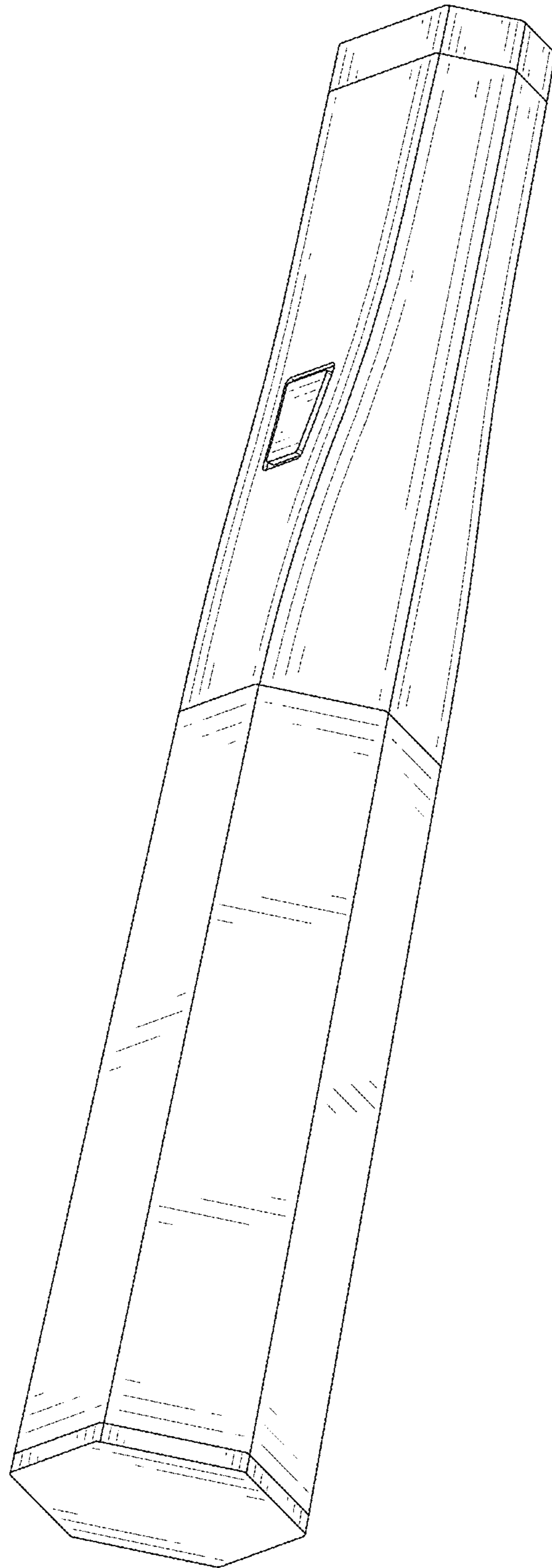


FIG. 1

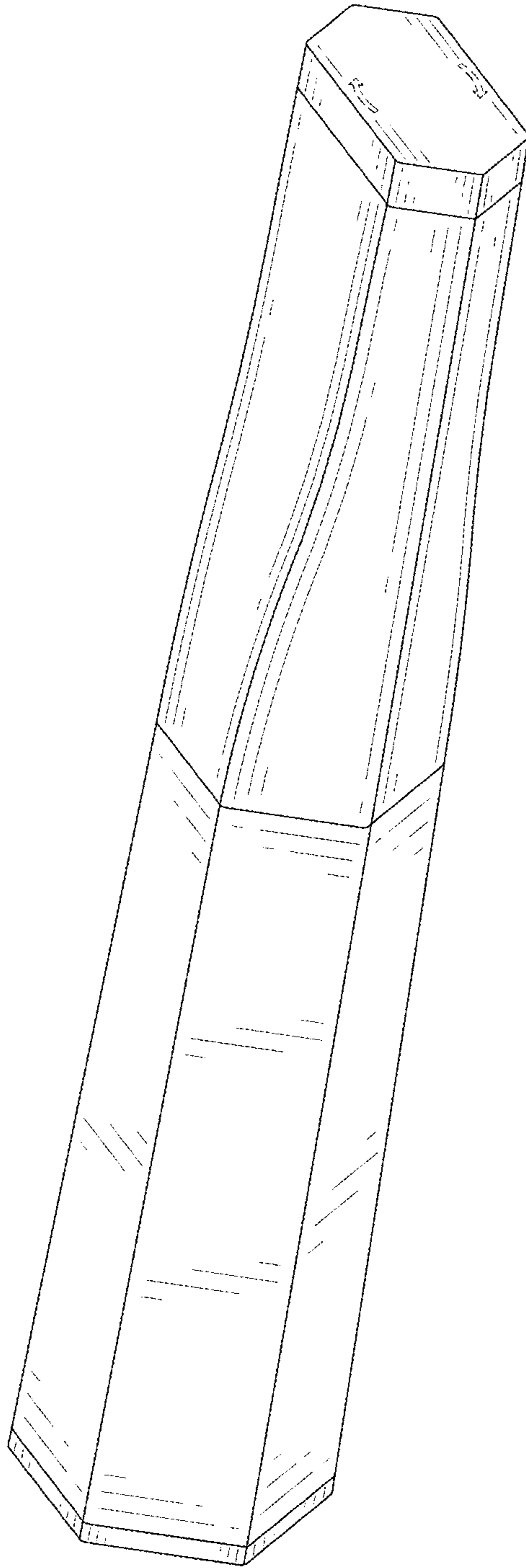


FIG. 2

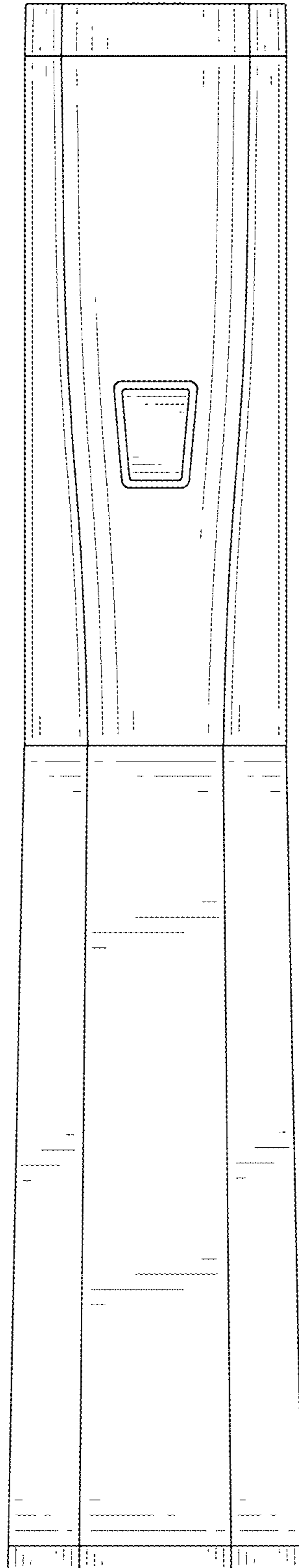


FIG. 3

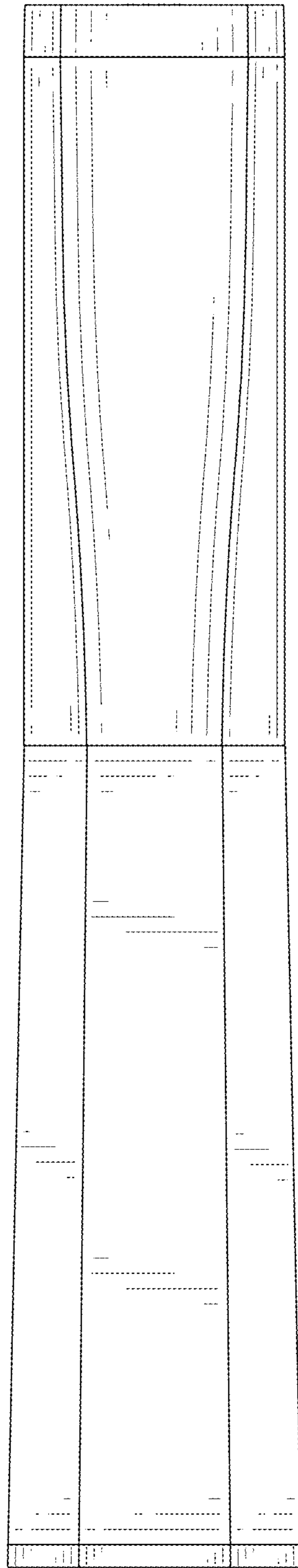


FIG. 4

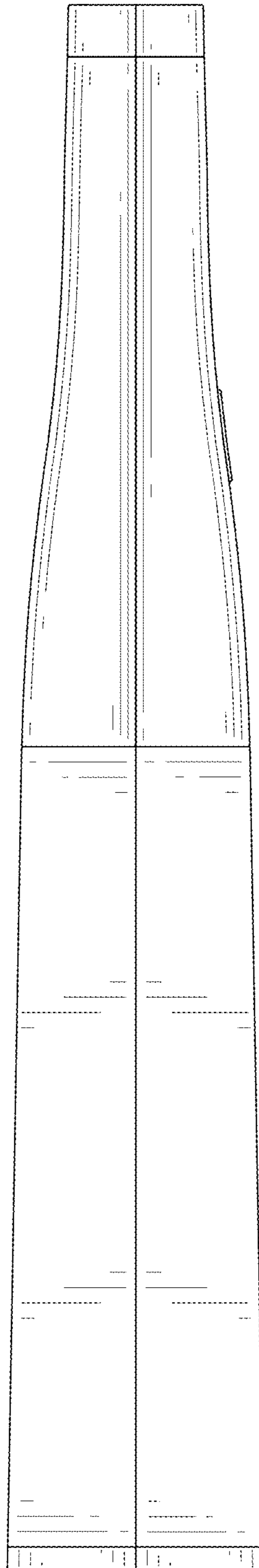


FIG. 5

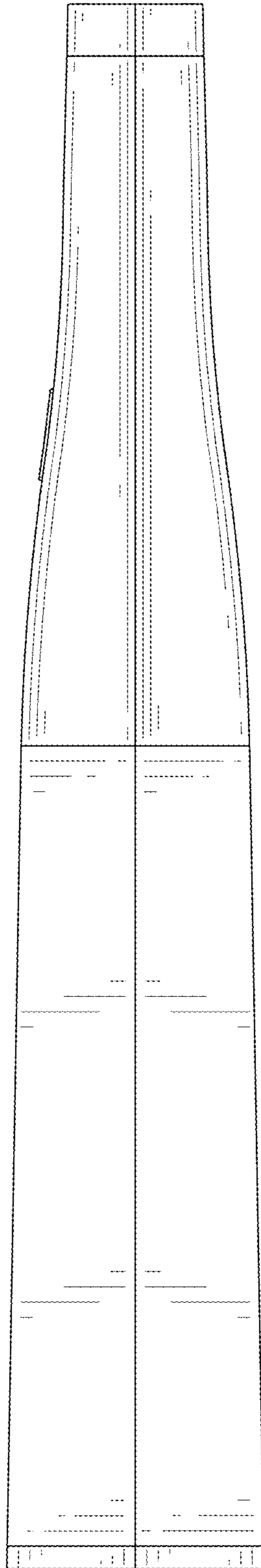


FIG. 6



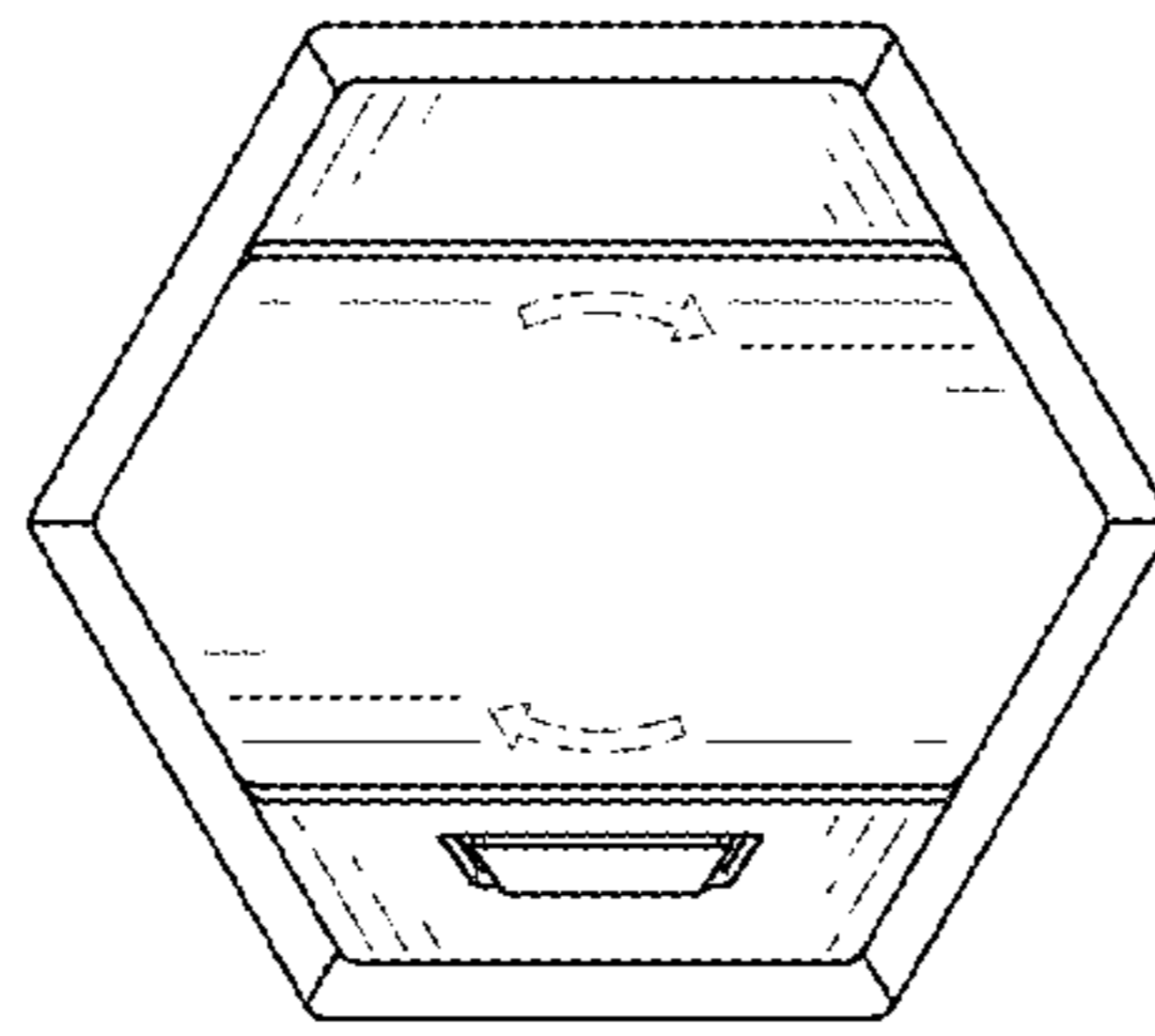


FIG. 7

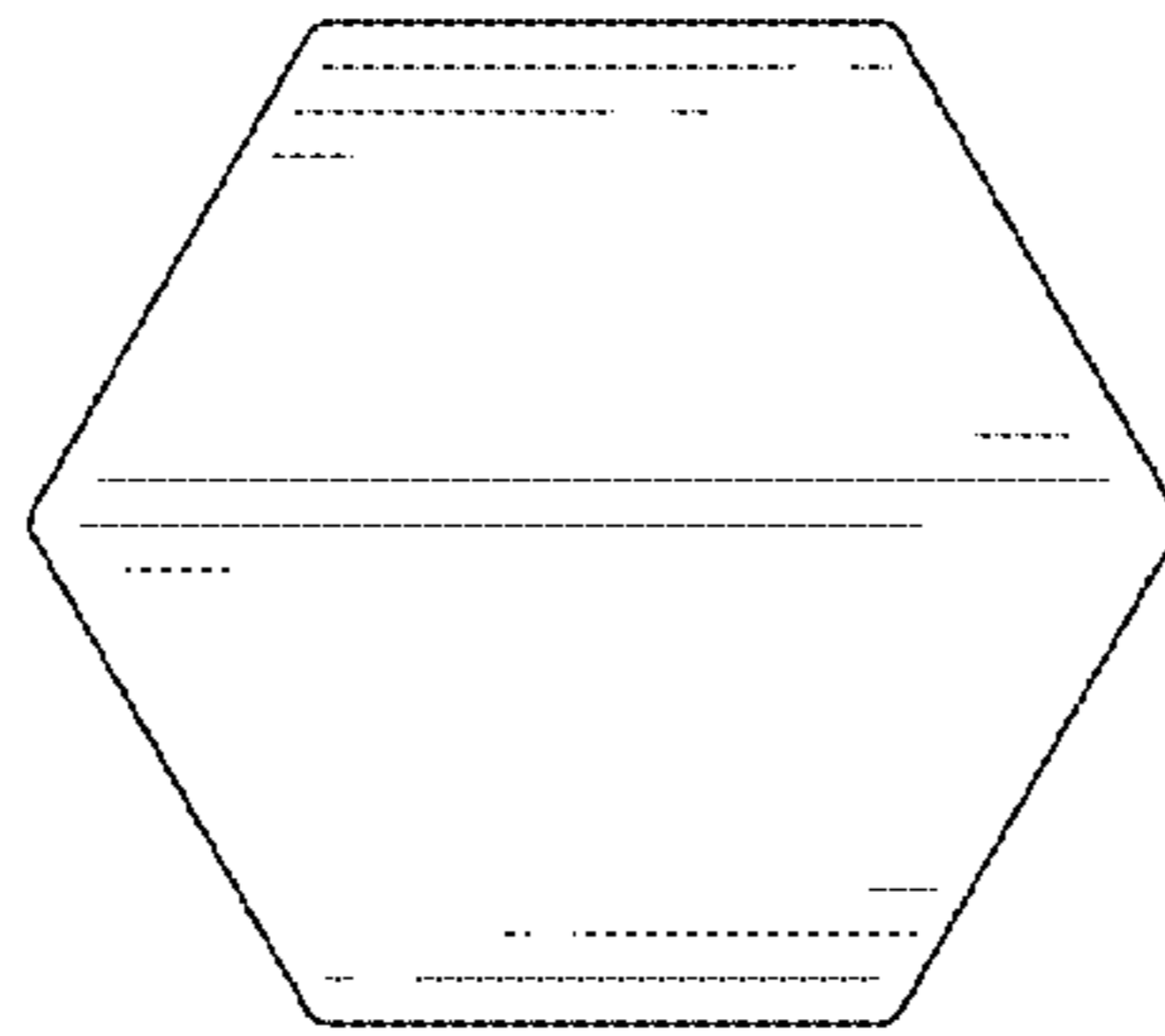


FIG. 8

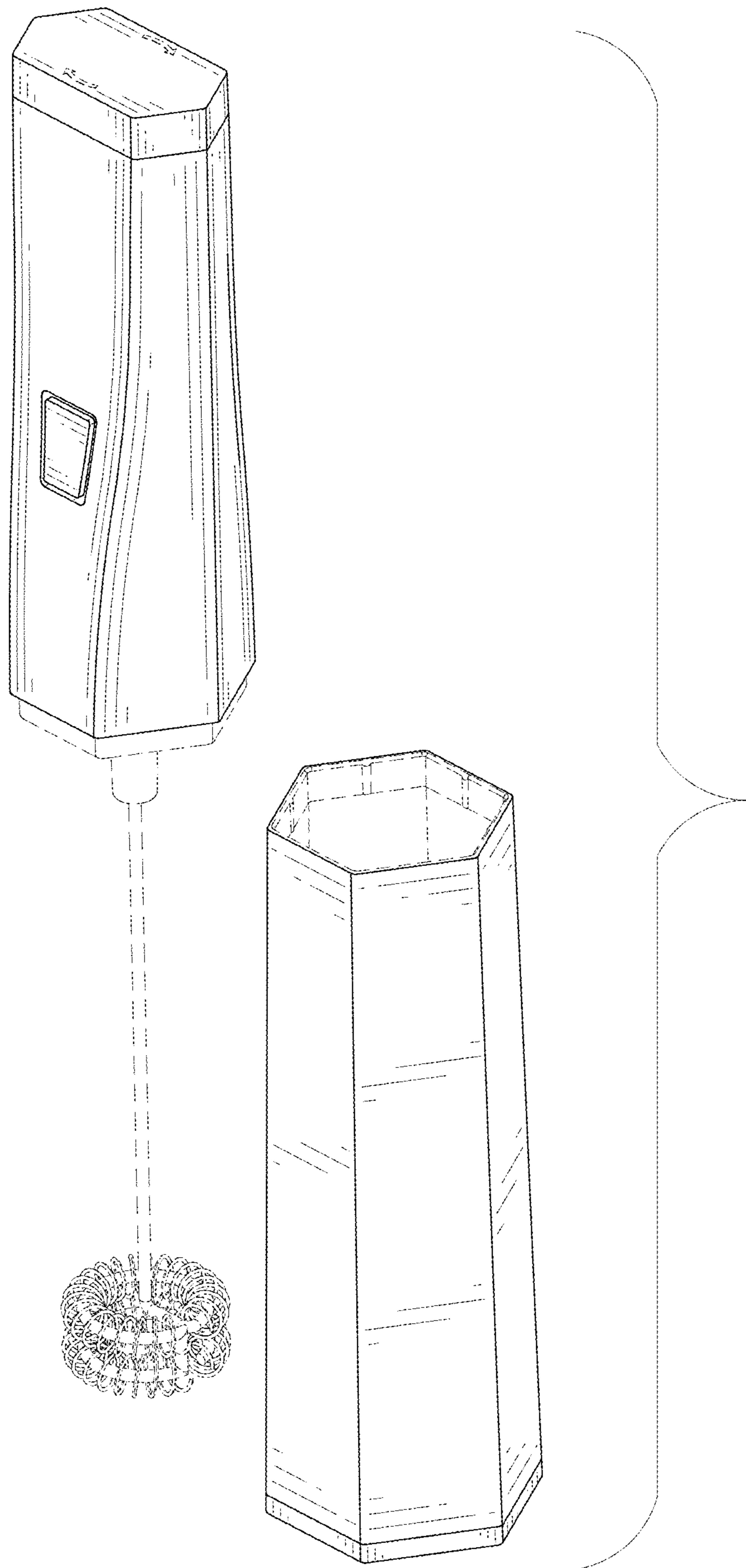


FIG. 9