



US00D906750S

(12) **United States Design Patent** (10) **Patent No.:** **US D906,750 S**
Kestenbaum (45) **Date of Patent:** **** Jan. 5, 2021**

(54) **COFFEE MAKER AND COMPONENTS THEREOF**

FOREIGN PATENT DOCUMENTS

(71) Applicant: **SharkNinja Operating LLC**,
Needham, MA (US)

JP 817686 9/1991
JP 1578234 5/2017

(Continued)

(72) Inventor: **Dan Kestenbaum**, Brookline, MA (US)

OTHER PUBLICATIONS

(73) Assignee: **SHARKNINJA OPERATING LLC**,
Needham, MA (US)

Amazon.com, Inc., "SharkNinja CF092 PowerDoF CM6626T 12-Cup Glass Carafe Programmable Coffee Maker, Small, Black/Stainless Steel," retrieved from Internet Jan. 24, 2020, (JPO Publicly Known Design No. HJ28047009), 8 pages.

(**) Term: **15 Years**

(Continued)

(21) Appl. No.: **29/649,477**

(22) Filed: **May 30, 2018**

Primary Examiner — Marianne N Pandozzi

(51) **LOC (13) Cl.** **07-01**

(74) *Attorney, Agent, or Firm* — Cantor Colburn LLP

(52) **U.S. Cl.**

USPC **D7/309**; D7/311

(58) **Field of Classification Search**

USPC D7/300, 309–311, 306–308, 305, 397,
D7/355, 362, 365, 367, 399; 222/146.6,
222/185.1, 135; 99/295, 273, 304, 288,
99/279, 307, 283

CPC A47J 31/02; A47J 31/407; A47J 31/50;
A47J 31/18; A47J 31/061; A47J 27/04;
A47J 31/0573; A47J 31/52; B67D
1/0036; B67D 1/0054

See application file for complete search history.

(57) **CLAIM**

The ornamental design for coffee maker and components thereof, as shown and described.

DESCRIPTION

FIG. 1 is a perspective view of a coffee maker and components thereof, showing our new design;

FIG. 2 is a front view of the embodiment shown in FIG. 1; FIG. 3 is a rear view of the embodiment shown in FIG. 1; FIG. 4 is side view of the embodiment shown in FIG. 1; FIG. 5 is another side view of the embodiment shown in FIG. 1;

FIG. 6 is a top view of the embodiment shown in FIG. 1; FIG. 7 is a bottom view of the embodiment shown in FIG. 1; and,

FIG. 8 is another perspective view of the embodiment shown in FIG. 1.

The broken lines in the figures are for environmental purposes only and form no part of the claimed design.

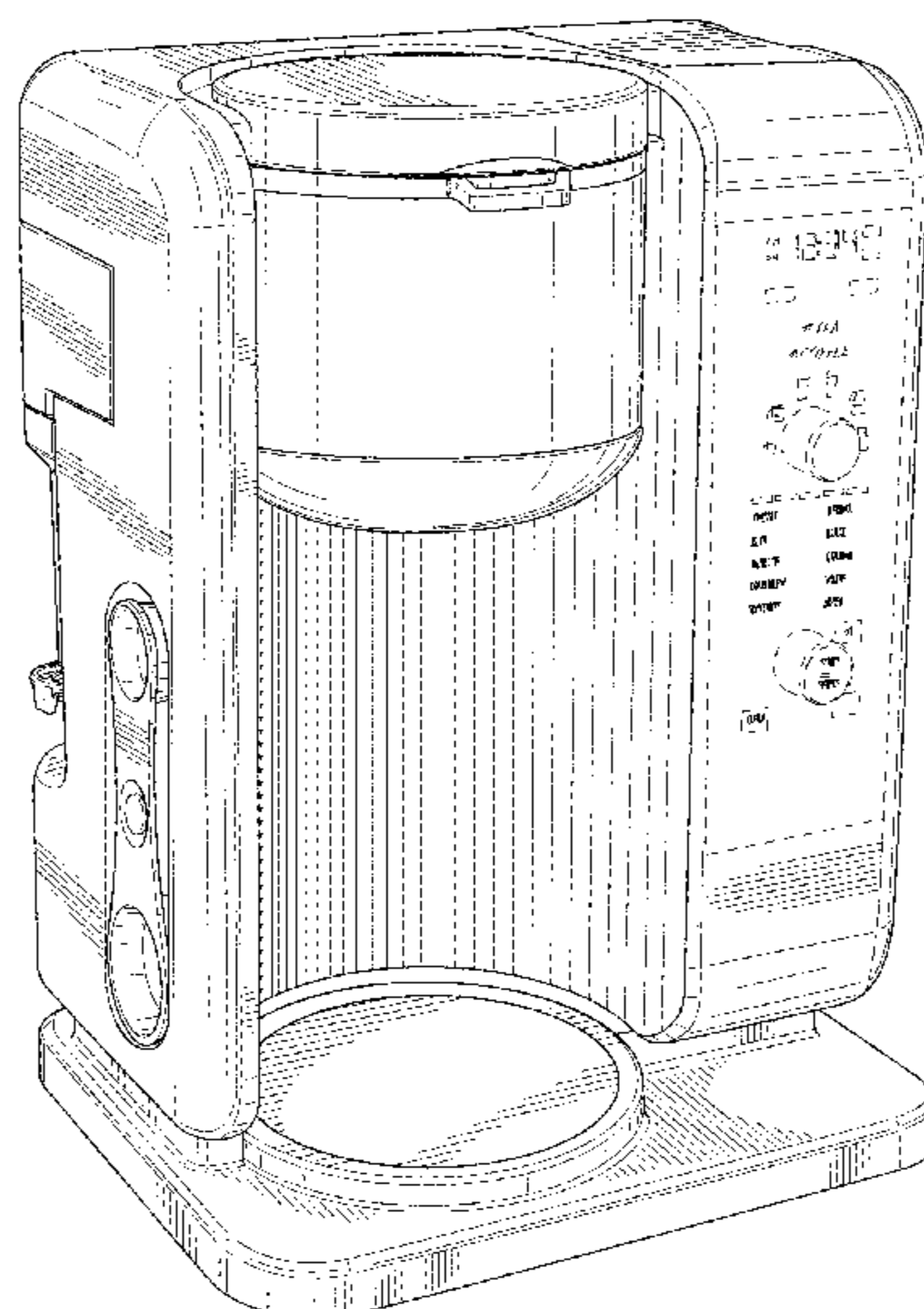
(56) **References Cited**

U.S. PATENT DOCUMENTS

D213,577 S 3/1969 Douglas
D225,365 S 12/1972 Beckman
D245,058 S 7/1977 Hauenstein
4,058,338 A 11/1977 Brown
D253,572 S 12/1979 Rinaldi
4,503,757 A 3/1985 Daugherty
4,590,975 A 5/1986 Credle
D296,408 S 6/1988 Gaunt et al.
D314,881 S 2/1991 Wondergem et al.
D317,996 S * 7/1991 Jack D7/309

(Continued)

1 Claim, 8 Drawing Sheets



(56)

References Cited

OTHER PUBLICATIONS

U.S. PATENT DOCUMENTS

D318,973 S 8/1991 Hasslacher
 D321,806 S 11/1991 Chaney
 D324,319 S 3/1992 Faerber et al.
 D327,601 S * 7/1992 Beeren D7/309
 D337,915 S 8/1993 Kahlcke
 D348,585 S 7/1994 Sham
 D379,049 S 5/1997 Amiel
 D381,237 S * 7/1997 De'Longhi D7/309
 D381,437 S 7/1997 Browning
 D409,875 S 5/1999 Alonge et al.
 5,931,082 A 8/1999 Kim et al.
 D452,106 S * 12/2001 Seiffert D7/305
 D490,639 S 6/2004 Kling
 D558,507 S 1/2008 Picozza et al.
 D562,052 S 2/2008 De Pra'
 D577,244 S 9/2008 Cahen
 D581,717 S 12/2008 Parker et al.
 D584,912 S 1/2009 Green et al.
 D585,691 S 2/2009 Borin
 D594,688 S 6/2009 Hammad et al.
 D598,693 S 8/2009 Kindler et al.
 D598,695 S 8/2009 Currie
 D634,962 S 3/2011 Butler
 D634,963 S 3/2011 Romandy
 D648,973 S 11/2011 De' Longhi
 8,210,095 B2 7/2012 Brezovnik et al.
 D696,890 S 1/2014 Poniedzialek
 D713,668 S 9/2014 Metaxatos et al.
 D727,084 S 4/2015 Dorr et al.
 D730,675 S 6/2015 Williams et al.
 D733,481 S 7/2015 Rousselin
 D742,159 S 11/2015 Doria et al.
 D752,377 S 3/2016 Maitland et al.
 D753,948 S 4/2016 Kestenbaum
 D756,696 S 5/2016 Murphy et al.
 D765,454 S 9/2016 Romandy
 D769,662 S * 10/2016 Palermo D7/306
 D770,831 S 11/2016 Affatato et al.
 D770,832 S 11/2016 Affatato et al.
 D771,992 S 11/2016 Yang
 D778,098 S 2/2017 Horimoto
 D782,242 S 3/2017 Lee
 D787,251 S 5/2017 Kestenbaum
 D789,725 S 6/2017 Kestenbaum
 D792,731 S 7/2017 Palermo et al.
 D801,506 S * 10/2017 Sevy D23/366
 D802,978 S 11/2017 Kestenbaum
 D803,611 S 11/2017 Hanneson et al.
 D814,222 S 4/2018 Bronwasser
 D815,904 S 4/2018 Lane
 D823,035 S 7/2018 Ricica
 D823,036 S 7/2018 Kestenbaum
 D823,628 S * 7/2018 Steiner D7/309
 D833,792 S * 11/2018 Garman D7/309
 D834,870 S 12/2018 Steiner
 D853,770 S 7/2019 Koury et al.
 D854,363 S 7/2019 Behrmann
 D878,846 S 3/2020 Kestenbaum
 D879,535 S 3/2020 Ricica
 2004/0112224 A1 6/2004 Drobeck
 2009/0255408 A1 10/2009 Lassota et al.
 2015/0190011 A1 7/2015 Minard
 2019/0045968 A1 2/2019 Hartmann et al.
 2019/0387920 A1 12/2019 Anthony et al.

FOREIGN PATENT DOCUMENTS

JP 1578238 5/2017
 WO 2013098777 A1 7/2013
 WO 2014028844 A1 2/2014
 WO 2016164796 A1 10/2016
 WO 2019067595 A1 4/2019

Hammacher Schlemmer, "The Four Specific Brew Barista Machine," 89861, retrieved from Internet Jan. 24, 2020, (JPO Publicly Known Design No. HJ28041235), 3 pages.
 International Search Report for International Application No. PCT/US2019/038269; dated Nov. 25, 2019; International Filing Date: Jun. 20, 2019; 7 pages.
 Invitation to Pay Additional Fees for International Application No. PCT/US2019/038269; International Filing Date: Jun. 20, 2019; dated Sep. 27, 2019; 197 pages.
 Japanese Design Application No. 201826036 filed Nov. 30, 2018; Notice of Allowance dated Nov. 8, 2019; 6 pages.
 Japanese Design Application No. 201826037 filed Nov. 30, 2018; Notice of Allowance dated Nov. 8, 2019; 6 pages.
 Korean Design and Trademark Gazette, vol. 795, (Aug. 23, 1989), p. 40, 93797, (JPO Publicly Known Design No. HH02008182), 4 pages.
 Philips, "1/91ELEKTRO-Hausgera TE-Programm," HD5860, p. 23, dated Nov. 28, 1991, (JPO Publicly Known Design No. HD04000894), 5 pages.
 U.S. Appl. No. 29/649,476, filed May 30, 2018; Restriction Requirement dated Jan. 16, 2020; 8 pages.
 U.S. Appl. No. 29/649,476, filed May 30, 2018; Restriction Requirement dated Dec. 19, 2019; 7 pages.
 Written Opinion for International Application No. PCT/US2019/038269; dated Nov. 25, 2019; International Filing Date: Jun. 20, 2019; 11 pages.
 Amazon.com; "SharkNinja PowerDoF CM6626T 12-Cup Glass Carafe Programmable Coffee Maker, Small, Black/Stainless Steel"; Nov. 11, 2016; pp. 1-11; https://www.amazon.com/gp/product/b01ka7vwpy/ref=zg_bsnr_289745_1?e=utf8&psc=1&refrid=nry9kbp5b5nrh7e6dp8n.
 Application for Registration of an Industrial Design Examiner's Report; Canadian Application No. 171623; dated Nov. 14, 2017; 2 Pages.
 Application for Registration of an Industrial Design Examiner's Report; Canadian Application No. 171623; dated Feb. 17, 2017; 1 Page.
 Application for Registration of an Industrial Design Examiner's Report; Canadian Application No. 171623; dated Jul. 25, 2017; 1 Page.
 Decision to Dismiss the Amendment; Korean Application No. 30-2016-0053885; dated Jul. 6, 2017; 5 Pages.
 Japanese Patent Application No. 2019018140 filed Aug. 16, 2019; Office Action dated May 11, 2020; 6 pages.
 Non-Final Office Action; U.S. Appl. No. 29/564,778; filed May 16, 2016; CARAFE; Notification Date: Mar. 10, 2017; 9 Pages.
 Non-Final Office Action; U.S. Appl. No. 29/622,046; filed Oct. 13, 2017; CARAFE; dated Jun. 5, 2018; 20 Pages.
 Notice of Allowance; Japanese Design Application No. 2016-024849; dated Mar. 31, 2017; 2 Pages.
 Notice of Allowance; Japanese Design Application No. 2016-024850; dated Mar. 31, 2017; 2 Pages.
 Notice of Allowance; Japanese Design Application No. 2016-024851; dated Mar. 31, 2017; 2 Pages.
 Notice of Allowance; Japanese Design Application No. 2016-024852; dated Mar. 31, 2017; 2 Pages.
 Notice of Allowance; Japanese Design Application No. 2016-024853; dated Mar. 31, 2017; 2 Pages.
 Notice of Allowance; Japanese Design Application No. 2016-024854; dated Mar. 31, 2017; 2 Pages.
 Notice of Allowance; Japanese Design Application No. 2016-024855; dated Mar. 31, 2017; 2 Pages.
 Notice of Allowance; U.S. Appl. No. 29/564,776; filed May 16, 2016; Coffee Maker; dated Mar. 21, 2018; 11 Pages.
 Notice of Allowance; U.S. Appl. No. 29/564,778; filed May 16, 2016; CARAFE; dated Jul. 13, 2017; 10 Pages.
 Notice of Allowance; U.S. Appl. No. 29/564,780; filed May 16, 2016; Coffee Maker; dated Mar. 21, 2018; 11 Pages.
 Notice of Completion of Formalities for Patent Register and Notice of Grant of Design Patent Right; Chinese Application No. 2016305567649; dated Jan. 19, 2015; 5 Pages.

(56)

References Cited

OTHER PUBLICATIONS

Notice of Completion of Formalities for Patent Register and Notice of Grant of Design Patent Right; Chinese Application No. 2016305570459; dated Jan. 19, 2017; 5 Pages.
 Notice of Completion of Formalities for Patent Register and Notice of Grant of Design Patent Right; Chinese Application No. 201630557068X; dated Jan. 19, 2017; 5 Pages.
 Notice of Completion of Formalities for Patent Register and Notice of Grant of Design Patent Right; Chinese Application No. 2016305573207; dated Jan. 17, 2019; 5 Pages.
 Notice of References; Japanese Design Application No. 2016-024849; dated Mar. 21, 2017; 2 Pages.
 Notice of References; Japanese Design Application No. 2016-024850; dated Mar. 31, 2017; 2 Pages.
 Preliminary Rejection; Korean Application No. 30-2016-0053875; dated Jul. 4, 2017; 3 Pages.
 Preliminary Rejection; Korean Application No. 30-2016-0053876; dated Oct. 14, 2017; 7 Pages.
 Preliminary Rejection; Korean Application No. 30-2016-0053877; dated Jul. 4, 2017; 4 Pages.
 Preliminary Rejection; Korean Application No. 30-2016-0053878; dated Jul. 4, 2017; 2 Pages.

Preliminary Rejection; Korean Application No. 30-2016-0053879; dated Jul. 4, 2017; 5 Pages.
 Preliminary Rejection; Koren Application No. 30-2016-0053882; dated Jul. 4, 2017; 5 Pages.
 Preliminary Rejection; Korean Application No. 30-2016-0053885; dated Jul. 4, 2017; 5 Pages.
 Requirement for Restriction/Election; U.S. Appl. No. 29/564,776; filed May 15, 2016; Coffee Maker and Components Thereof; dated Dec. 7, 2017; 18 Pages.
 Requirement for Restriction/Election; U.S. Appl. No. 29/564,780; filed May 16, 2016; Coffee Maker and Components Thereof; dated Dec. 7, 2017; 18 Pages.
 U.S. Appl. No. 29/622,046 filed Oct. 13, 2017; Notice of Allowance dated Oct. 25, 2018; 6 Pages.
 U.S. Appl. No. 29/653,369 filed Jun. 14, 2018; Restriction Requirement dated Jul. 18, 2019; 19 Pages.
 U.S. Appl. No. 29/653,379 filed Jun. 14, 2018; Restriction Requirement dated Jul. 18, 2019; 19 Pages.
 U.S. Appl. No. 29/724,419 filed Feb. 14, 2020; Restriction Requirement dated Apr. 27, 2020; 9 Pages.
 U.S. Appl. No. 29/680,943 filed Feb. 21, 2019; Restriction Requirement dated May 1, 2020; 16 Pages.

* cited by examiner

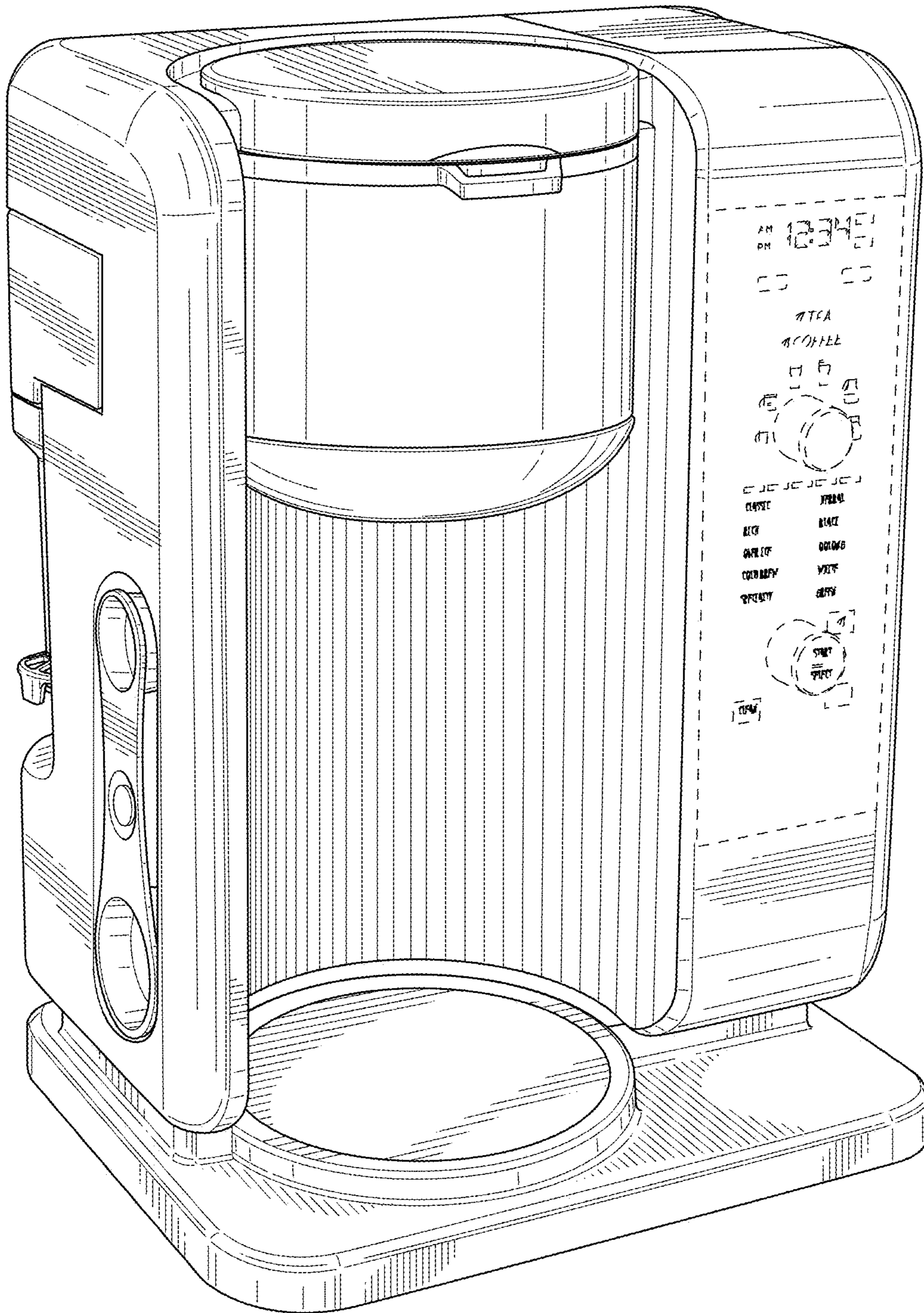


FIG. 1

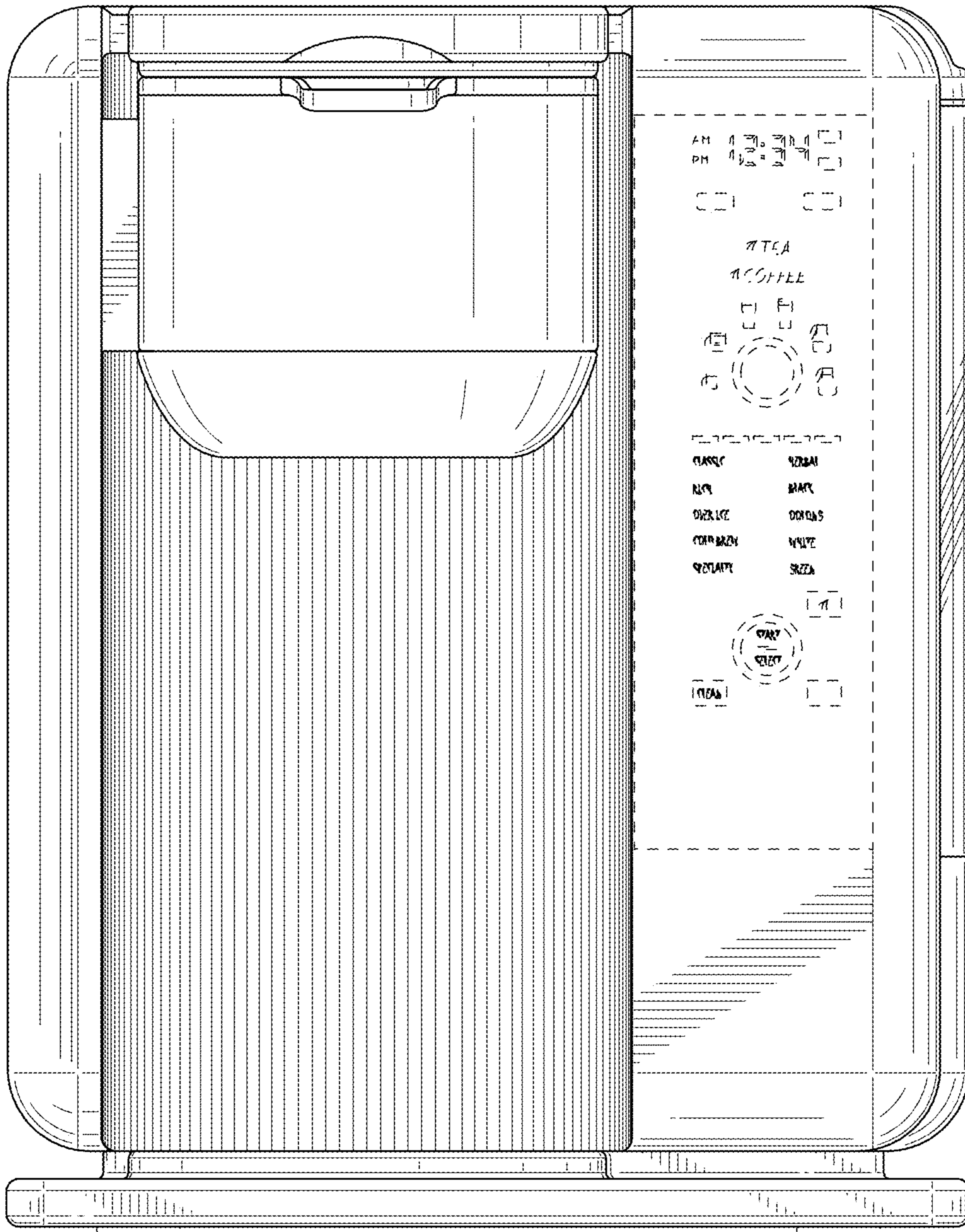


FIG. 2

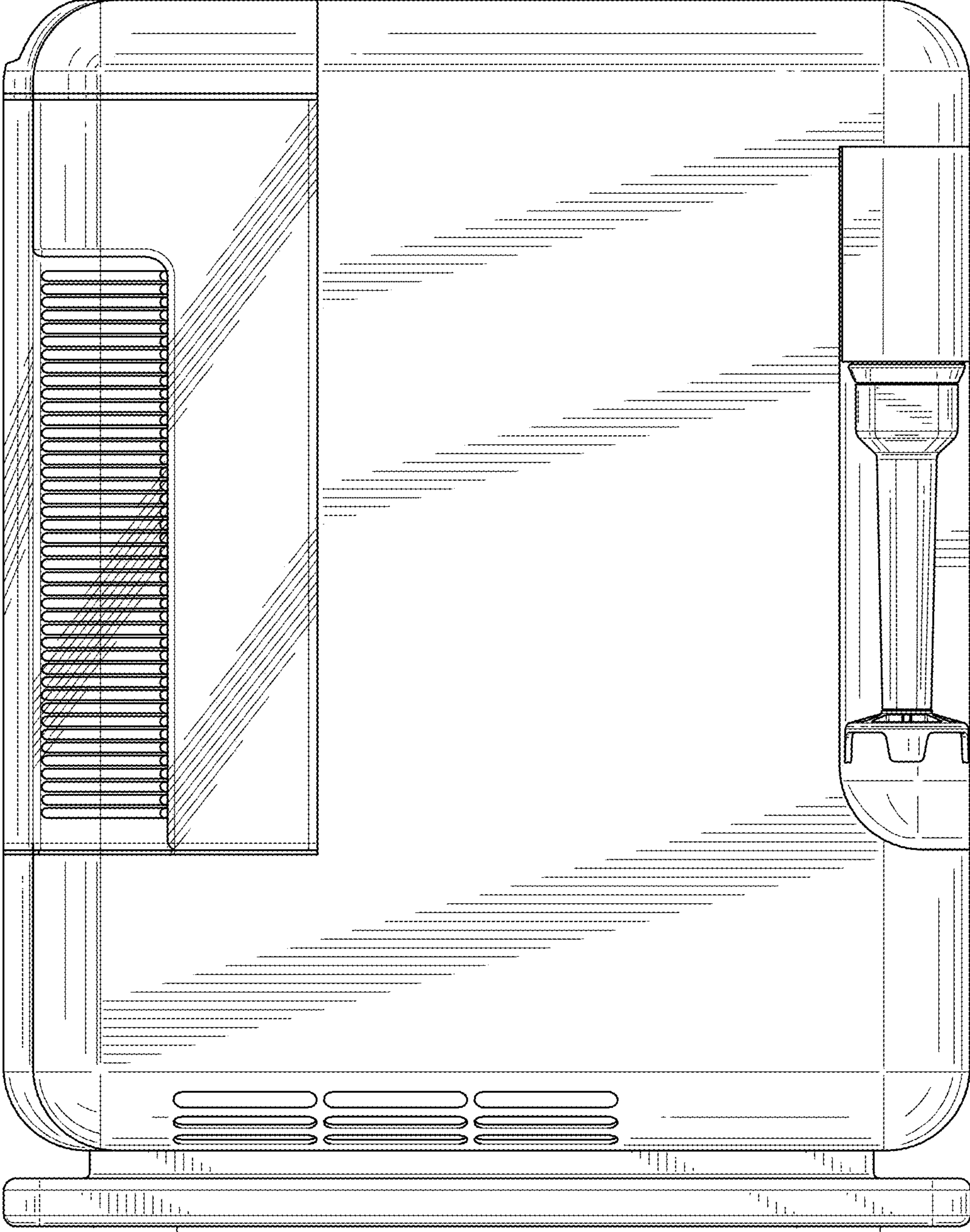


FIG. 3

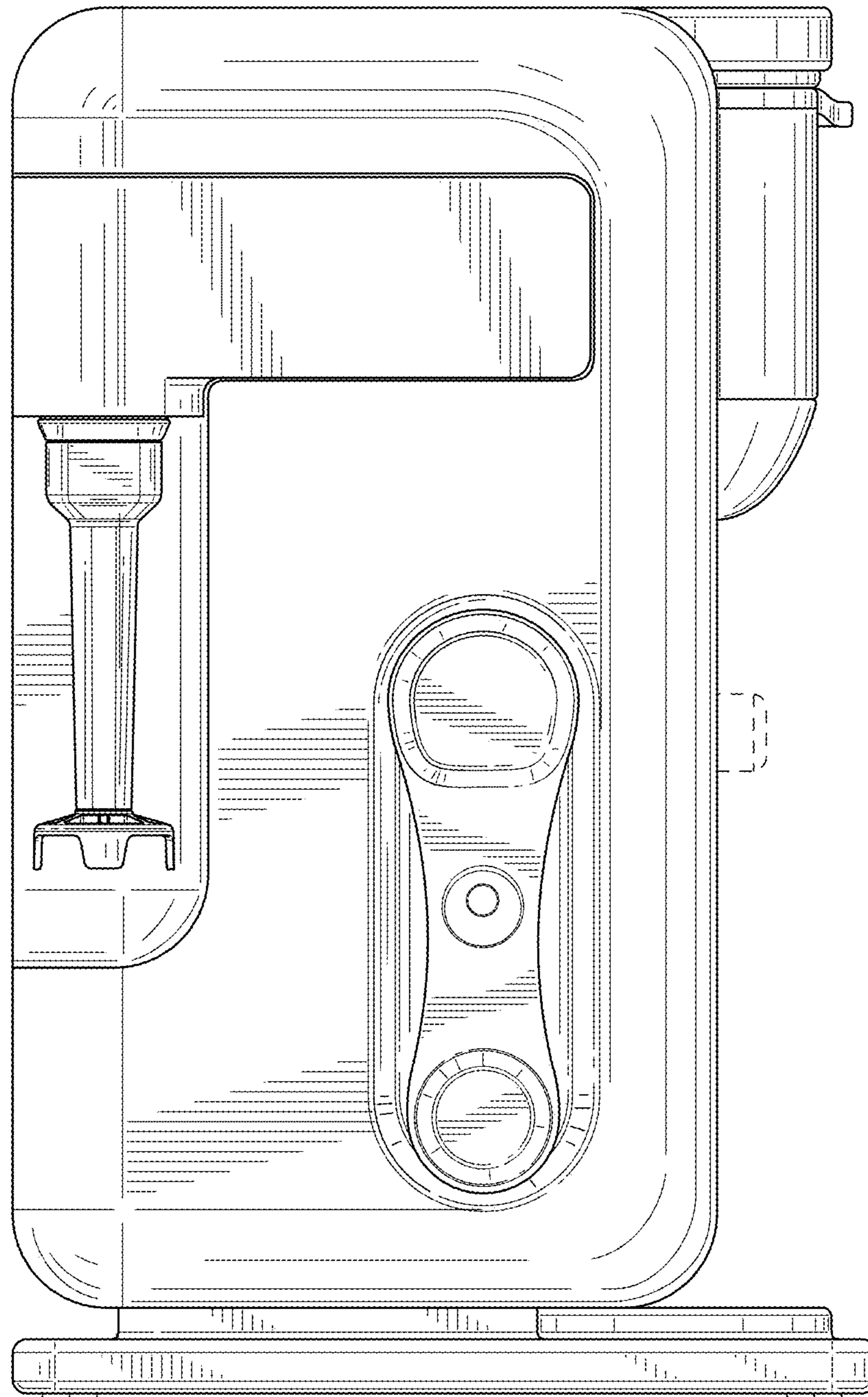


FIG. 4

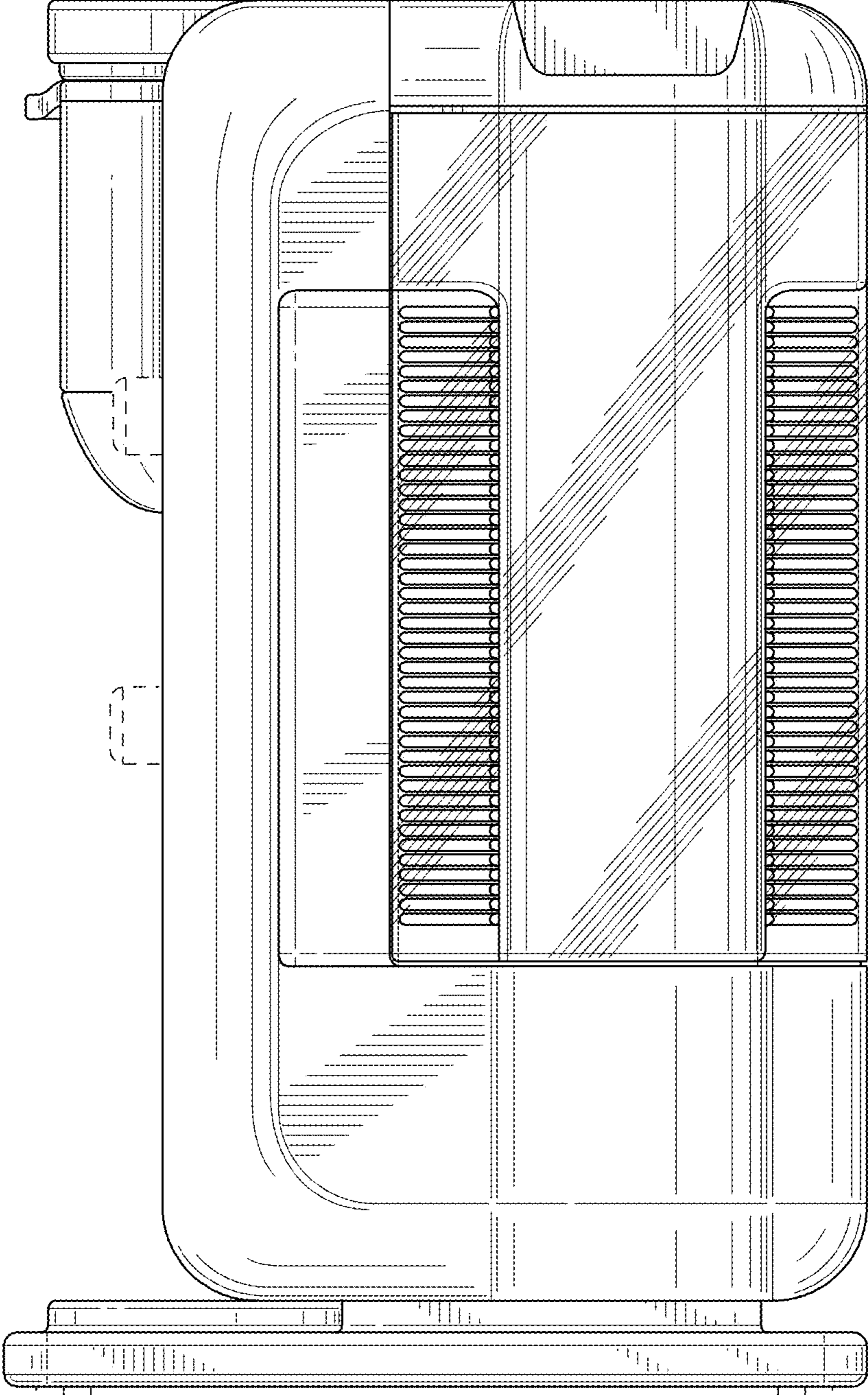


FIG. 5

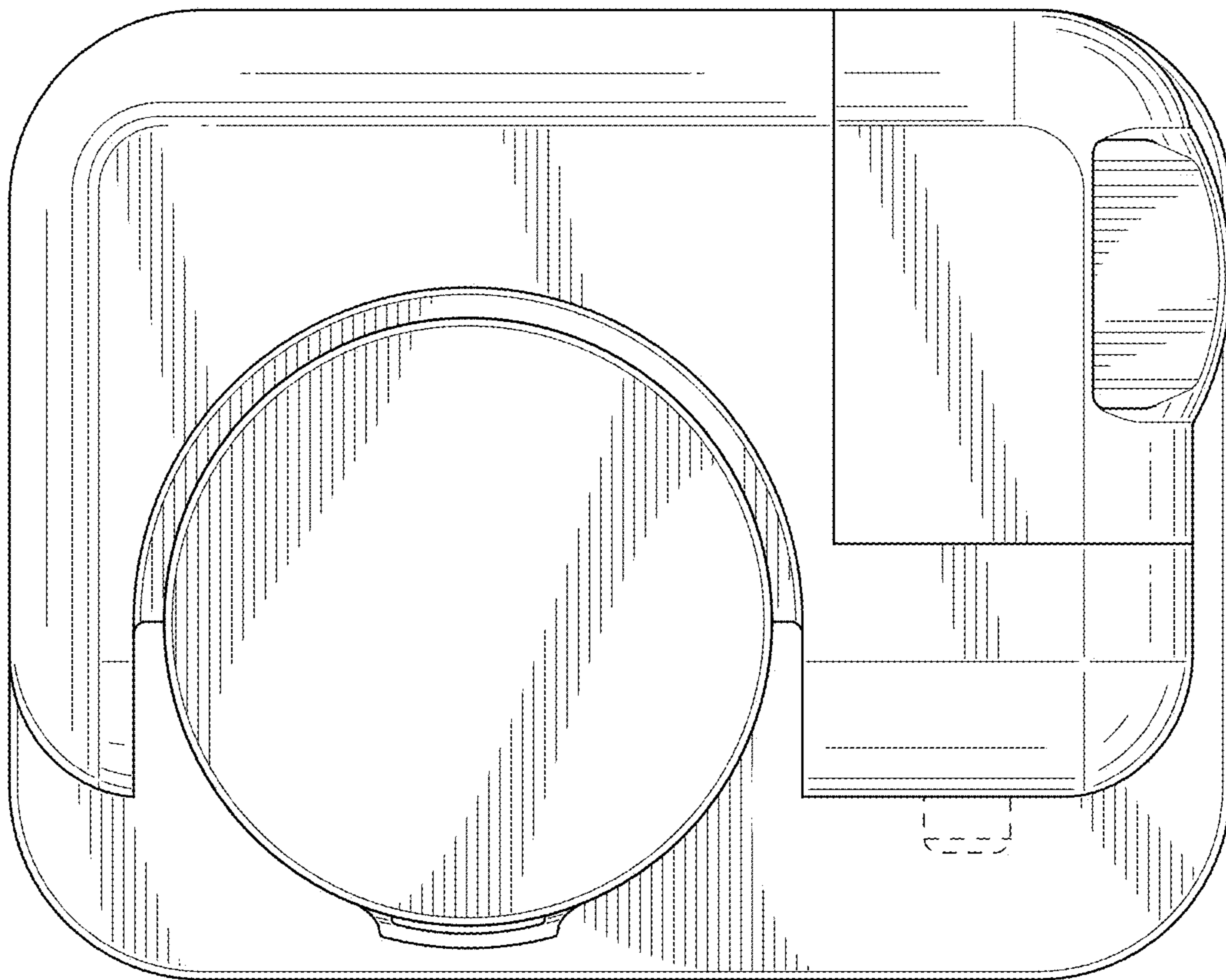


FIG. 6

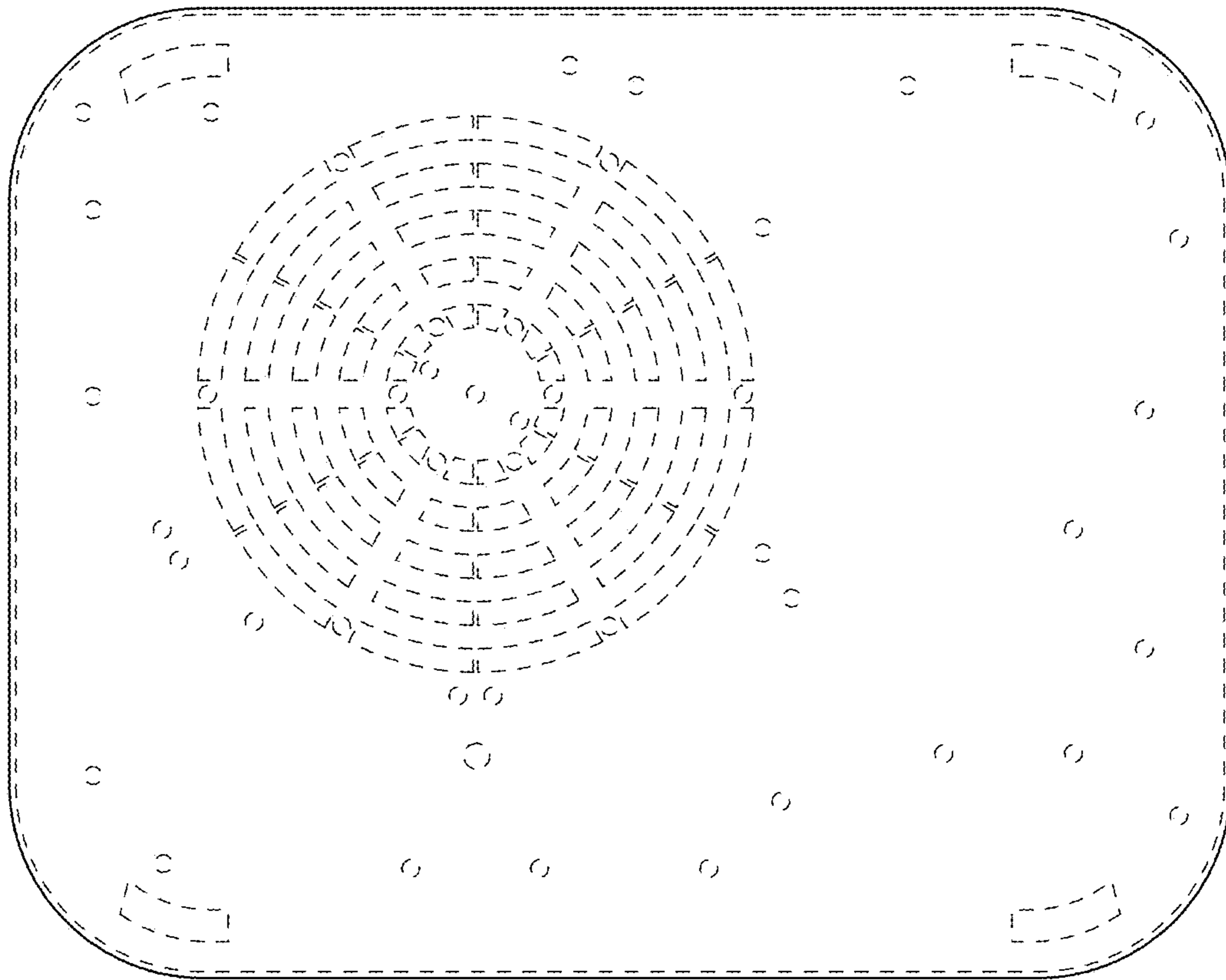


FIG. 7

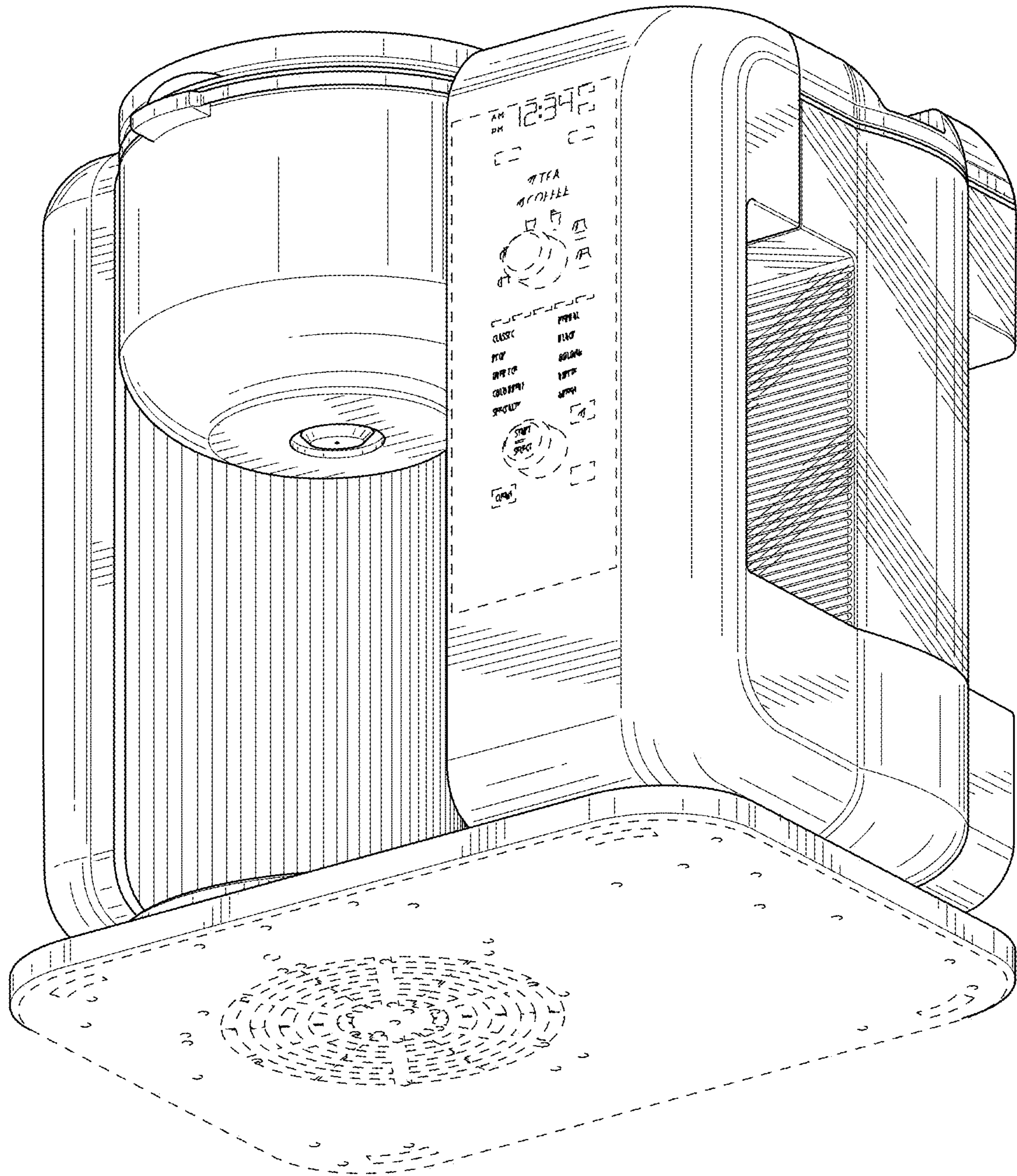


FIG. 8