



US00D906749S

(12) **United States Design Patent**
Teng

(10) **Patent No.:** **US D906,749 S**
(45) **Date of Patent:** **** Jan. 5, 2021**

- (54) **BED RAIL**
- (71) Applicant: **GOLD KERNAL LLC**, Wilmington, DE (US)
- (72) Inventor: **Fei Teng**, Chengdu (CN)
- (73) Assignee: **GOLD KERNAL LLC**, Wilmington, DE (US)
- (**) Term: **15 Years**
- (21) Appl. No.: **29/750,689**
- (22) Filed: **Sep. 16, 2020**
- (51) **LOC (13) Cl.** **06-06**
- (52) **U.S. Cl.**
USPC **D6/718.3**
- (58) **Field of Classification Search**
USPC D6/390, 391, 392, 718, 718.3
CPC A47C 21/08; A61G 7/052; A61G 7/053;
A61G 7/0507; A61G 7/0516; A61G 7/0518

See application file for complete search history.

(56) **References Cited**

U.S. PATENT DOCUMENTS

- D208,607 S * 9/1967 Williams A47C 21/08
D3/7
- 5,400,450 A * 3/1995 Leoutsakos A47C 21/08
5/426
- 5,596,776 A * 1/1997 Huang A47C 21/08
5/426
- 6,058,531 A * 5/2000 Carroll A47C 21/08
5/428
- 6,138,301 A * 10/2000 Battiston A61G 7/053
5/659
- D433,856 S * 11/2000 Blum A47C 21/08
D6/718.3
- D445,614 S * 7/2001 Sommerfeld A47C 21/08
D6/718

- 6,401,280 B1 * 6/2002 Baker A47C 21/08
5/426
- 6,425,154 B1 * 7/2002 O'Connell A61G 7/053
482/121
- 6,539,569 B2 * 4/2003 O'Connell A61G 7/053
482/121
- 7,373,679 B2 * 5/2008 Miller A47C 21/08
5/426
- 7,775,228 B2 * 8/2010 Clark A61G 7/1038
135/66
- 7,797,775 B2 * 9/2010 Miller A61G 7/0509
5/662
- D718,968 S 12/2014 Zakel
- 8,973,192 B2 * 3/2015 Miller A47C 21/08
5/662
- 9,387,141 B1 * 7/2016 Flannery A47C 21/08
- D798,641 S 10/2017 Park et al.
- 2011/0185507 A1 * 8/2011 Abernathy A61G 7/053
5/662
- 2020/0323716 A1 * 10/2020 Gallagher A61G 7/0516

* cited by examiner

Primary Examiner — Cathron C Brooks

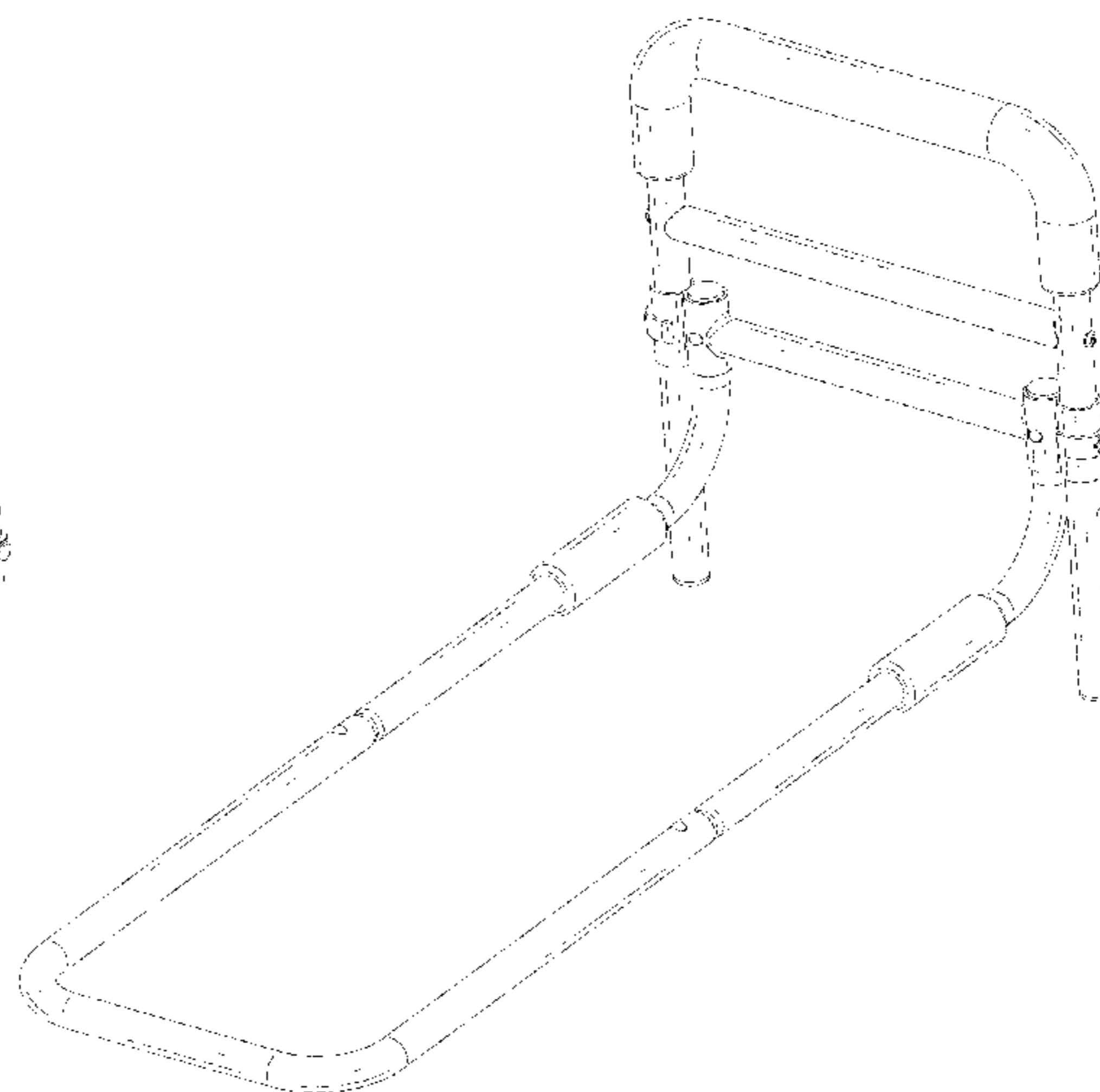
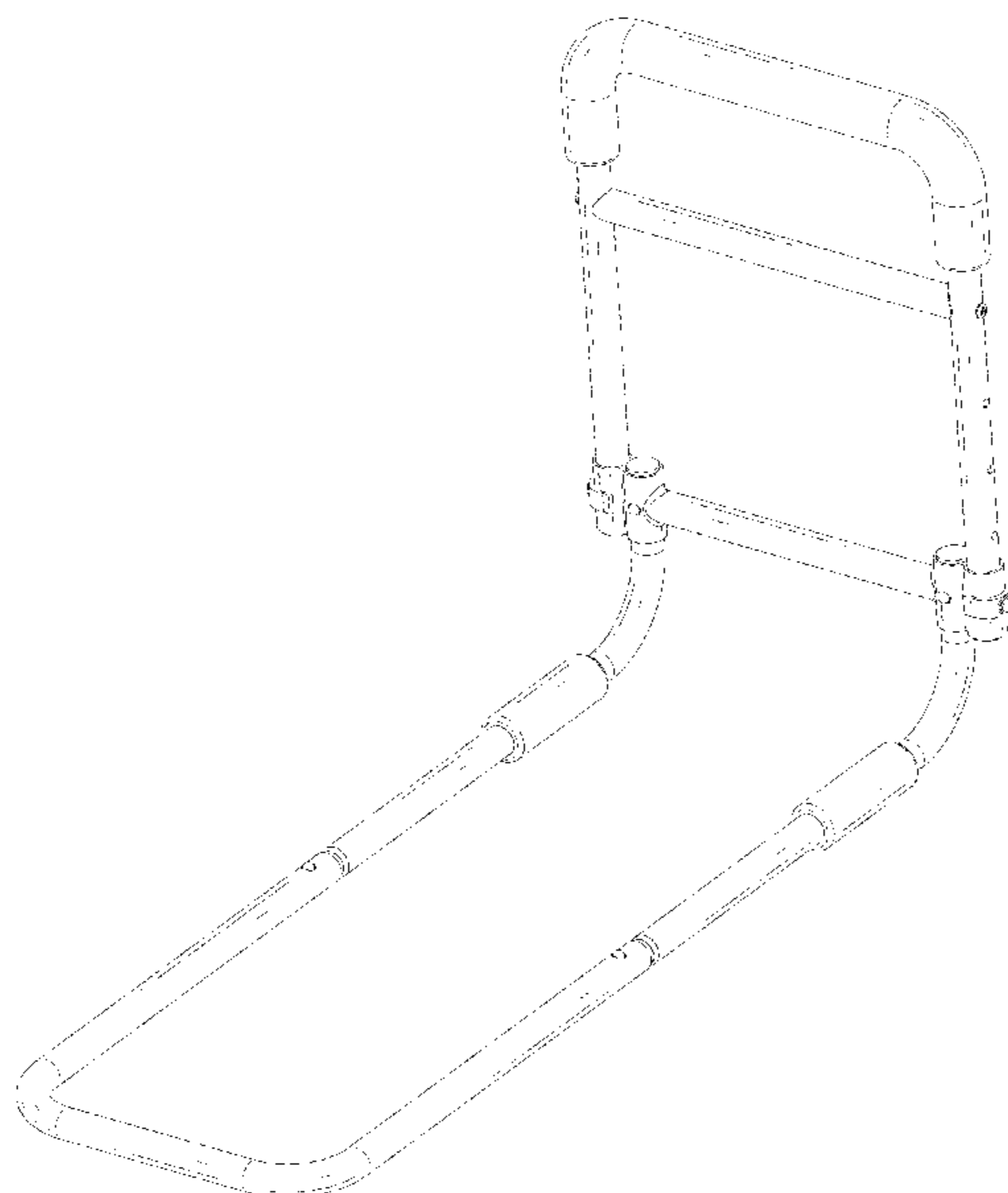
(57) **CLAIM**

The ornamental design for a bed rail, as shown and described.

DESCRIPTION

FIG. 1 is a perspective view of a bed rail showing my new design;
 FIG. 2 is another perspective view thereof;
 FIG. 3 is a front elevational view thereof;
 FIG. 4 is a rear elevational view thereof;
 FIG. 5 is a left side elevational view thereof;
 FIG. 6 is a right side elevational view thereof;
 FIG. 7 is a top plan view thereof;
 FIG. 8 is a bottom plan view thereof; and,
 FIG. 9 is a perspective view of the bed rail where the bed rail is in a configuration of use.

1 Claim, 9 Drawing Sheets



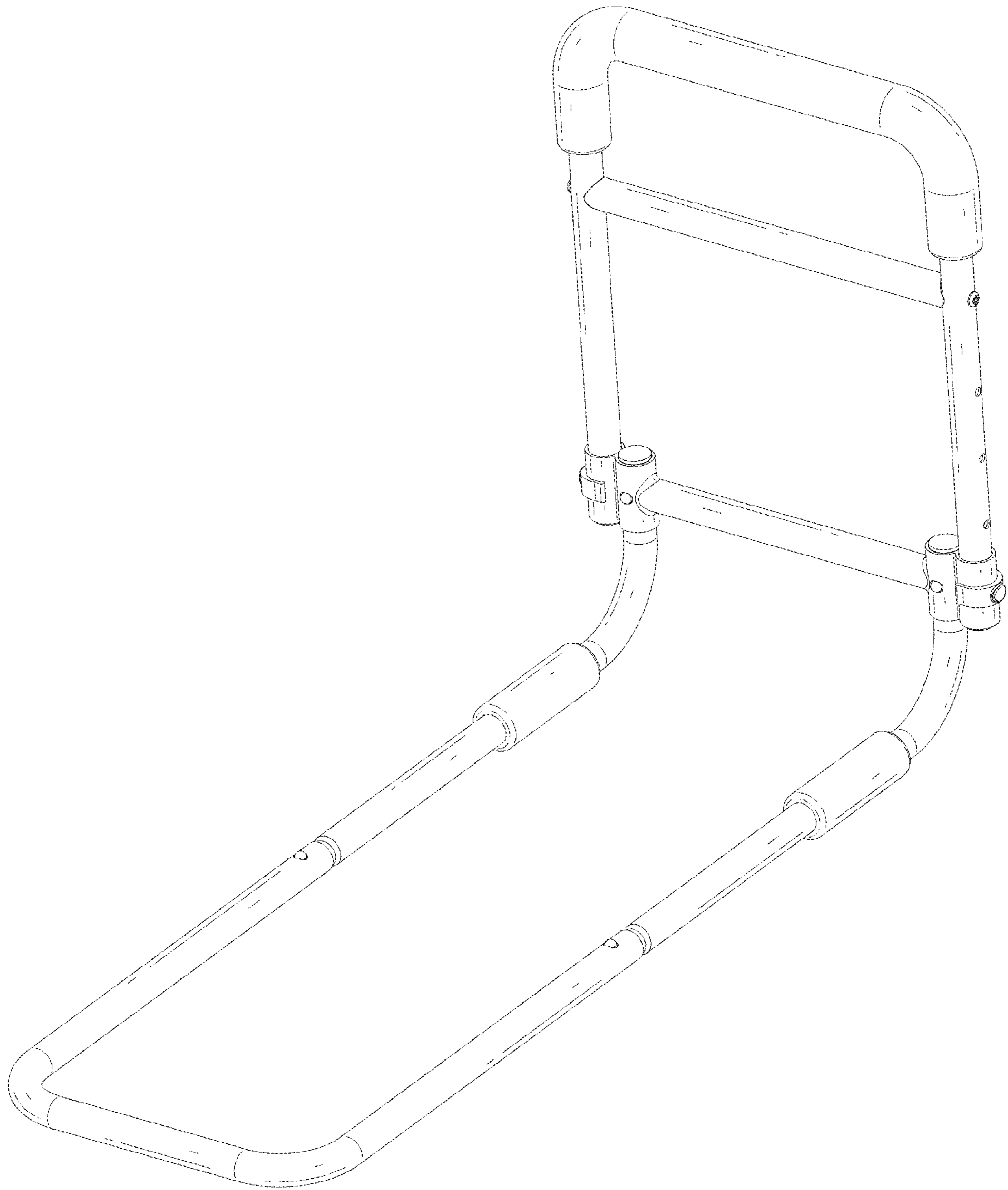


FIG. 1

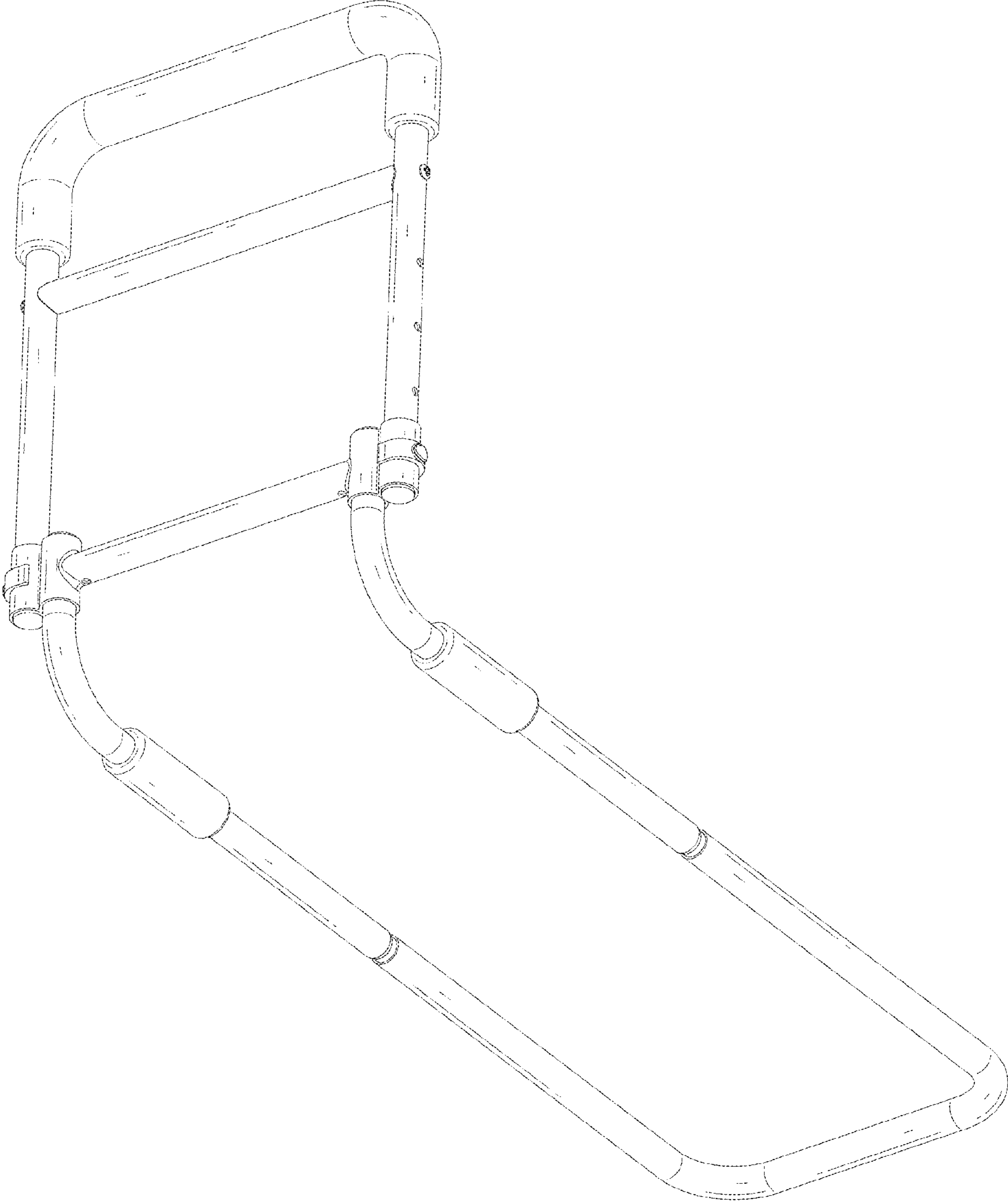


FIG. 2

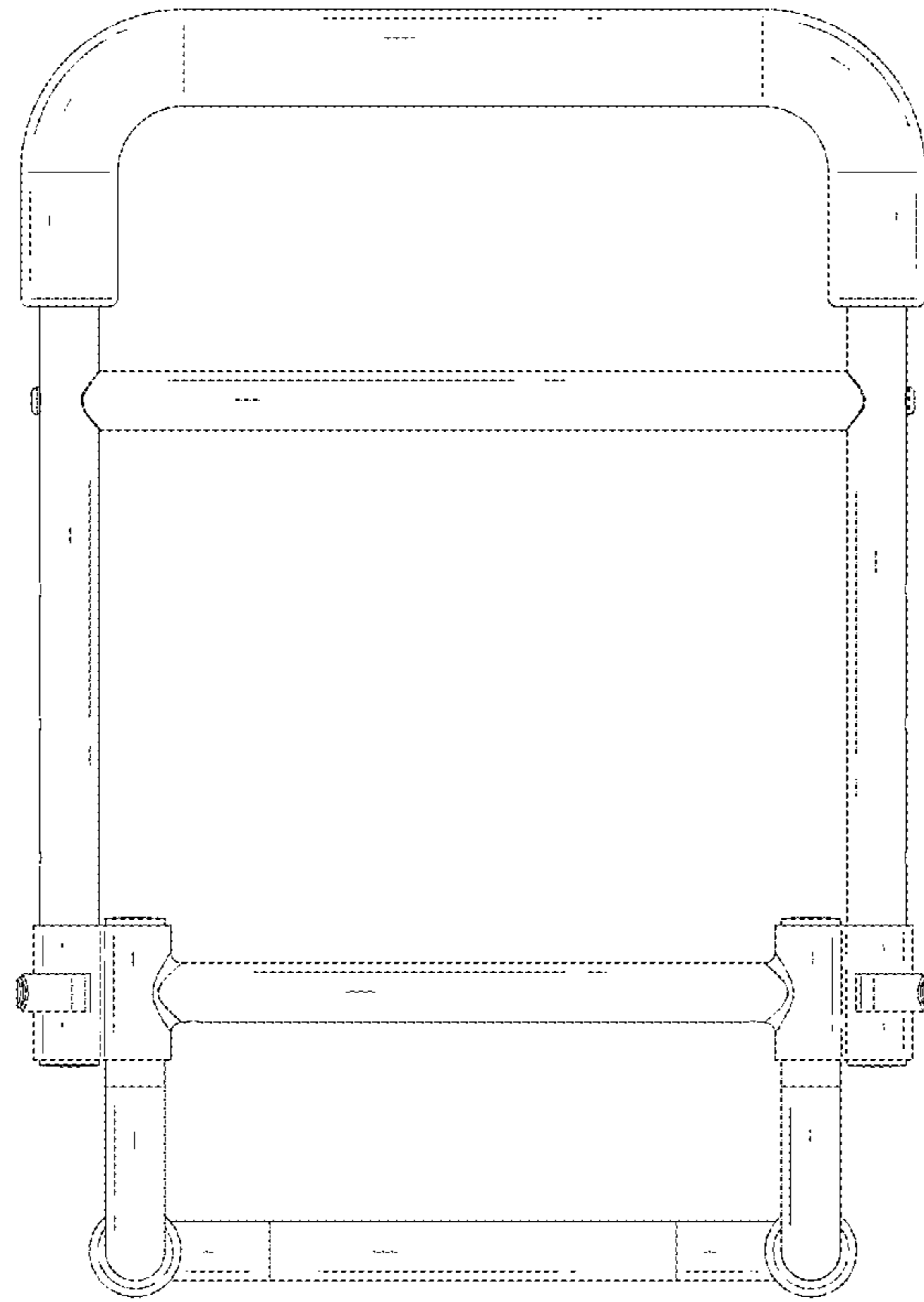


FIG. 3

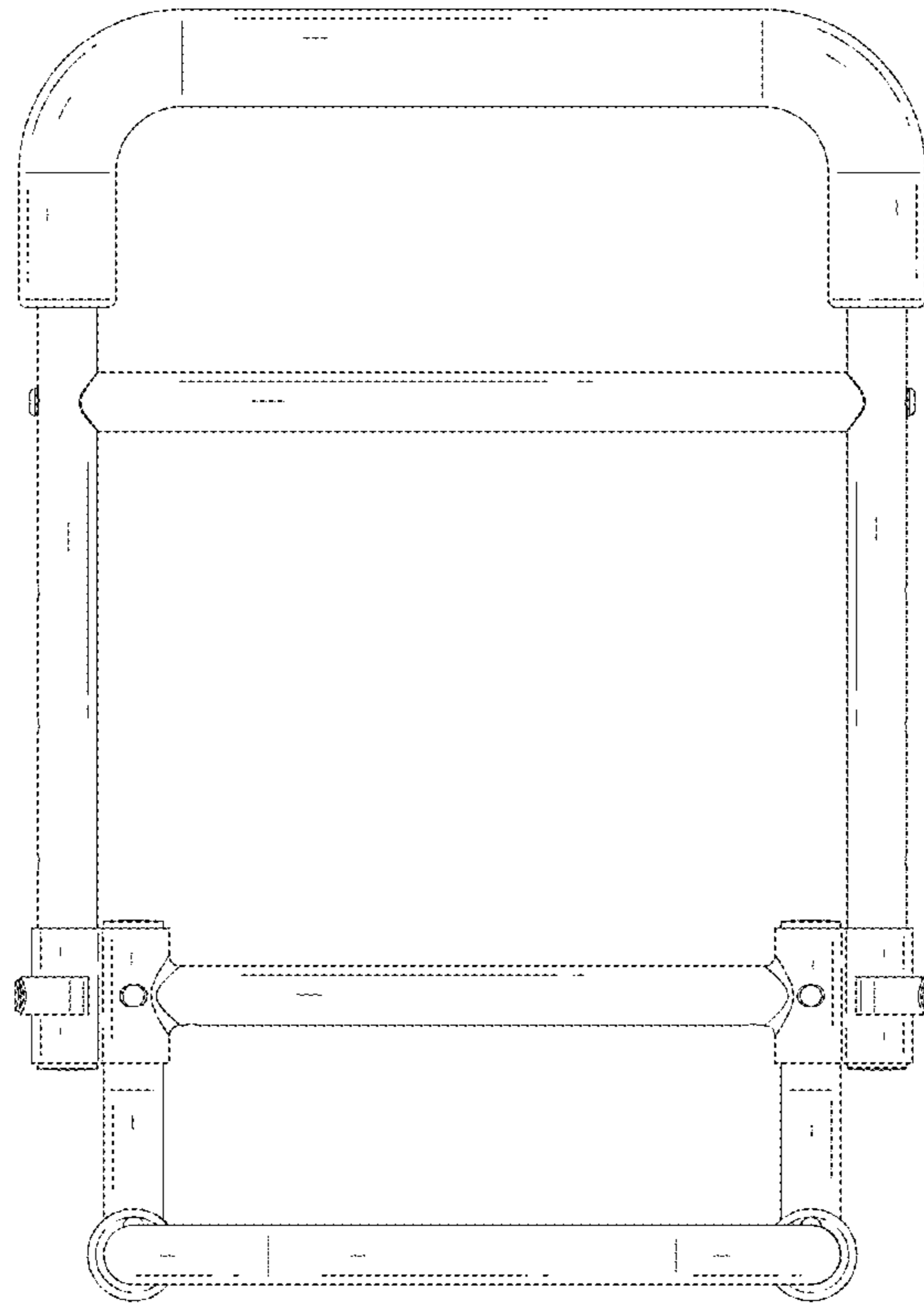


FIG. 4



FIG. 5



FIG. 6

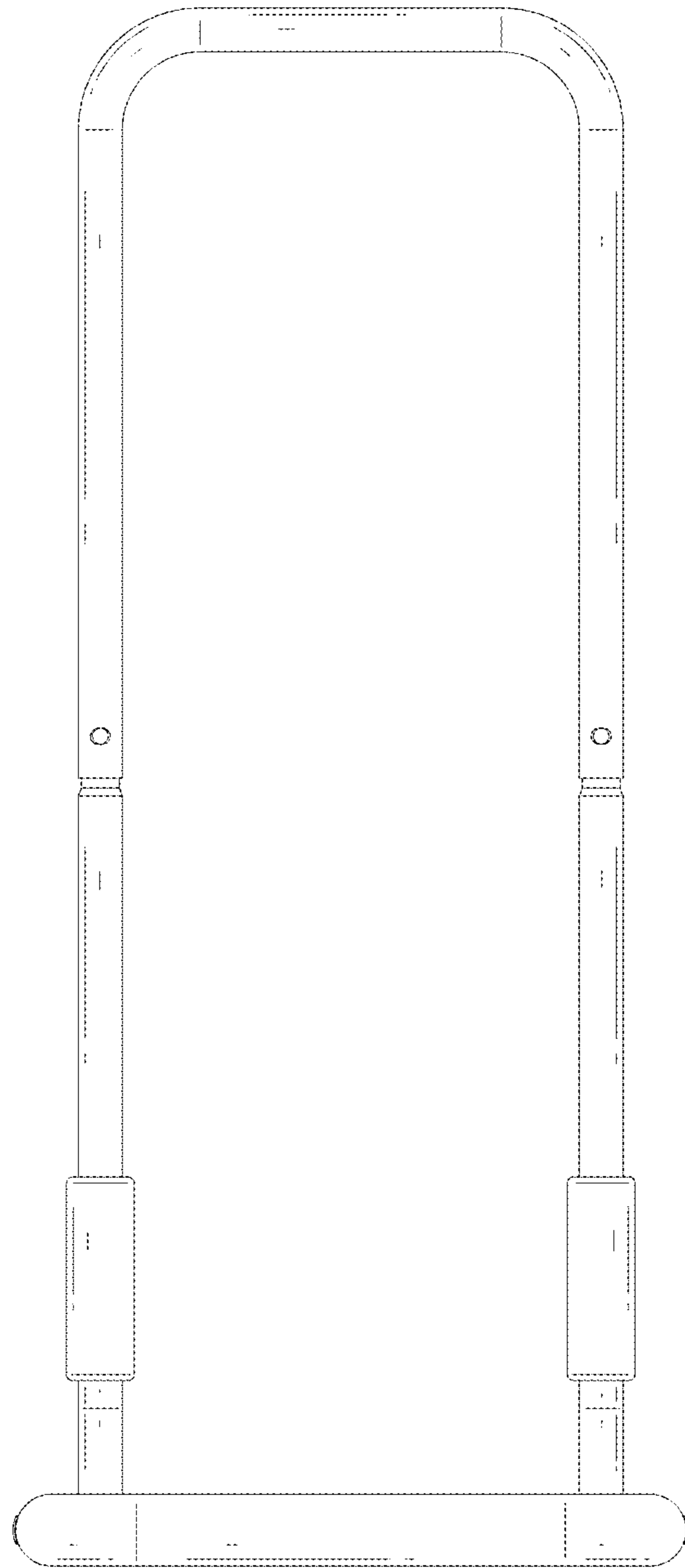


FIG. 7

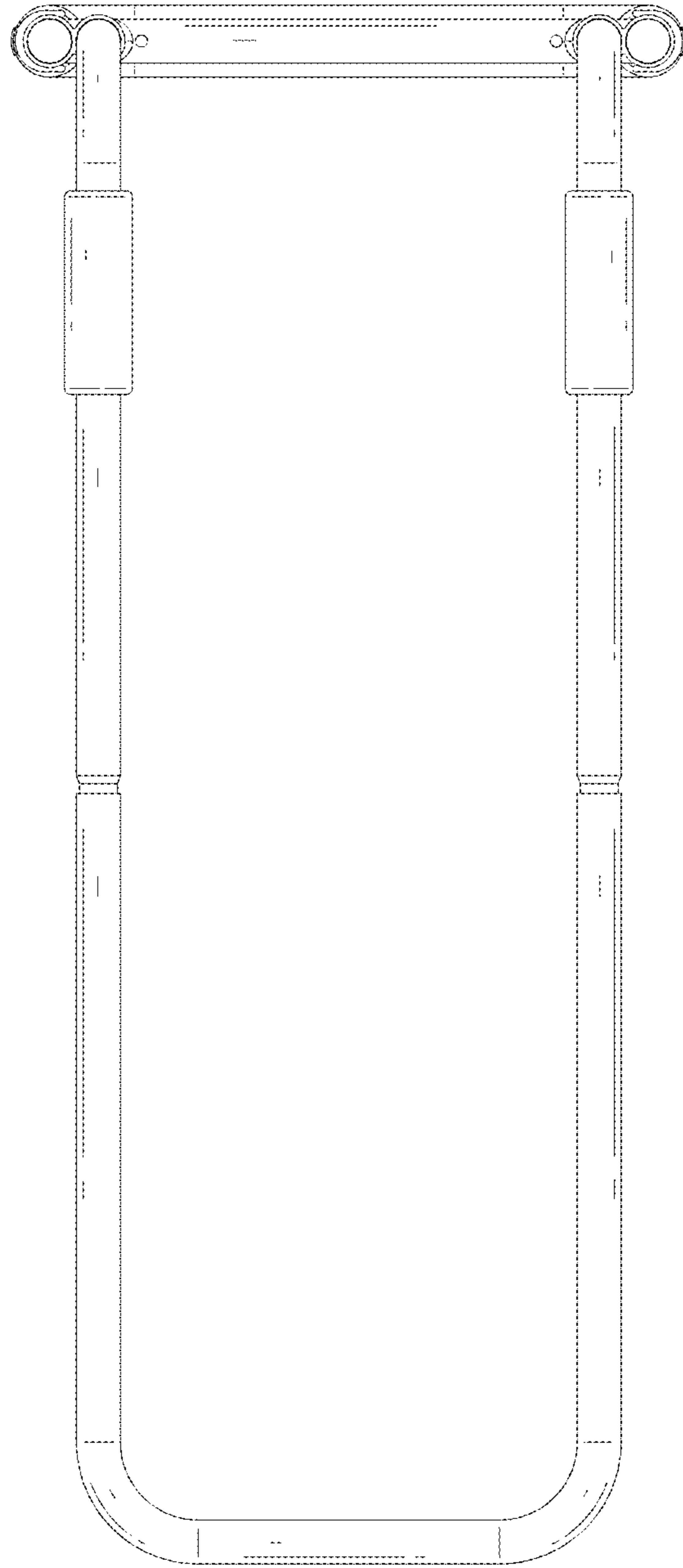


FIG. 8

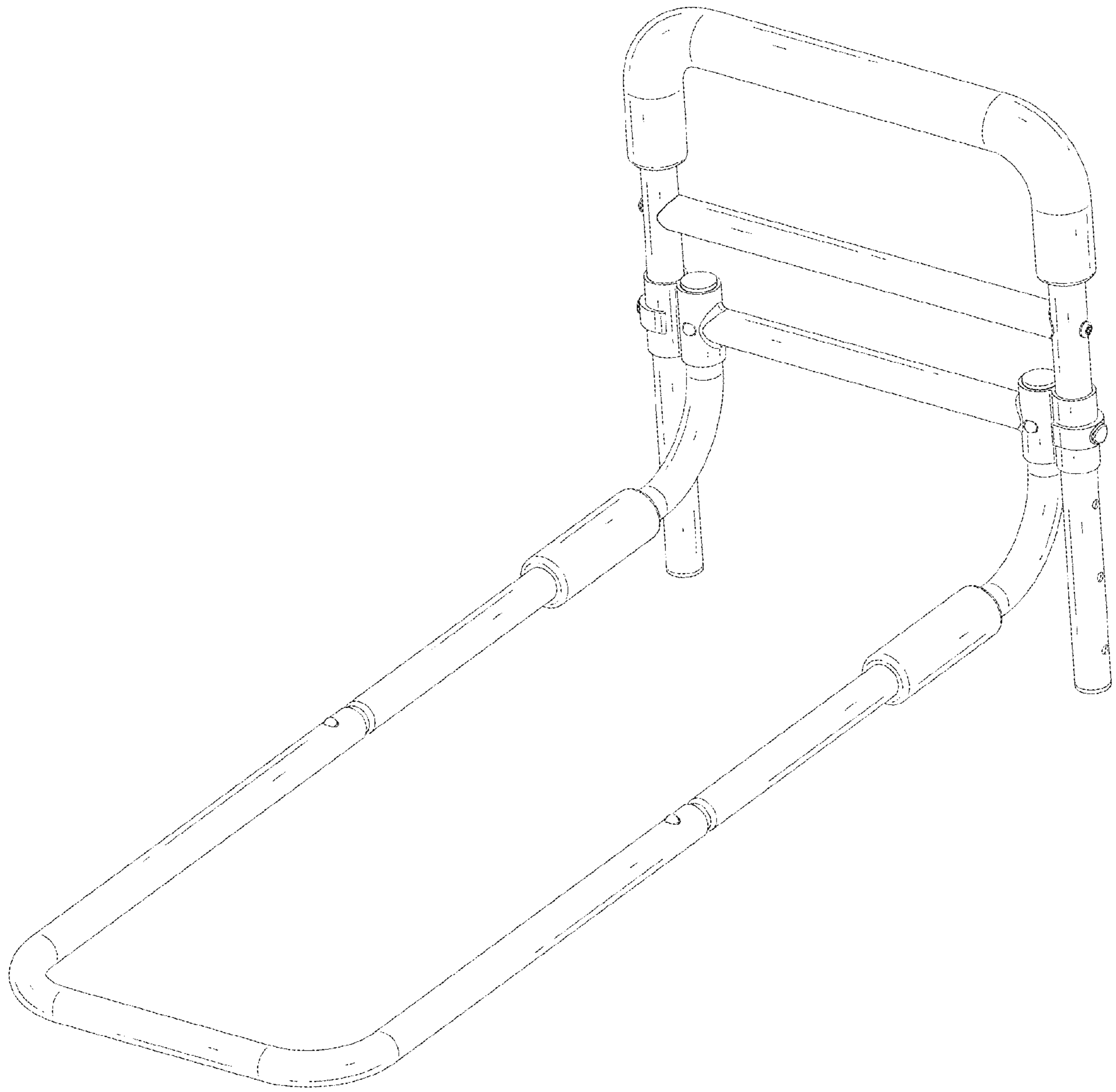


FIG. 9