



US00D906747S

(12) **United States Design Patent**
Pocci et al.

(10) **Patent No.:** **US D906,747 S**
(45) **Date of Patent:** **** Jan. 5, 2021**

(54) **TABLE BASE**

D872,926 S * 1/2020 Adams D26/118
D874,713 S * 2/2020 Adams D26/118
D883,724 S * 5/2020 Wong D6/692.5

(71) Applicant: **B 4 LIVING SPA**, Camerano (IT)

(72) Inventors: **Marco Pocci**, Colle Val d'Elsa (IT);
Claudio Dondoli, Colle Val d'Elsa (IT)

(**) Term: **15 Years**

(21) Appl. No.: **29/703,520**

(22) Filed: **Aug. 28, 2019**

(30) **Foreign Application Priority Data**

Feb. 28, 2019 (IT) 402019000000379

(51) **LOC (13) Cl.** **06-06**

(52) **U.S. Cl.**
USPC **D6/708.2**

(58) **Field of Classification Search**
USPC D6/691, 692, 702, 708, 708.2, 709
CPC A47B 7/00; A47B 13/00; A47B 13/12;
A47B 2200/002

See application file for complete search history.

(56) **References Cited**

U.S. PATENT DOCUMENTS

D221,781 S * 9/1971 Caigan D6/691
D225,711 S * 1/1973 Duern et al. D6/690
D309,993 S * 8/1990 Miklos D26/110
D321,297 S * 11/1991 Winzeler, III D6/708
D837,581 S * 1/2019 Velez D6/708.16

OTHER PUBLICATIONS

Gold Square Cutouts Mirrored End Table—Decropad.com <https://www.decorpad.com/bookmark.htm?bookmarkId=47030> retrieved from the internet on Sep. 26, 2020*

* cited by examiner

Primary Examiner — Mary Ann Calabrese

(74) *Attorney, Agent, or Firm* — Egbert Law Offices, PLLC

(57) **CLAIM**

The ornamental design for a table base, as shown and described.

DESCRIPTION

FIG. 1 is a perspective view of a table base showing our new design.

FIG. 2 is a front view thereof;

FIG. 3 is a rear view thereof;

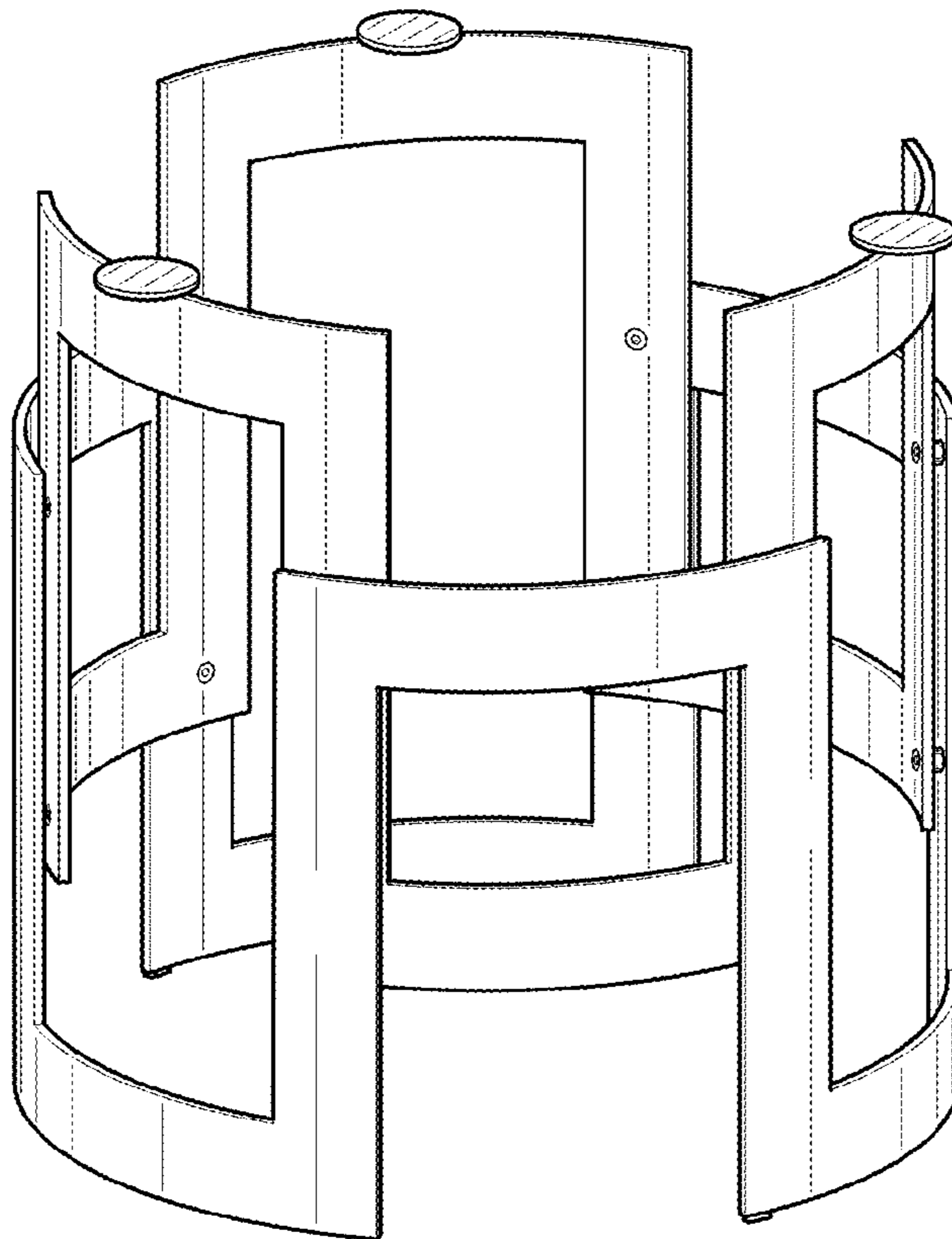
FIG. 4 is a side view thereof;

FIG. 5 is an opposite side view thereof;

FIG. 6 is a top view thereof; and,

FIG. 7 is a bottom view thereof.

1 Claim, 3 Drawing Sheets



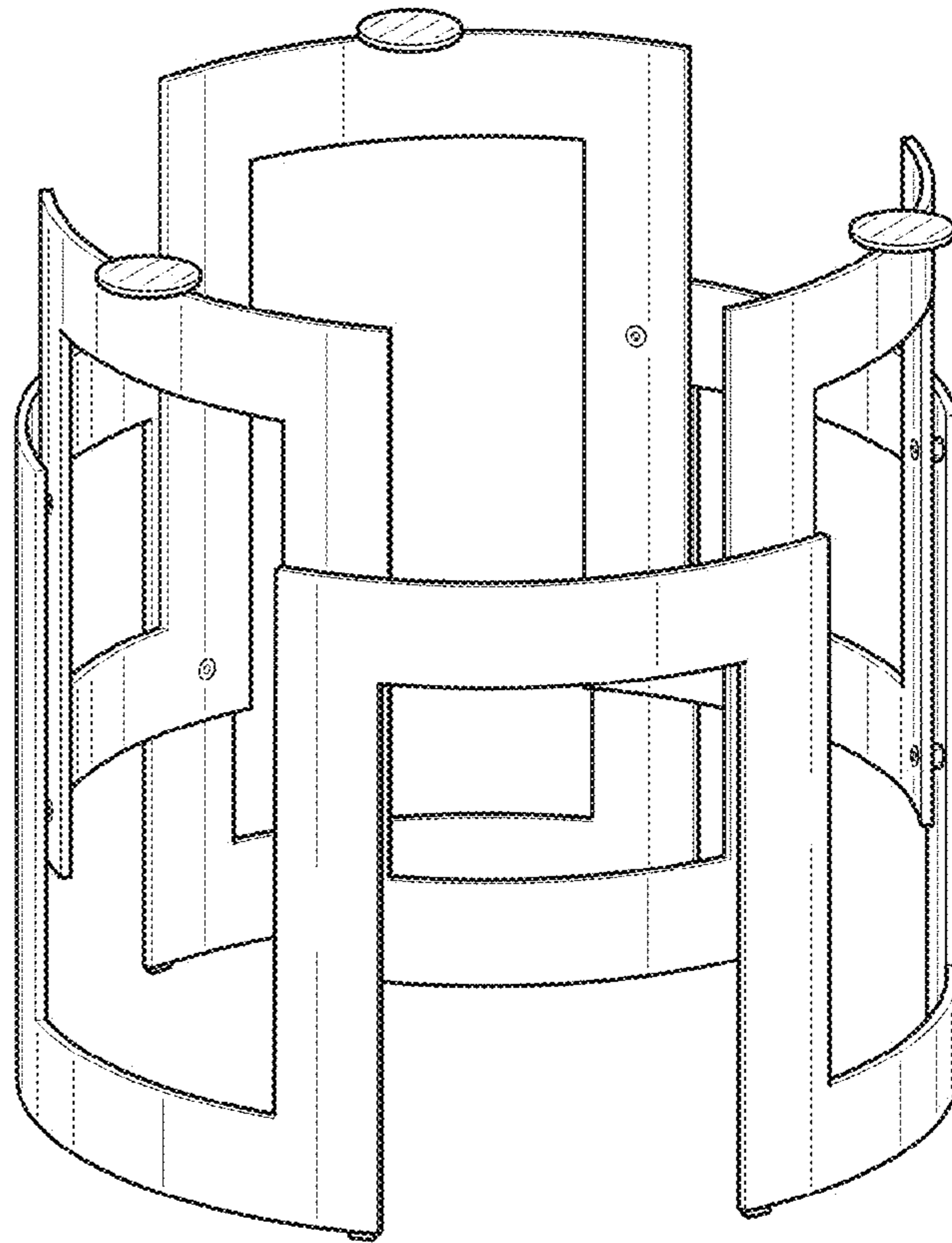


FIG. 1

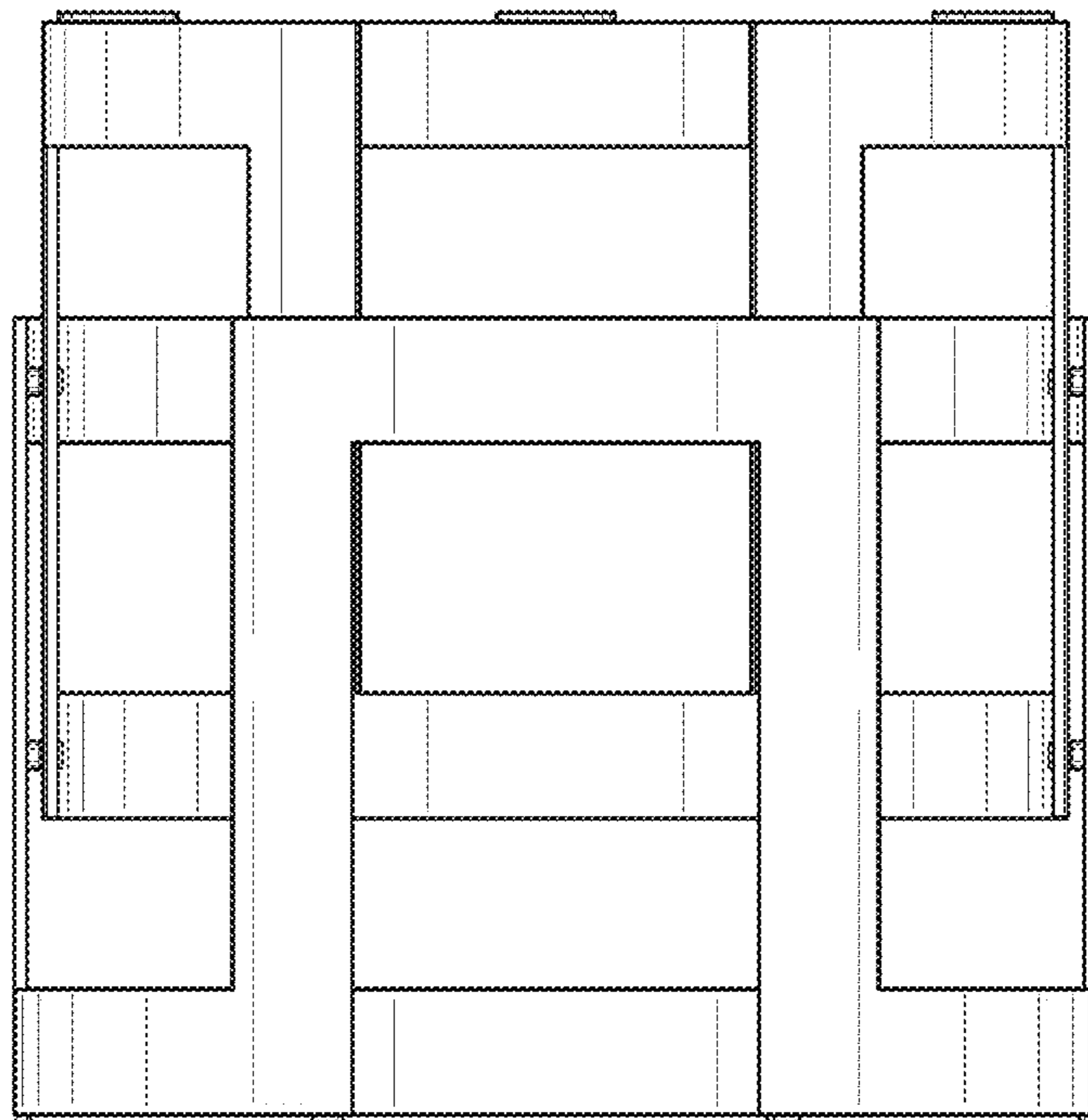


FIG. 2

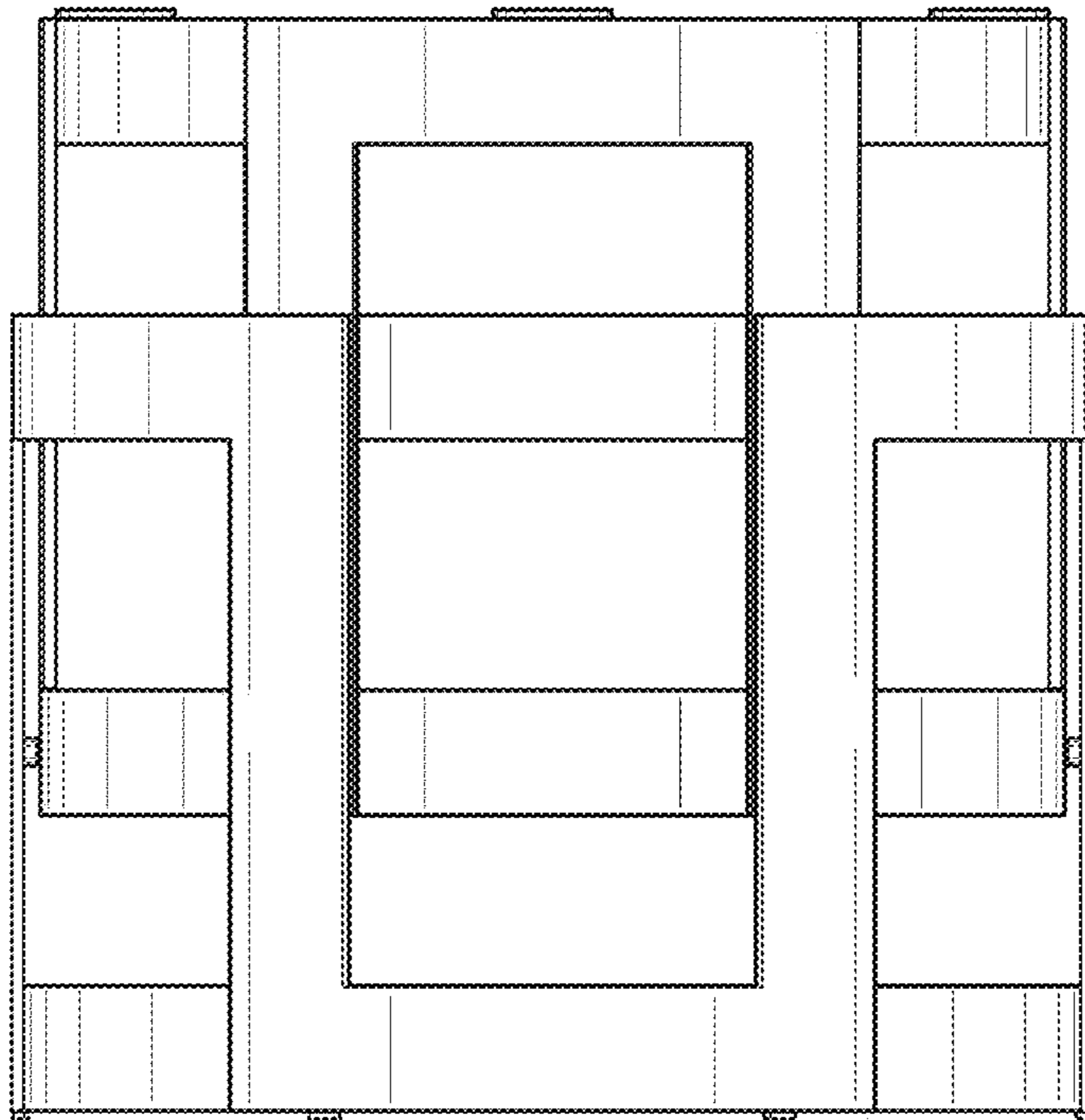


FIG. 3

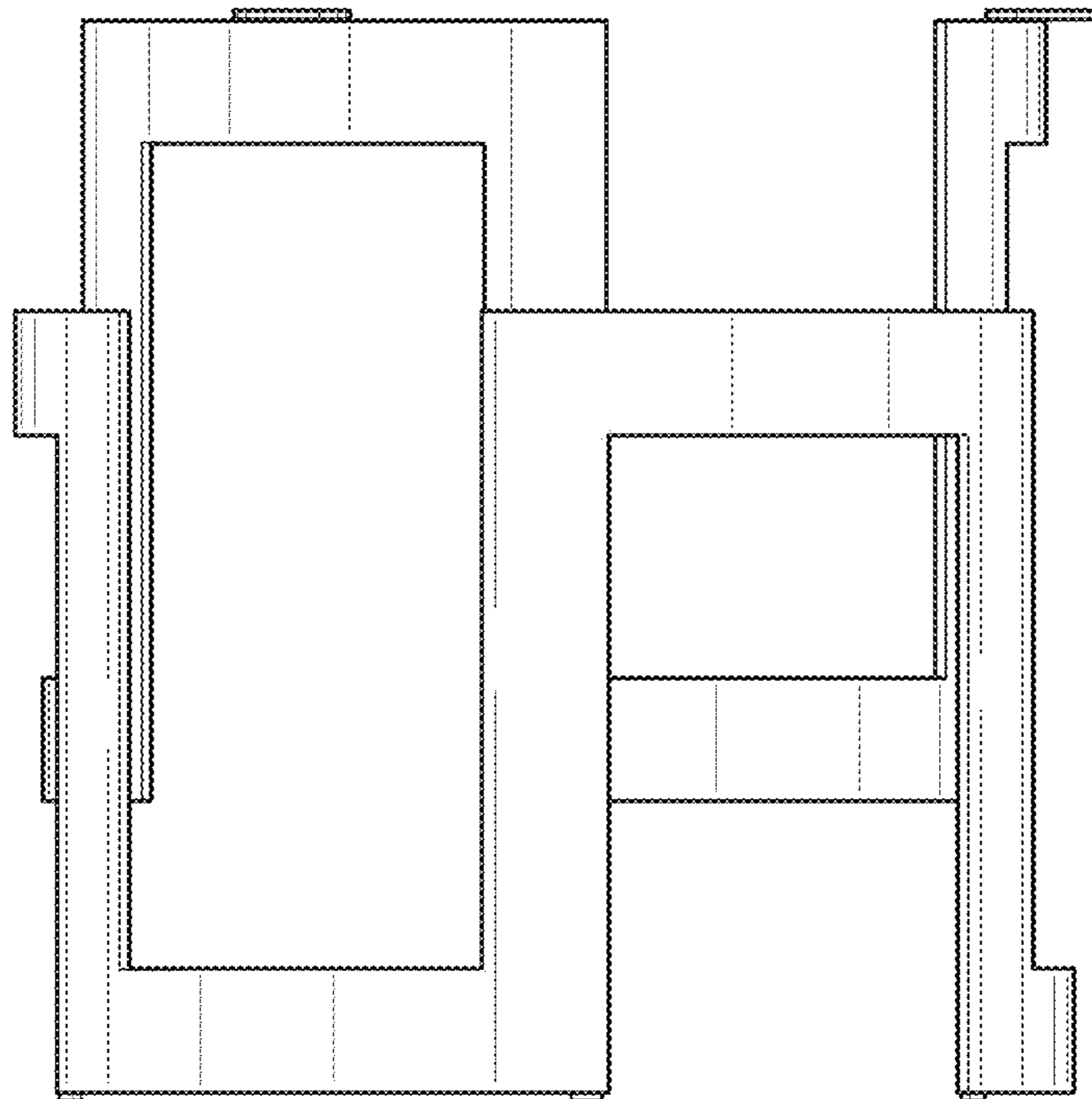


FIG. 4

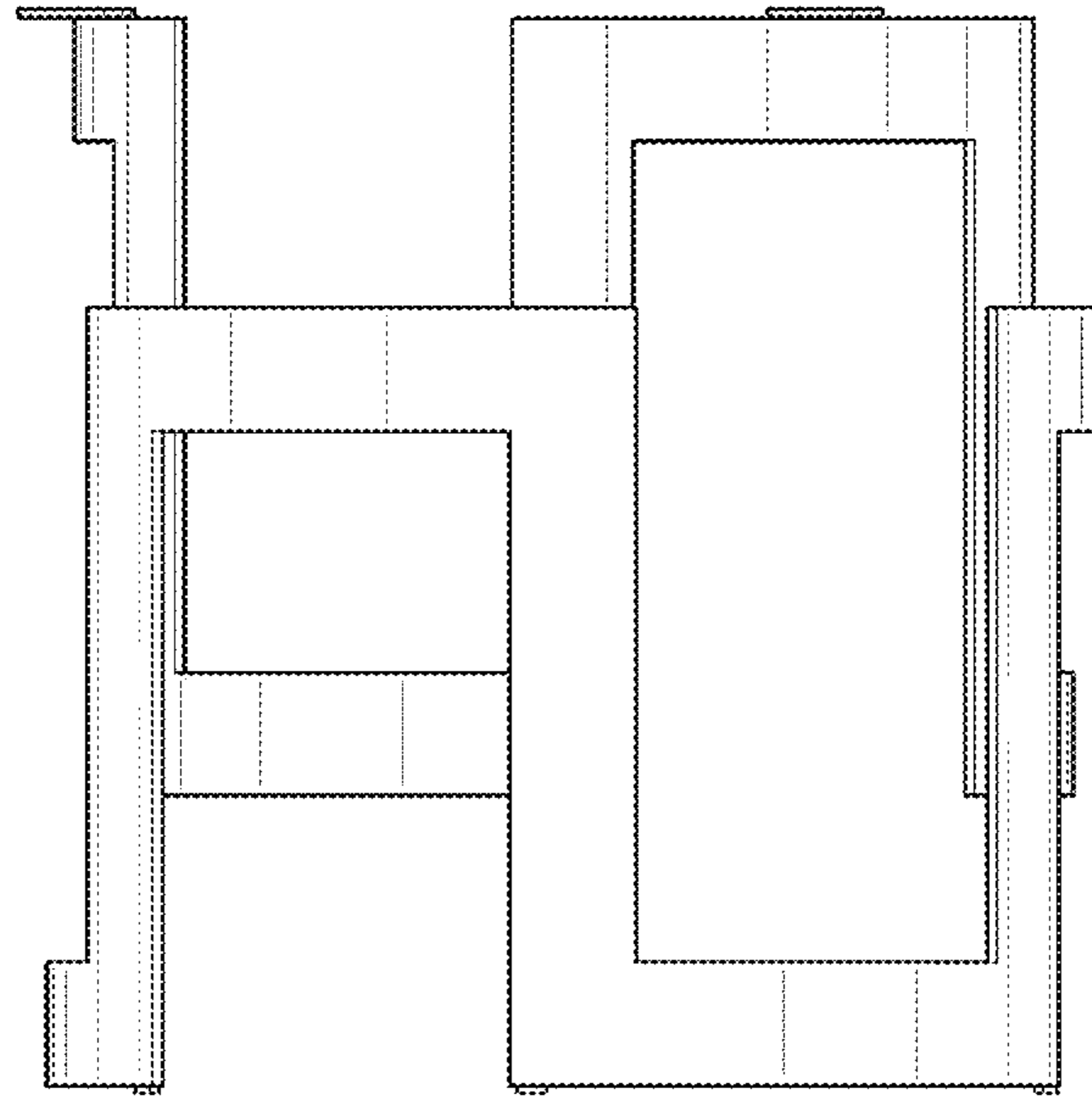


FIG. 5

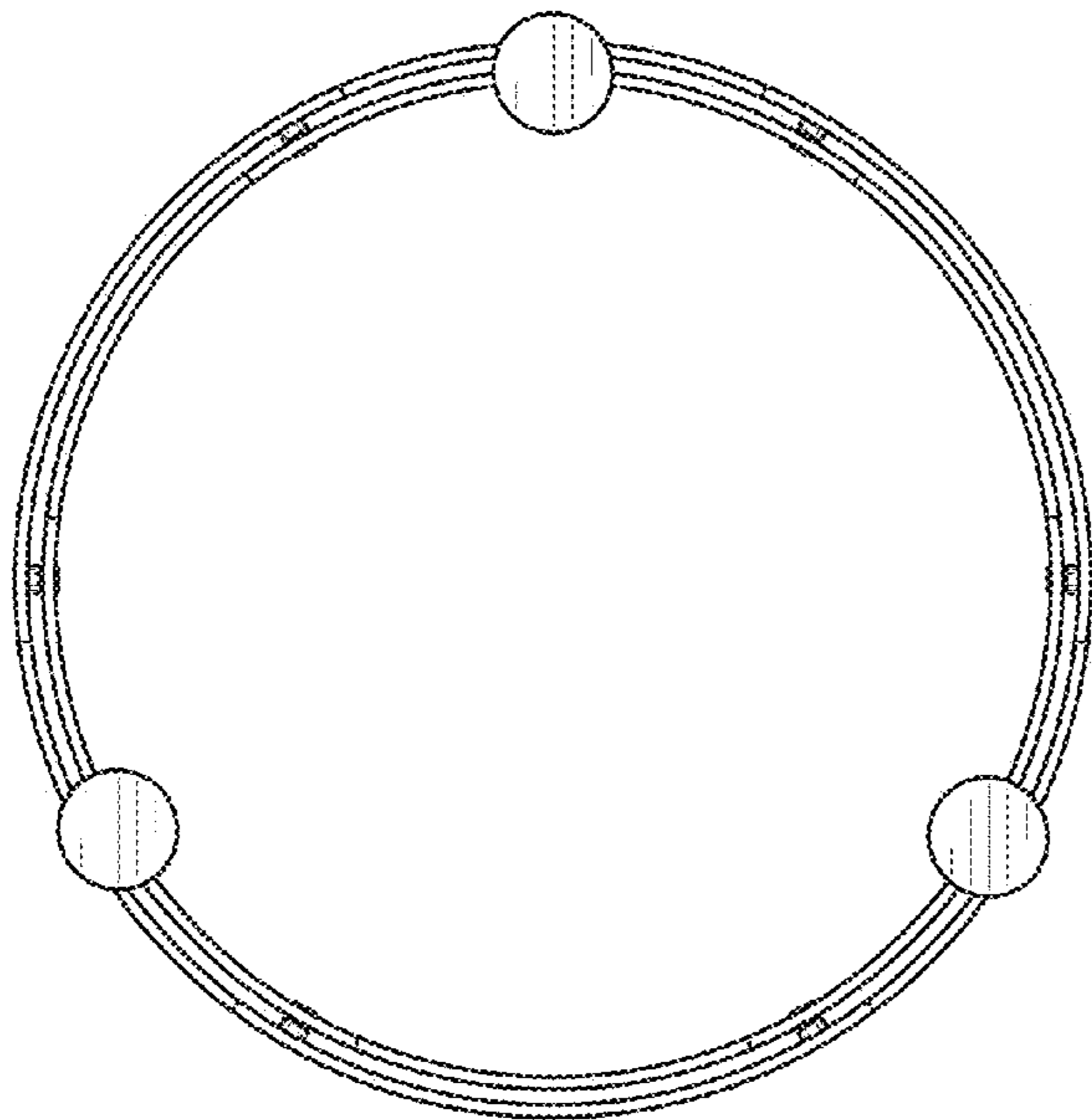


FIG. 6

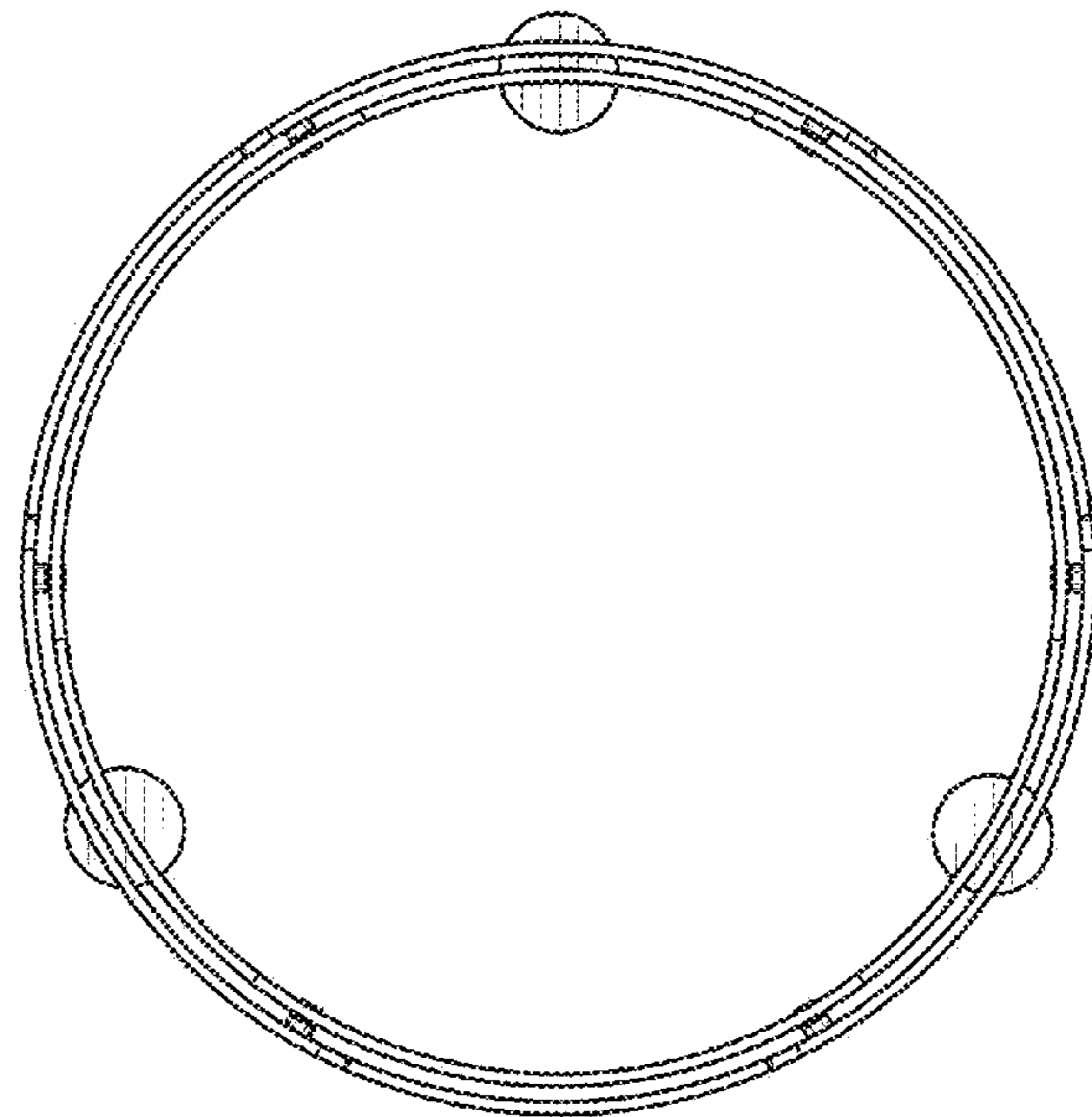


FIG. 7