



US00D906746S

(12) **United States Design Patent**  
**Dreyfus, Sr.**

(10) **Patent No.:** **US D906,746 S**  
(45) **Date of Patent:** **\*\* Jan. 5, 2021**

- (54) **MOTOR ELEMENT TABLE BASE**
- (71) Applicant: **Randall Dreyfus, Sr.**, New York, NY  
(US)
- (72) Inventor: **Randall Dreyfus, Sr.**, New York, NY  
(US)
- (\*\*) Term: **15 Years**
- (21) Appl. No.: **29/672,996**
- (22) Filed: **Dec. 11, 2018**
- (51) **LOC (13) Cl.** ..... **06-06**
- (52) **U.S. Cl.**  
USPC ..... **D6/708.1**; D6/691.6; D6/691.7; D6/688
- (58) **Field of Classification Search**  
USPC ..... D6/337, 685, 688, 688.1, 688.16, 691,  
D6/691.2, 691.6, 691.7, 694.1, 702, 708,  
D6/708.1, 708.16, 709.2; D8/349, 354;  
D15/1, 3, 5, 7  
CPC . A47B 13/00; A47B 13/003; A47B 2013/006;  
A47B 13/02; A47B 13/021; A47B  
2013/022; A47B 13/06; A47B 13/12  
See application file for complete search history.

(56) **References Cited**

U.S. PATENT DOCUMENTS

D109,503 S *	5/1938	Schaffer .....	D6/691.6
D277,442 S *	2/1985	Crowell .....	D6/337
D293,400 S *	12/1987	Stewart .....	D6/691
D306,109 S *	2/1990	Borsani .....	D6/691.7
D333,012 S *	2/1993	Fleming .....	D26/138
D385,731 S *	11/1997	Yurk .....	D6/708.16
D394,563 S *	5/1998	Cambra .....	D6/688
D417,803 S *	12/1999	Shilling .....	D6/709.2
D454,436 S *	3/2002	Shilling .....	D6/337
D466,726 S *	12/2002	Heil .....	D6/688

D621,629 S *	8/2010	Weimer .....	D6/337
D655,950 S *	3/2012	Kvello .....	D6/691.7
D738,654 S *	9/2015	Xiong .....	D6/708.16

(Continued)

OTHER PUBLICATIONS

“ExoQuanta Designs, LLC.—The V8 Coffee Table.” Found online Apr. 30, 2020 at sites.google.com. No Verifiable Date. Retrieved from URL: <https://sites.google.com/view/exoquanta-designs/see-the-models/the-v8-coffee-table> (Year: 2020).\*

(Continued)

*Primary Examiner* — Mary Ann Calabrese

*Assistant Examiner* — Katelin G Kloberg

(74) *Attorney, Agent, or Firm* — Andrew S. Langsam, Esq.; Pryor Cashman LLP

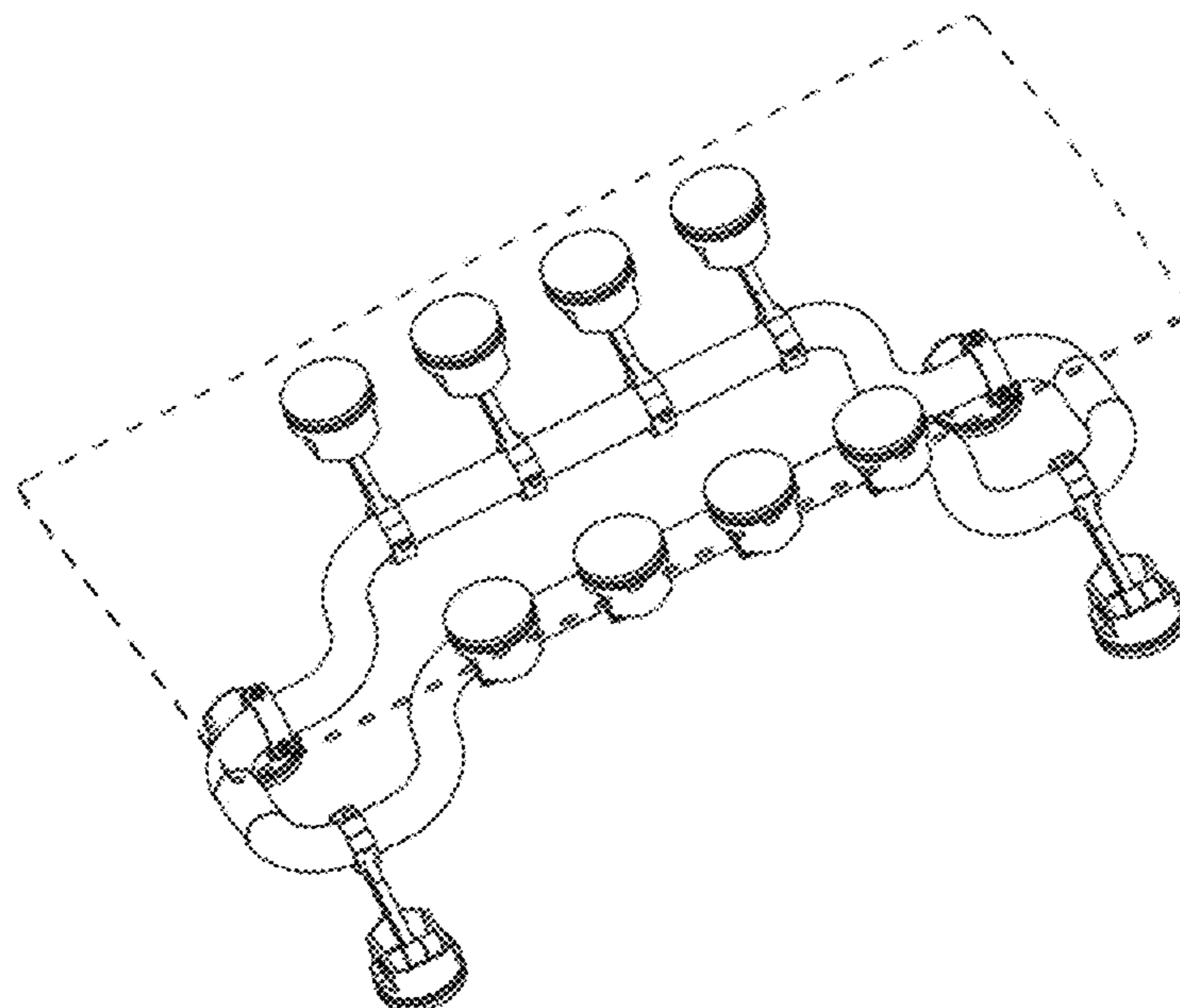
(57) **CLAIM**

The ornamental design for a motor element table base, as shown and described.

**DESCRIPTION**

FIG. 1 is a top perspective view of a motor element table base;  
 FIG. 2 is a side perspective view of a motor element table base;  
 FIG. 3 is a front elevation view of a motor element table base;  
 FIG. 4 is a left side elevation view of a motor element table base;  
 FIG. 5 is a right elevation view of a motor element table base;  
 FIG. 6 is a back elevation view of a motor element table base;  
 FIG. 7 is a top plan view of a motor element table base; and,  
 FIG. 8 is a bottom plan view of a motor element table base.  
 The broken lines showing a table top depict environmental subject matter that form no part of the claimed design.

**1 Claim, 8 Drawing Sheets**



(56)

**References Cited**

U.S. PATENT DOCUMENTS

D768,207 S \* 10/2016 Riffe ..... D15/5  
D795,677 S \* 8/2017 Kelley ..... D8/349  
D821,130 S \* 6/2018 Yang ..... D6/708.16  
D844,355 S \* 4/2019 Yang ..... D6/708.16  
D880,916 S \* 4/2020 Kattani ..... D6/708.16

OTHER PUBLICATIONS

“Automotive Inspired Coffee Table.” Found online Apr. 30, 2020 at [www.picclick.com](http://www.picclick.com). Page dated Nov. 6, 2019. Retrieved from URL: <https://picclick.com/Automotive-inspired-coffee-table-Real-engine-pistons-153376272875.html> (Year: 2019).\*

“Piston End Table.” Found online Apr. 30, 2020 at [www.etsy.com](http://www.etsy.com). Product reviewed Nov. 11, 2018. Retrieved from URL: <https://tinyurl.com/yb3oz8xx> (Year: 2018).\*

“Piston Table.” Found online Apr. 30, 2020 at [www.silodrome.com](http://www.silodrome.com). Page dated Nov. 5, 2015. Retrieved from URL: <https://silodrome.com/piston-coffee-table/> (Year: 2015).\*

\* cited by examiner

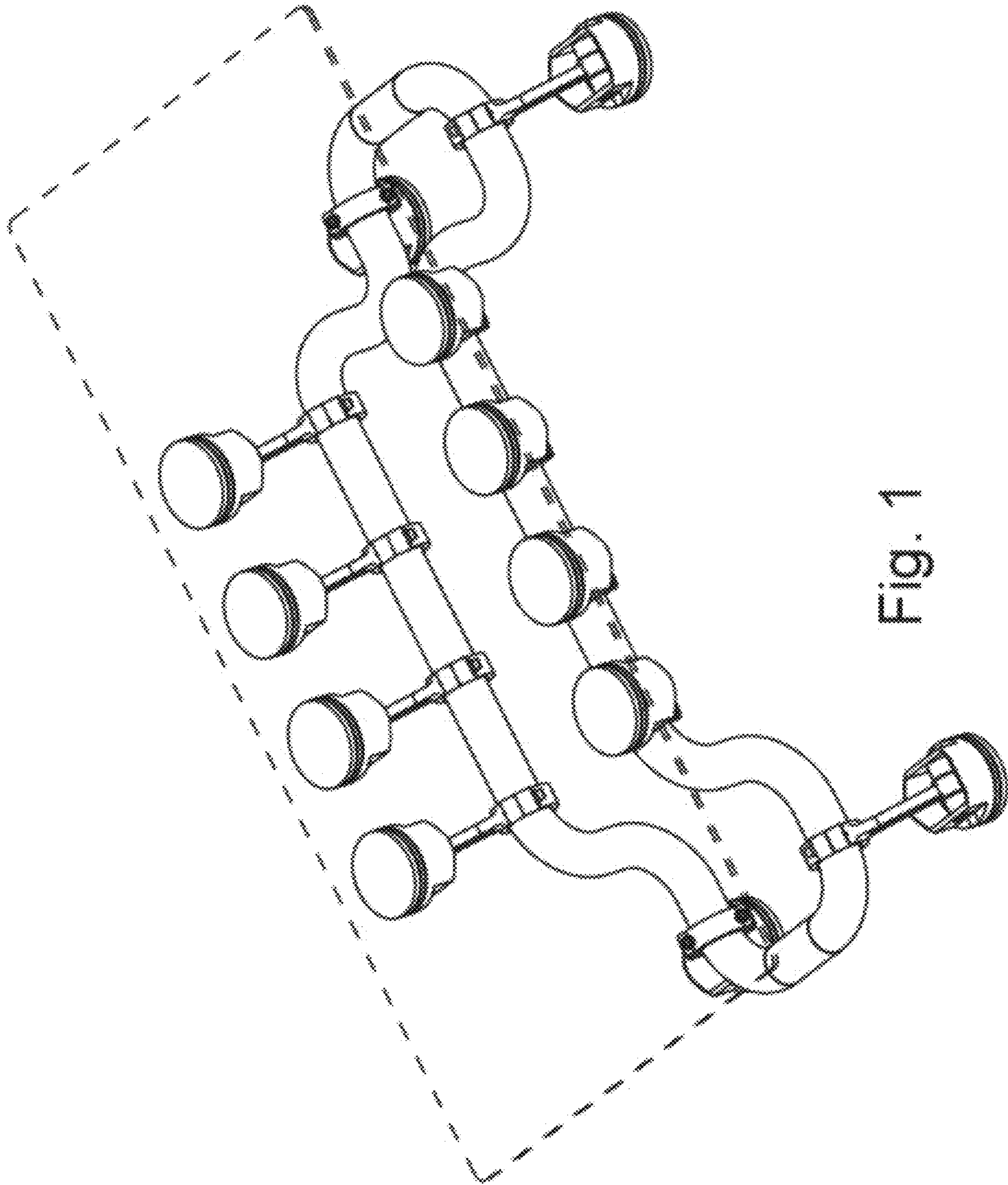


Fig. 1

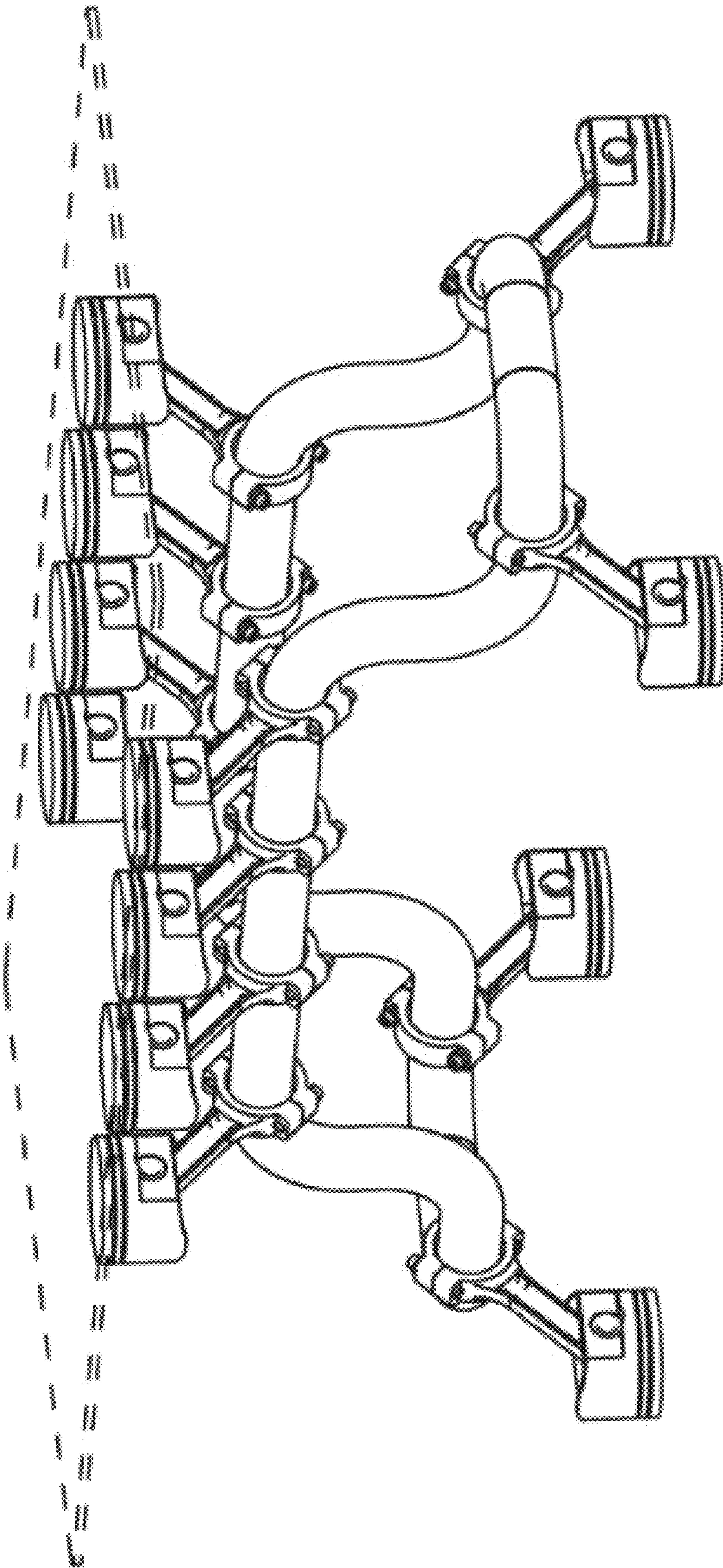


Fig. 2

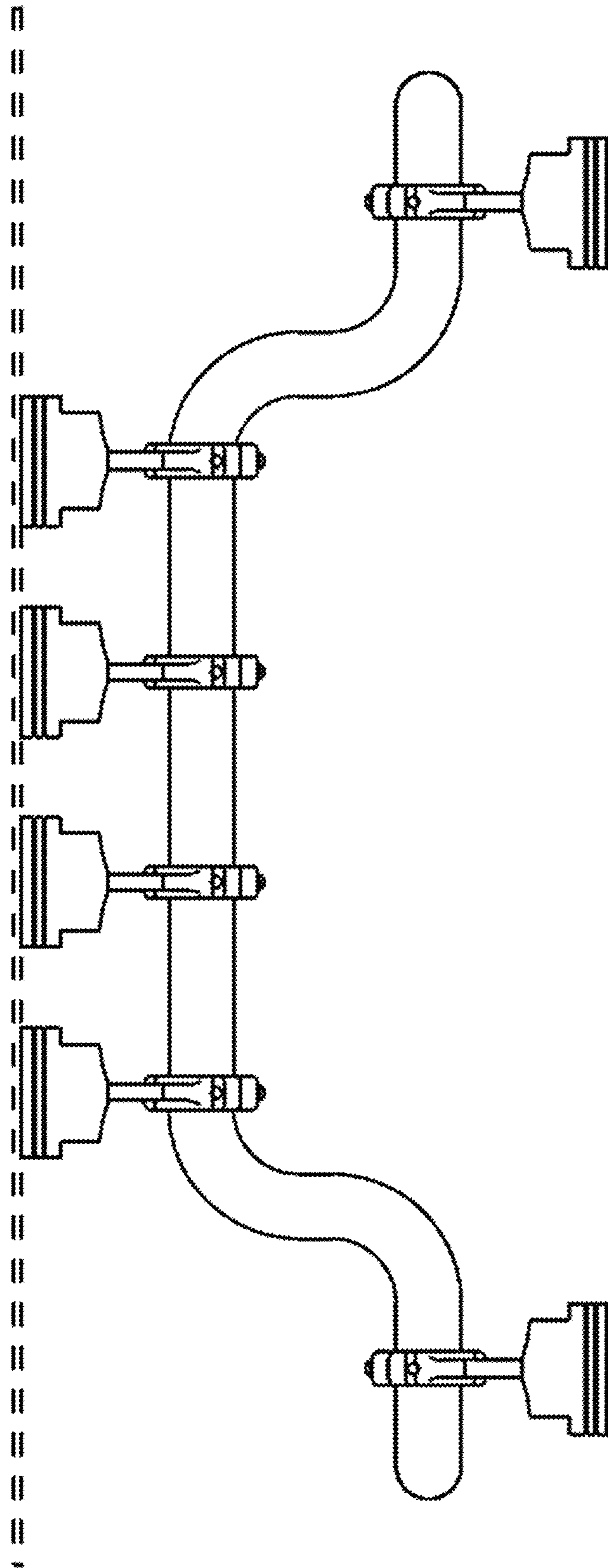


Fig. 3

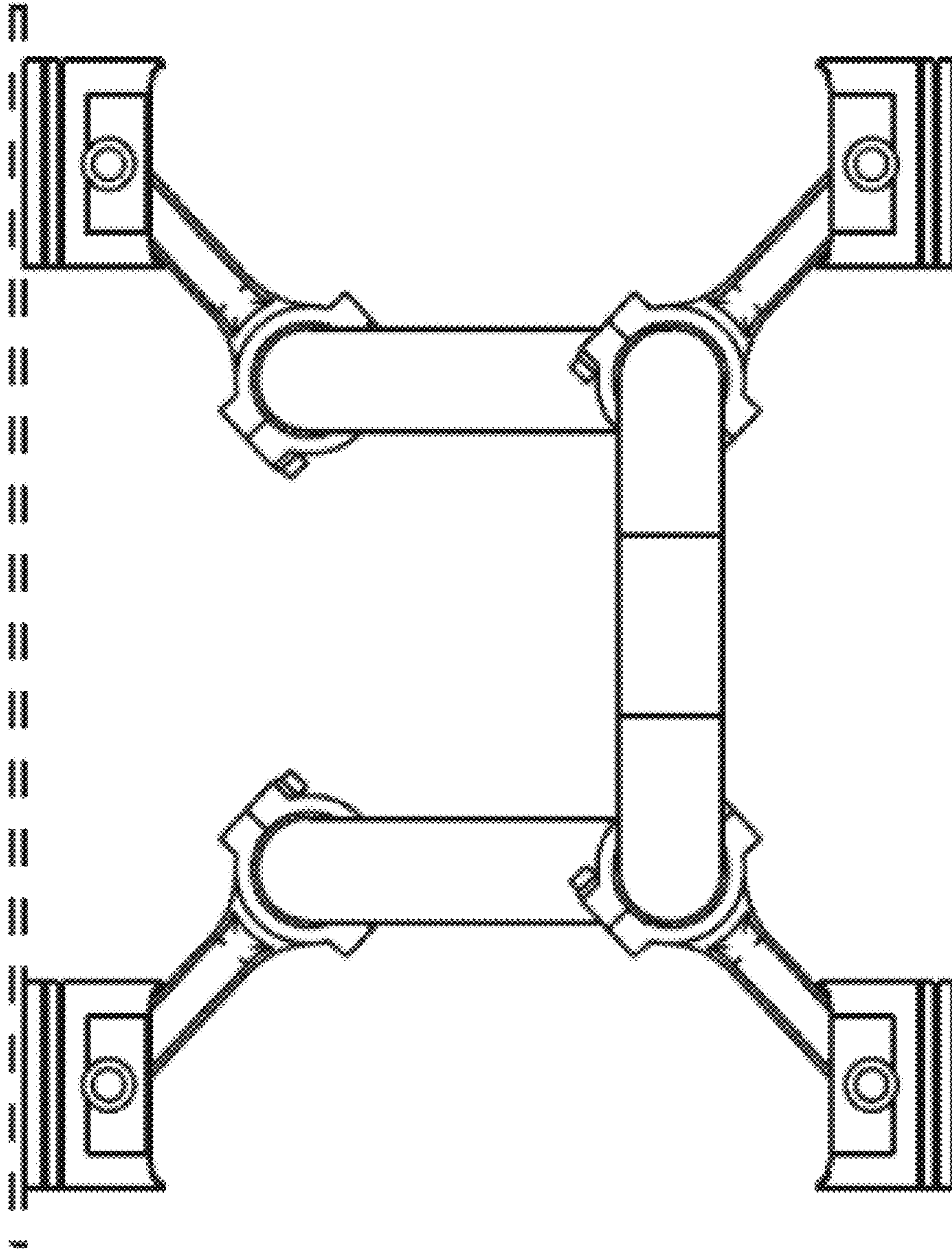


Fig. 4

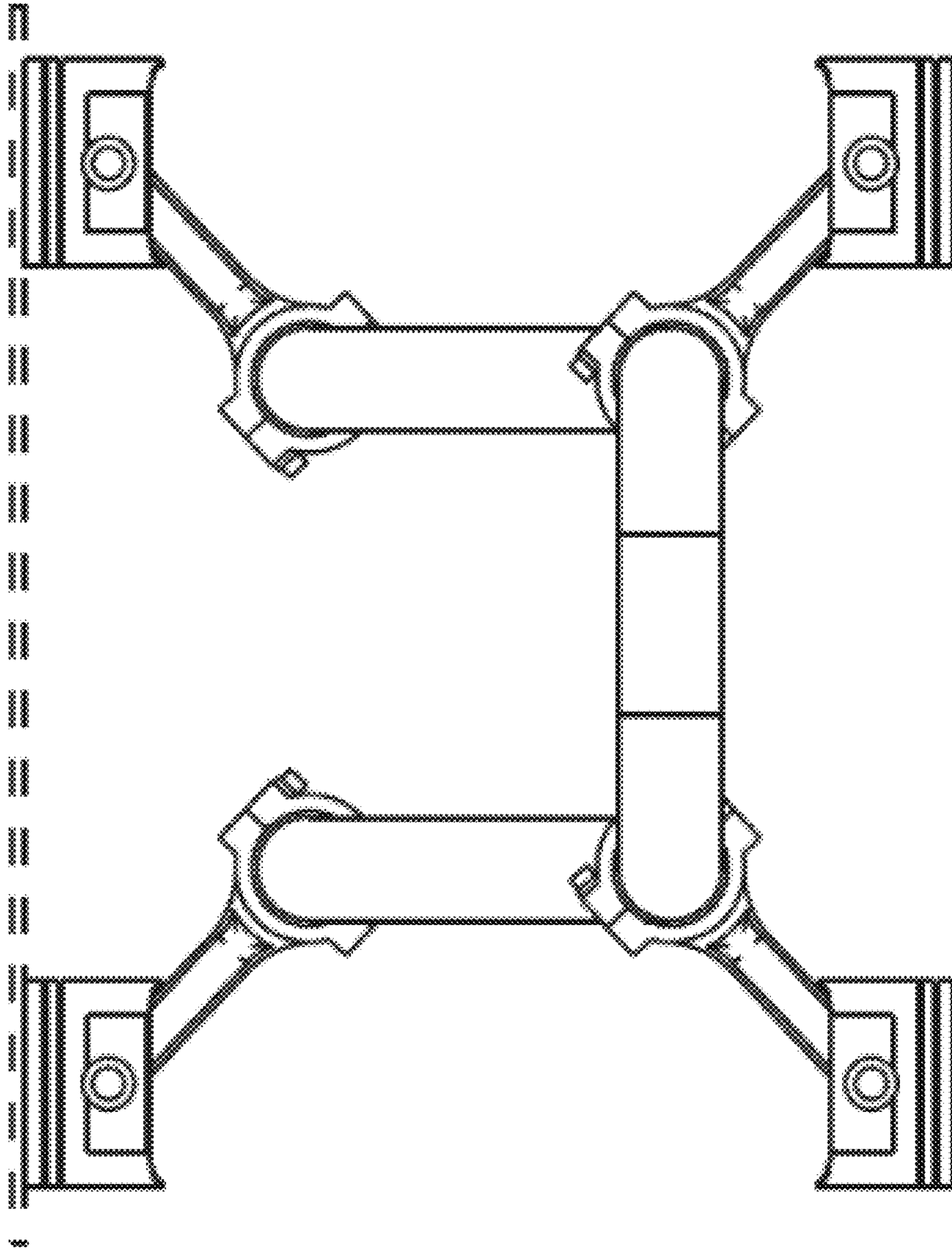


Fig. 5

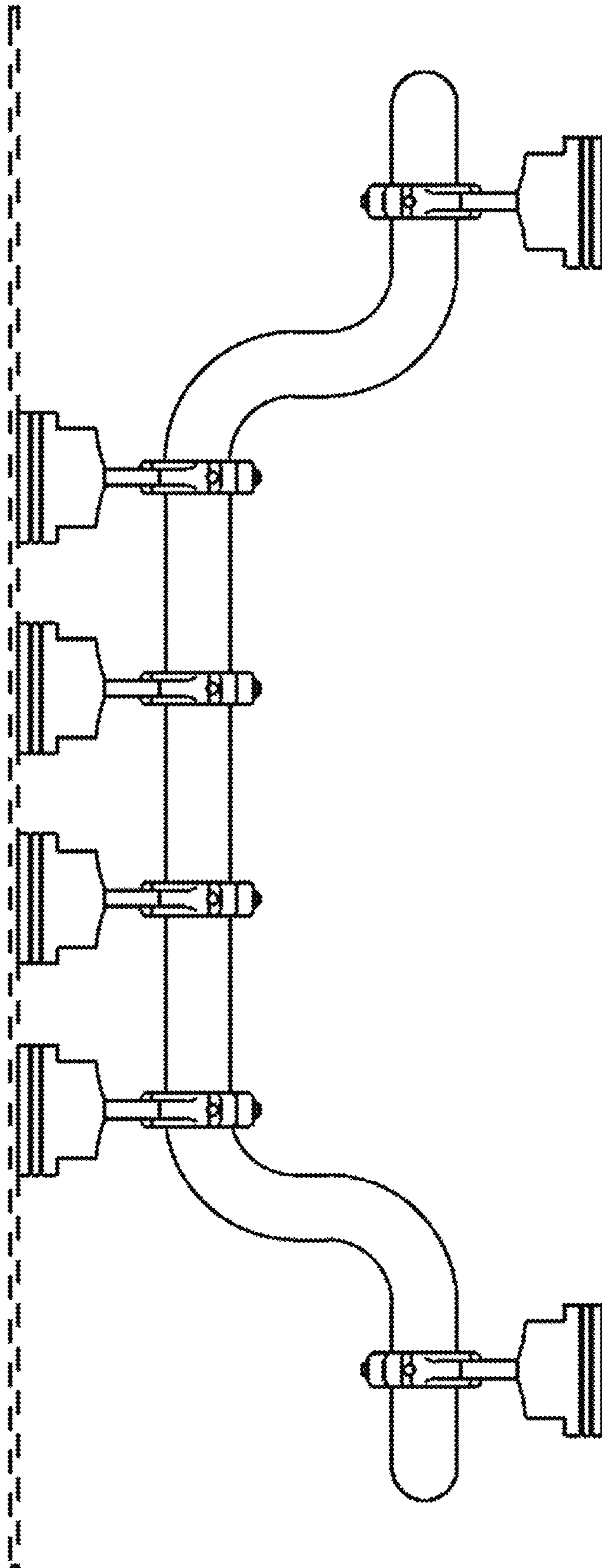


Fig. 6



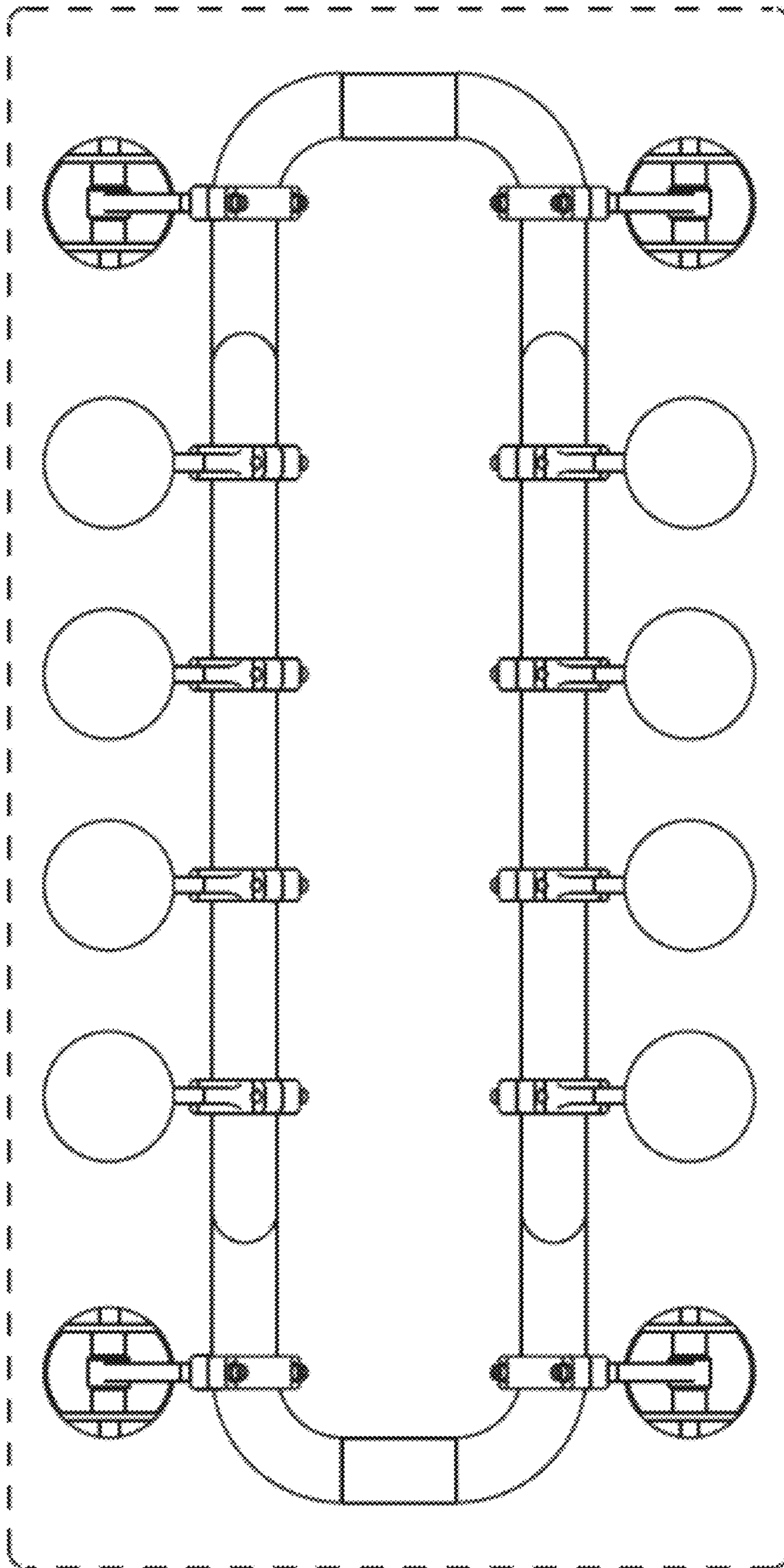


Fig. 7

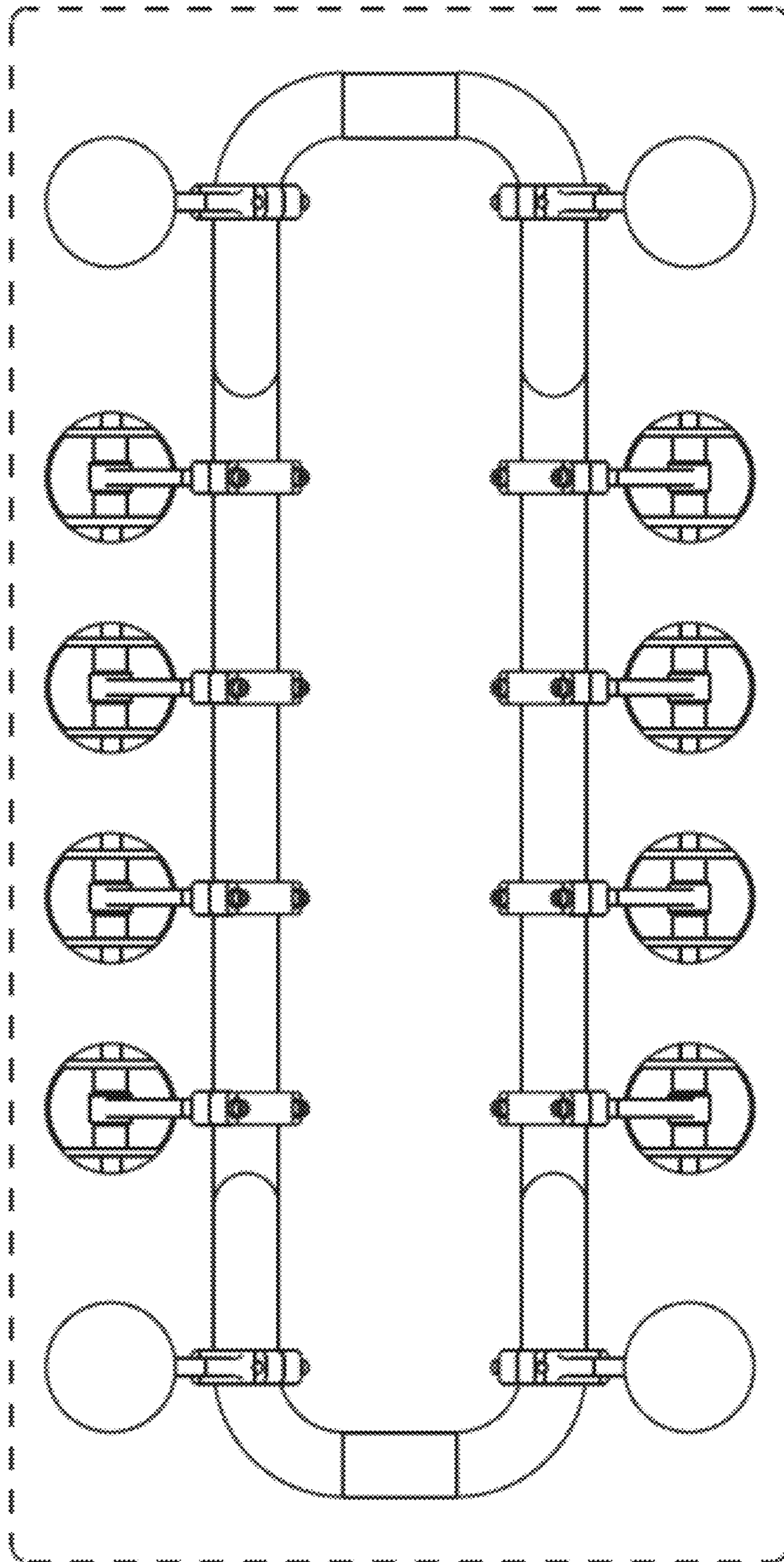


Fig. 8