



US00D906742S

(12) **United States Design Patent**  
**Dai**

(10) **Patent No.:** **US D906,742 S**  
(45) **Date of Patent:** **\*\* Jan. 5, 2021**

(54) **FOLDABLE TABLE**

**DESCRIPTION**

(71) Applicant: **Shanghai Benxu Precision Mold Co., Ltd.**, Shanghai (CN)

(72) Inventor: **Xuguang Dai**, Shanghai (CN)

(73) Assignee: **Shanghai Benxu Precision Mold Co., Ltd.**, Shanghai (CN)

(\*\*) Term: **15 Years**

(21) Appl. No.: **29/746,028**

(22) Filed: **Aug. 11, 2020**

(30) **Foreign Application Priority Data**

May 13, 2020 (CN) ..... 2020 3 0217027

(51) **LOC (13) Cl.** ..... **06-03**

(52) **U.S. Cl.**  
USPC ..... **D6/686; D6/689; D6/691.3; D6/691.4; D6/692.3**

(58) **Field of Classification Search**

USPC ..... D6/349, 353, 685, 686, 689, 690, 691, D6/691.1-691.9, 692, 692.1-692.6  
(Continued)

(56) **References Cited**

**U.S. PATENT DOCUMENTS**

1,917,526 A \* 7/1933 Kanclerz ..... A47B 3/00  
108/167  
3,715,996 A \* 2/1973 Rolfshus ..... A47B 3/10  
297/311

(Continued)

*Primary Examiner* — Mary Ann Calabrese

(74) *Attorney, Agent, or Firm* — ScienBiziP, P.C.

(57) **CLAIM**

The ornamental design for a foldable table, as shown and described.

FIG. 1 is a front perspective view of a foldable table, showing my design.

FIG. 2 is a rear perspective view of the foldable table of FIG. 1.

FIG. 3 is a front elevation view of the foldable table of FIG. 1.

FIG. 4 is a rear elevation view of the foldable table of FIG. 1.

FIG. 5 is a left side elevation view of the foldable table of FIG. 1.

FIG. 6 is a right side elevation view of the foldable table of FIG. 1.

FIG. 7 is a top plan view of the foldable table of FIG. 1.

FIG. 8 is a bottom plan view of the foldable table of FIG. 1.

FIG. 9 a perspective view of the foldable table in FIG. 1 folded up.

FIG. 10 is an enlarged view of an area labeled 10 in FIG. 1.

FIG. 11 is an enlarged view of an area labeled 11 in FIG. 1.

FIG. 12 is a front perspective view of an alternate embodiment of a foldable table.

FIG. 13 is a rear perspective view of the foldable table of FIG. 12.

FIG. 14 is a front elevation view of the foldable table of FIG. 12.

FIG. 15 is a rear elevation view of the foldable table of FIG. 12.

FIG. 16 is a left side elevation view of the foldable table of FIG. 12.

FIG. 17 is a right side elevation view of the foldable table of FIG. 12.

FIG. 18 is a top plan view of the foldable table of FIG. 12.

FIG. 19 is a bottom plan view of the foldable table of FIG. 12.

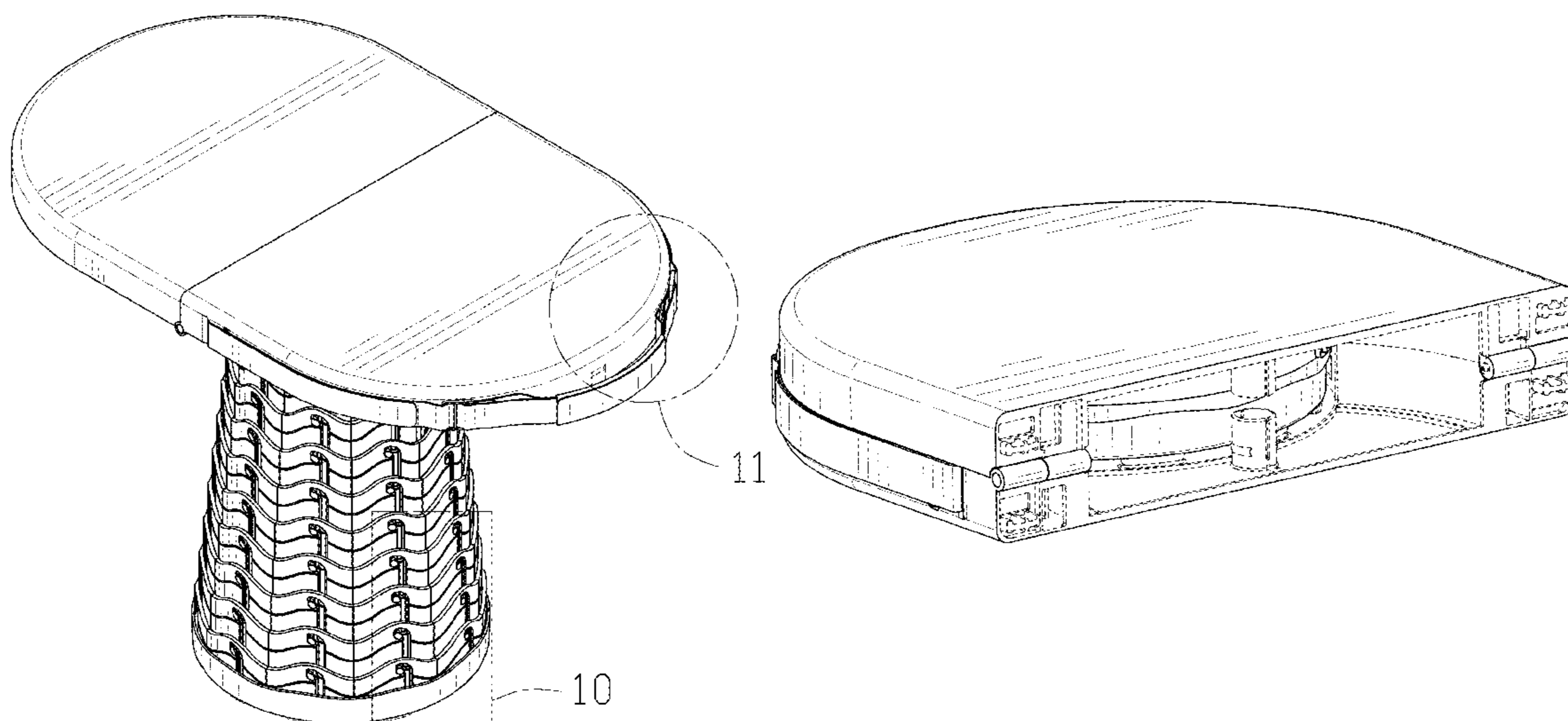
FIG. 20 a perspective view of the foldable table in FIG. 12 folded up.

FIG. 21 is an enlarged view of an area labeled 10 in FIG. 12; and,

FIG. 22 is an enlarged view of an area labeled 11 in FIG. 12.

The broken lines in the drawings depict environmental structure and boundaries and form no part of the claimed design.

**1 Claim, 22 Drawing Sheets**



(58) **Field of Classification Search**

CPC .... A47C 4/04; A47B 3/00; A47B 3/06; A47B  
3/083; A47B 3/10; A47B 7/00; A47B  
13/00; A47B 13/003; A47B 13/02; A47B  
13/03; A47B 13/04; A47B 13/06; A47B  
13/12; A47B 2013/024; A47B 21/00;  
A47B 2200/0001; A47B 2200/0011;  
A47B 2200/002; A47B 2200/0021

See application file for complete search history.

(56) **References Cited**

U.S. PATENT DOCUMENTS

6,925,944 B1 \* 8/2005 Miller ..... A47B 3/00  
108/115  
D602,714 S \* 10/2009 Marin ..... D6/691.4  
D646,913 S \* 10/2011 Navone ..... D6/691.4  
D653,049 S 1/2012 Goldszer  
D677,073 S \* 3/2013 Zak ..... D6/686  
D745,297 S \* 12/2015 Ye ..... D6/692.3  
D779,860 S 2/2017 Siao  
D873,042 S \* 1/2020 Dai ..... A47B 3/00  
D6/353  
D891,798 S \* 8/2020 Dai ..... A47B 3/00  
D6/353  
D899,117 S \* 10/2020 Dai ..... A47B 3/087  
D6/353  
2007/0028812 A1 \* 2/2007 Dumond ..... A47B 3/087  
108/36  
2019/0021484 A1 \* 1/2019 Leng ..... A47B 96/205  
2020/0015592 A1 \* 1/2020 Zaifman ..... A47C 3/40

\* cited by examiner

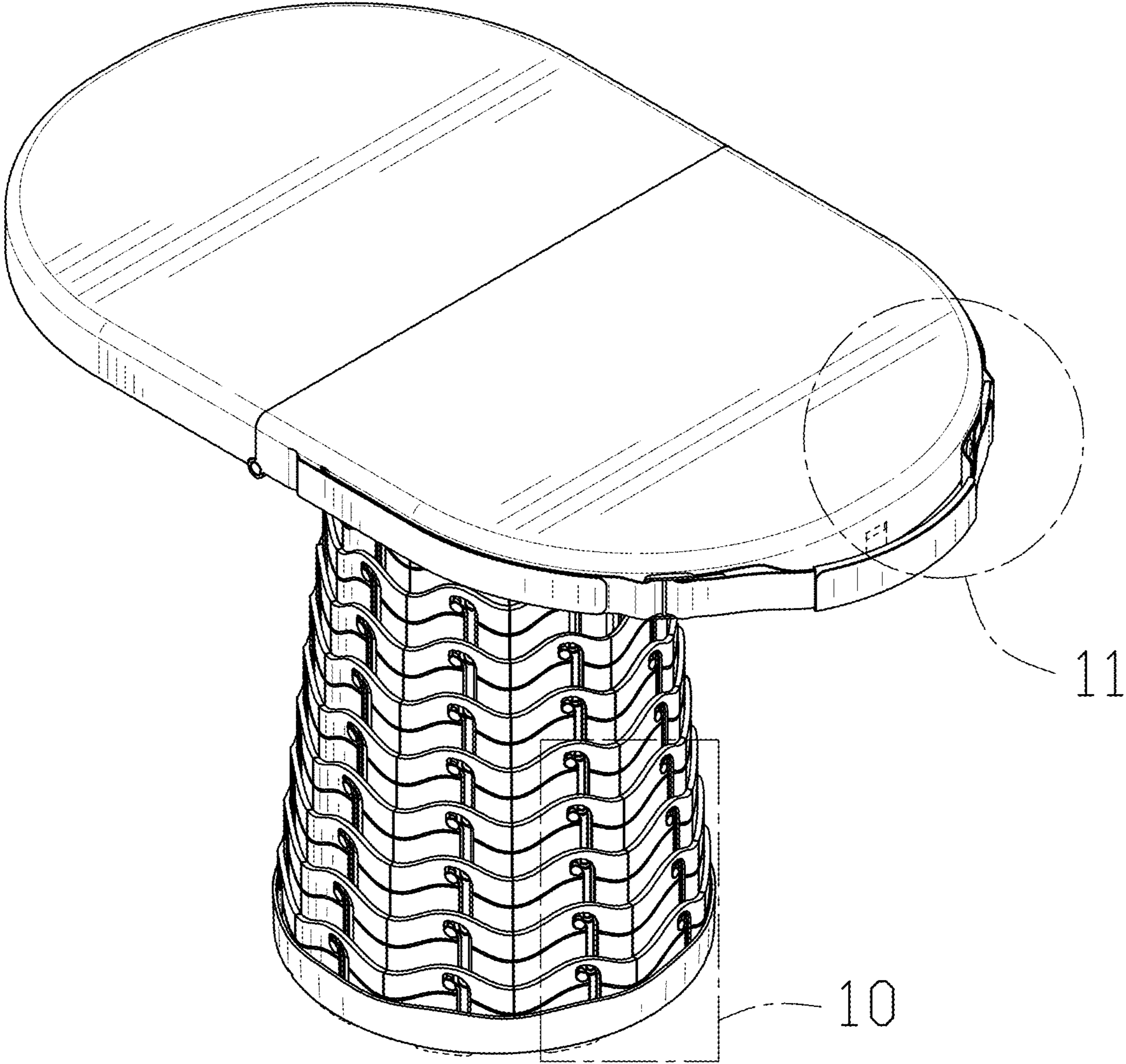


FIG. 1

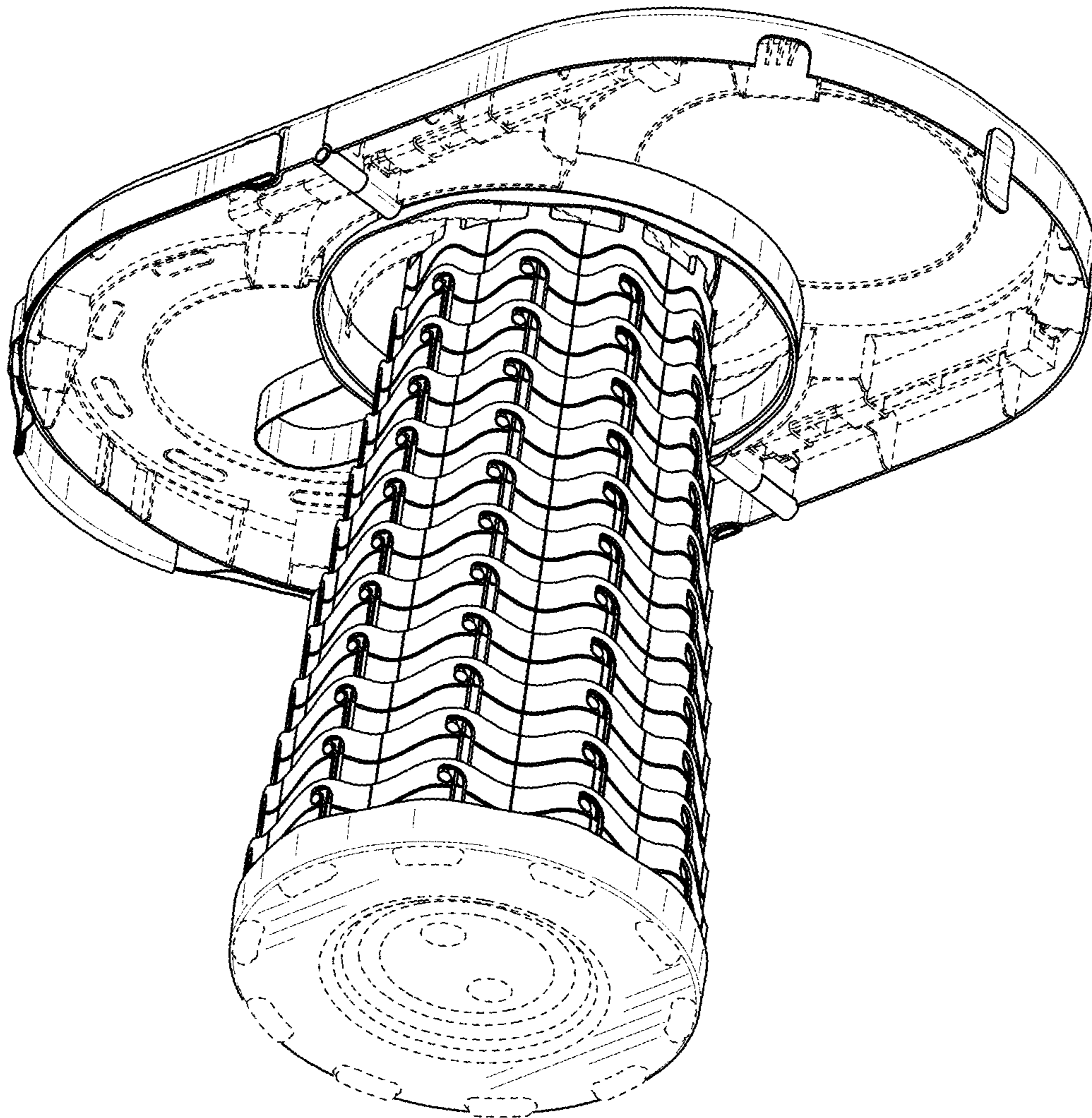


FIG. 2

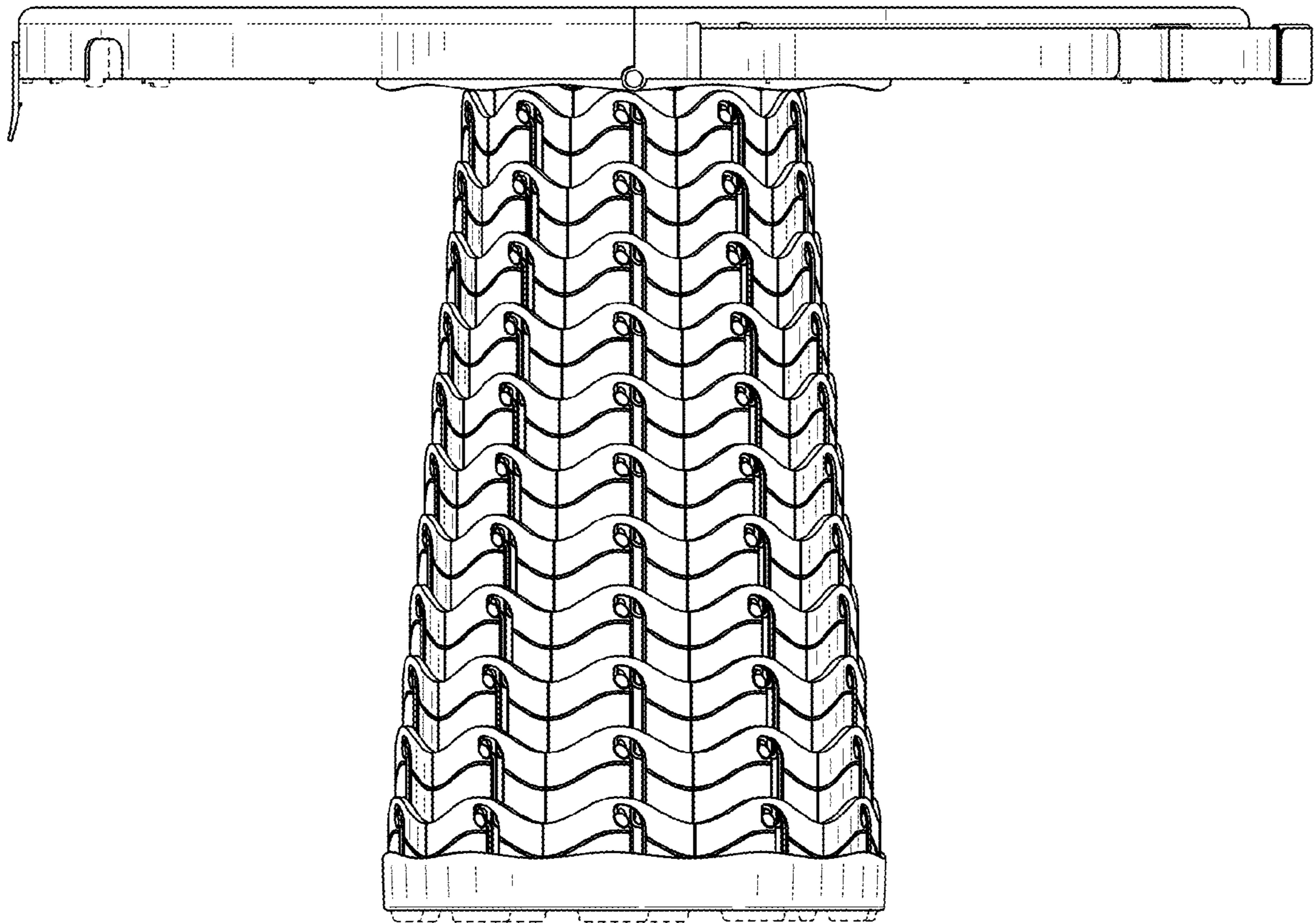


FIG. 3

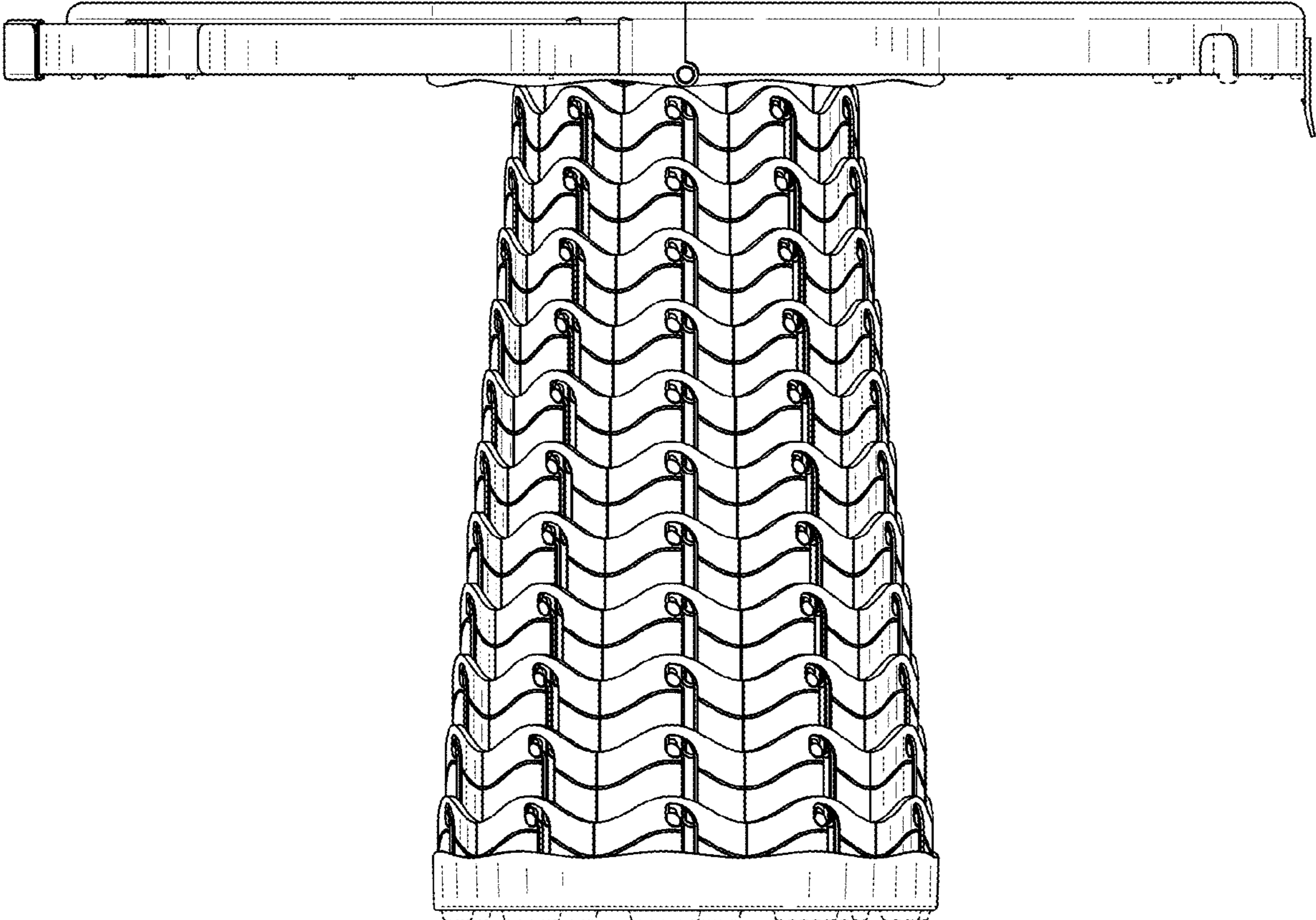


FIG. 4

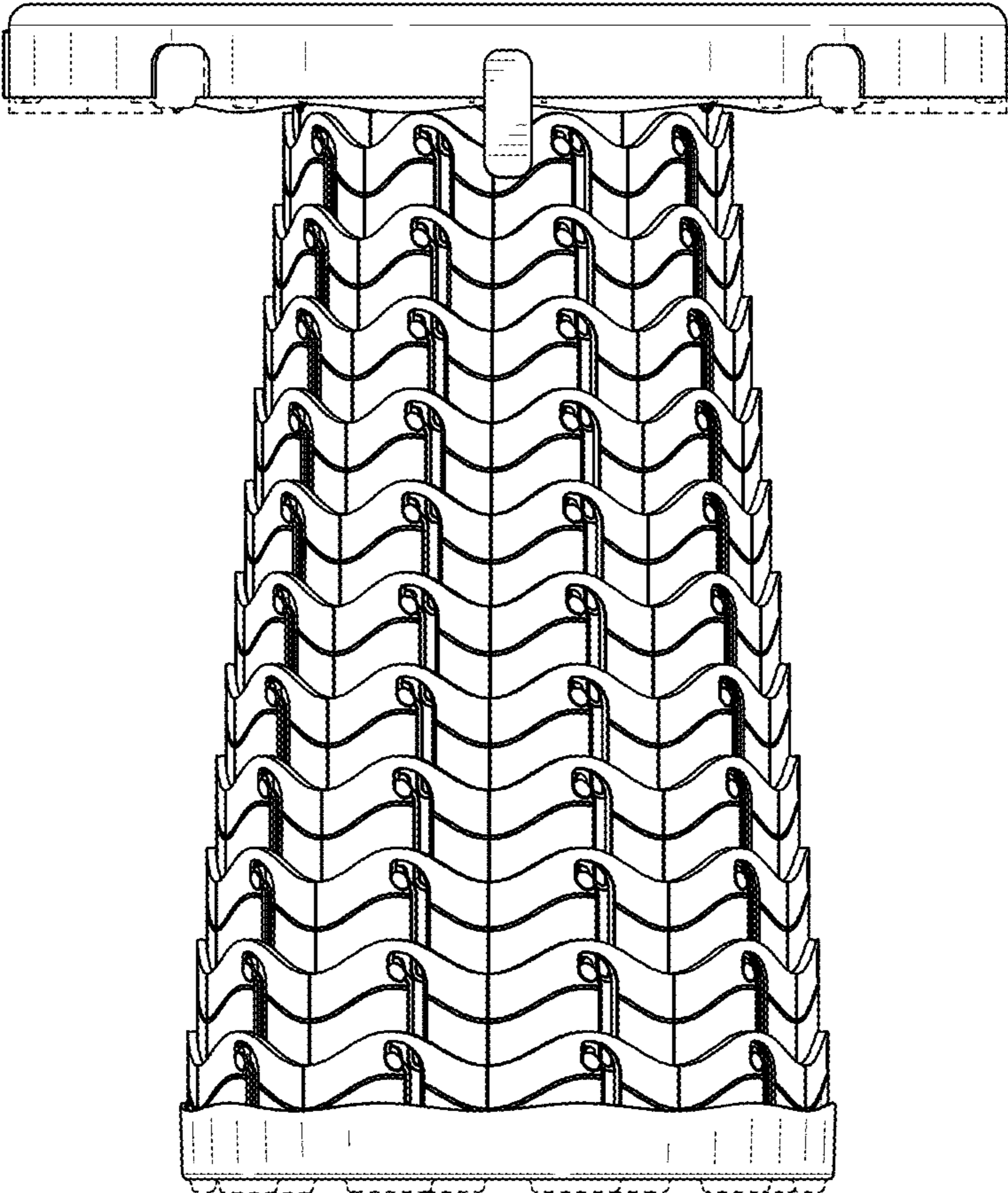


FIG. 5

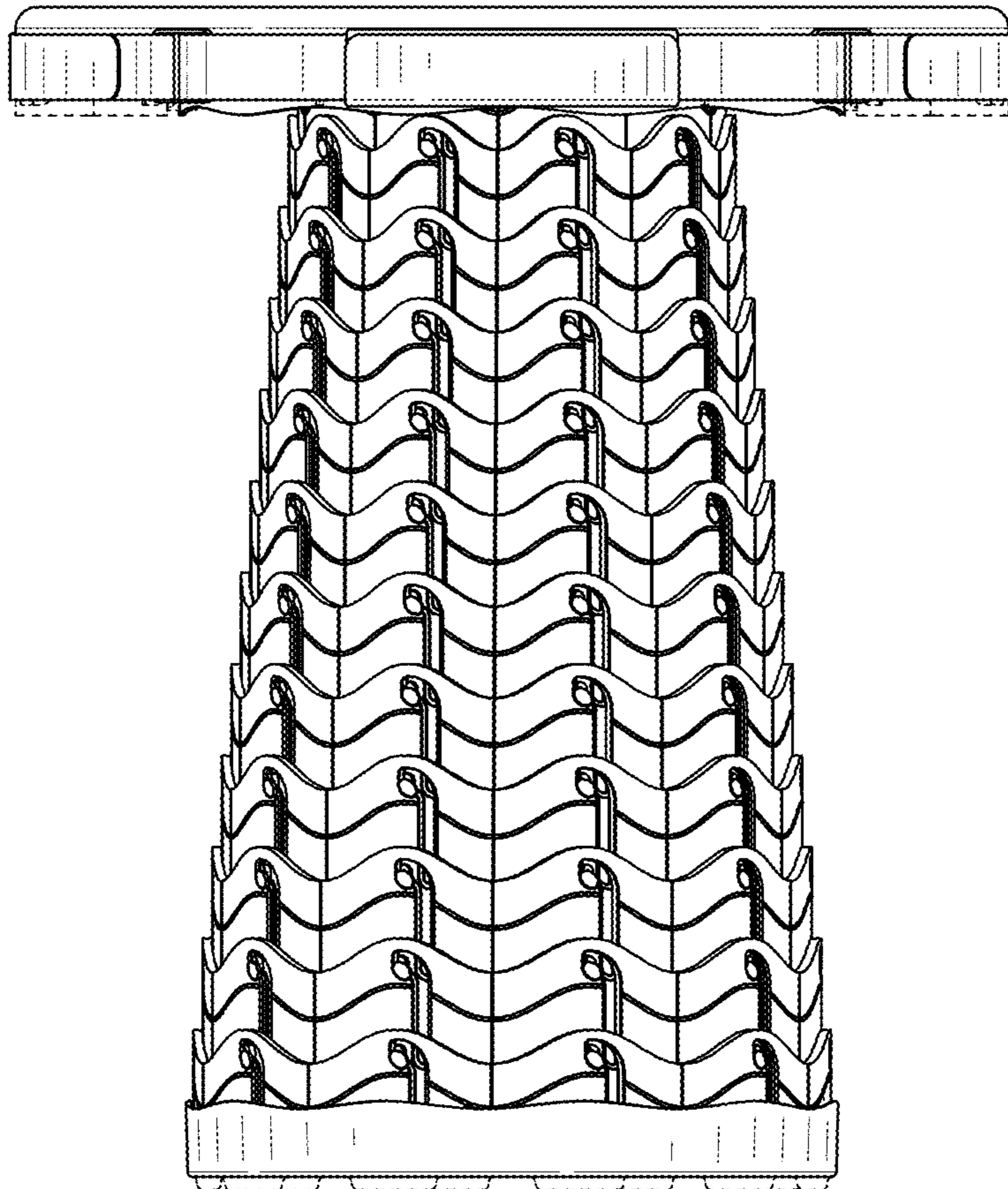


FIG. 6



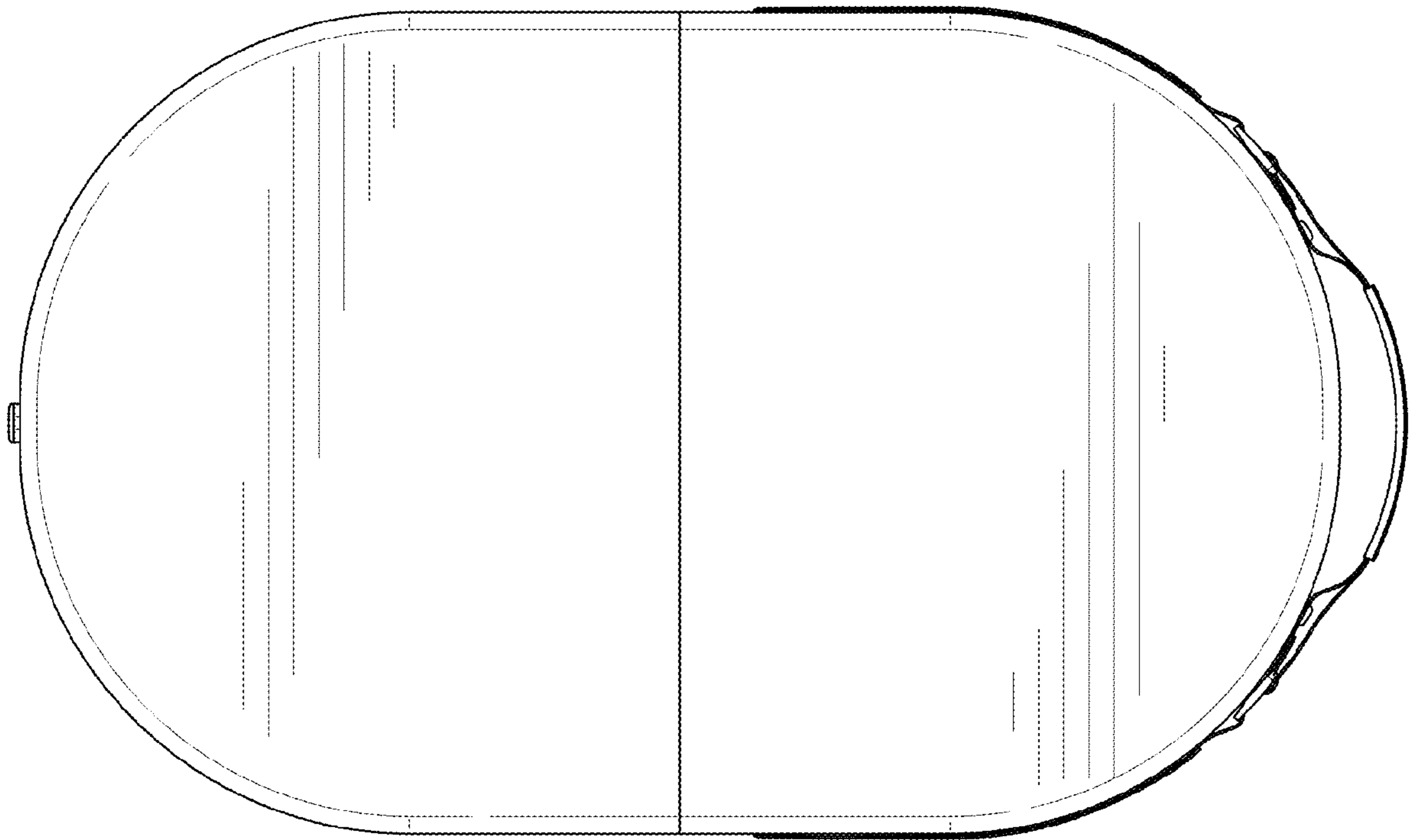


FIG. 7

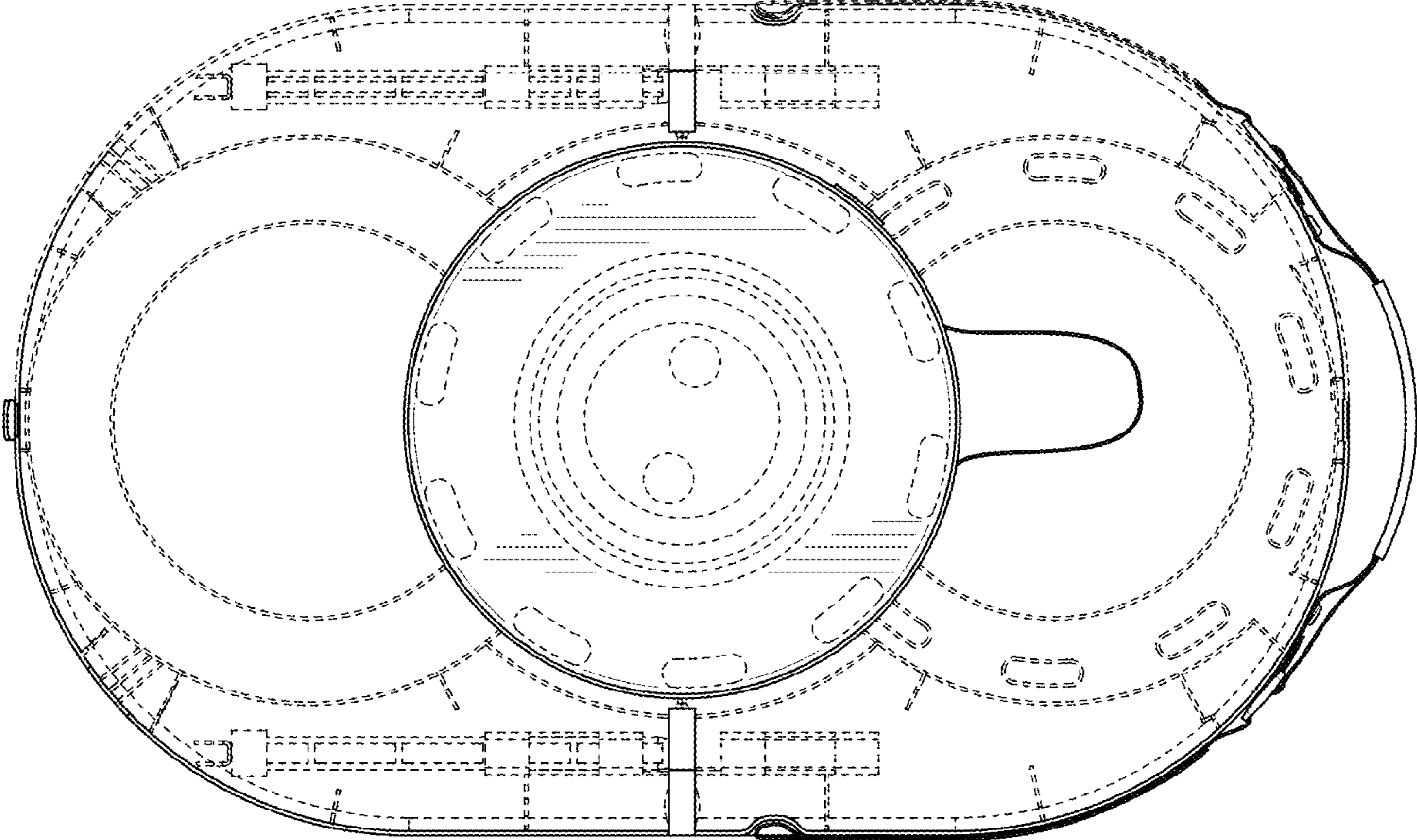


FIG. 8

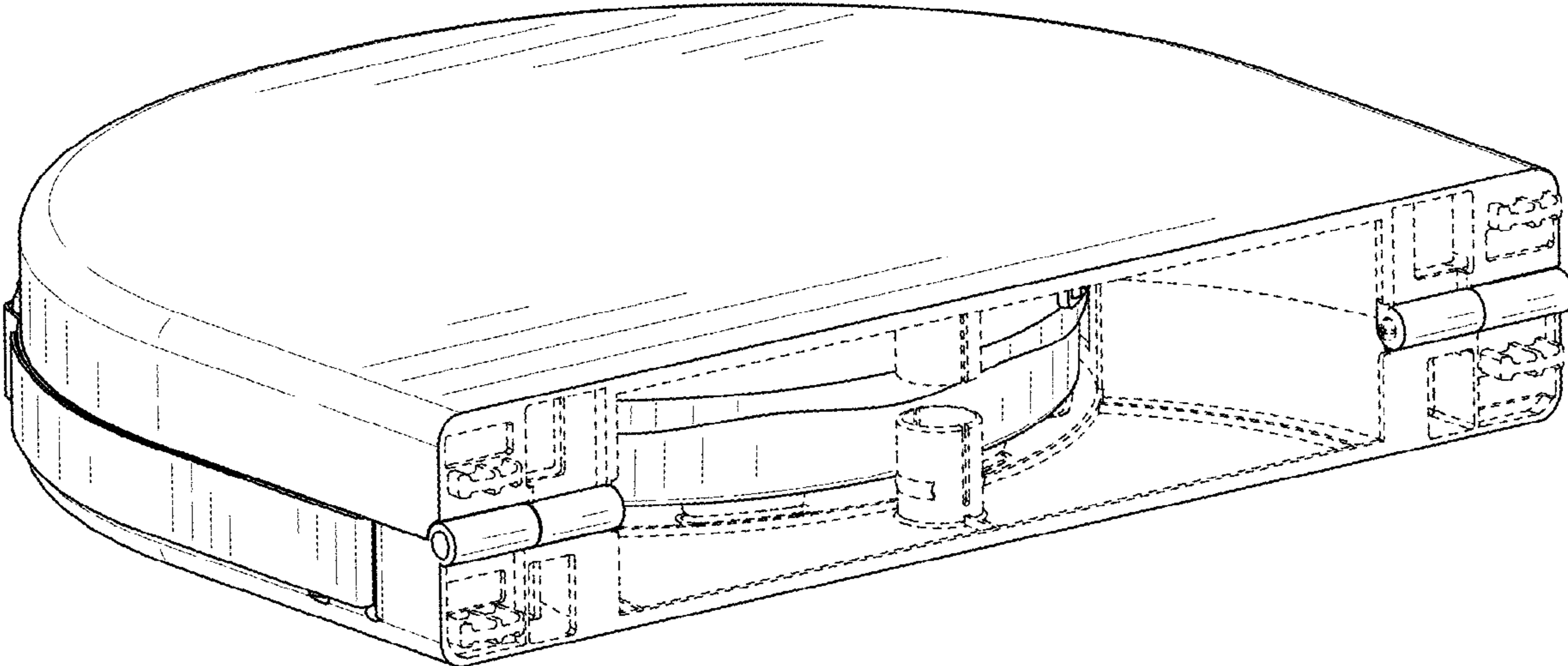


FIG. 9

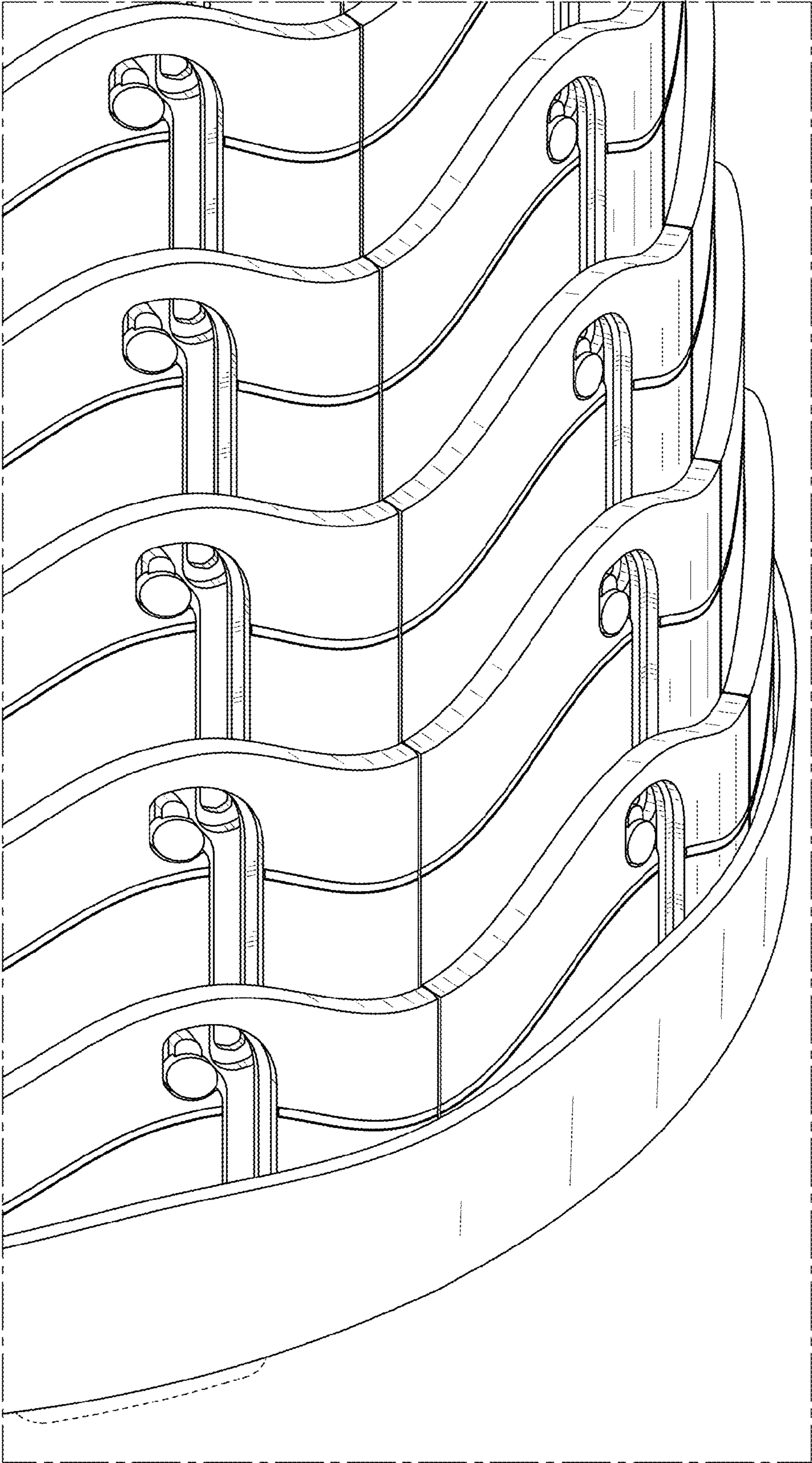


FIG. 10

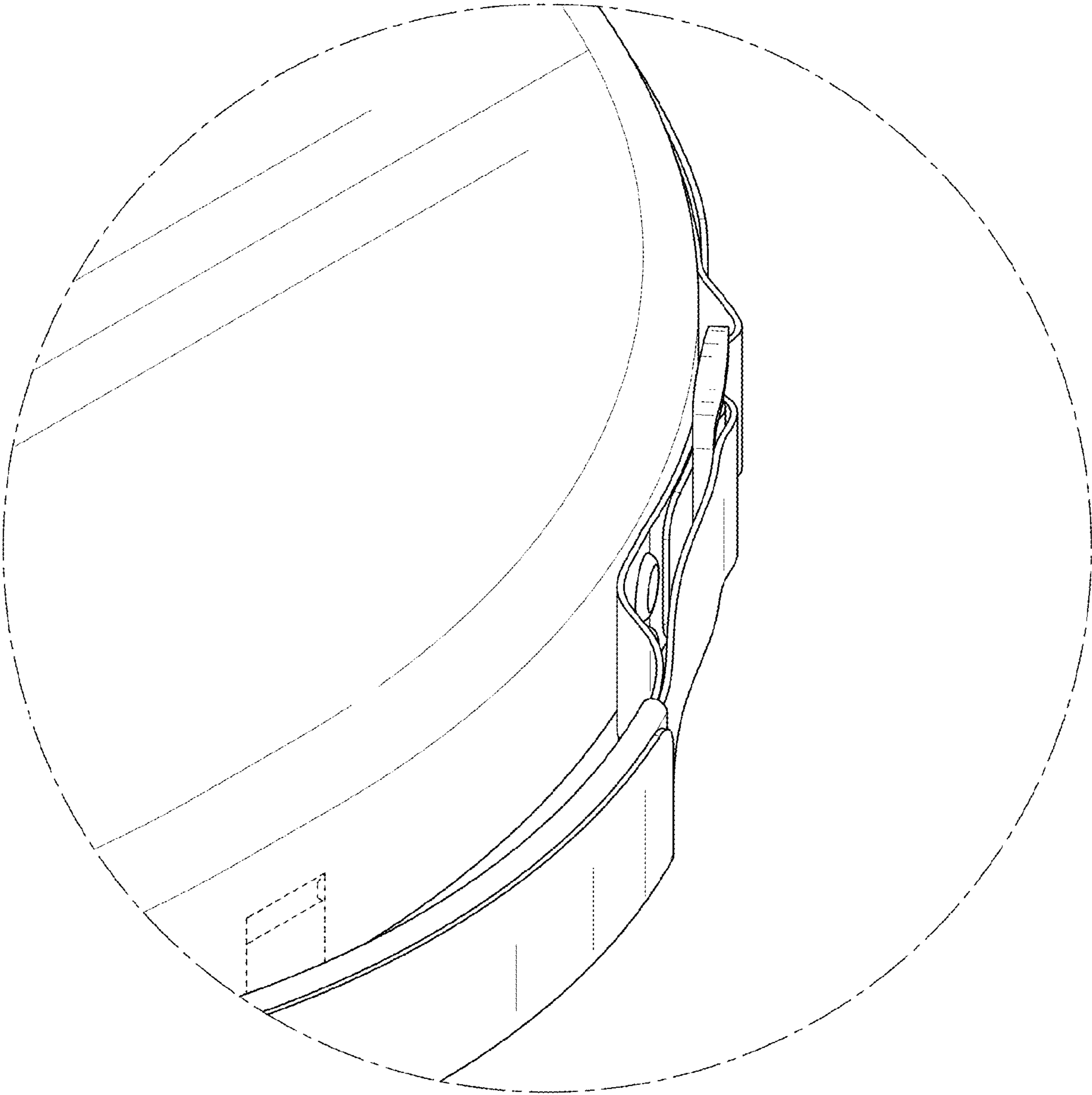


FIG. 11

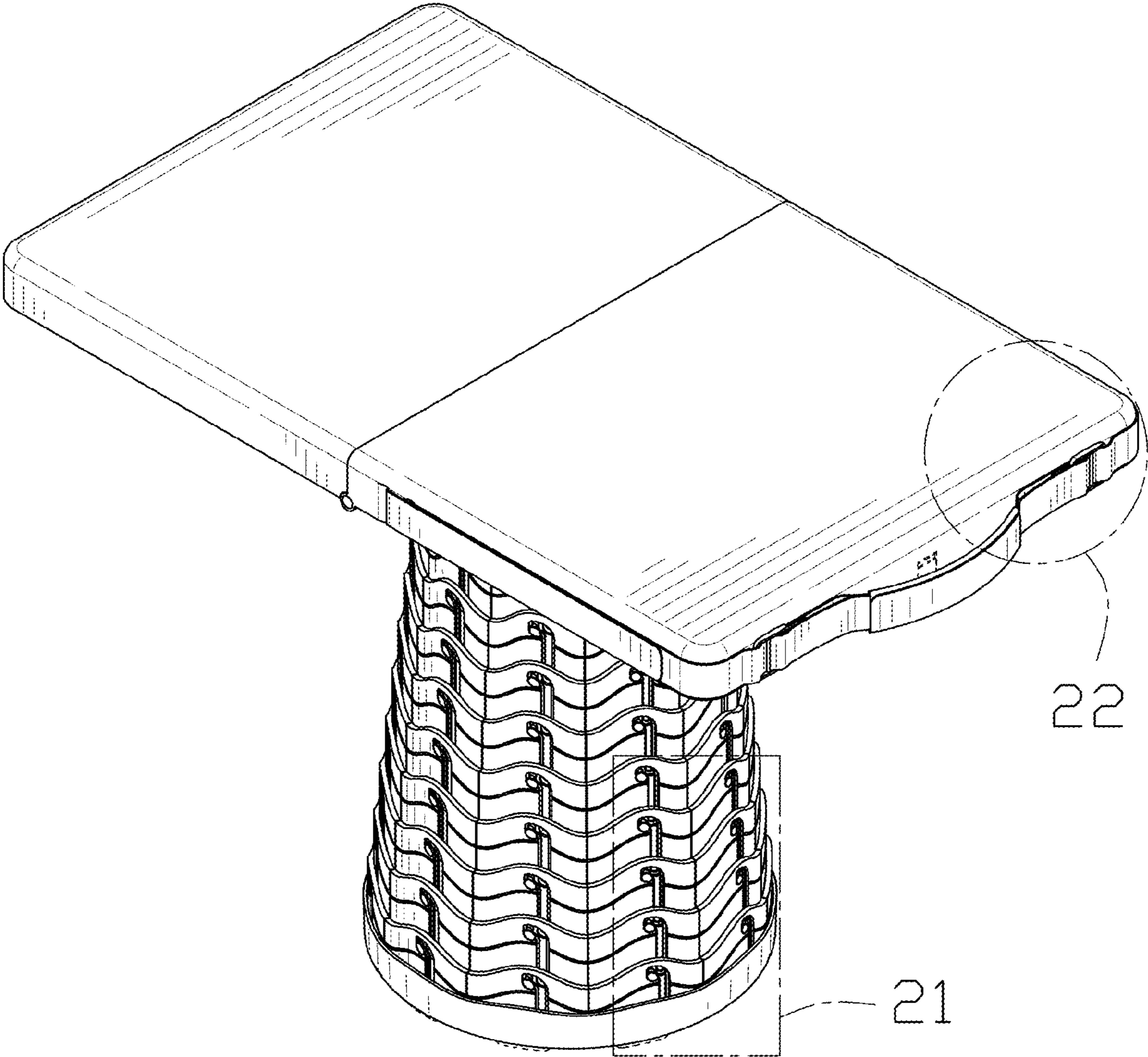


FIG. 12

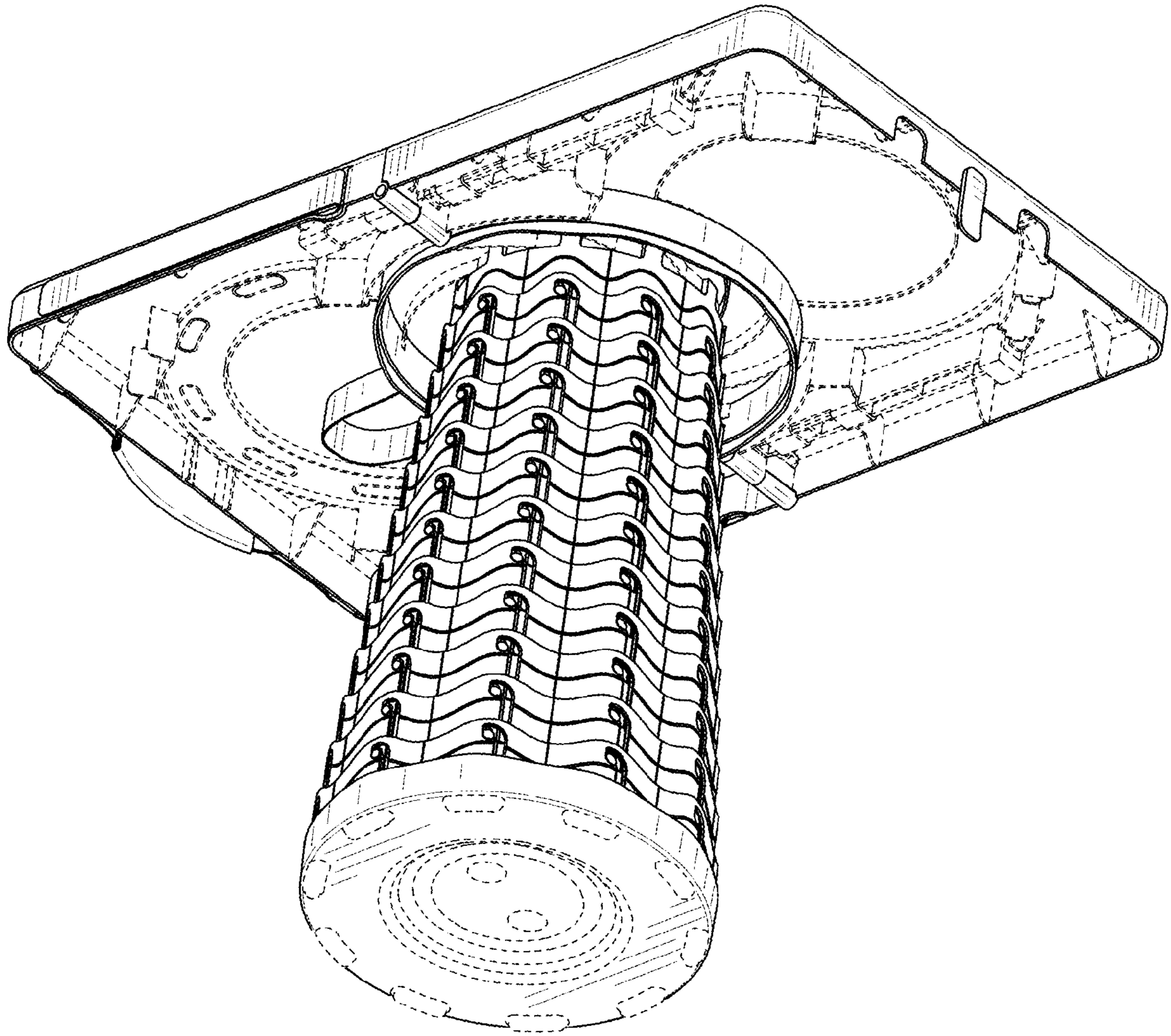


FIG. 13

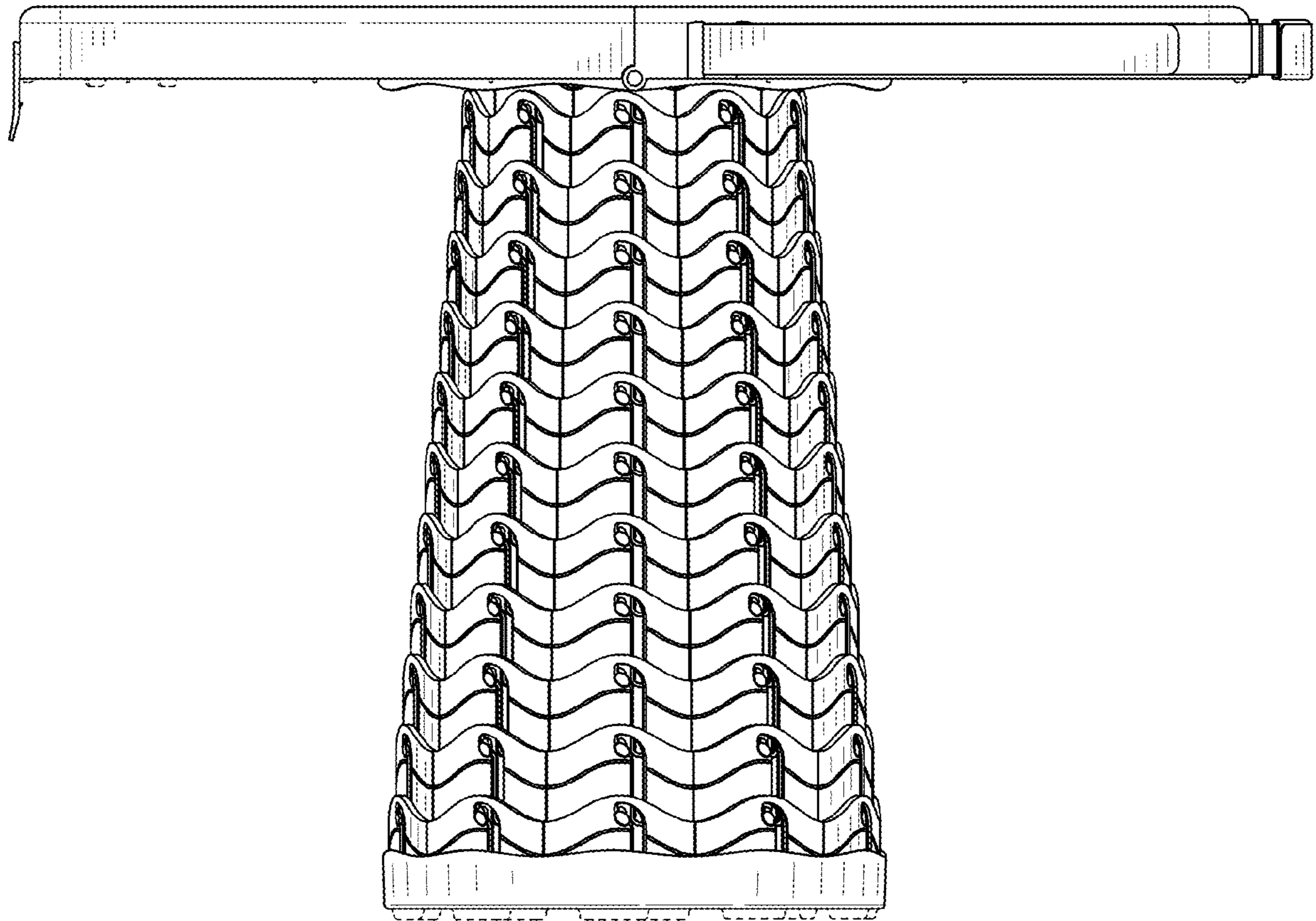


FIG. 14



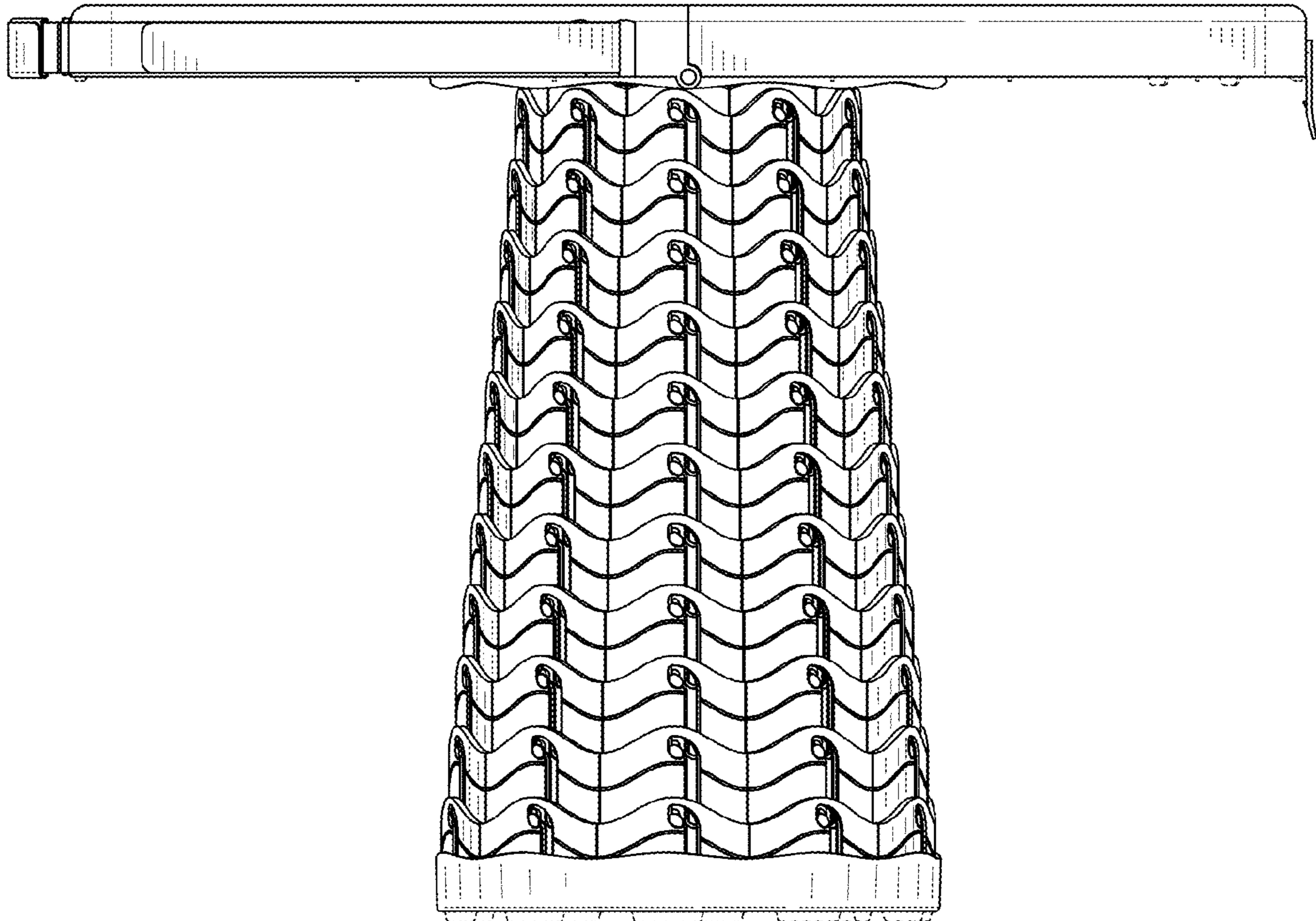


FIG. 15

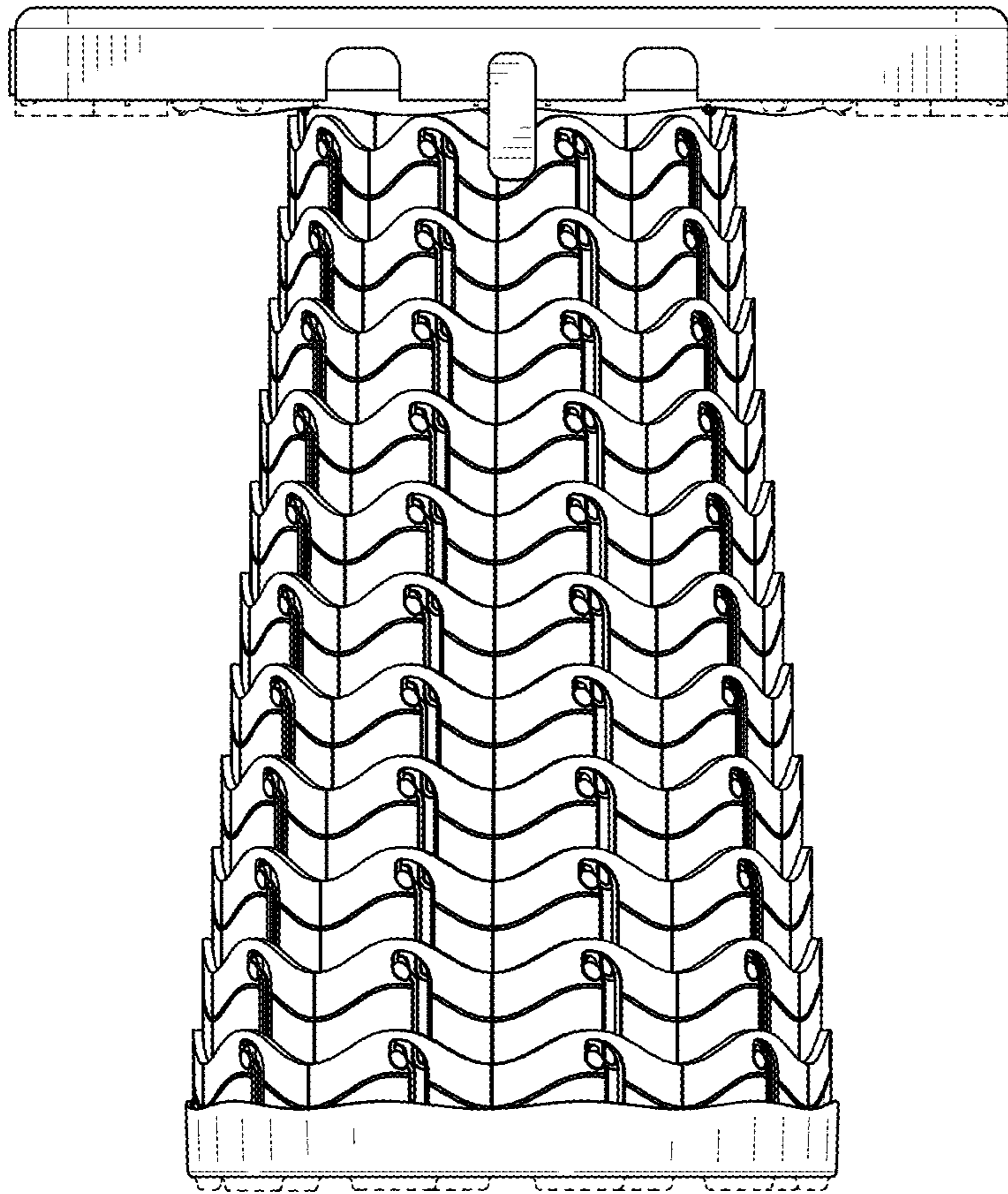


FIG. 16

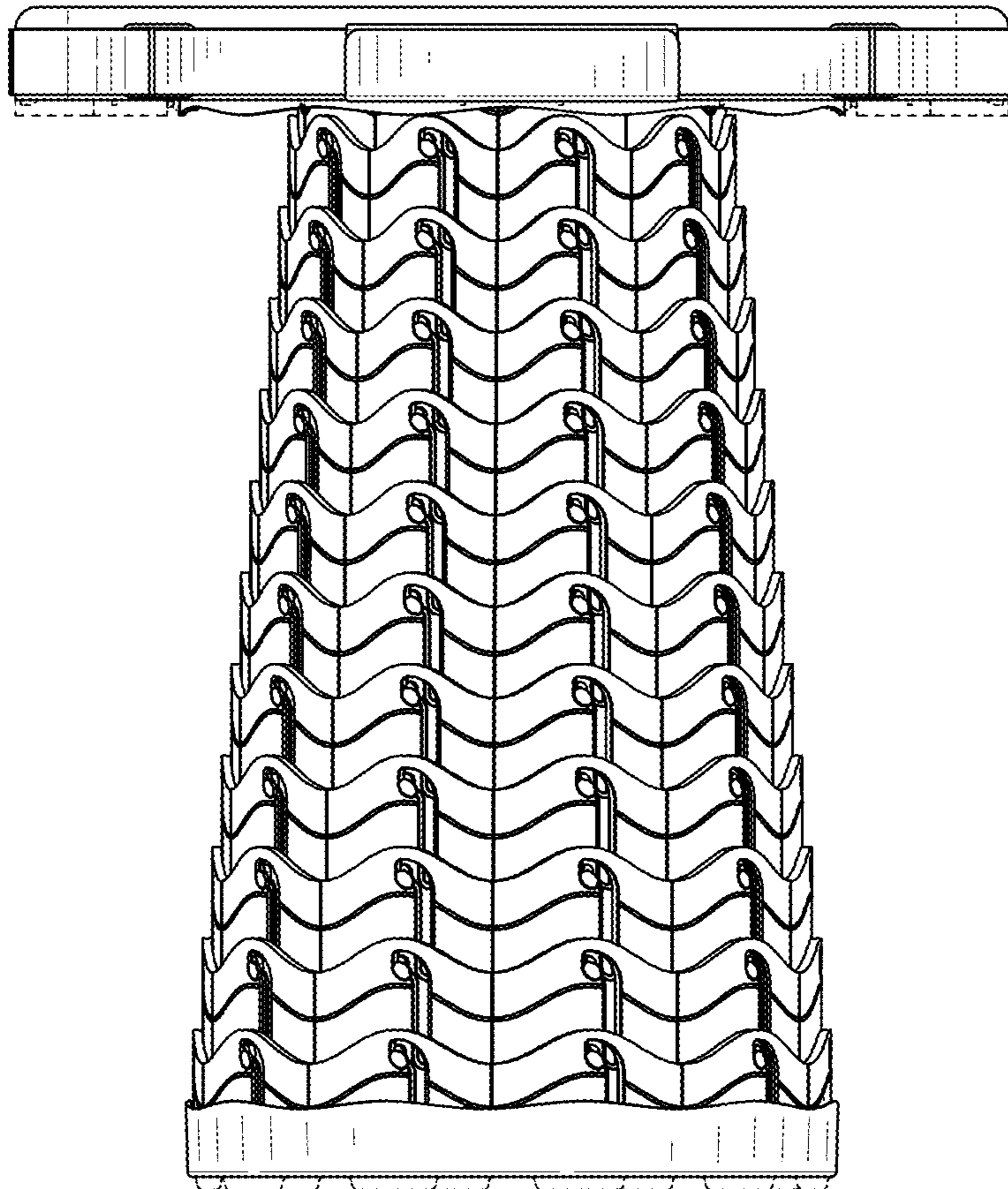


FIG. 17

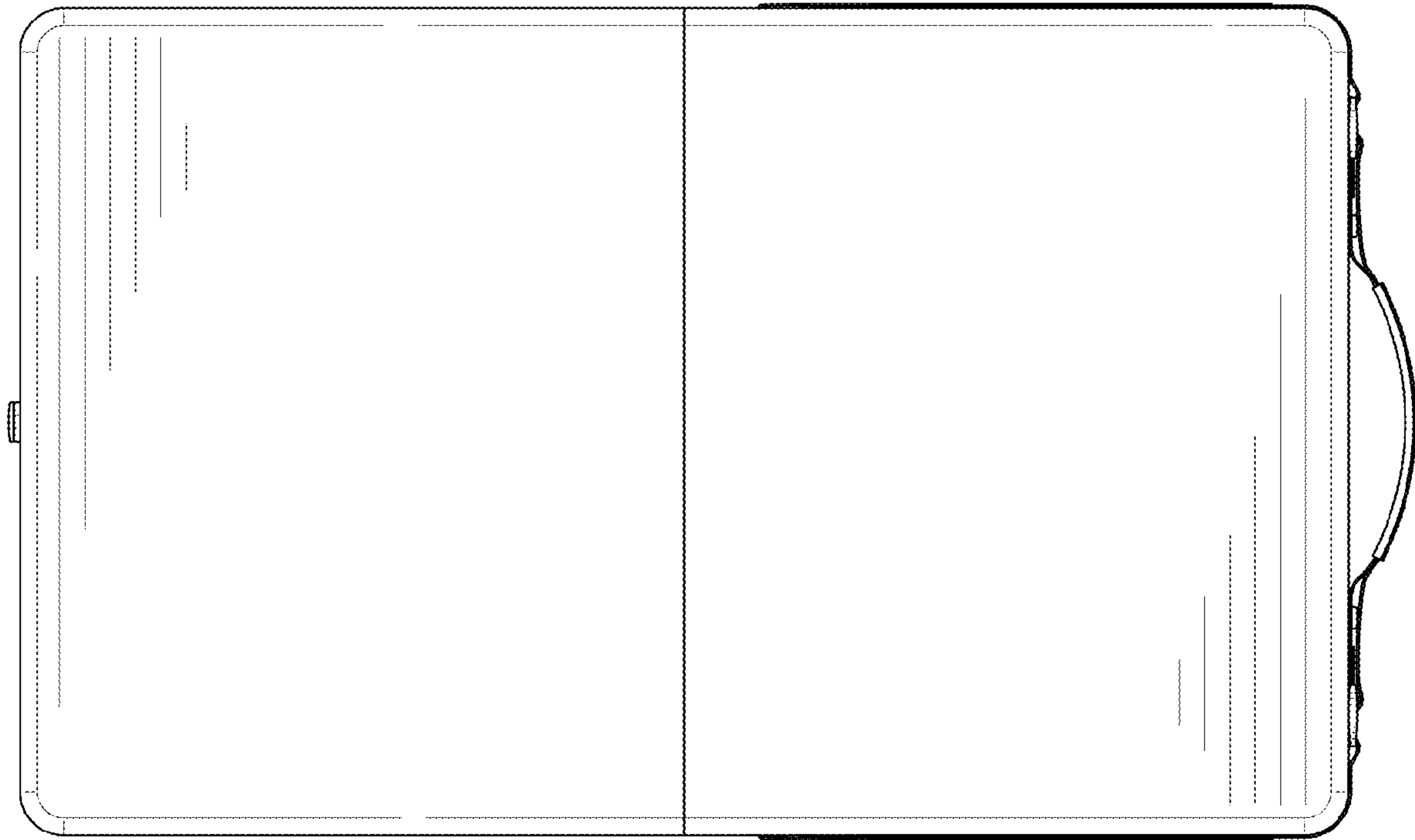


FIG. 18

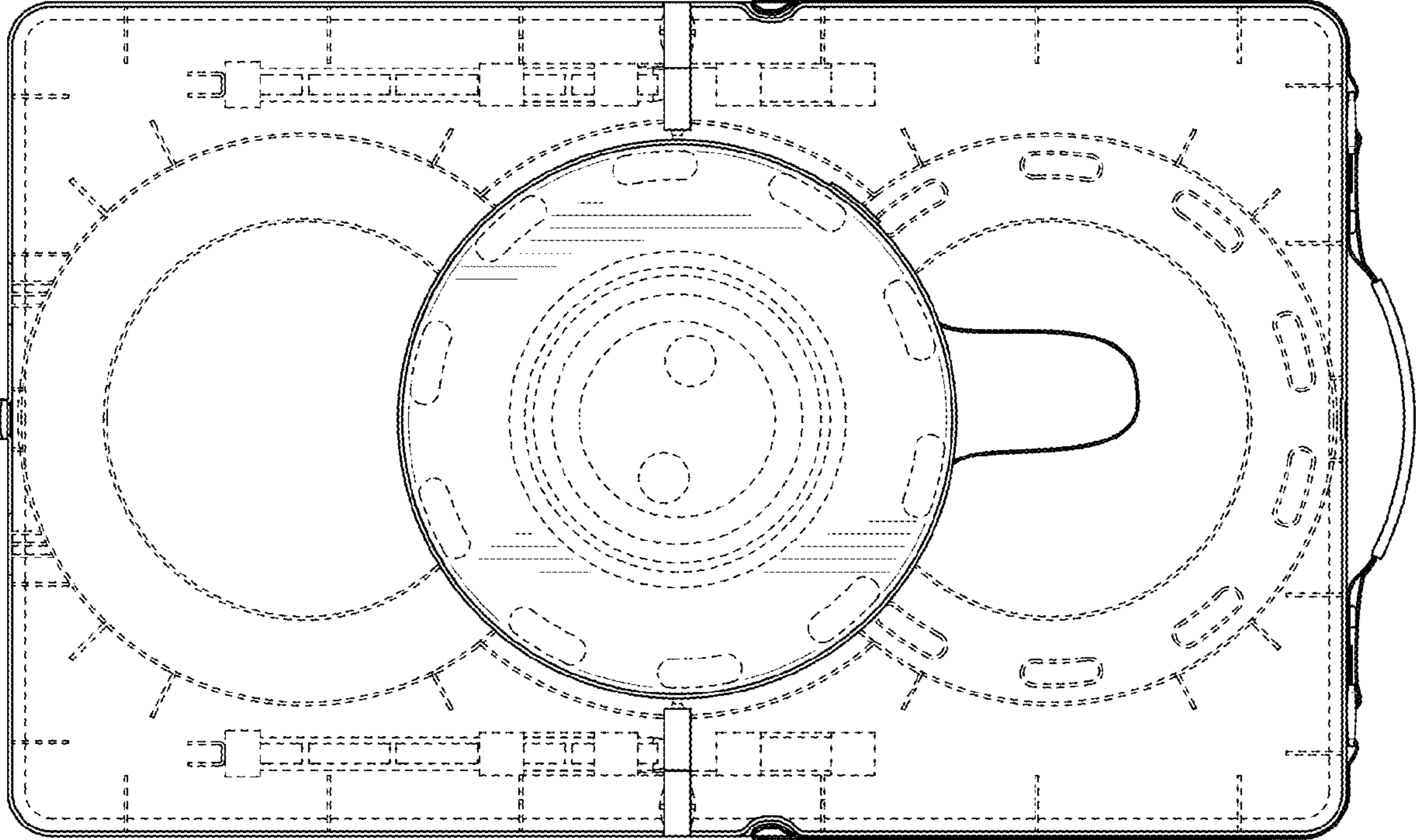


FIG. 19

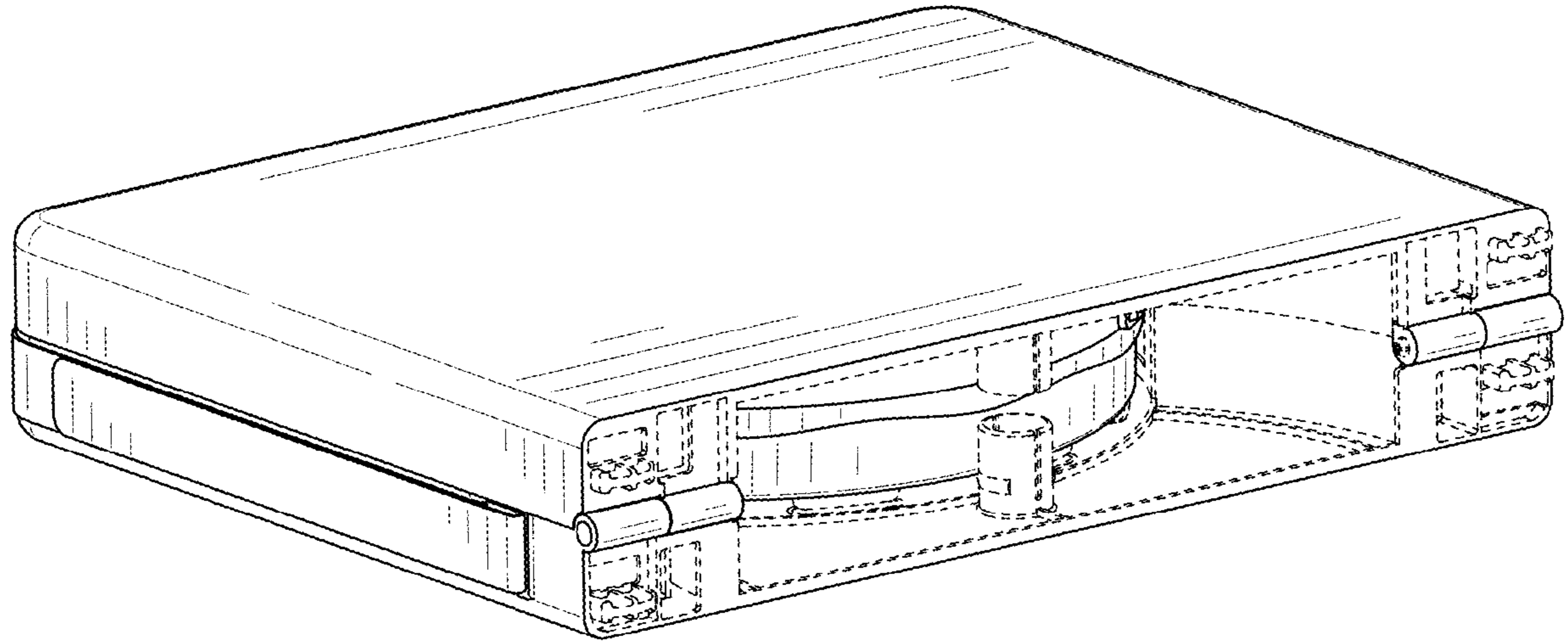


FIG. 20

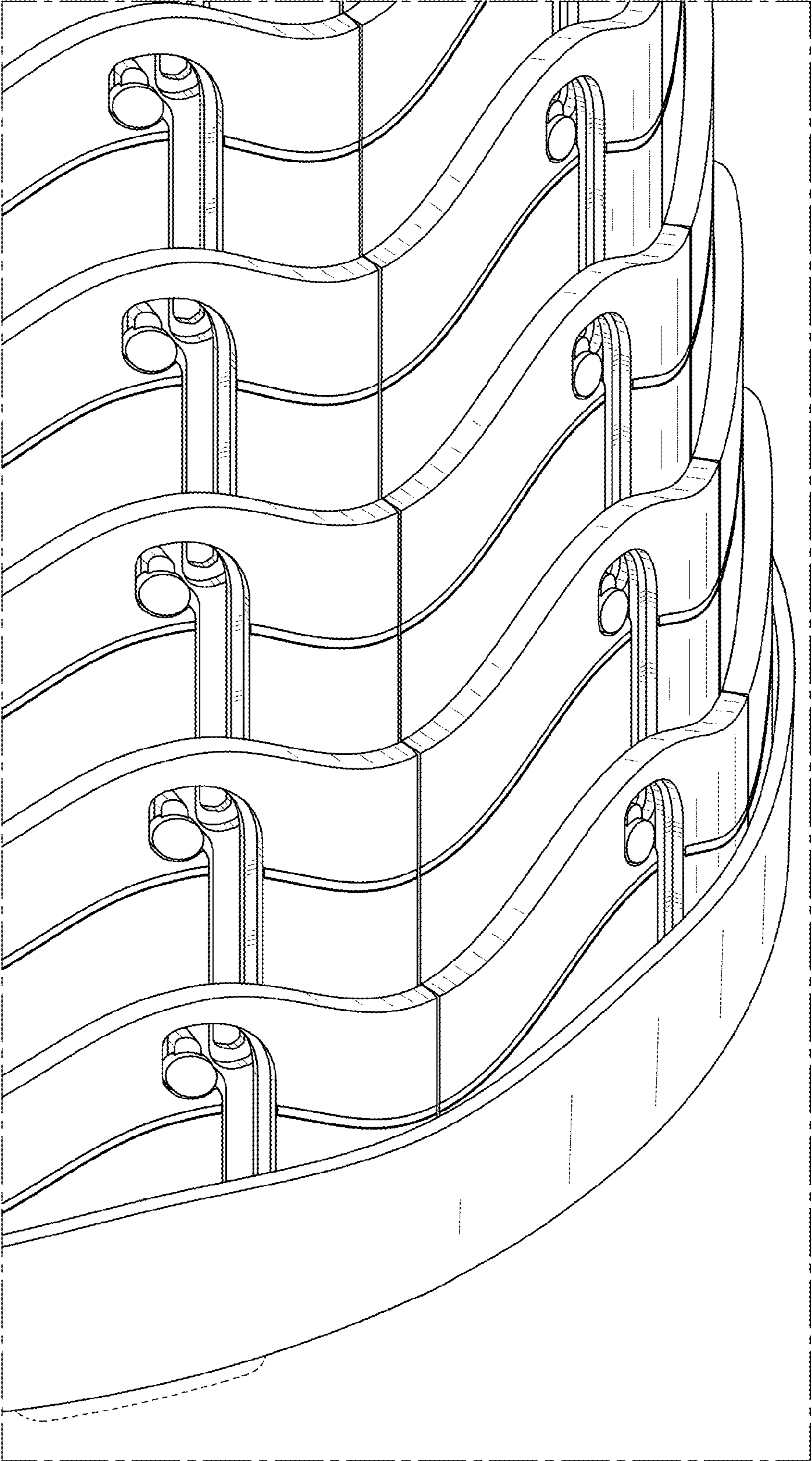


FIG. 21

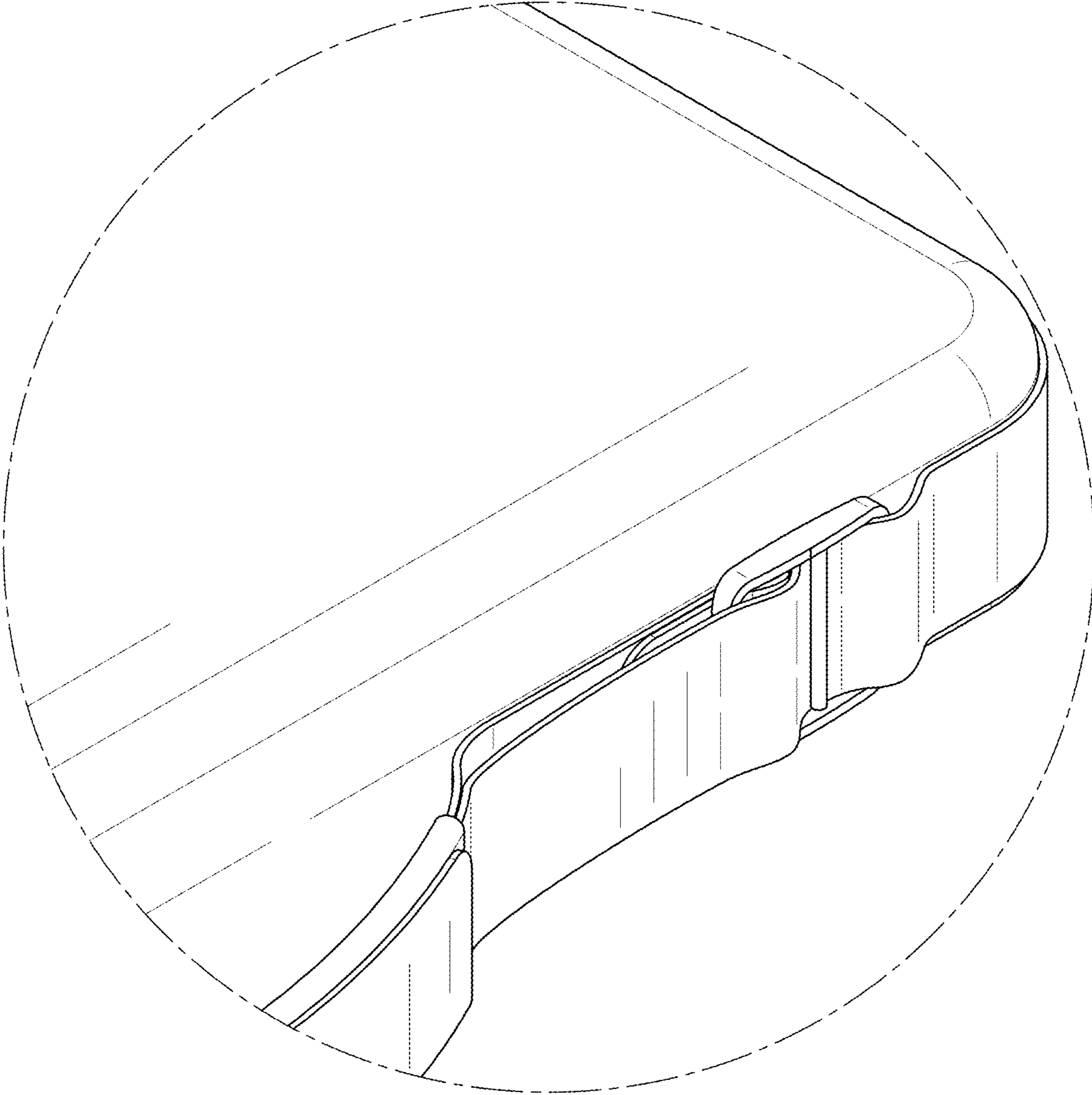


FIG. 22