



US00D906740S

(12) **United States Design Patent**
Parab et al.

(10) **Patent No.:** **US D906,740 S**
(45) **Date of Patent:** **** Jan. 5, 2021**

- (54) **SHELF SUPPORT BEAM**
- (71) Applicant: **Edsal Manufacturing Company, Inc.**,
Chicago, IL (US)
- (72) Inventors: **Rohan Parab**, Chicago, IL (US); **Jeff Lamber**,
Minooka, IL (US)
- (73) Assignee: **Edsal Manufacturing Company, Inc.**,
Chicago, IL (US)
- (**) Term: **15 Years**
- (21) Appl. No.: **29/682,219**
- (22) Filed: **Mar. 4, 2019**
- (51) **LOC (13) Cl.** **20-02**
- (52) **U.S. Cl.**
- USPC **D6/675.5**
- (58) **Field of Classification Search**
- USPC D6/300, 310, 320, 329, 512, 513, 514,
D6/515, 545, 567, 574, 641, 642, 661,
D6/662.1, 663-691, 694, 702, 705, 705.2,
D6/705.4, 705.5, 705.6, 705.7, 706,
D6/708.16, 712, 719; D7/300, 301, 302,
D7/303, 304, 305, 306, 307, 308, 309,
D7/310, 311, 312, 313, 314, 315, 316,
D7/317, 318, 319, 320, 321, 322, 396.1,
D7/552.2, 600, 600.1, 600.4, 701; D8/71,
D8/354, 363, 373, 374, 377, 381, 394;
D3/201, 297, 304, 306; D34/12, 21;
D12/223, 412; D20/44; D21/686;
D25/102-136
- CPC A47B 11/00; A47B 9/00; A47B 51/00;
A47B 57/00; A47B 57/08; A47B 57/10;
A47B 57/16; A47B 57/30; A47B 45/00;
A47B 47/00; A47B 47/021; A47B
47/025; A47B 47/027; A47B 87/00; A47B
87/008; A47B 87/02; A47B 87/0207;
A47B 43/00;

(Continued)

(56) **References Cited**

U.S. PATENT DOCUMENTS

- 2,909,289 A * 10/1959 Laurie A47B 57/16
108/157.13
- 3,278,043 A * 10/1966 Kimpton A47B 57/402
211/191

(Continued)

Primary Examiner — Michael A. Pratt
Assistant Examiner — Adam C Mager
 (74) *Attorney, Agent, or Firm* — Wood Herron & Evans
 LLP

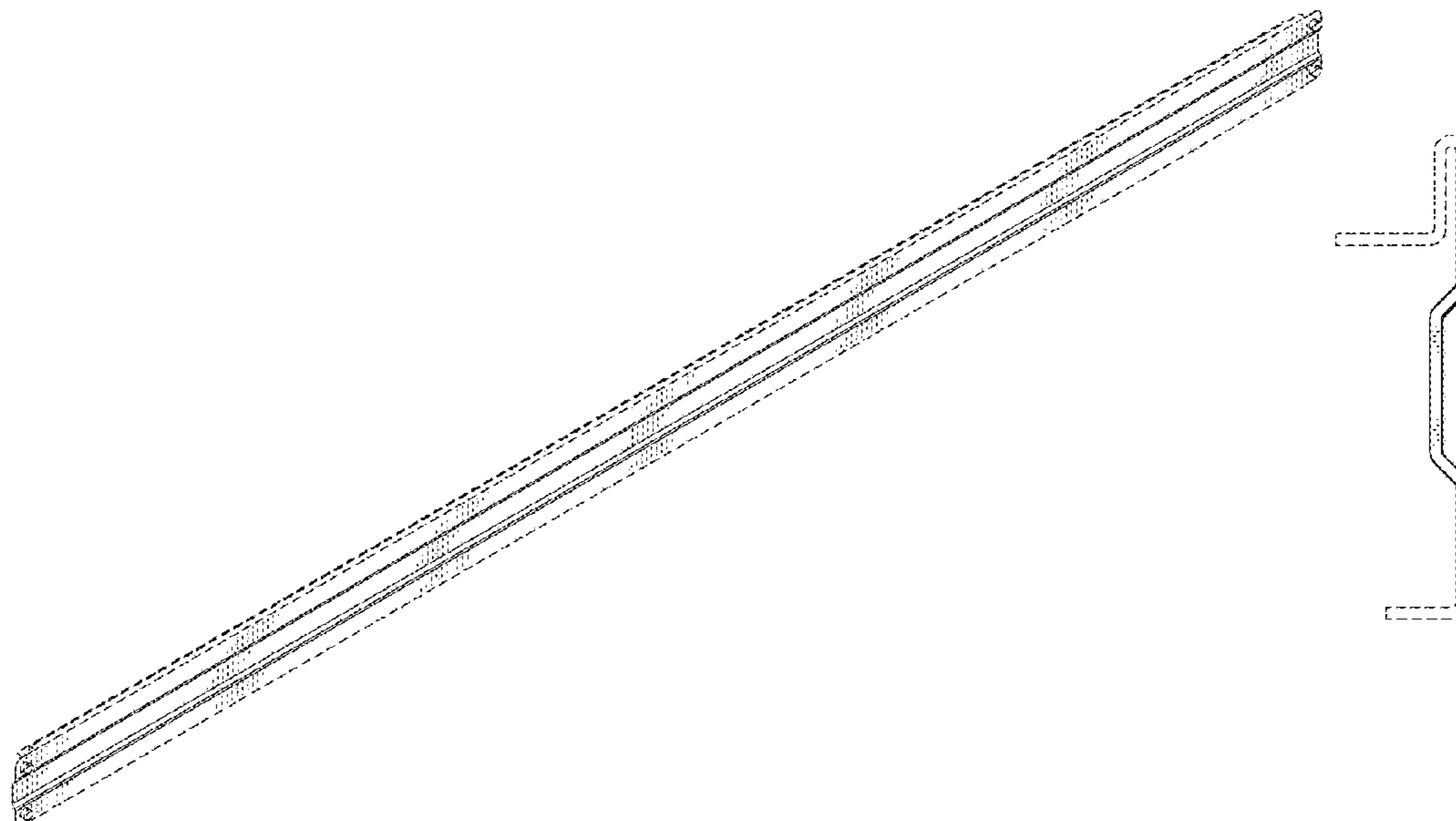
(57) **CLAIM**

The ornamental design for a shelf support beam, as shown and described.

DESCRIPTION

FIG. 1 is an isometric view of the shelf support beam according to the present invention;
 FIG. 2 is a front isometric view thereof;
 FIG. 3 is another front isometric view thereof;
 FIG. 4 is a rear isometric view thereof;
 FIG. 5 is a front elevation view thereof;
 FIG. 6 is a rear elevation view thereof;
 FIG. 7 is a top plan view thereof;
 FIG. 8 is a bottom plan view thereof;
 FIG. 9 is a left side elevation view thereof;
 FIG. 10 is a right side elevation view thereof;
 FIG. 11 is a cross-section view of a portion of the view of FIG. 3; and,
 FIG. 12 is a rear isometric view of the view of FIG. 11.
 The broken dash lines in the figures are for illustrative purposes only and represent non-claimed environmental subject matter. Neither the portions of the invention shown in broken dash line nor the broken dash lines themselves form any part of the claimed invention.
 The diagonal lines illustrated on the end of the enlarged portion of the shelf support beam in FIGS. 11, 12 represent a cross-section and do not form any part of the claimed design.

1 Claim, 8 Drawing Sheets



(58) **Field of Classification Search**

CPC A47B 43/03; A47B 43/04; A47B 88/00;
A47B 88/40; A47B 88/423; A47B
88/427; A47B 19/00; A47B 31/00; A47B
2031/002; A47B 2031/003; A47B
2031/008; A47B 63/00; A47B 61/02;
A47F 1/00; A47F 1/04; A47F 1/12; A47F
3/00; A47F 3/02; A47F 3/0439; A47F
5/00; A47F 5/00; A47F 5/0018; A47F
5/0043; A47F 10/02; F16B 2/065

See application file for complete search history.

(56) **References Cited**

U.S. PATENT DOCUMENTS

3,840,124 A * 10/1974 Atwater A47B 96/1441
211/182
4,233,912 A * 11/1980 Ferdinand A47B 57/10
108/109
5,036,778 A * 8/1991 Briosi A47B 47/021
108/110
5,407,170 A * 4/1995 Slivon B25H 3/06
211/7
D597,353 S * 8/2009 Liss D6/719
D754,881 S * 4/2016 Hatch D25/136
D767,169 S * 9/2016 Hatch D25/136
9,750,347 B2 * 9/2017 Nuckolls A47B 88/443
D859,693 S * 9/2019 Albert, IV D25/119
D886,920 S * 6/2020 Dunahay D21/686
2005/0103734 A1 * 5/2005 Saltzberg A47B 96/1441
211/187

* cited by examiner

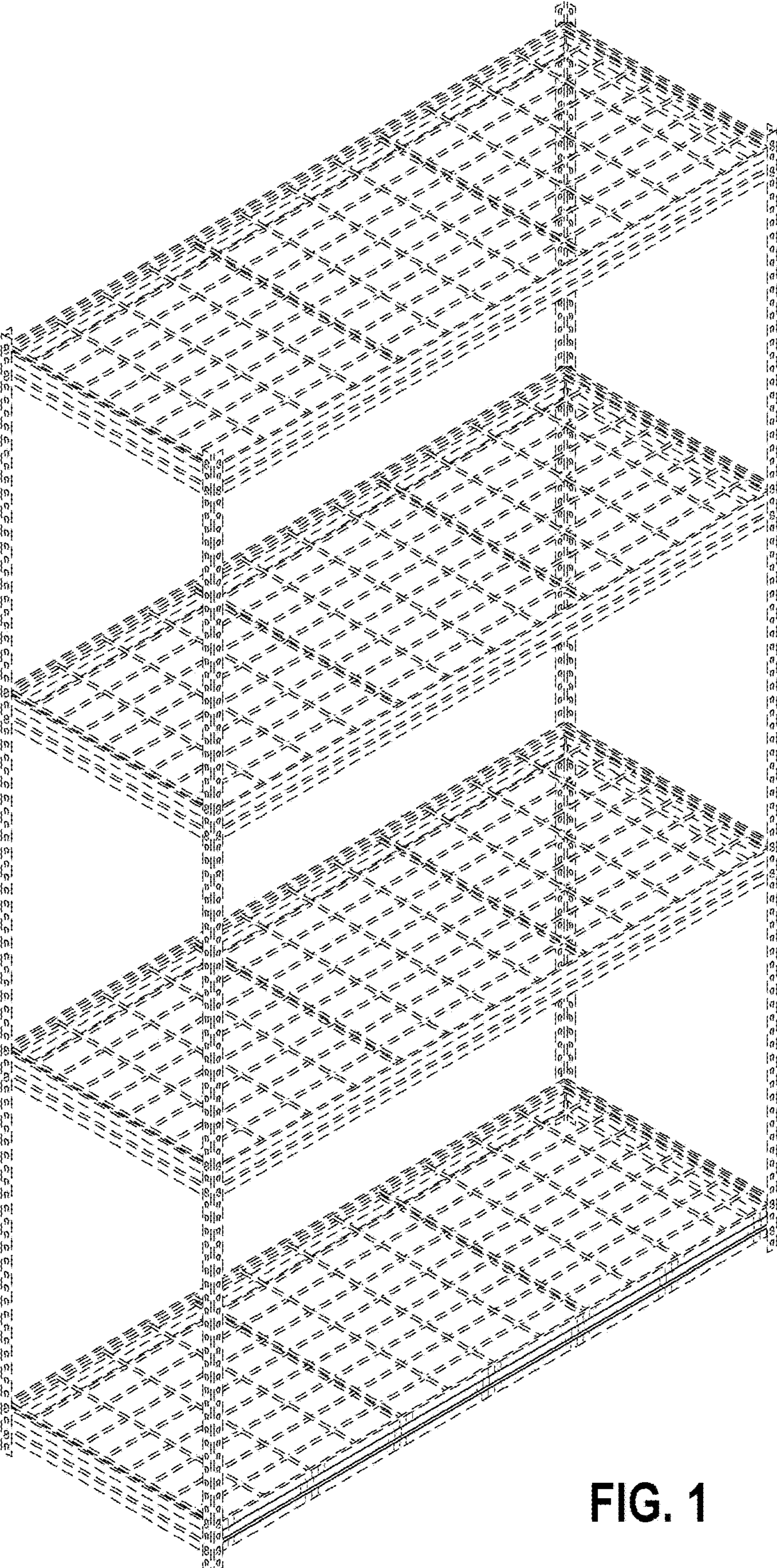


FIG. 1

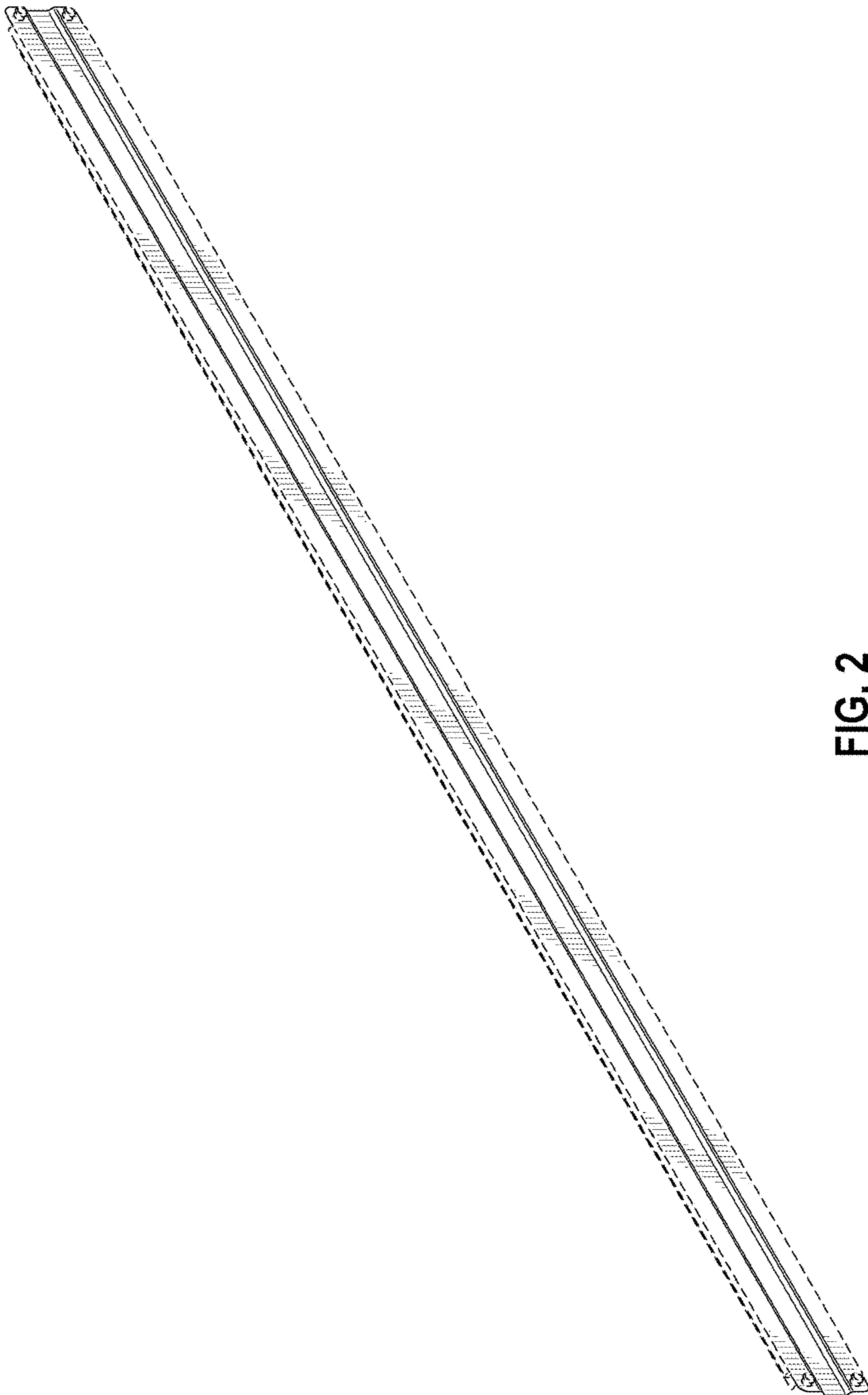


FIG. 2

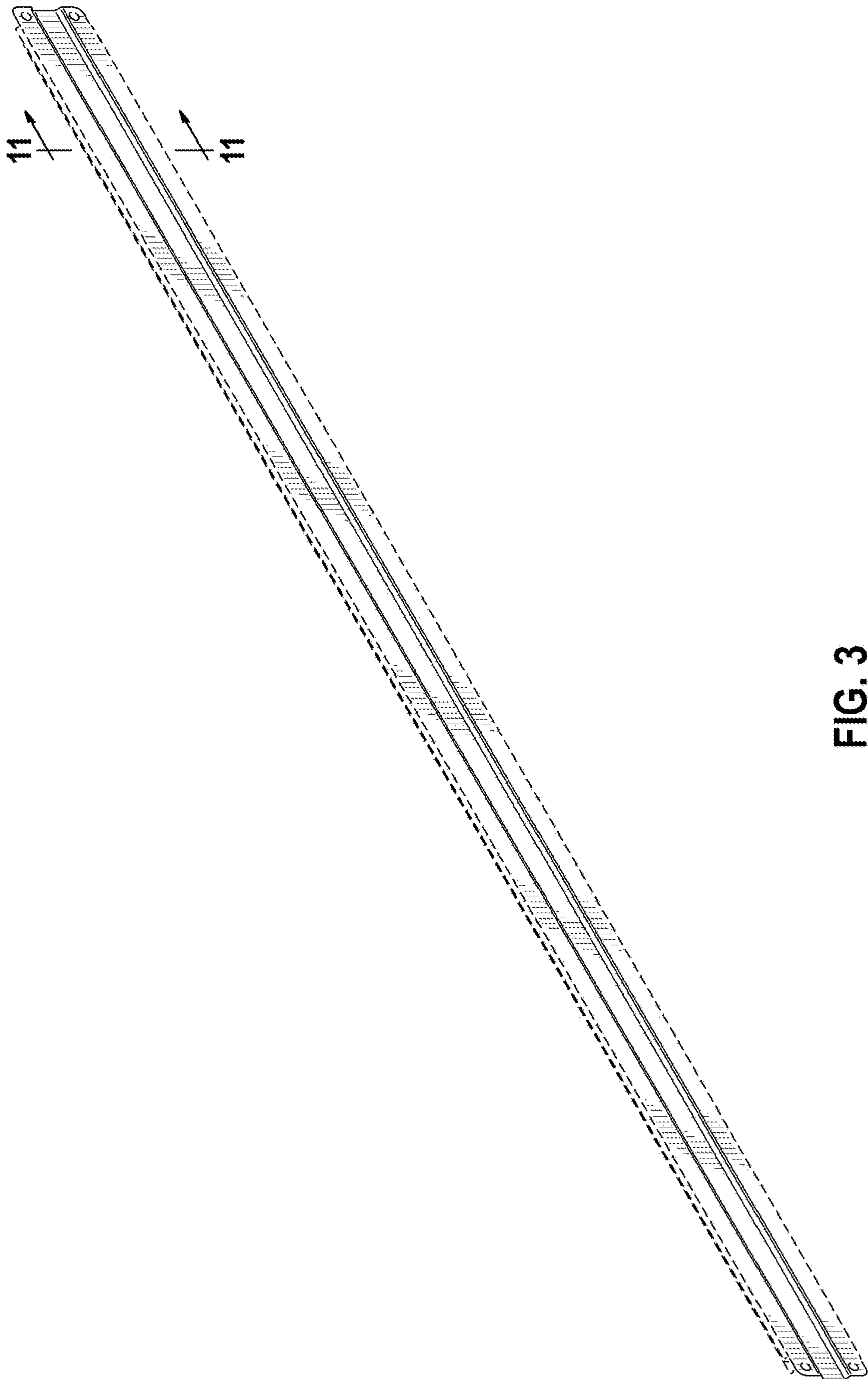


FIG. 3

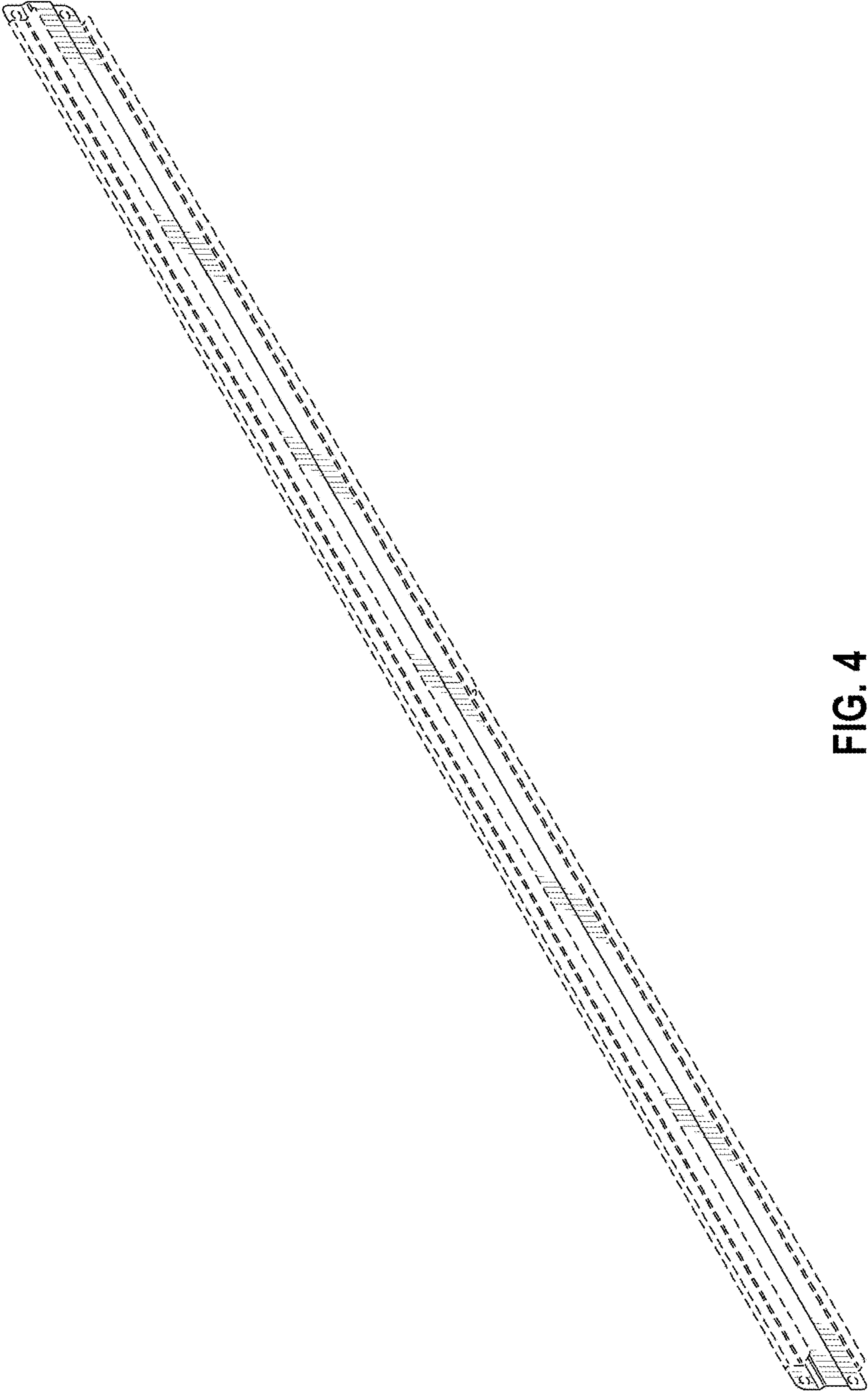


FIG. 4

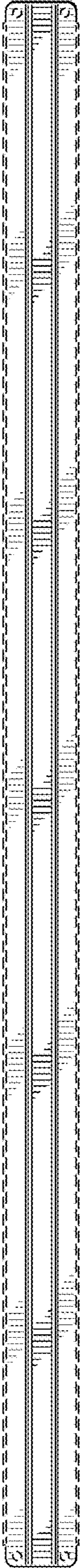


FIG. 5



FIG. 6

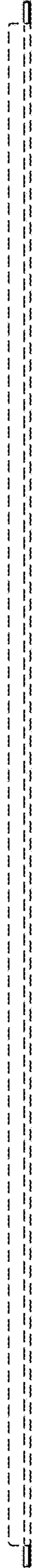


FIG. 7

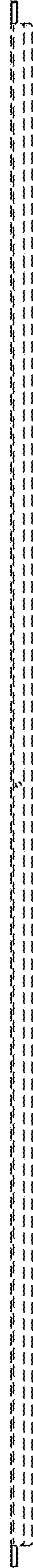


FIG. 8

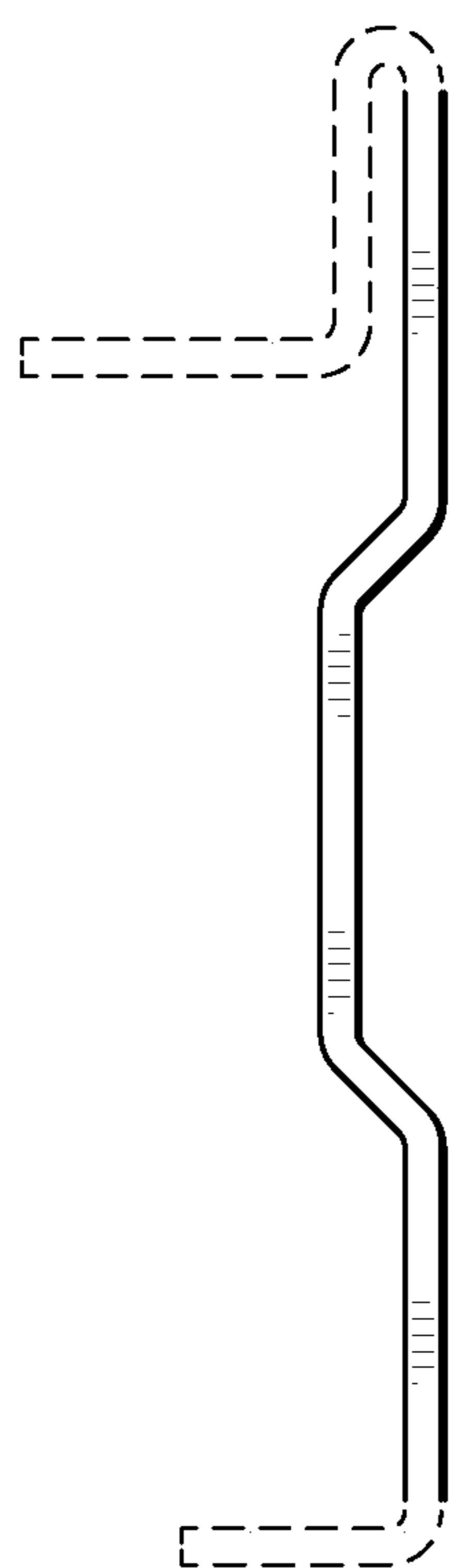


FIG. 9

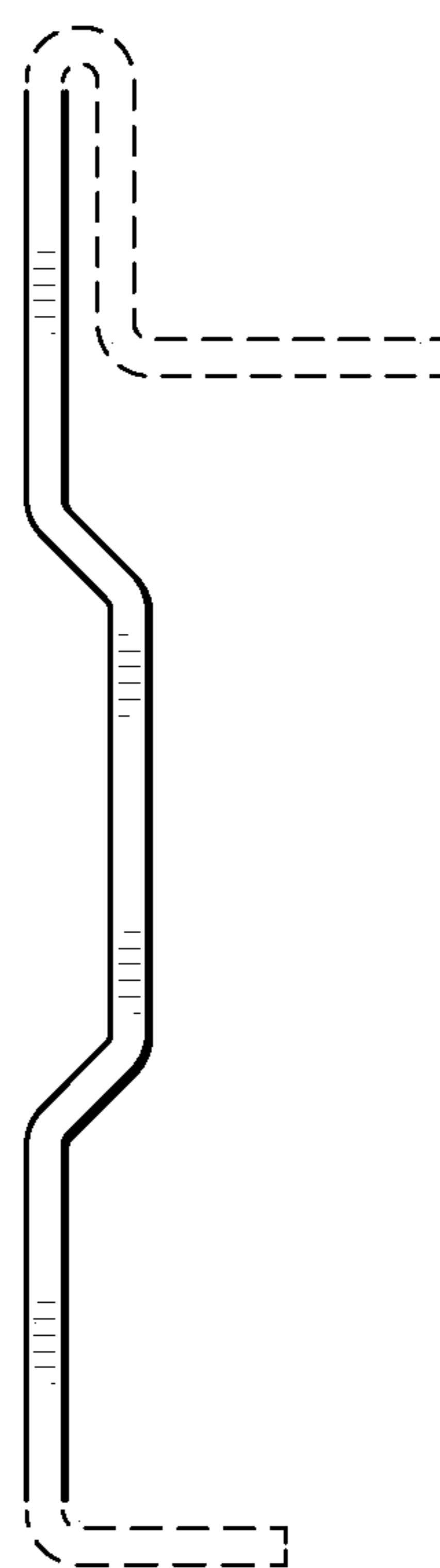


FIG. 10

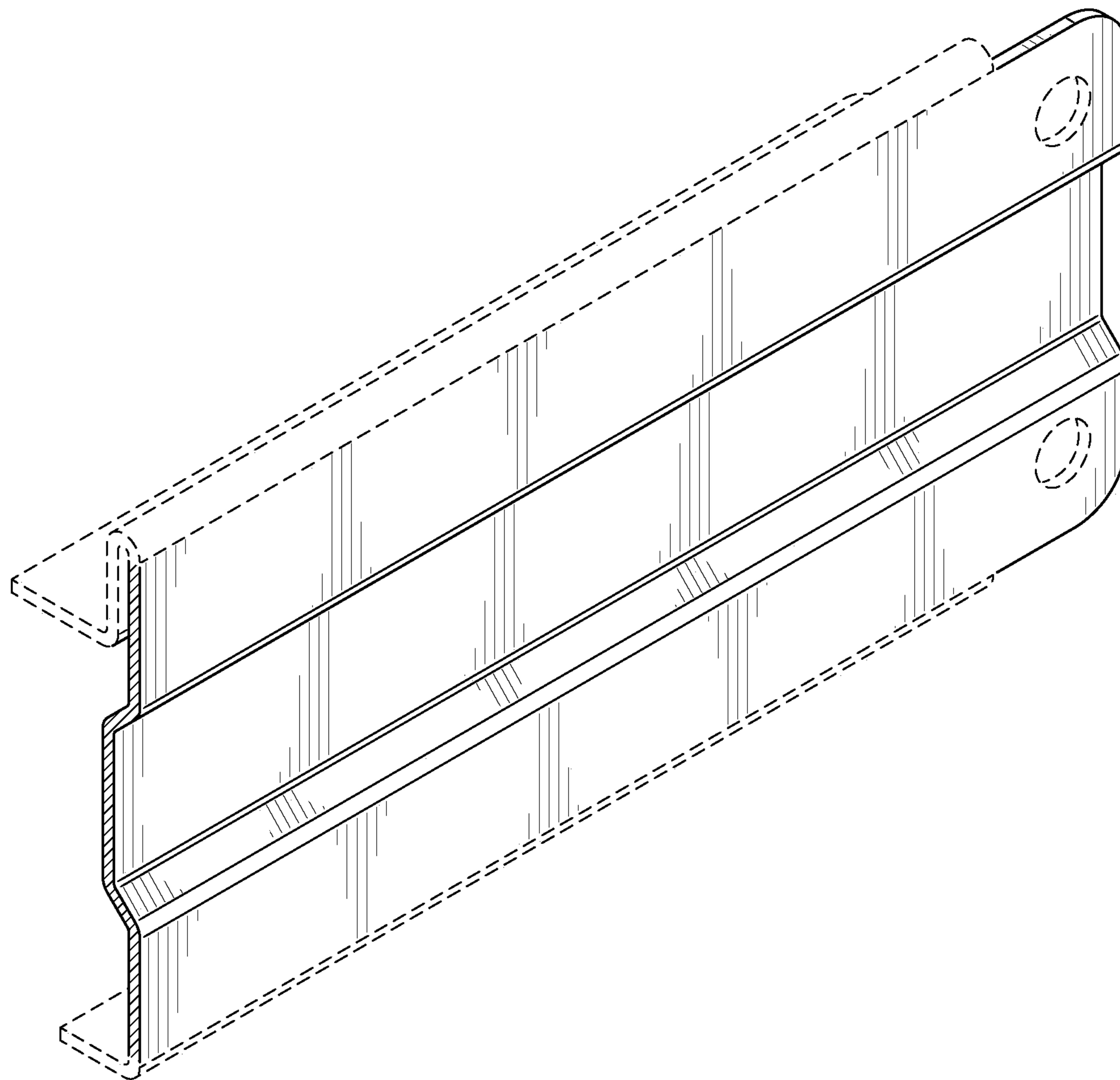


FIG. 11

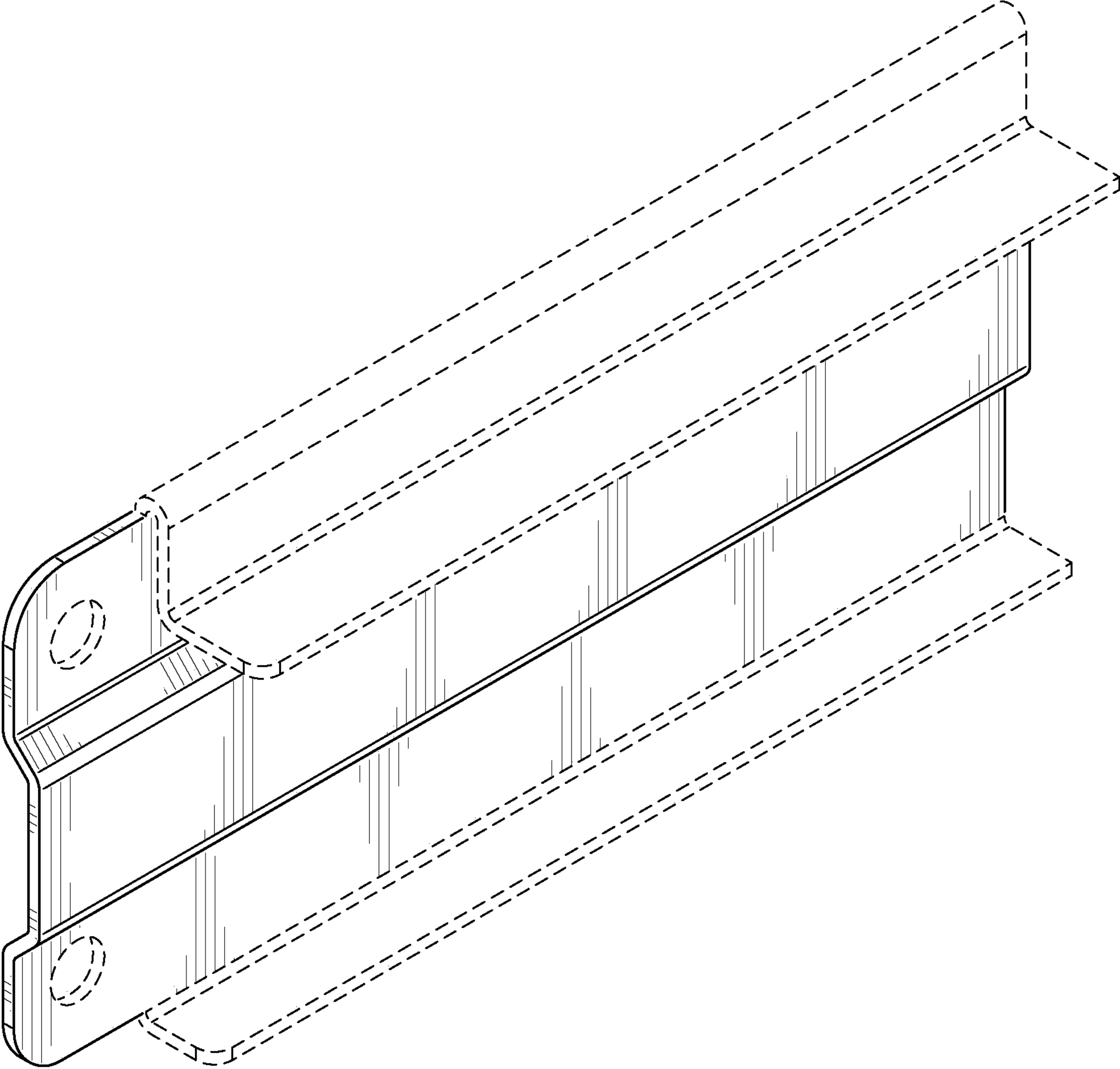


FIG. 12