



US00D906739S

(12) **United States Design Patent** (10) **Patent No.:** **US D906,739 S**
Bakker (45) **Date of Patent:** **** Jan. 5, 2021**

(54) **FILING PEDESTAL**

(71) Applicant: **HNI Technologies Inc.**, Muscatine, IA (US)

(72) Inventor: **Mitchell R. Bakker**, Holland, MI (US)

(73) Assignee: **HNI Technologies Inc.**, Muscatine, IA (US)

(**) Term: **15 Years**

(21) Appl. No.: **29/737,961**

(22) Filed: **Jun. 12, 2020**

Related U.S. Application Data

(62) Division of application No. 29/641,711, filed on Mar. 23, 2018.

(51) **LOC (13) Cl.** **06-06**

(52) **U.S. Cl.**
USPC **D6/671**

(58) **Field of Classification Search**
USPC D6/663, 671, 671.1, 657, 682; D19/101, D19/102, 106, 75, 86, 95

(Continued)

(56) **References Cited**

U.S. PATENT DOCUMENTS

1,471,712 A 10/1923 Friedrich
3,429,632 A * 2/1969 Fiterman A47B 63/00
312/259

(Continued)

FOREIGN PATENT DOCUMENTS

JP 1150476 8/2002
JP 1315782 S 11/2007
JP 1372547 S 11/2009

Primary Examiner — Kelley A Donnelly

(74) *Attorney, Agent, or Firm* — Faegre Drinker Biddle & Reath LLP

(57) **CLAIM**

The ornamental design for a filing pedestal, as shown and described.

DESCRIPTION

FIG. 1 is an isometric view of a first embodiment of a filing pedestal from a first, top perspective.

FIG. 2 is an isometric view of the first embodiment of the filing pedestal from a second, bottom perspective.

FIG. 3 is a front view of the first embodiment of the filing pedestal.

FIG. 4 is a rear view of the first embodiment of the filing pedestal.

FIG. 5 is a left side view of the first embodiment of the filing pedestal.

FIG. 6 is a right side view of the first embodiment of the filing pedestal.

FIG. 7 is a top view of the first embodiment of the filing pedestal.

FIG. 8 is a bottom view of the first embodiment of the filing pedestal.

FIG. 9 is an isometric view of a second embodiment of a filing pedestal from a first, top perspective.

FIG. 10 is an isometric view of the second embodiment of the filing pedestal from a second, bottom perspective.

FIG. 11 is a front view of the second embodiment of the filing pedestal.

FIG. 12 is a rear view of the second embodiment of the filing pedestal.

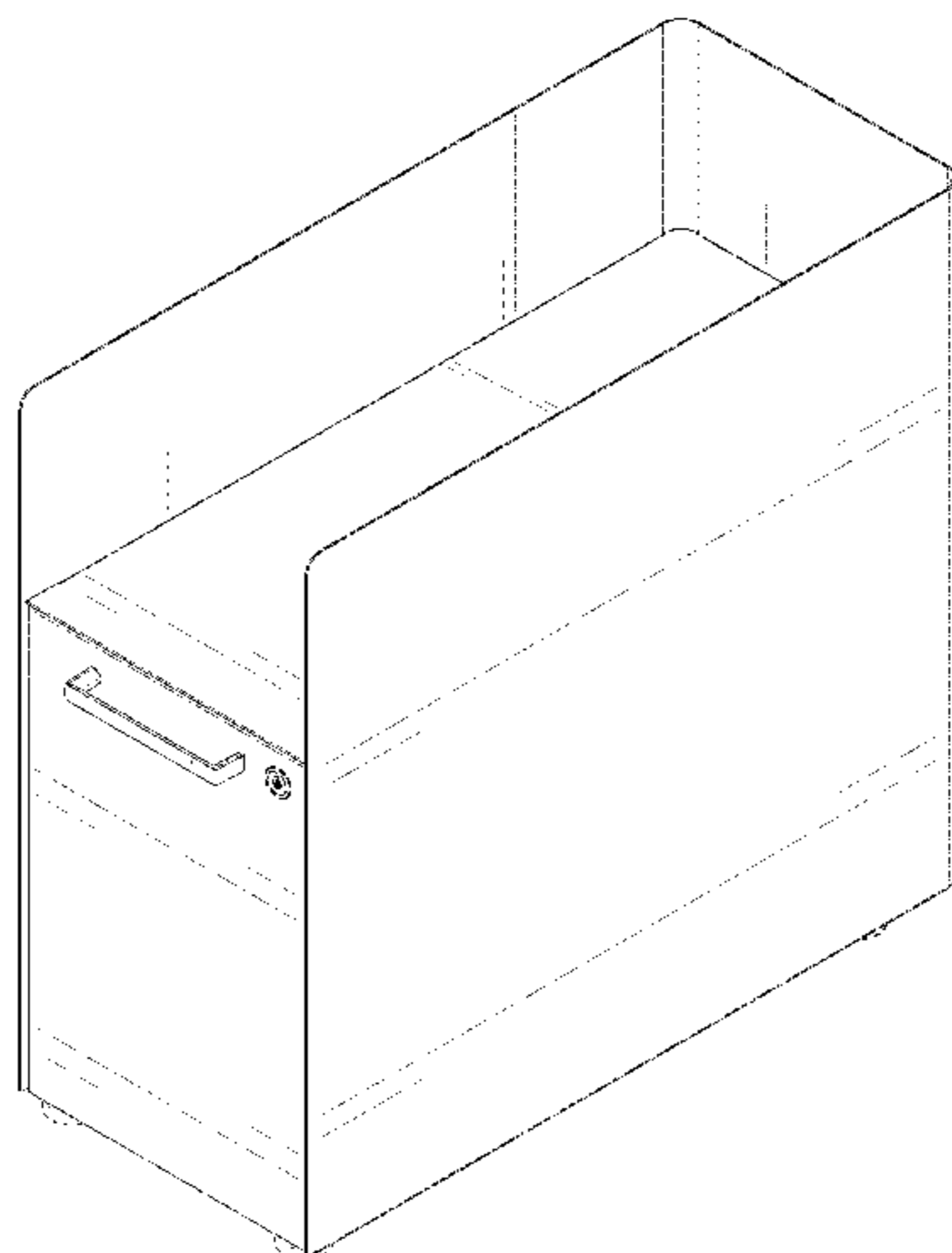
FIG. 13 is a left side view of the second embodiment of the filing pedestal.

FIG. 14 is a right side view of the second embodiment of the filing pedestal.

FIG. 15 is a top view of the second embodiment of the filing pedestal; and,

FIG. 16 is a bottom view of the second embodiment of the filing pedestal.

(Continued)



Features shown as broken lines form no part of the claimed design.

1 Claim, 16 Drawing Sheets

(58) Field of Classification Search

CPC A47F 3/00; A47F 5/0018; A47B 63/02;
A47B 67/02; A47B 47/024; A47B 88/48;
B65G 1/00

See application file for complete search history.

(56) References Cited

U.S. PATENT DOCUMENTS

3,708,709	A	1/1973	Morrison et al.	
4,047,773	A *	9/1977	Semany	A47B 87/0292 312/111
4,232,920	A *	11/1980	Bukaitz	A47B 47/03 312/107
D274,489	S *	7/1984	DeVries	D6/675.1
4,518,208	A	5/1985	Marder	
4,588,237	A	5/1986	Marder	
4,671,580	A *	6/1987	Shiou	A47B 47/03 312/265.5
4,712,844	A *	12/1987	Fry	F16B 12/18 312/257.1
D296,166	S *	6/1988	Hills	D6/671.1
4,790,610	A	12/1988	Welch et al.	
D328,824	S *	8/1992	Bellini	312/225
5,199,774	A *	4/1993	Hedinger	E05B 65/466 312/219

D341,737	S *	11/1993	Shepherd	D6/671.1
5,486,042	A	1/1996	Heisler et al.	
D384,525	S *	10/1997	McBrayer	D6/671.1
D387,224	S *	12/1997	Dunlap, Jr.	D6/671.1
5,975,658	A	11/1999	Verbeek et al.	
D419,333	S	1/2000	Verbeek et al.	
D424,328	S	5/2000	Dominik	
D433,248	S	11/2000	Hellwig et al.	
6,253,399	B1	7/2001	Wagner	
6,435,461	B1	8/2002	Saylor et al.	
6,619,768	B1	9/2003	Northrop et al.	
D514,846	S *	2/2006	McDiarmid	D6/671.1
D537,651	S *	3/2007	Seo	D6/671.1
D588,171	S *	3/2009	Dawson	D15/87
D745,576	S *	12/2015	Sherman	D15/80
D759,995	S *	6/2016	Miller	D6/668.2
9,468,305	B2 *	10/2016	Flora	A47C 17/58
D771,416	S *	11/2016	Miller	D6/668.2
D807,084	S *	1/2018	Waldner	D6/671.1
D813,574	S *	3/2018	Patton	D6/671.1
D824,701	S *	8/2018	Zou	D6/671
D830,740	S *	10/2018	Shah	D6/671.1
D832,625	S *	11/2018	Chiao	D6/671
D858,119	S *	9/2019	Nicoll	D6/334
D871,114	S *	12/2019	Nicoll	D6/671.1
D873,587	S *	1/2020	Nicoll	D6/671
D891,156	S *	7/2020	Sumlin	D6/671.1
2003/0019165	A1	1/2003	Gallant et al.	
2004/0217677	A1	11/2004	Durand et al.	
2008/0036343	A1	2/2008	Wang	
2008/0040982	A1	2/2008	Durand et al.	
2010/0064543	A1	3/2010	Helot	
2012/0091086	A1	4/2012	Gregory et al.	

* cited by examiner

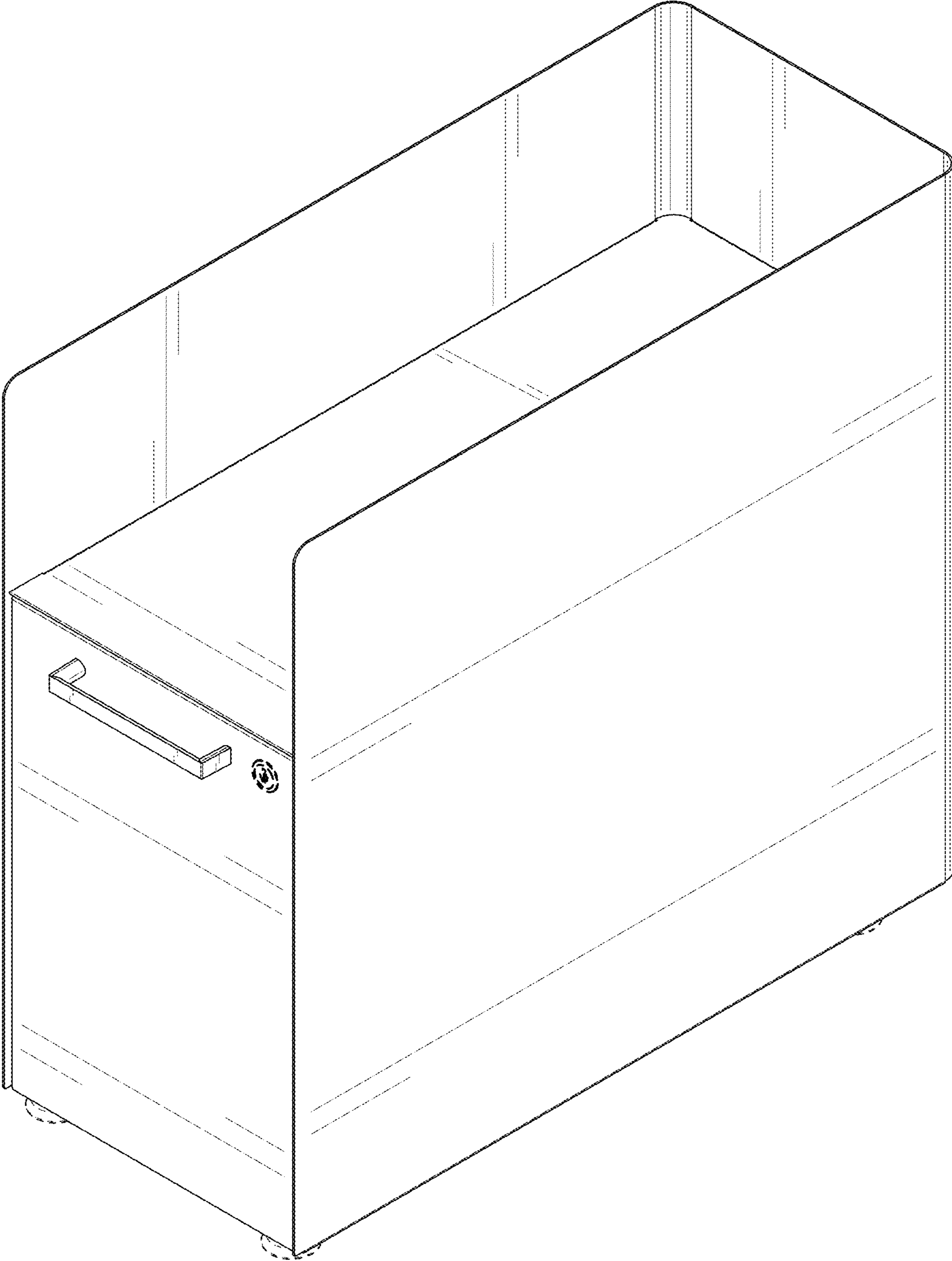


FIG. 1

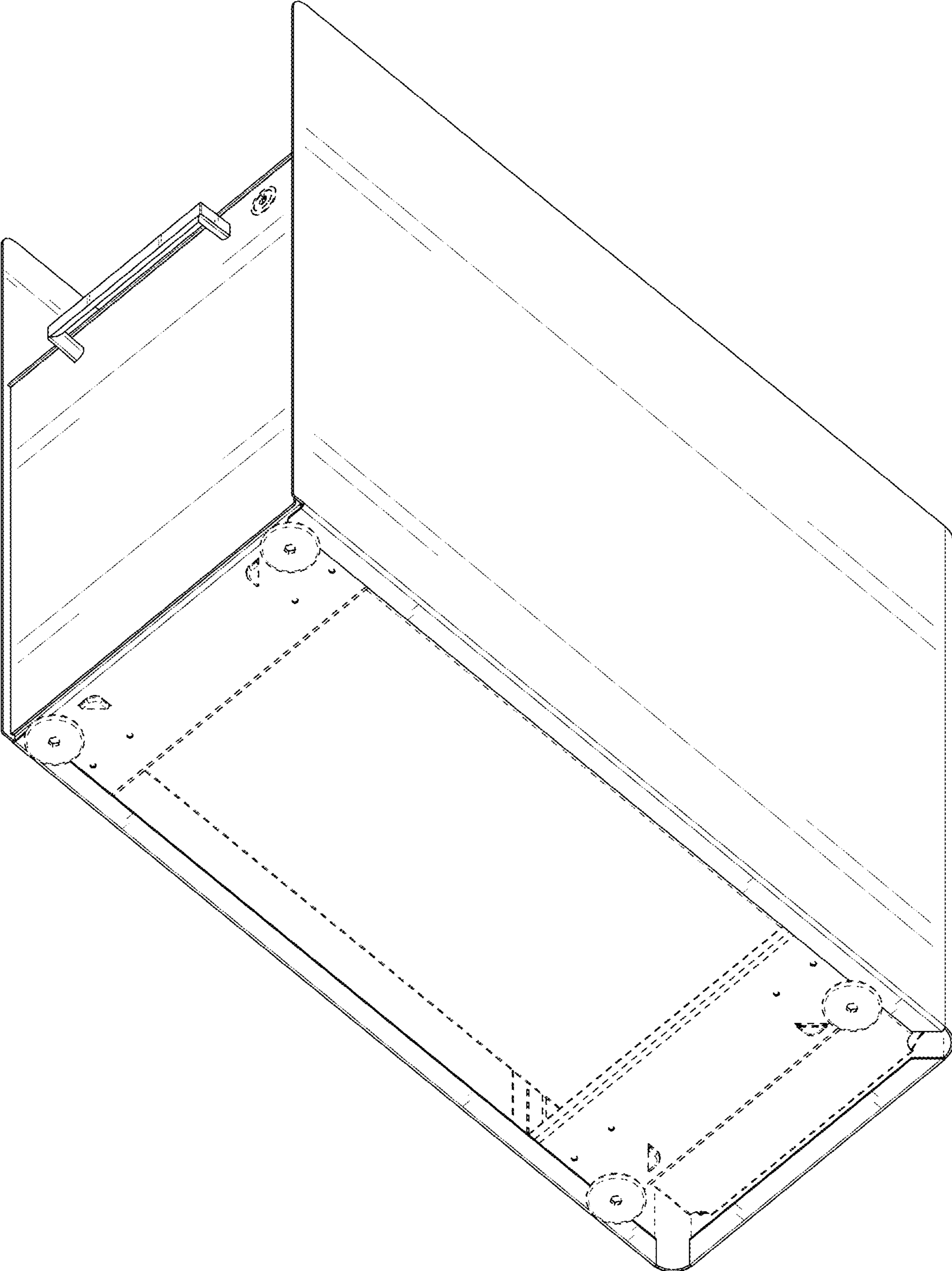


FIG. 2

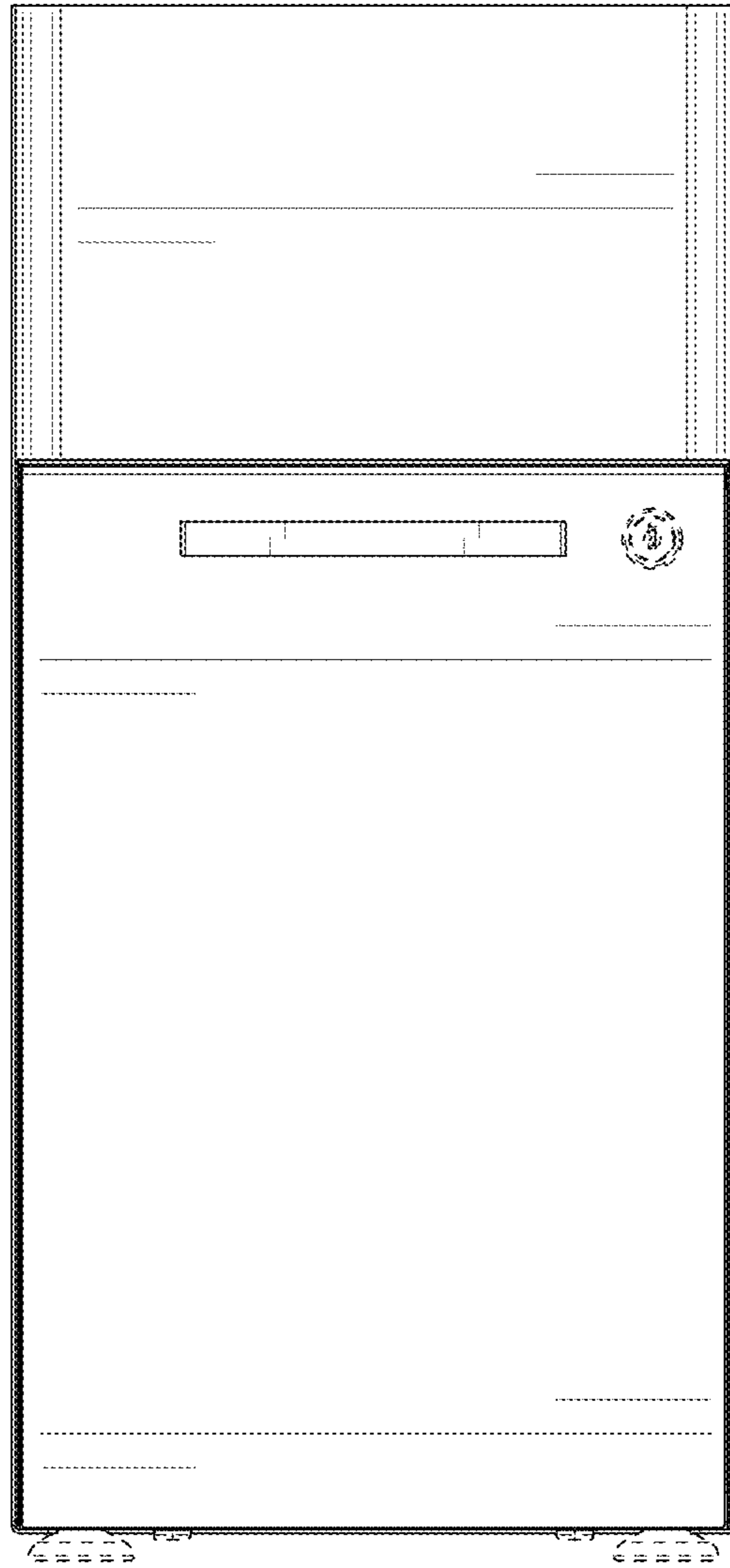


FIG. 3

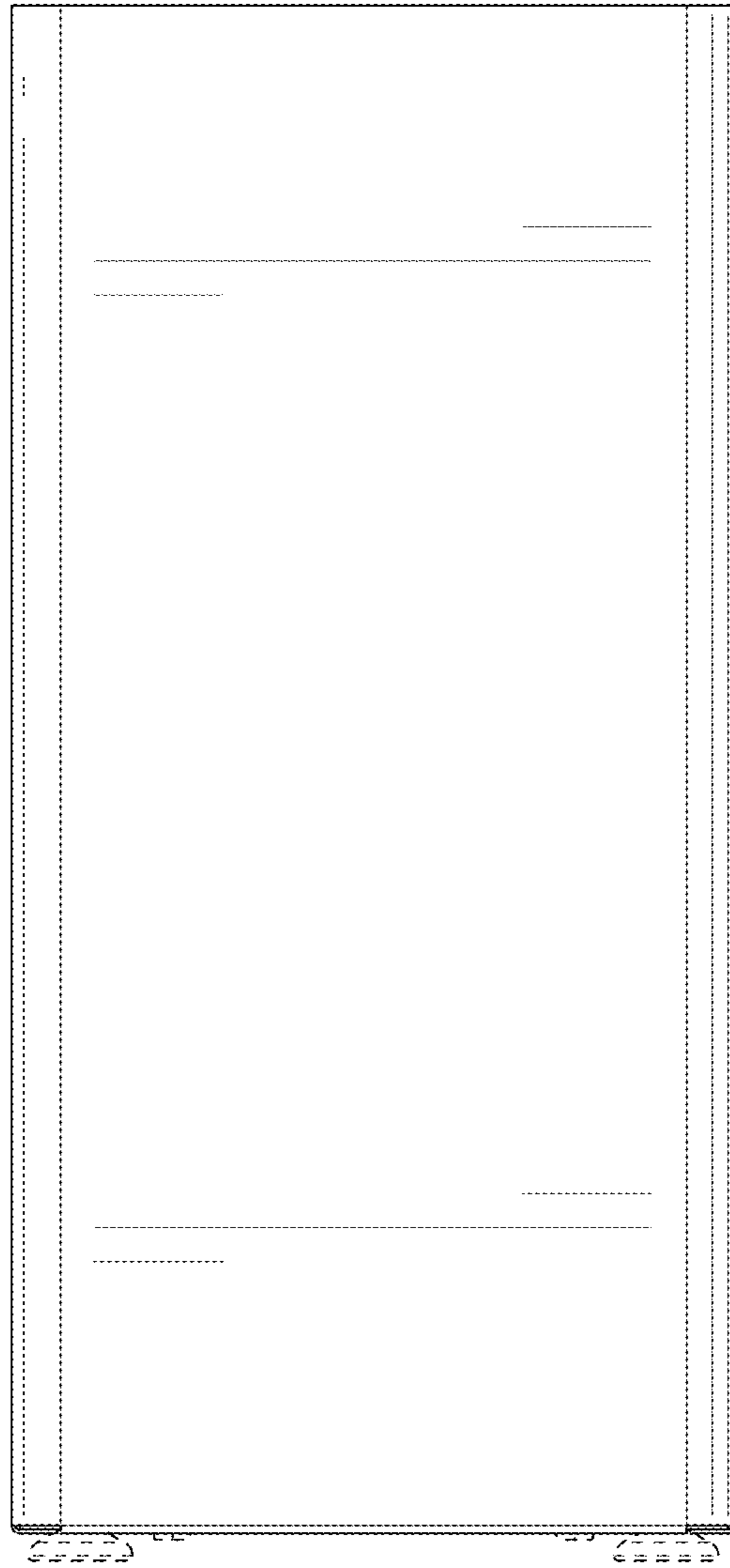


FIG. 4



FIG. 5



FIG. 6

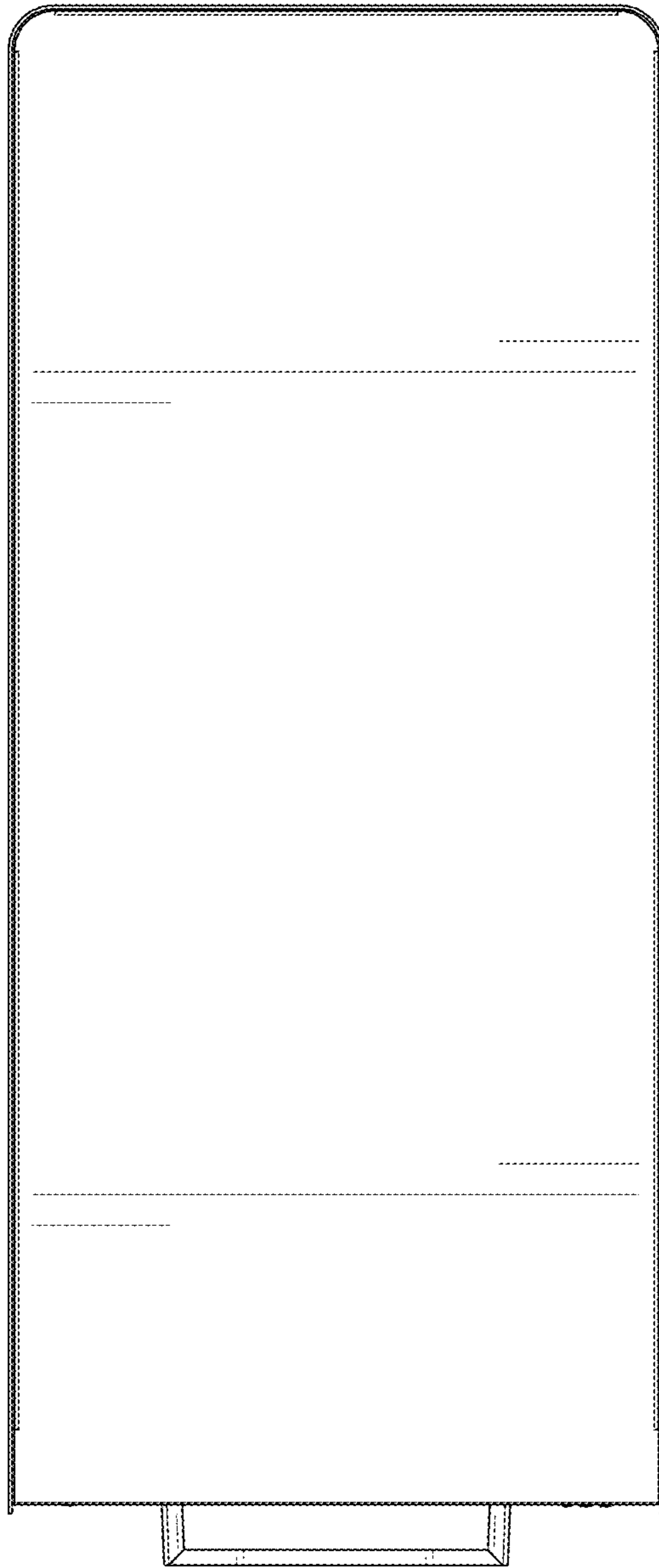


FIG. 7

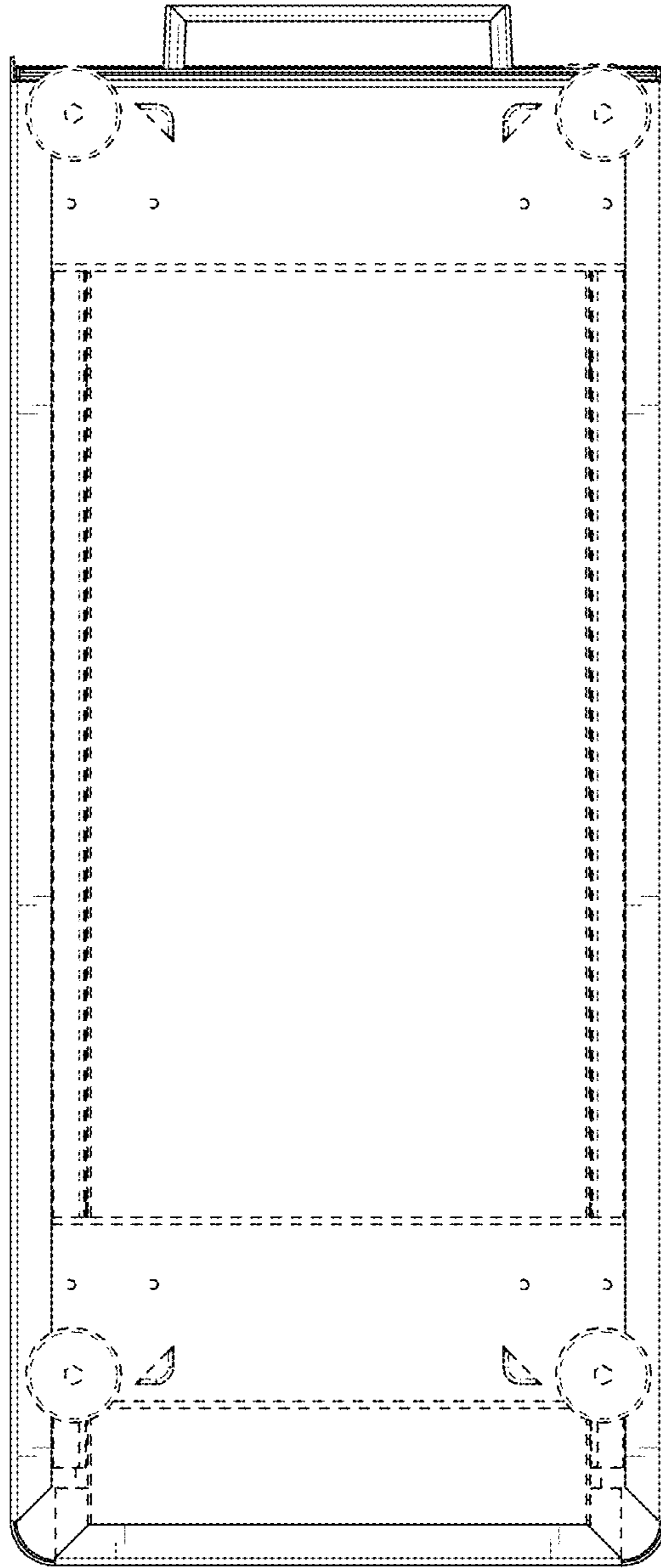


FIG. 8

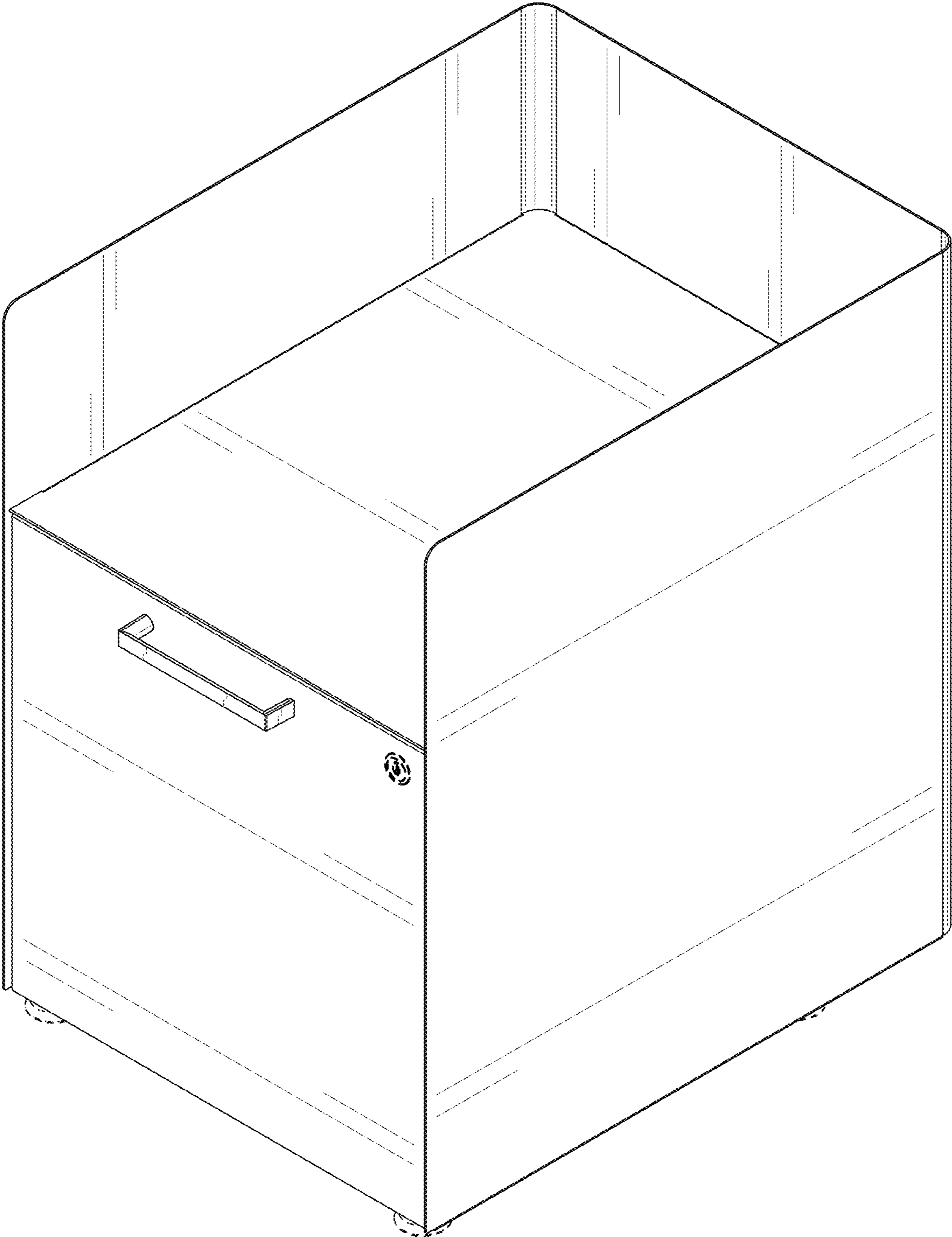


FIG. 9

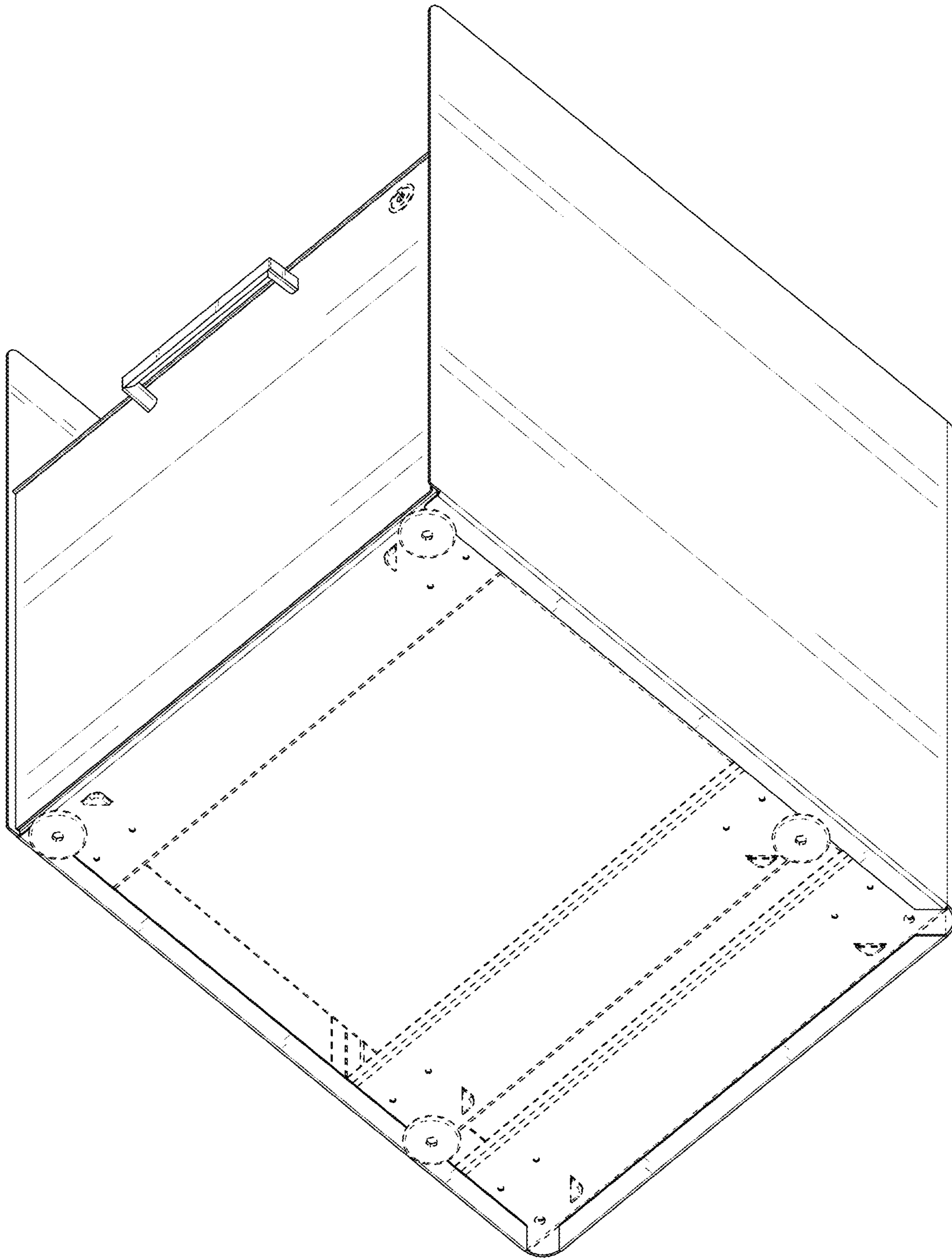


FIG. 10

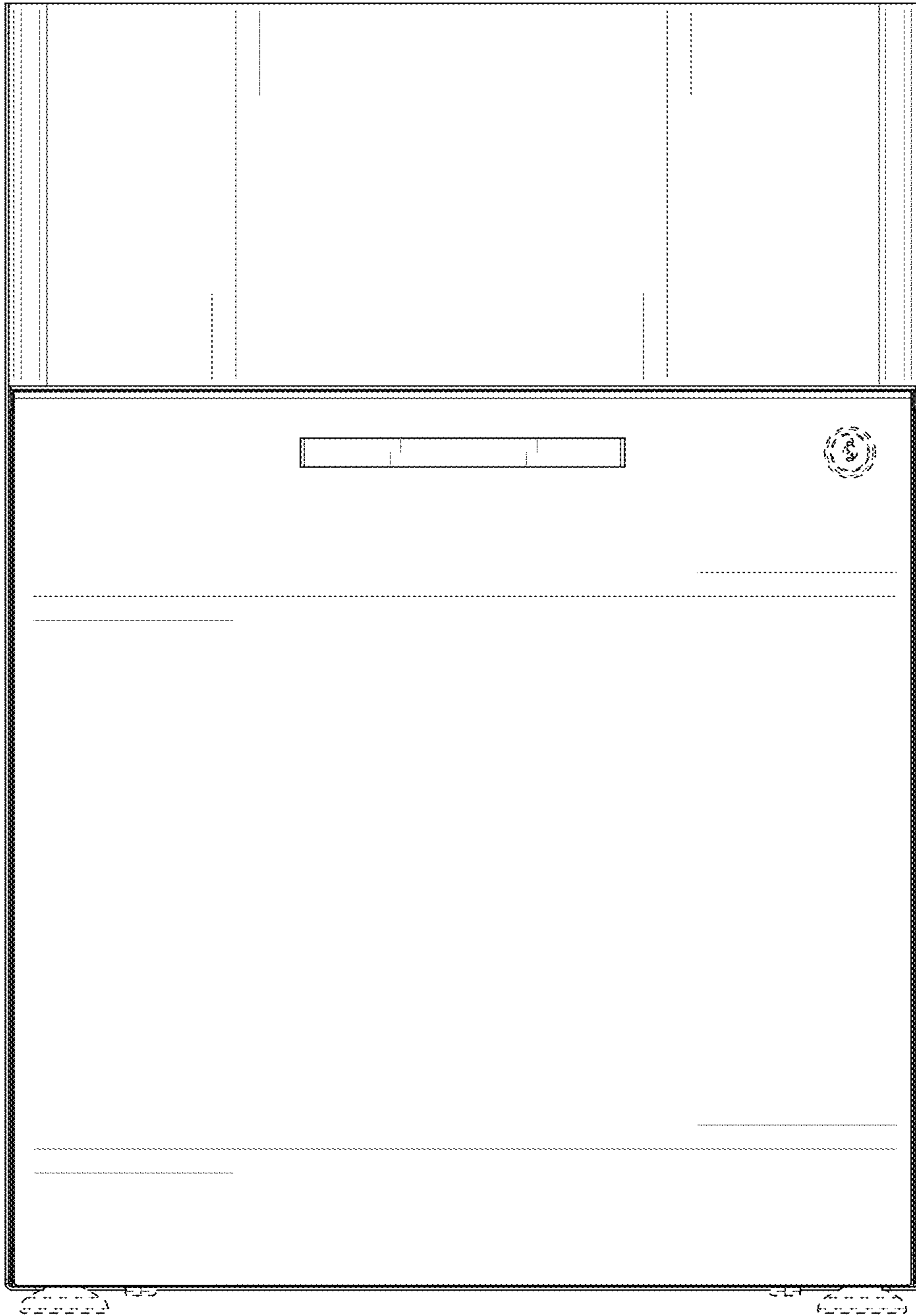


FIG. 11

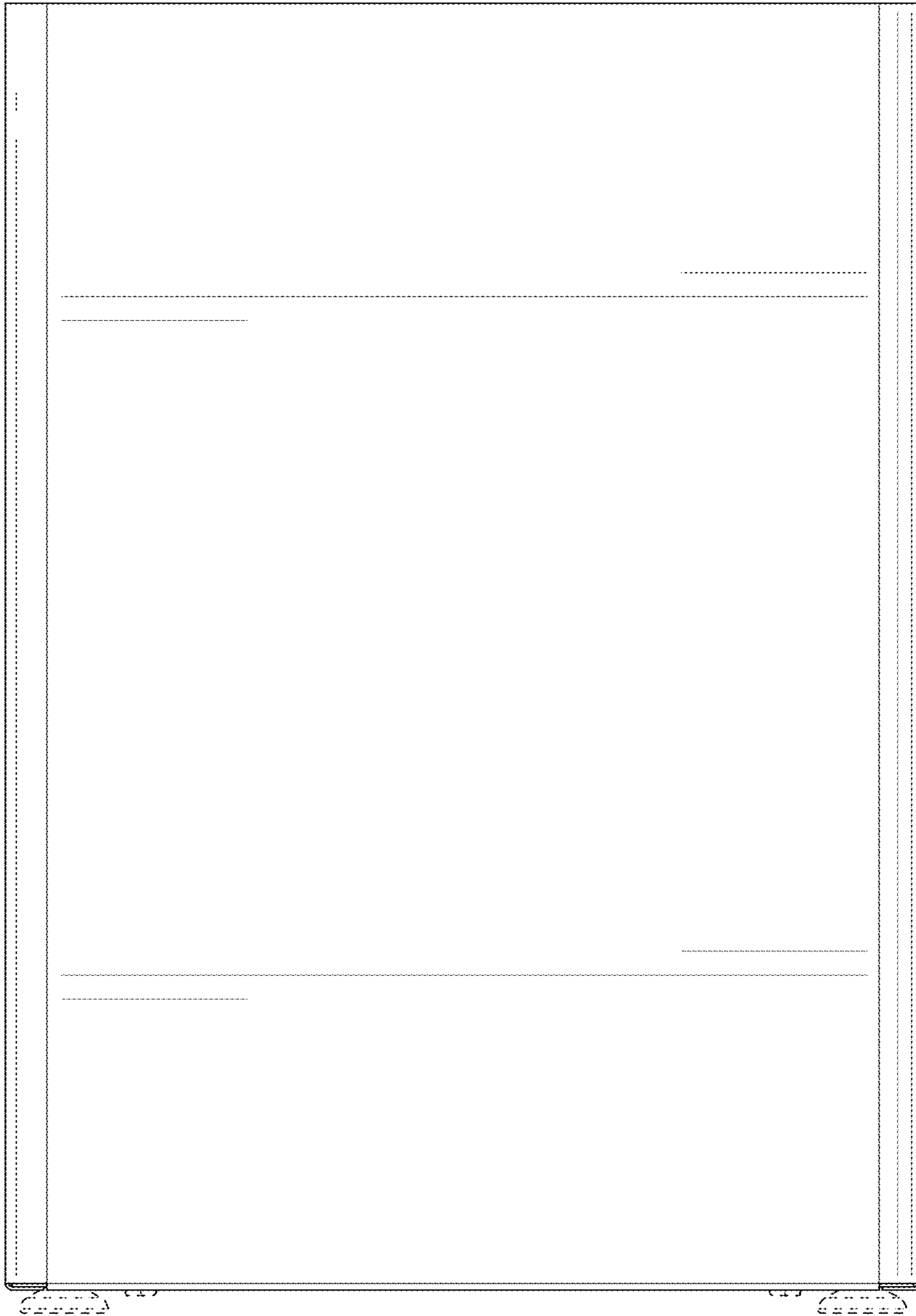


FIG. 12

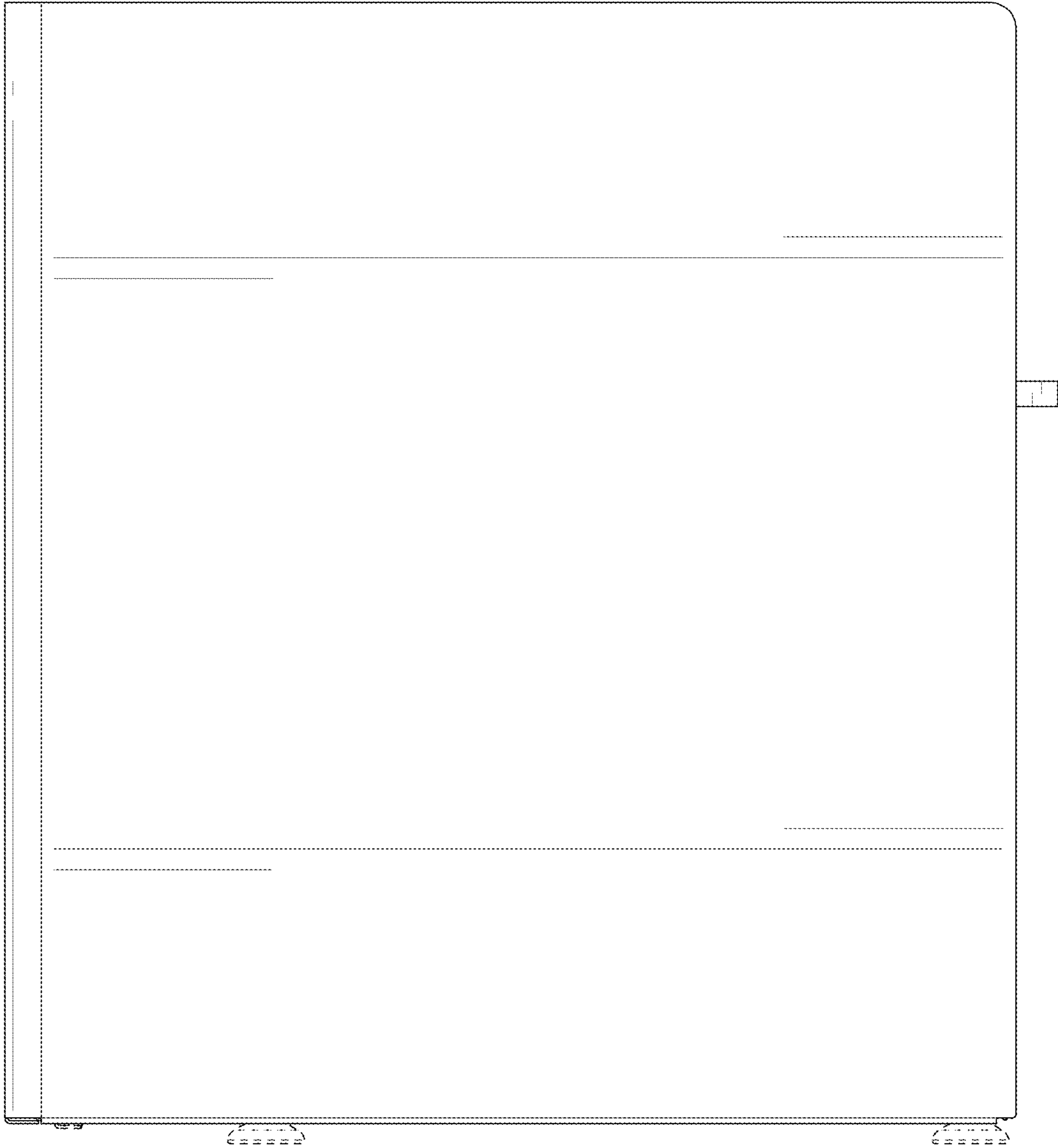


FIG. 13

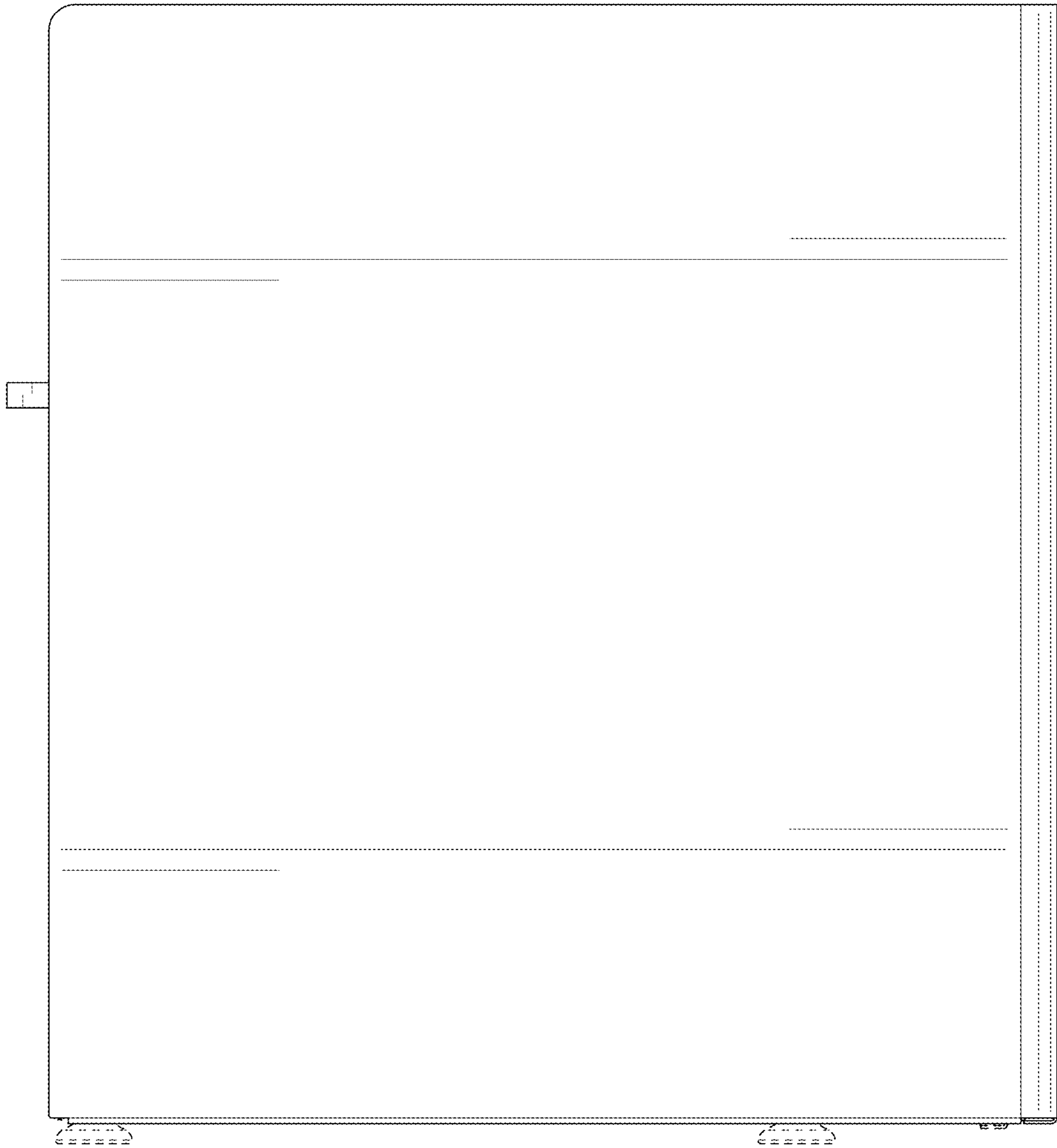


FIG. 14

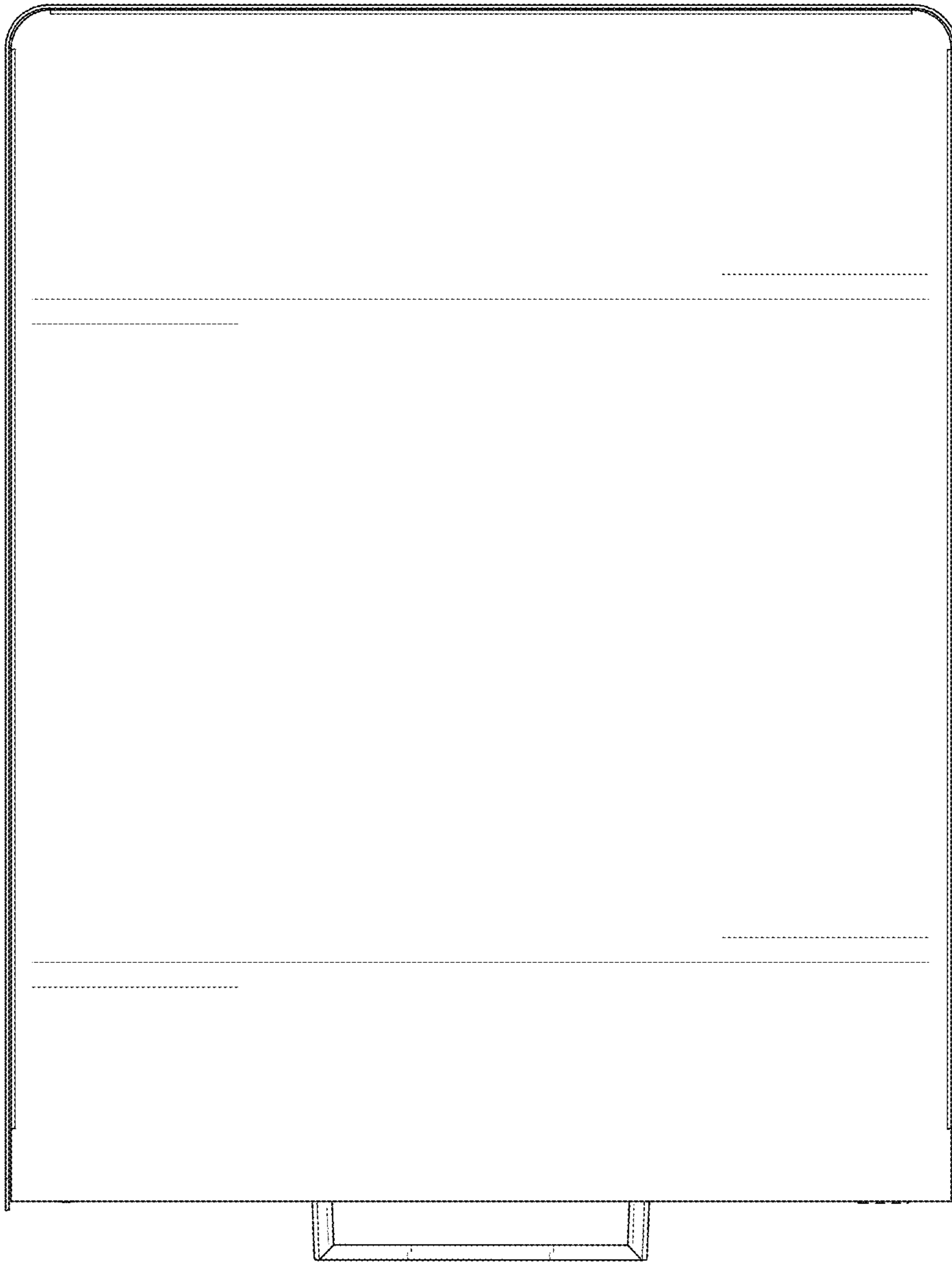


FIG. 15

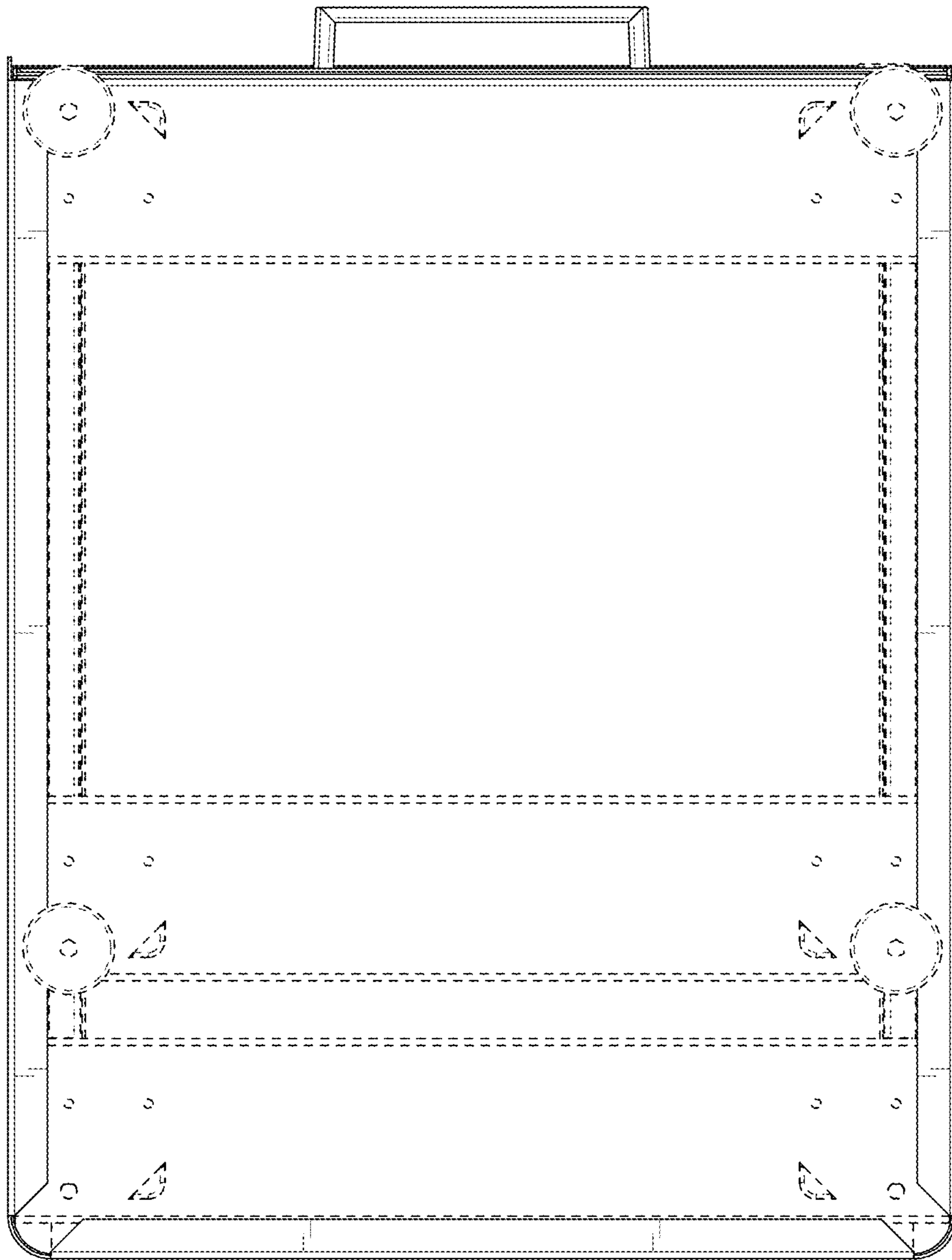


FIG. 16