



US00D906737S

(12) **United States Design Patent**
Hall et al.

(10) **Patent No.:** **US D906,737 S**
(45) **Date of Patent:** **** Jan. 5, 2021**

(54) **BED WITH NEGATIVE SPACE**

DESCRIPTION

- (71) Applicant: **Sonu Sleep Corporation**, Playa del Rey, CA (US)
- (72) Inventors: **Bradley Hall**, Los Angeles, CA (US); **Stason Strong**, Playa Del Rey, CA (US)
- (73) Assignee: **SONU SLEEP CORPORATION**, Playa Del Rey, CA (US)
- (**) Term: **15 Years**
- (21) Appl. No.: **29/741,311**
- (22) Filed: **Jul. 10, 2020**
- (51) **LOC (13) Cl.** **06-09**
- (52) **U.S. Cl.**
USPC **D6/605**
- (58) **Field of Classification Search**
USPC D6/582-583, 587-592, 595-609,
D6/617-622; D21/803-809; D24/183
(Continued)

FIG. 1 is a perspective view of the top side of our bed with negative space;
 FIG. 2 is a perspective view of the bottom side thereof;
 FIG. 3 is an elevation view from a first side of the bed thereof;
 FIG. 4 is an elevation view from a second side of the bed thereof;
 FIG. 5 is an elevation view from the head end of the bed thereof;
 FIG. 6 is an elevation view from the foot end of the bed thereof;
 FIG. 7 is a plan view from the top of the bed thereof;
 FIG. 8 is a plan view from the bottom of the bed thereof;
 FIG. 9 is a cross sectional view from the head end of the bed taken at line 9-9 shown in FIG. 7; and
 FIG. 10 is a cross sectional view from the first side of the bed taken at line 10-10 in FIG. 7.
 FIG. 11 is a perspective view of the top side of another embodiment of our bed with negative space;
 FIG. 12 is a perspective view of the bottom side thereof;
 FIG. 13 is an elevation view from a first side of the bed thereof;
 FIG. 14 is an elevation view from a second side of the bed thereof;
 FIG. 15 is an elevation view from the head end of the bed thereof;
 FIG. 16 is an elevation view from the foot end of the bed thereof;
 FIG. 17 is a plan view from the top of the bed thereof;
 FIG. 18 is a plan view from the bottom of the bed thereof;
 FIG. 19 is a cross sectional view from the head end of the bed taken at line 9-9 shown in FIG. 17; and,
 FIG. 20 is a cross sectional view from the first side of the bed taken at line 10-10 in FIG. 17.
 The broken lines are for environmental purposes only and form no part of the claimed design. The cross-hatched lines shown in the cross-sectional views are only to indicate the cross-sectional views, and the material inside the bed forms no part of the claimed design.

(56) **References Cited**

U.S. PATENT DOCUMENTS

- 2,810,920 A 10/1957 Karruth
 - 3,874,010 A 4/1975 Geary
- (Continued)

FOREIGN PATENT DOCUMENTS

- GB 1518845 7/1978
- WO 9524848 9/1995

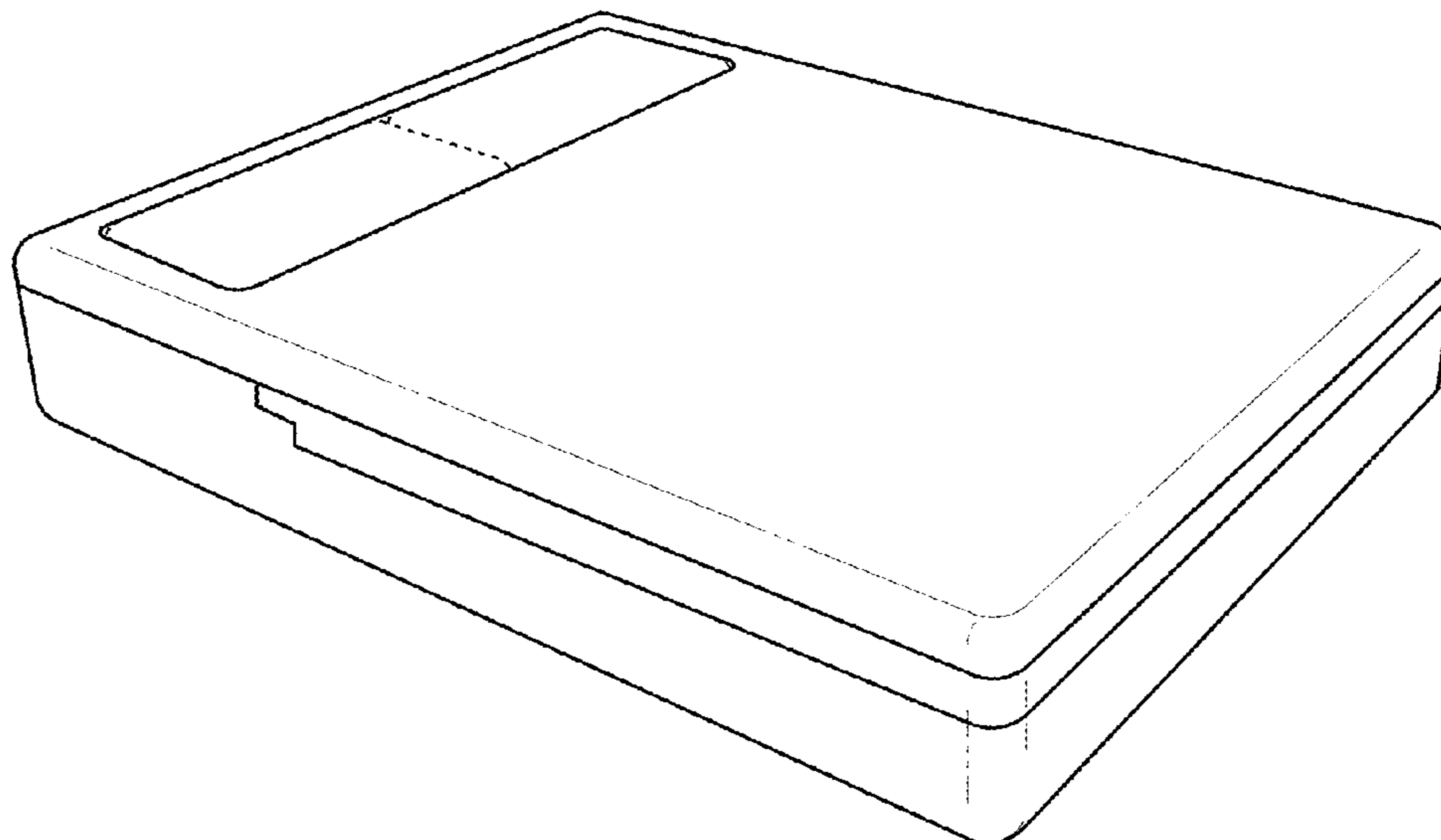
Primary Examiner — Jennifer L Rempfer

(74) *Attorney, Agent, or Firm* — Cisló & Thomas, LLP

(57) **CLAIM**

We claim the ornamental design for a bed with negative space, as shown and described.

1 Claim, 10 Drawing Sheets



(58) **Field of Classification Search**

CPC A47G 9/00; A47G 2009/001; A47G
 2009/002; A47G 2009/003; A47G
 2009/005; A47G 2009/006; A47G 9/02;
 A47G 9/0207; A47G 9/0215; A47G
 9/0223; A47G 9/023; A47G 9/0238;
 A47G 9/0246; A47G 9/0253; A47G
 9/0261; A47G 9/06; A47G 9/062; A47G
 9/066; A47G 9/068; A47G 9/08; A47G
 2009/0276; A47G 9/0284; A47G 9/0292;
 A47G 9/04; A47G 9/10; A47G 9/146;
 A47G 9/148; A47G 9/14; A47G 9/15

See application file for complete search history.

(56)

References Cited

U.S. PATENT DOCUMENTS

4,290,155	A	9/1981	Hanson
4,536,906	A	8/1985	Vamdell et al.
4,947,500	A	8/1990	Seiler
D313,721	S	1/1991	Parker
5,107,558	A	4/1992	Luck
5,129,115	A	7/1992	Higgins et al.
D337,686	S	7/1993	Parker

5,247,714	A	9/1993	Lipps	
D357,595	S	4/1995	Roschacher	
D364,464	S	11/1995	Gigante et al.	
D396,771	S	8/1998	Iannuzzi	
6,105,187	A	8/2000	Gnjatovic	
D479,082	S	9/2003	Daughtery et al.	
D509,981	S	9/2005	Owen	
D566,448	S	4/2008	Ridder	
D618,354	S	6/2010	Francucci et al.	
7,941,883	B2	5/2011	Moule et al.	
8,555,437	B2 *	10/2013	Gorovitz A61G 13/121 5/613
9,386,859	B2	7/2016	Schultz	
9,545,157	B2	1/2017	Smith	
D793,108	S	8/2017	Griffin	
10,258,164	B2 *	4/2019	Shi A47C 27/22
10,548,789	B2	2/2020	Dyevich et al.	
10,820,718	B1 *	11/2020	Hall A47G 9/0238
2006/0096034	A1	5/2006	Tucci	
2009/0217459	A1	9/2009	Rudolph	
2012/0192357	A1 *	8/2012	Melsen A47C 31/123 5/722
2015/0026895	A1 *	1/2015	Geelen A47C 27/088 5/699
2016/0174726	A1 *	6/2016	Smith A47C 27/18 5/735

* cited by examiner

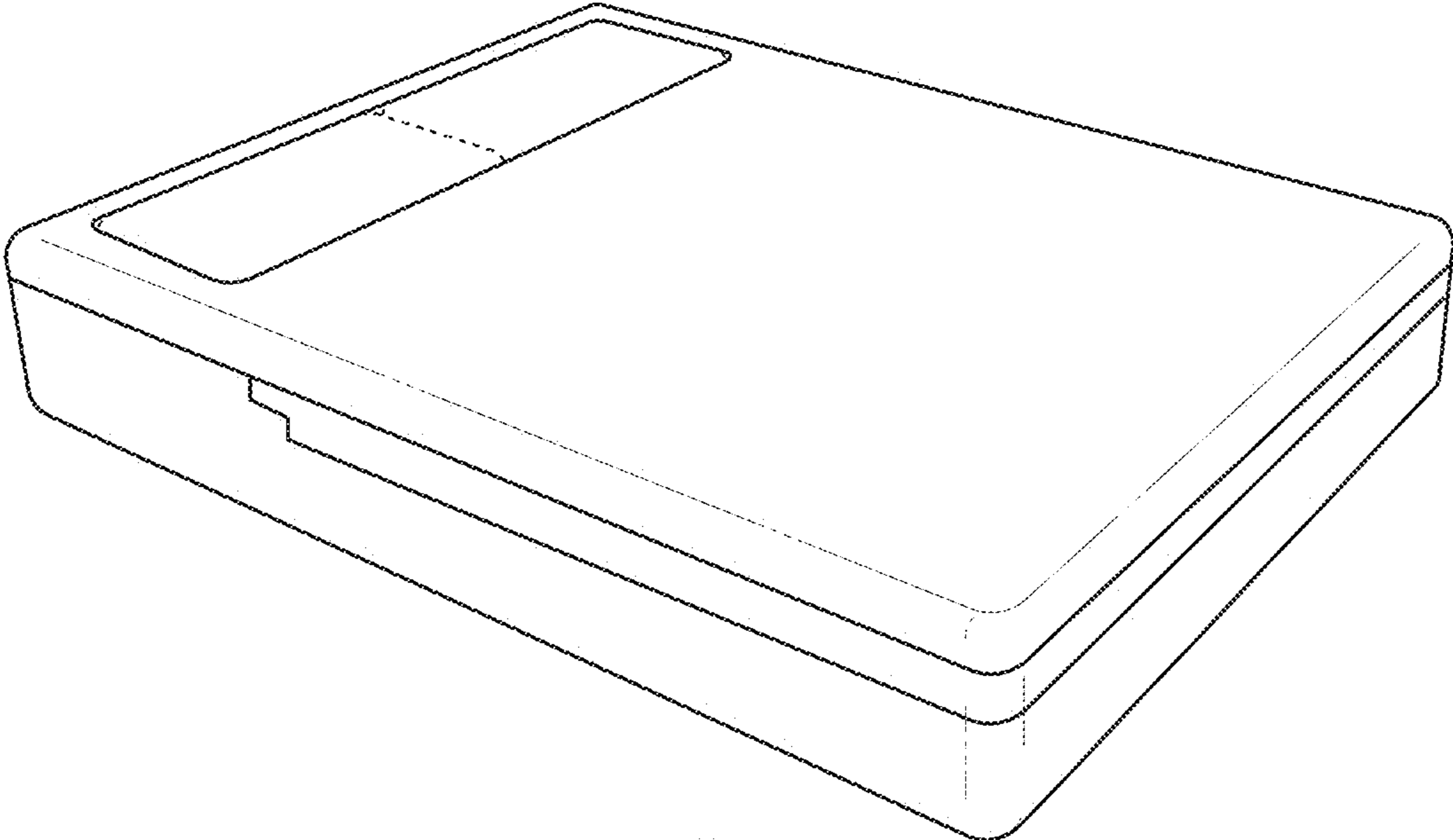


Fig. 1

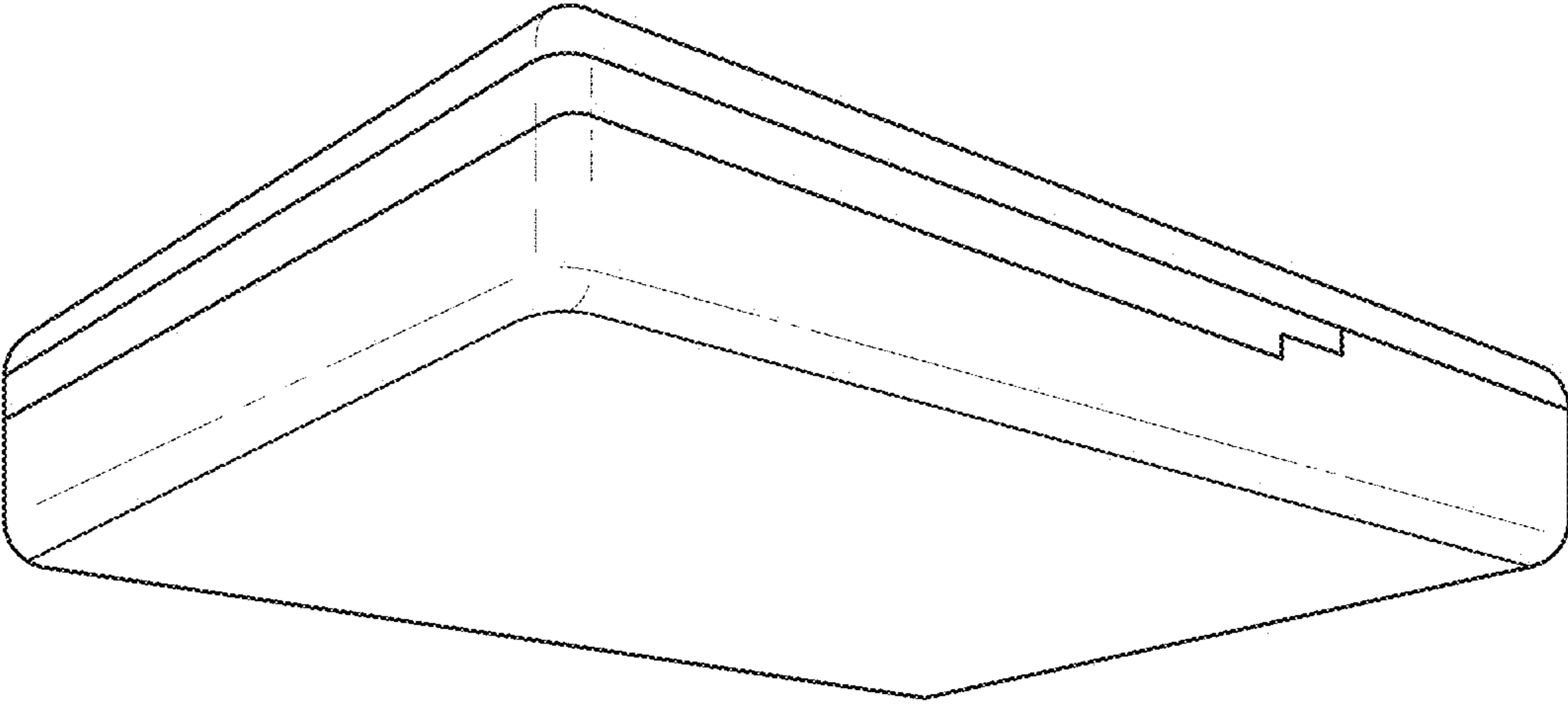


Fig. 2

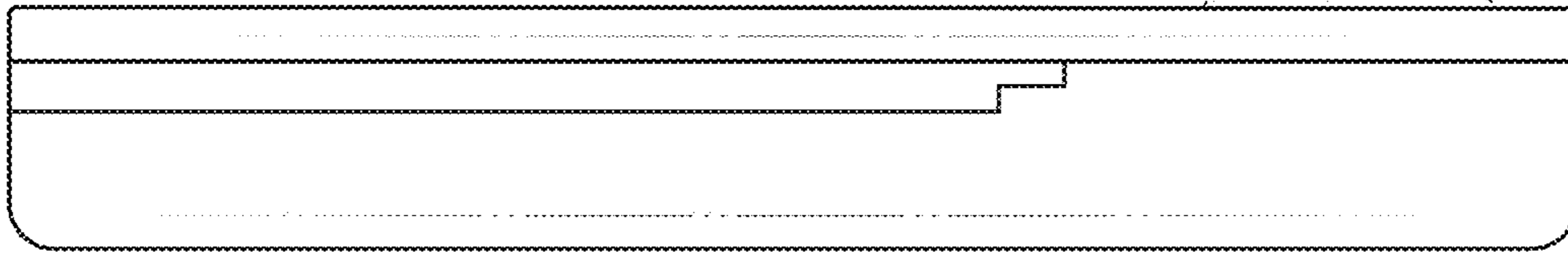


Fig. 3

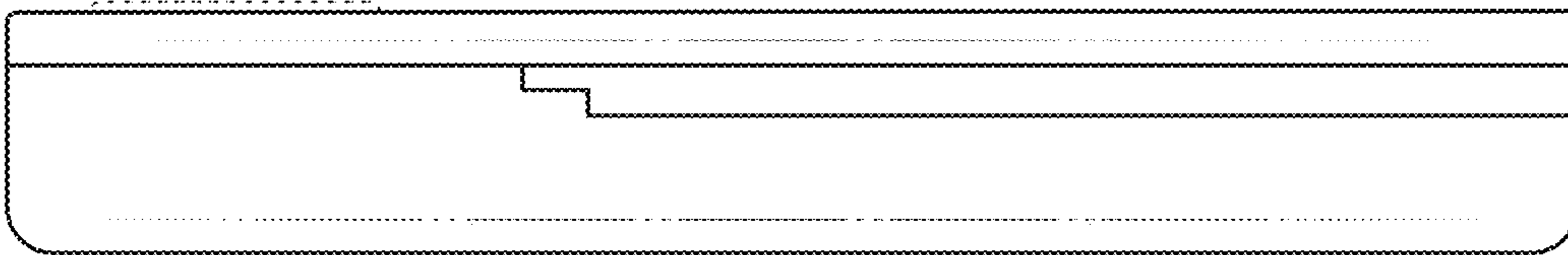


Fig. 4

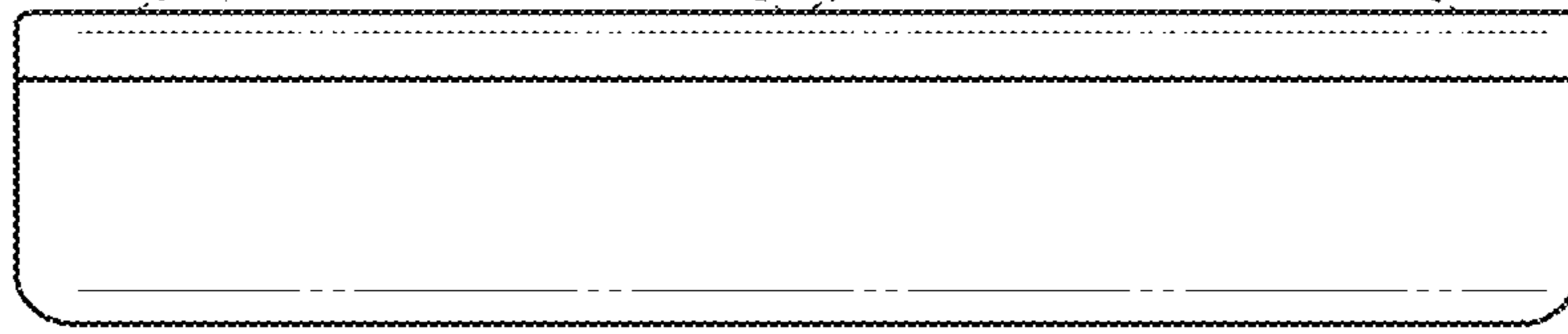


Fig. 5

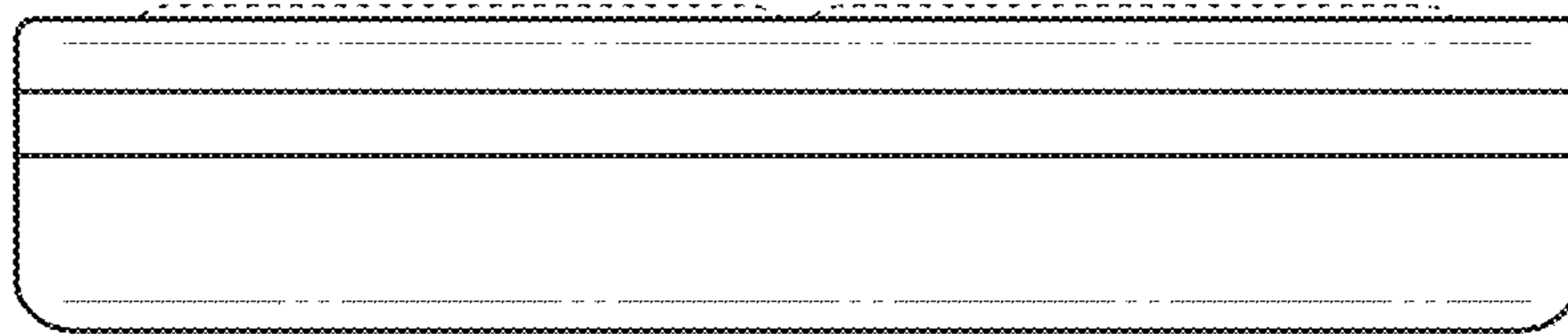


Fig. 6

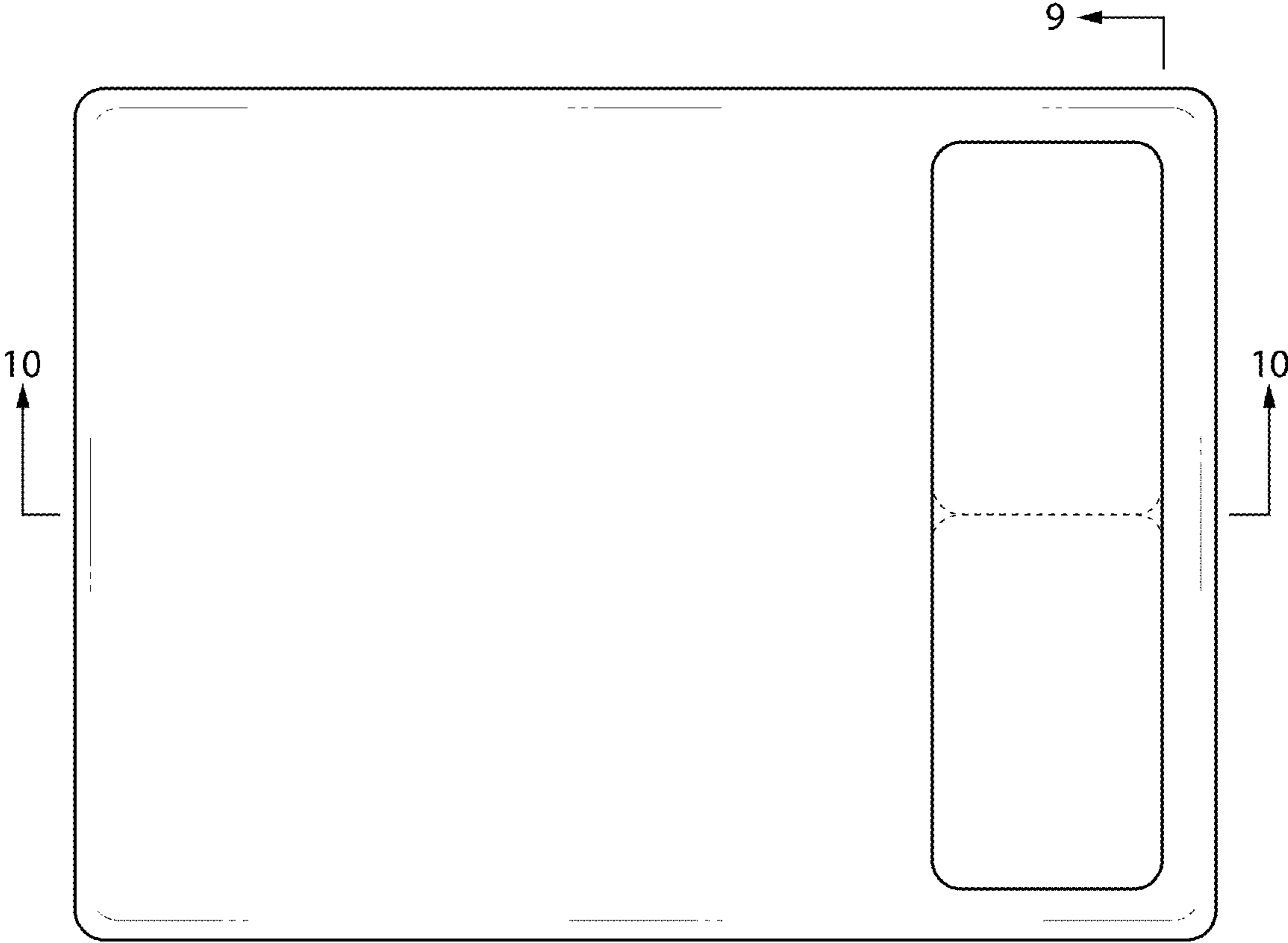


Fig. 7

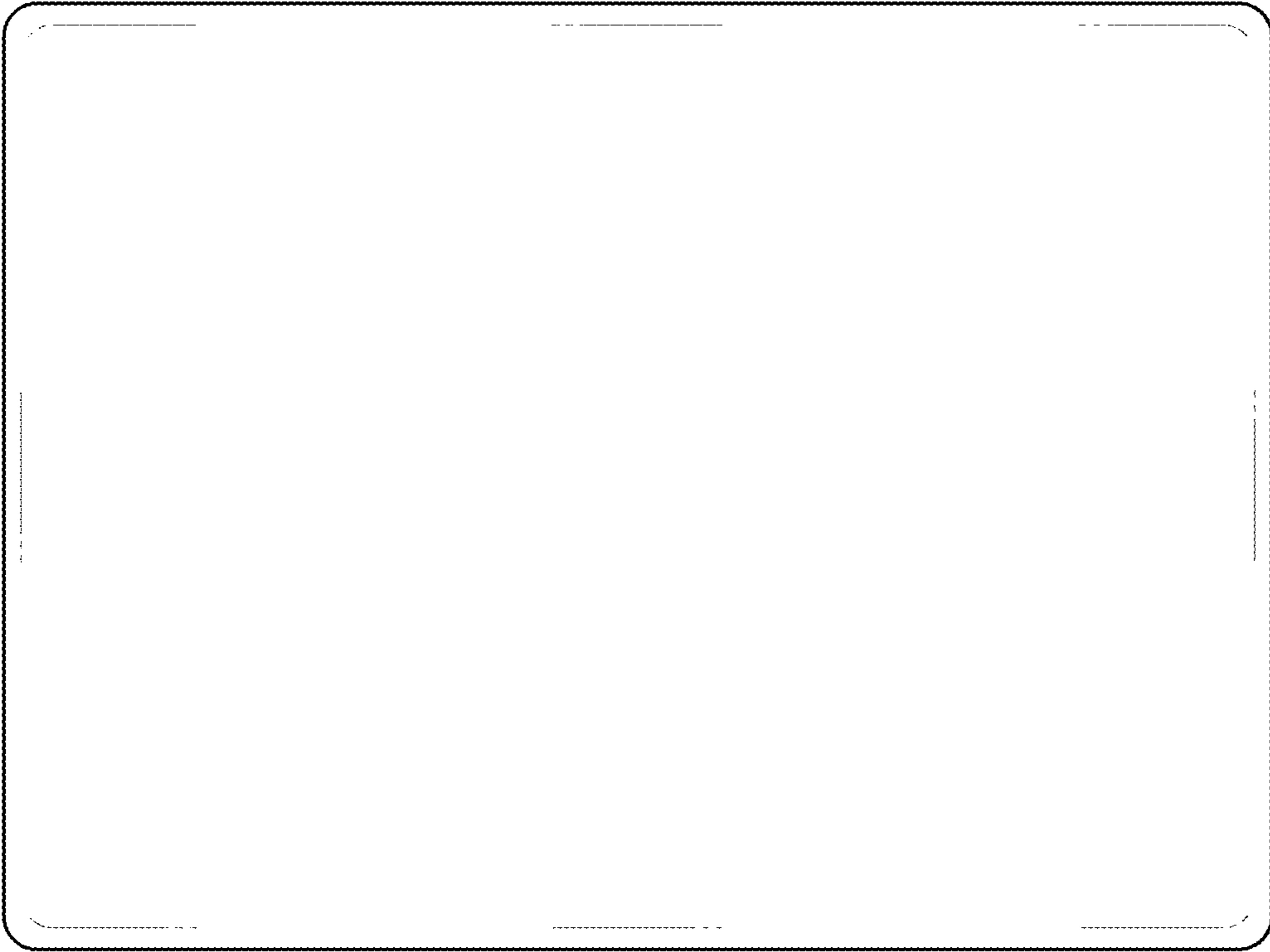


Fig. 8

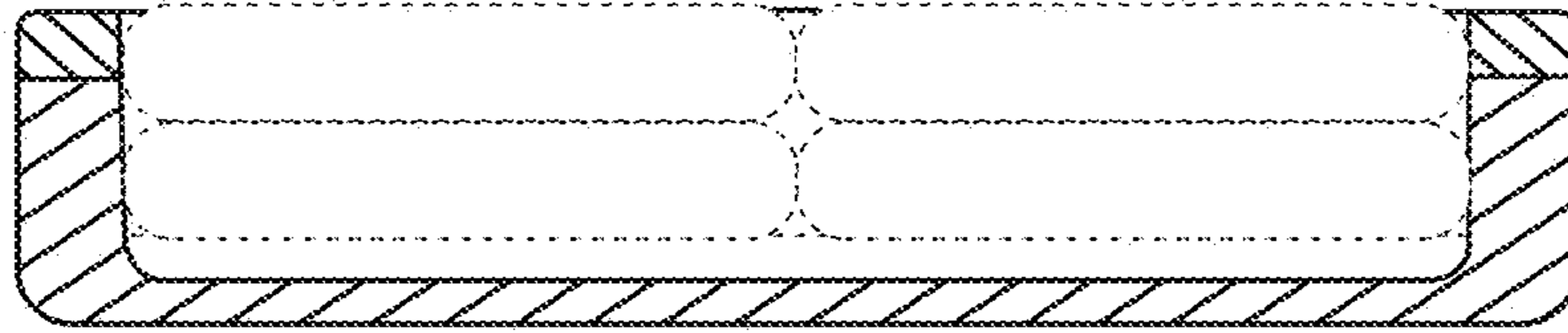


Fig. 9

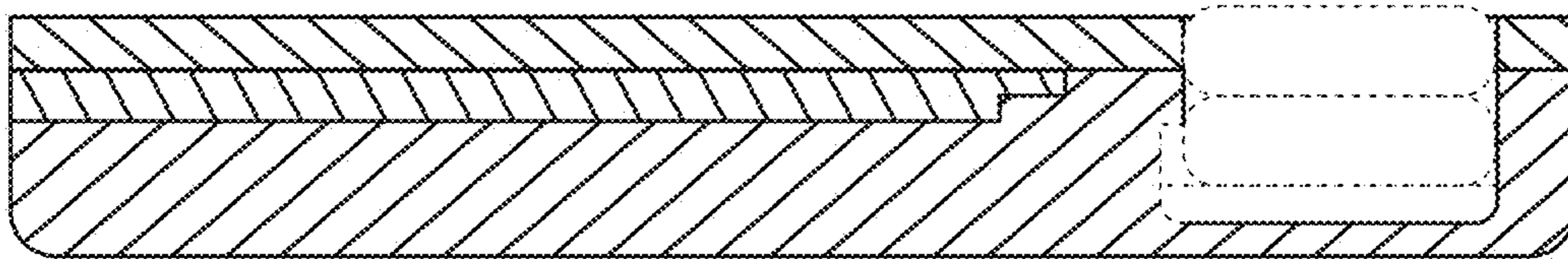


Fig. 10

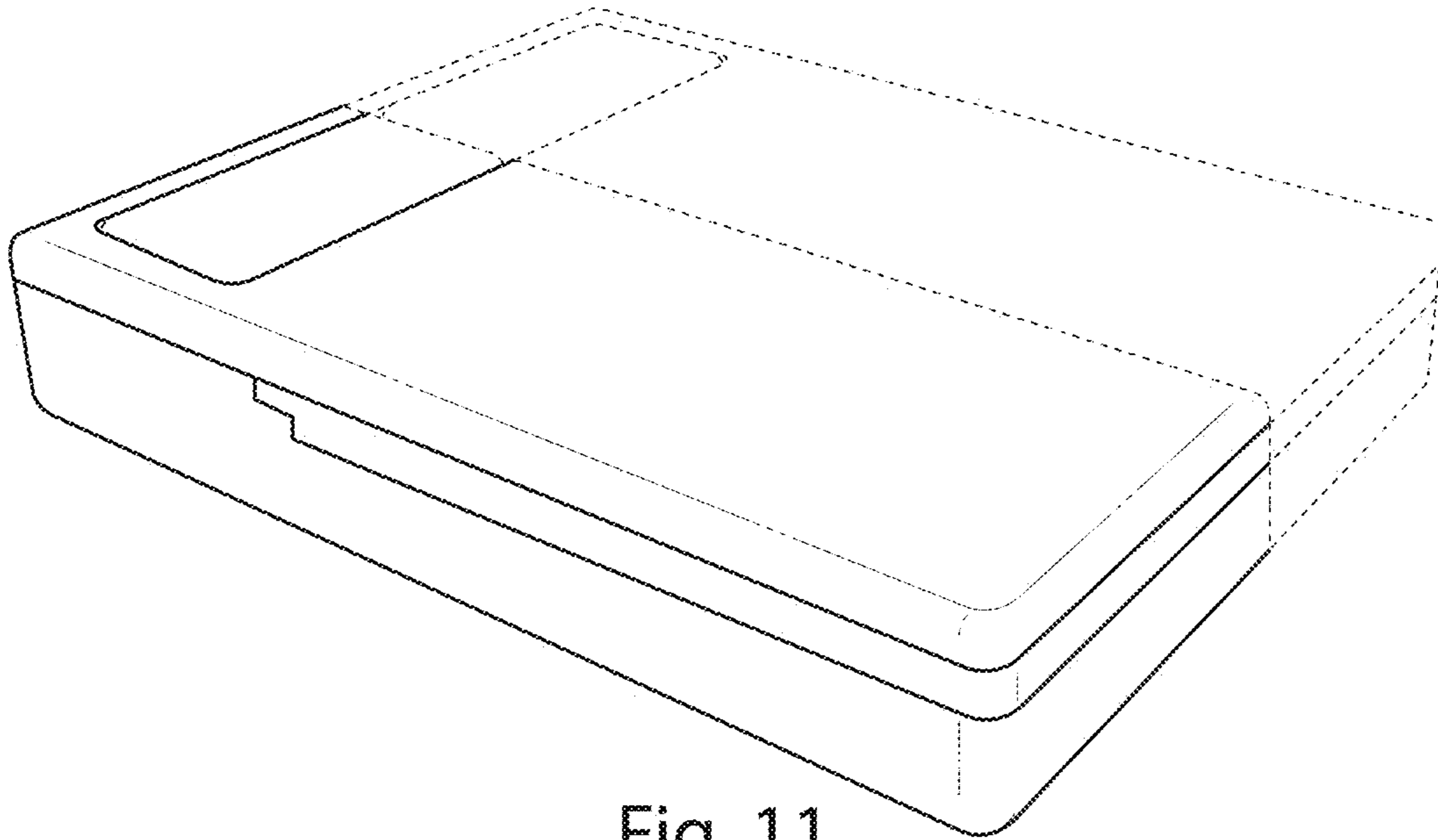


Fig. 11

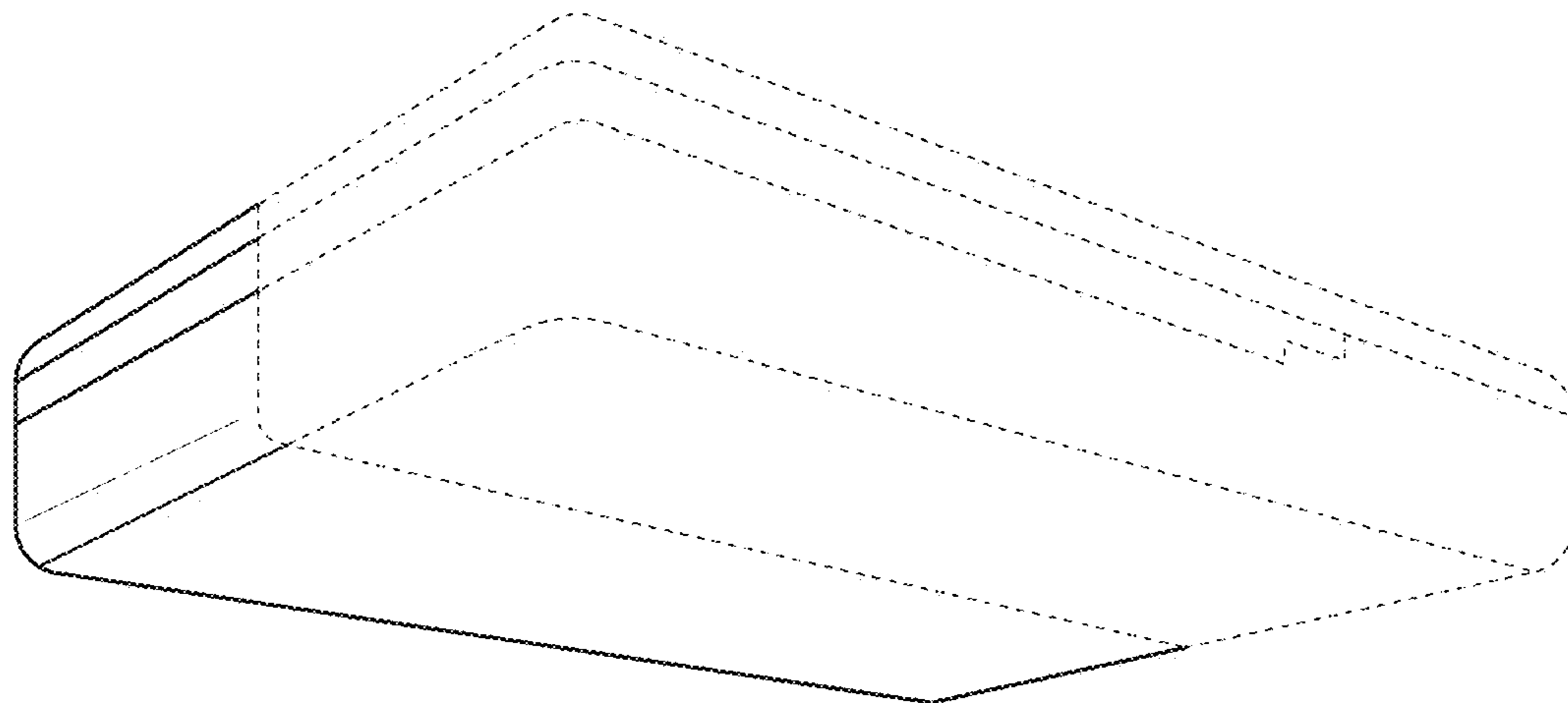


Fig. 12

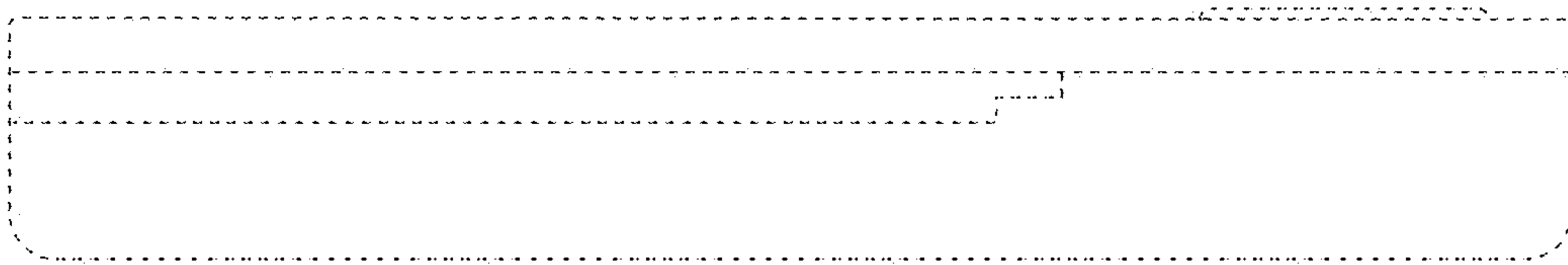


Fig. 13

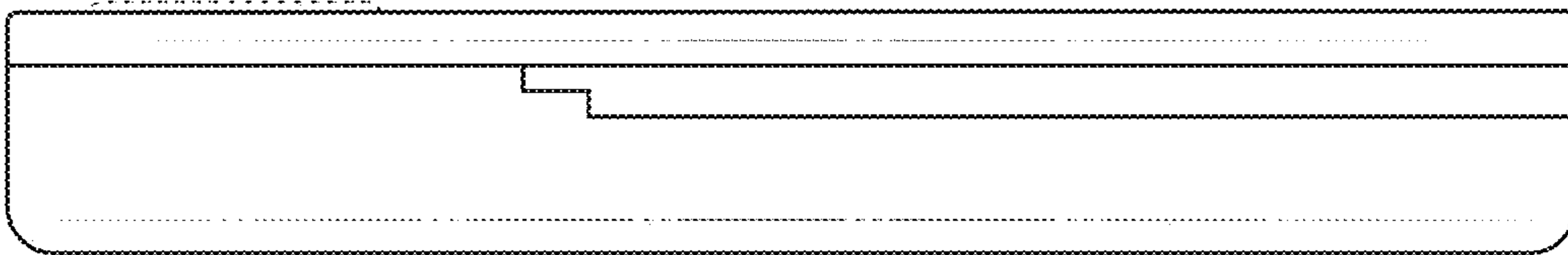


Fig. 14

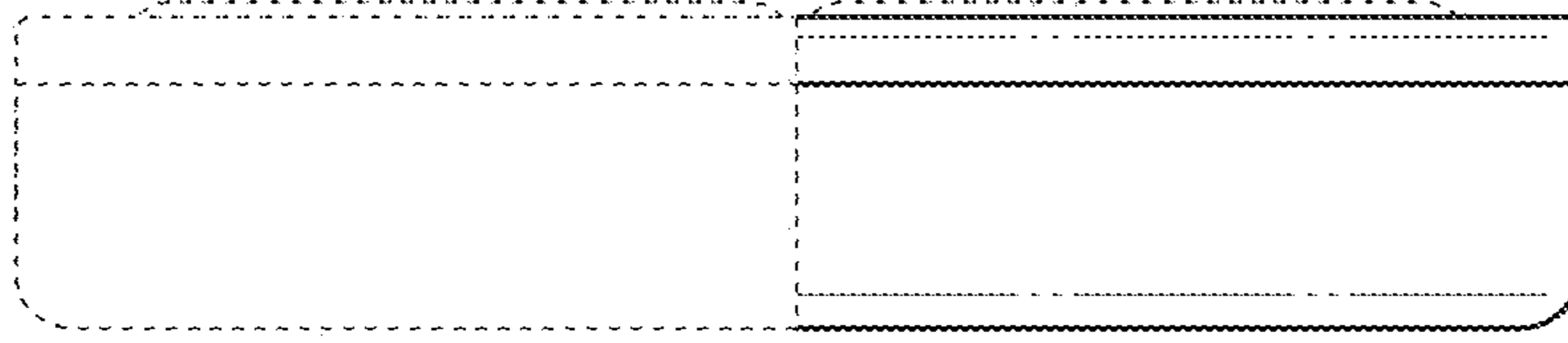


Fig. 15

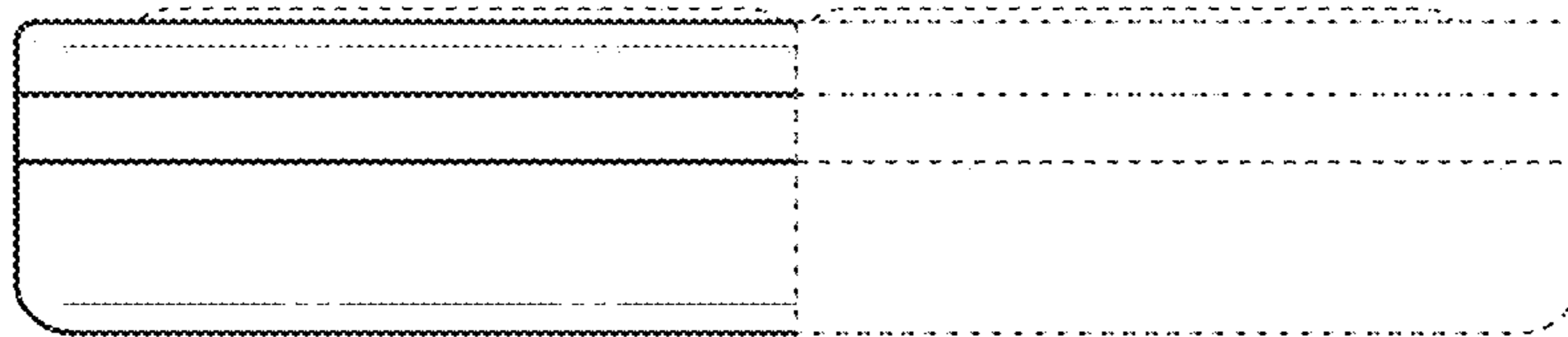


Fig. 16

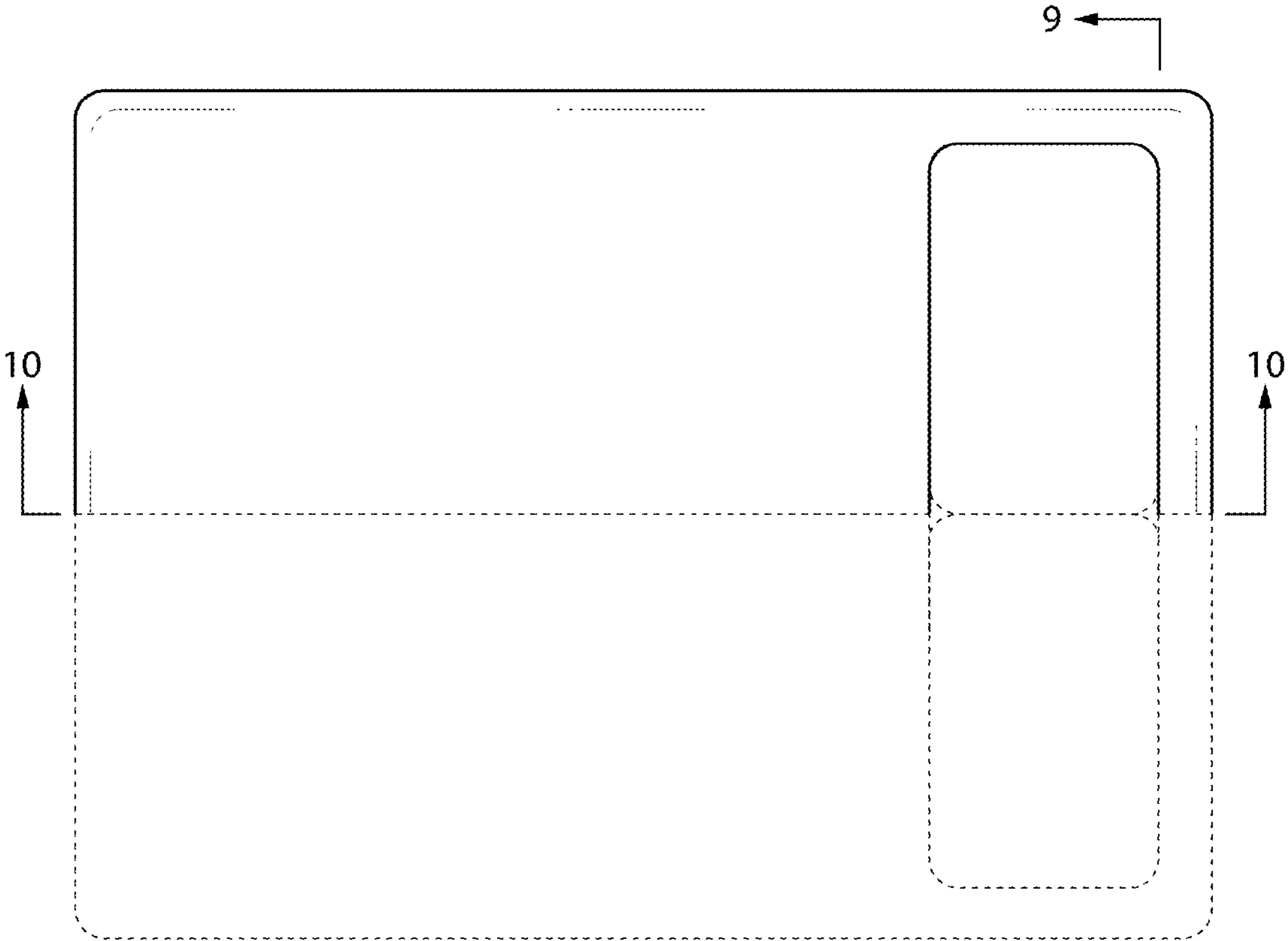


Fig. 17

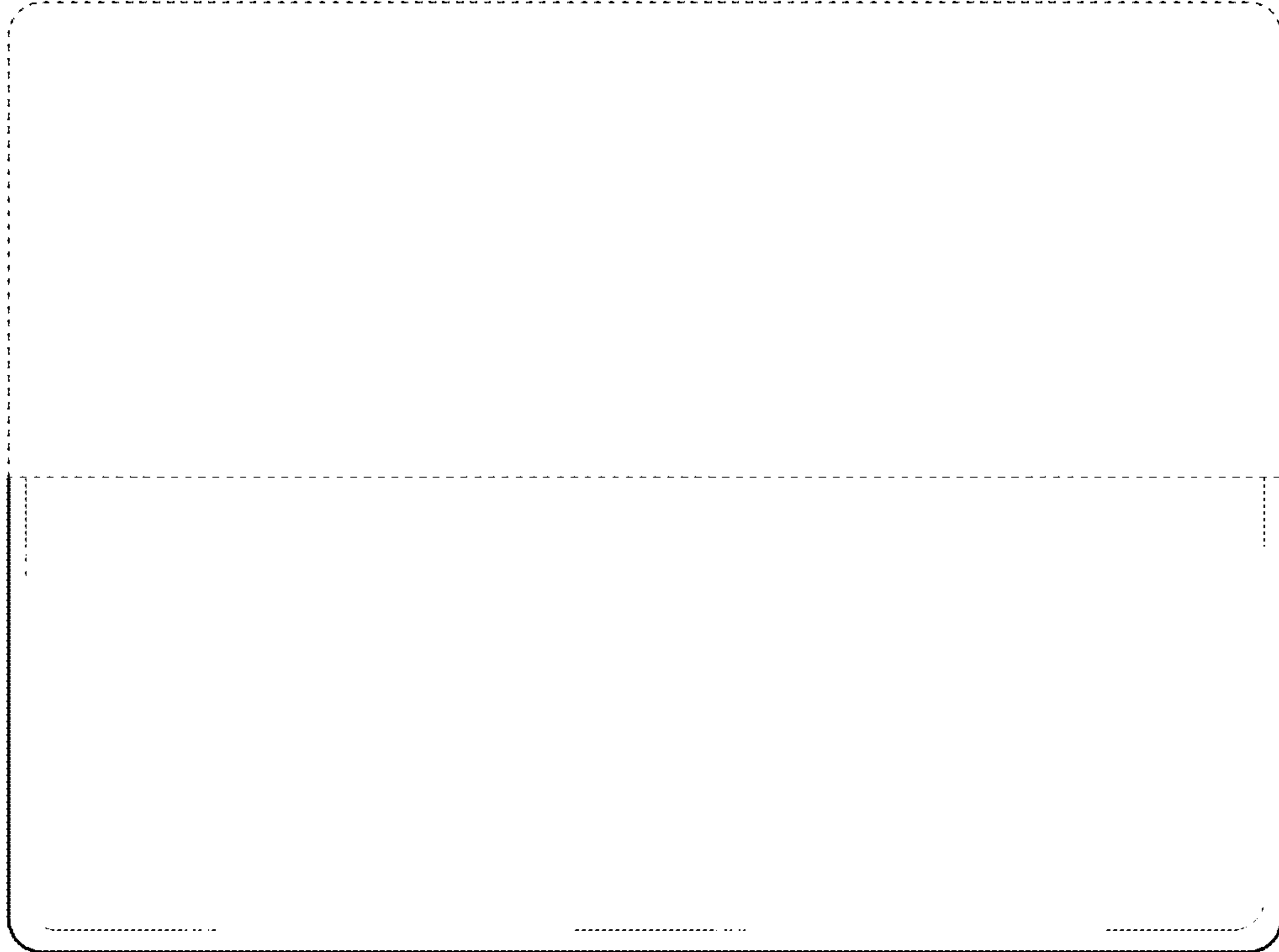


Fig. 18

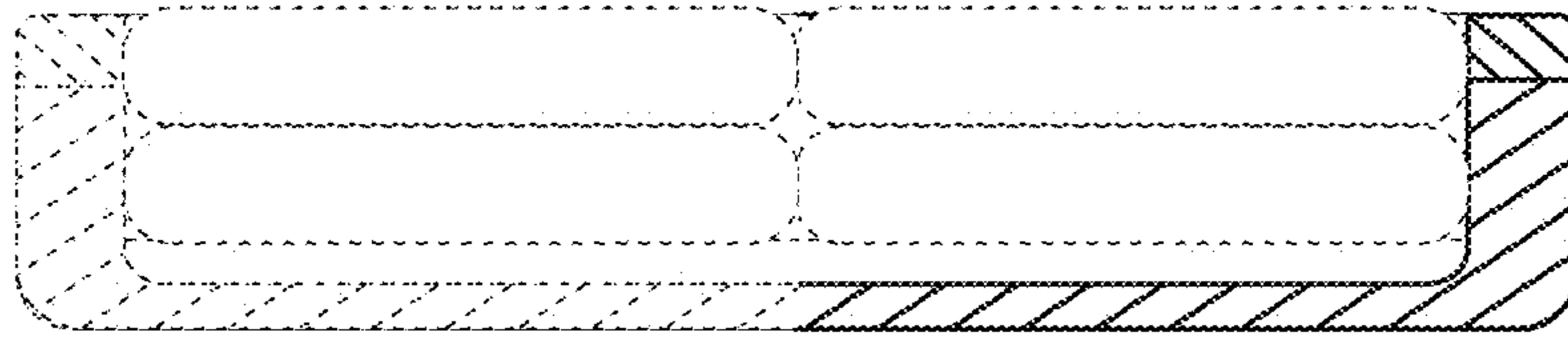


Fig. 19

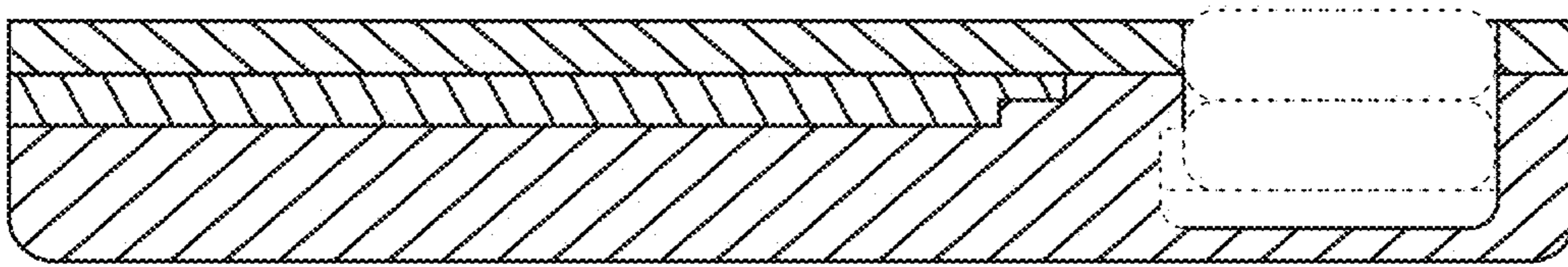


Fig. 20