



US00D906735S

(12) **United States Design Patent**
Berliner

(10) **Patent No.:** **US D906,735 S**

(45) **Date of Patent:** **** Jan. 5, 2021**

(54) **DOUBLE-SEAMED CORNER FOR FITTED SHEETS**

(71) Applicant: **Nicole Lauren Berliner**, New York, NY (US)

(72) Inventor: **Nicole Lauren Berliner**, New York, NY (US)

(**) Term: **15 Years**

(21) Appl. No.: **29/686,945**

(22) Filed: **Apr. 9, 2019**

(51) **LOC (13) Cl.** **06-13**

(52) **U.S. Cl.**
USPC **D6/602**

(58) **Field of Classification Search**
USPC D6/596, 602, 603, 608; D2/719, 823
CPC A47G 9/02; A47G 9/0207; A47G 9/0215;
A47G 9/0223; A47G 9/0238; A47G 9/0246;
A47G 9/062; A47K 7/00; A47K 7/022;
A47K 7/028; A47K 7/04; A47K 7/043;
A47K 10/02; A47D 15/003; A47D 5/006; A45C 9/00

See application file for complete search history.

(56) **References Cited**

U.S. PATENT DOCUMENTS

- D677,964 S * 3/2013 Agarwall D6/602
- 8,856,984 B1 * 10/2014 Donham A47G 9/0246
5/496
- 9,254,046 B1 * 2/2016 Arenstein A47C 21/022
- 10,251,498 B1 * 4/2019 Feldman A47G 9/0246
- 2003/0177579 A1 * 9/2003 Diak/Ghanem A47G 9/02
5/499
- 2004/0064889 A1 * 4/2004 Diak/Ghanem A47G 9/02
5/482
- 2006/0253981 A1 * 11/2006 Hermanczuk A47G 9/0246
5/497
- 2007/0094794 A1 * 5/2007 Ellis A47G 9/007
5/482

- 2012/0054962 A1 * 3/2012 Agarwall A47G 9/0246
5/497
- 2012/0137433 A1 * 6/2012 Snell A47G 9/0246
5/493
- 2016/0081497 A1 * 3/2016 Keinigs A44B 19/34
5/496
- 2019/0069696 A1 * 3/2019 Young A47G 9/0246
- 2020/0015597 A1 * 1/2020 Guy A47C 21/022

FOREIGN PATENT DOCUMENTS

- WO WO -2017034740 A1 * 3/2017 A61G 1/01
- WO WO -2018220649 A1 * 12/2018 A47G 9/0246

* cited by examiner

Primary Examiner — R. Johnson

(74) *Attorney, Agent, or Firm* — Frederic Dorwart, Lawyers PLLC; Penina Michlin Chiu

(57) **CLAIM**

The ornamental design for a double-seamed corner for fitted sheets, as shown and described.

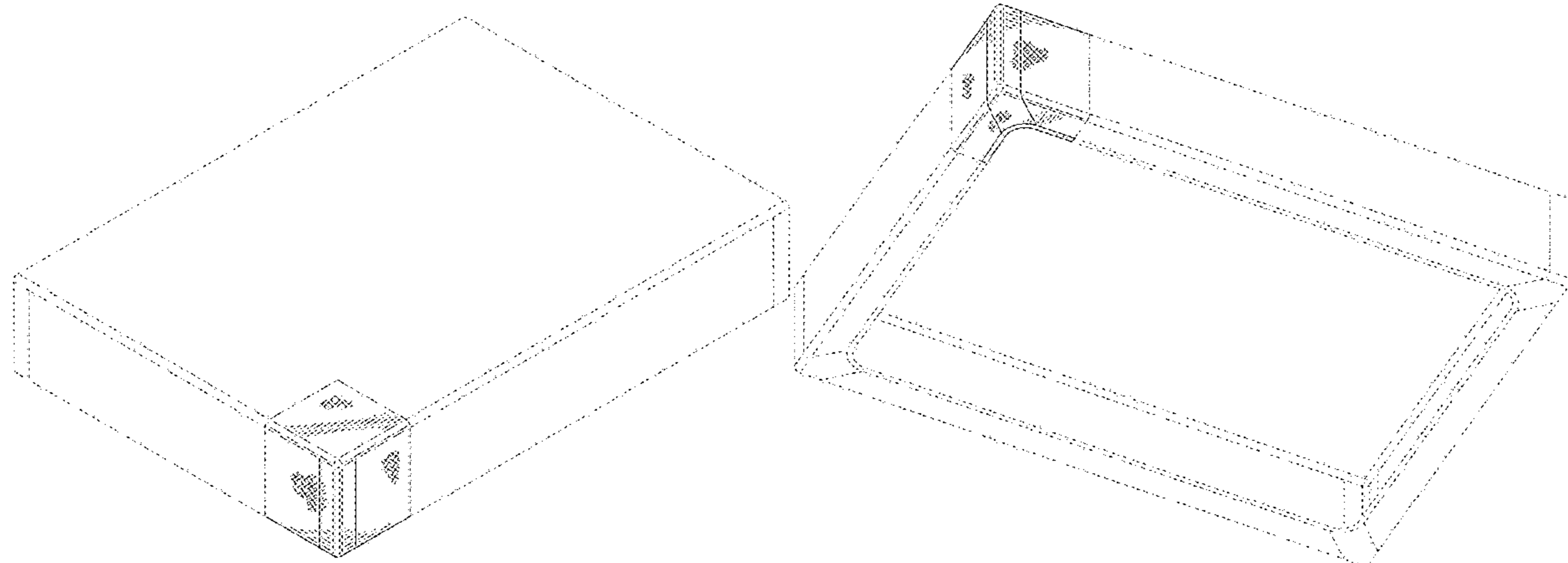
DESCRIPTION

FIG. 1 is a top perspective view of a double-seamed corner for fitted sheets showing my new design; FIG. 2 is a bottom perspective view thereof; FIG. 3 is a right side elevation view thereof; FIG. 4 is a left side elevation view thereof; FIG. 5 is a front elevation view thereof; FIG. 6 is a rear elevation view thereof; FIG. 7 is a top plan view thereof; and, FIG. 8 is a bottom plan view thereof.

The shade lines in the Figures show contour and not surface ornamentation.

The evenly spaced broken lines in the figures depict environmental subject matter only and form no part of the claimed design. The dot-dot dashed broken lines represent the boundary of the design and form no part of the claim.

1 Claim, 5 Drawing Sheets



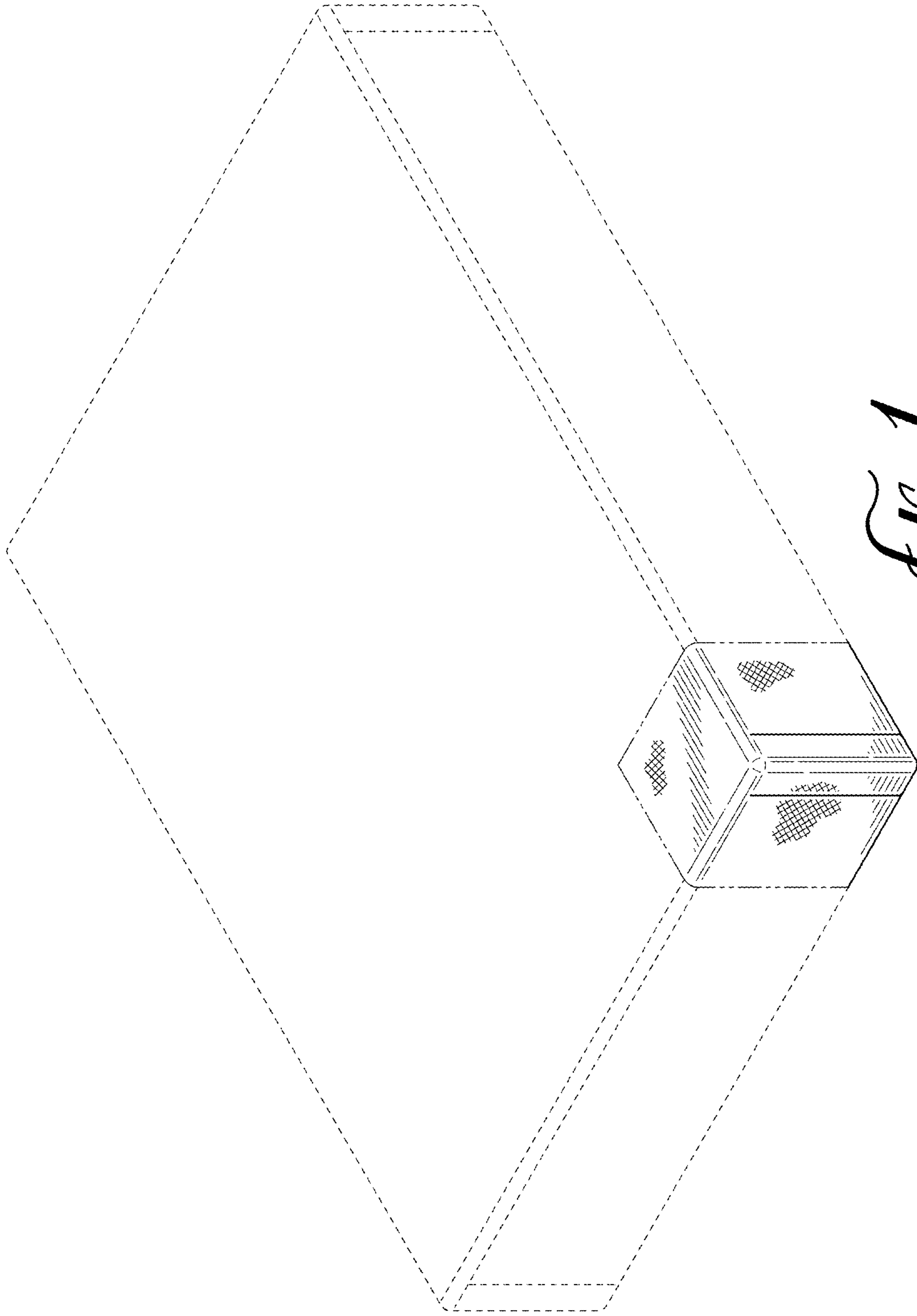


FIG. 1

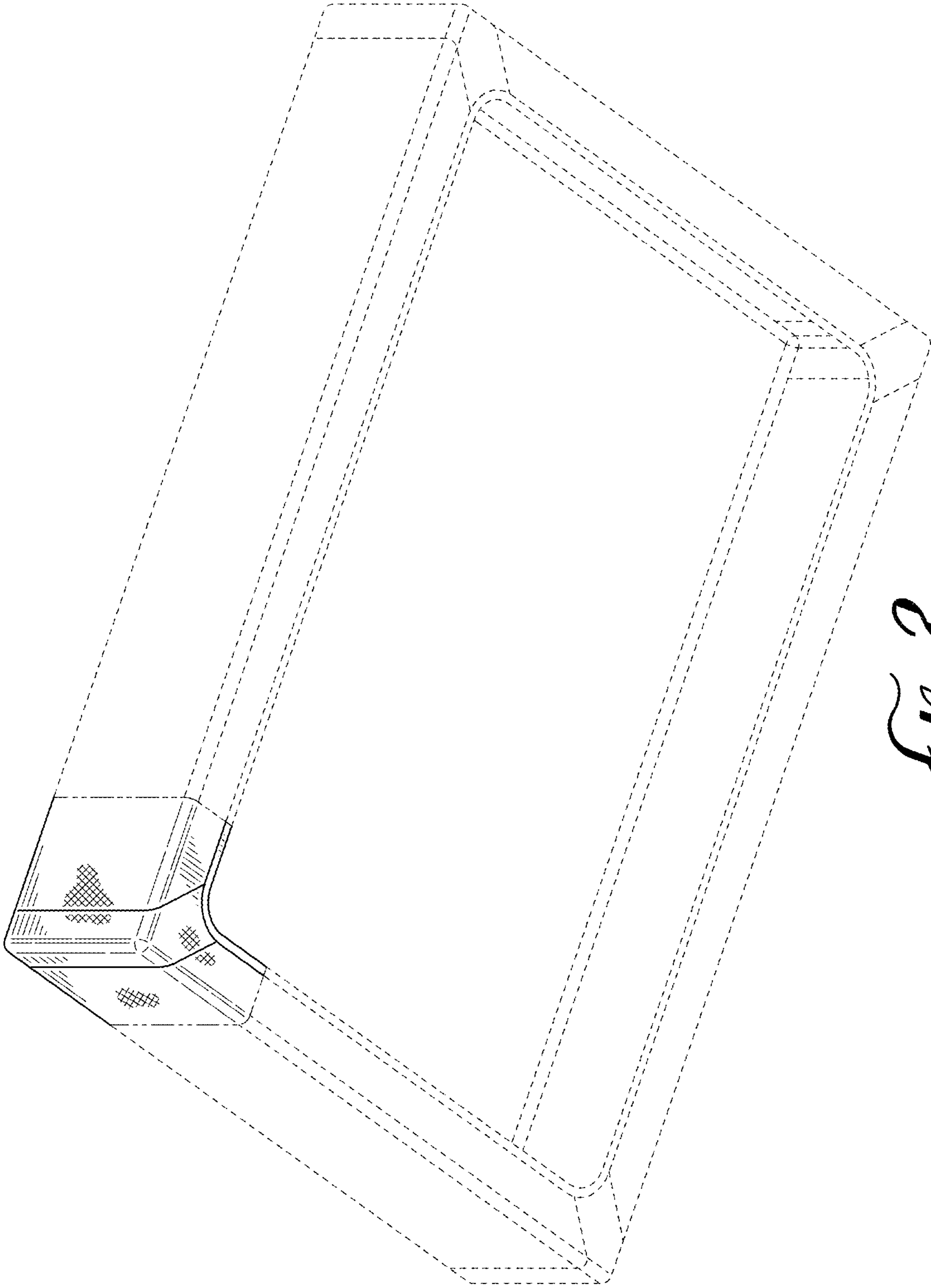


FIG. 2

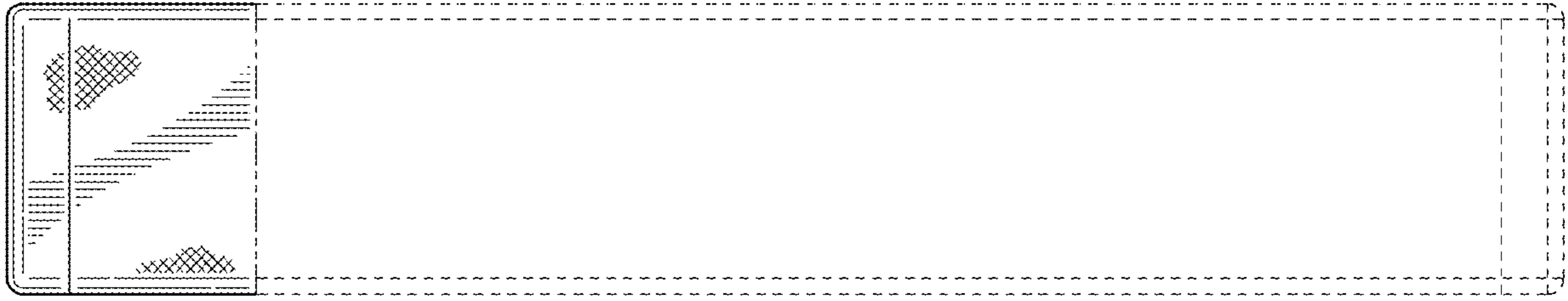


FIG. 3



FIG. 4

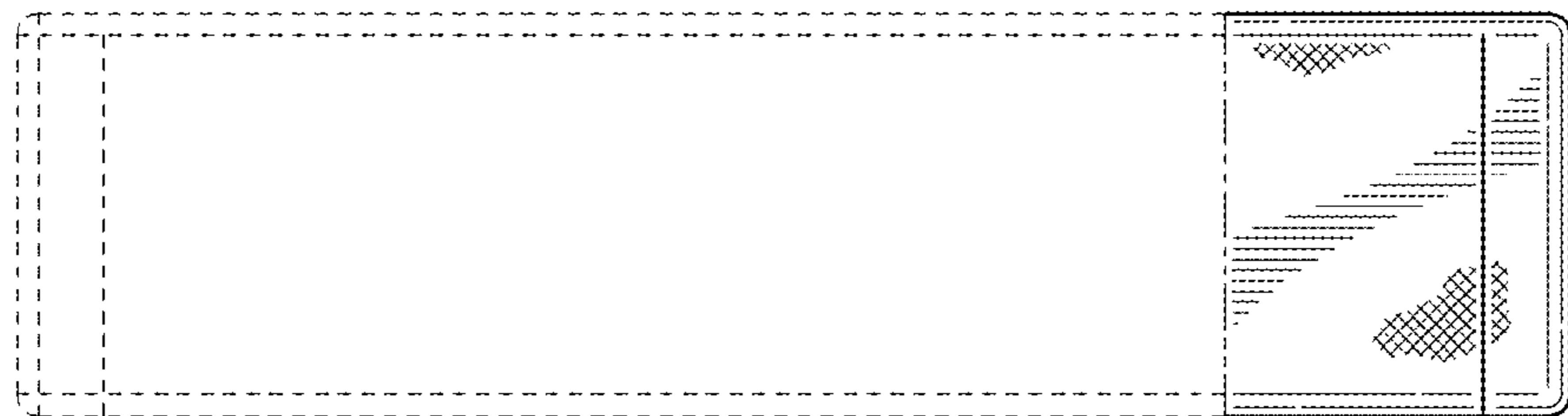


FIG. 5

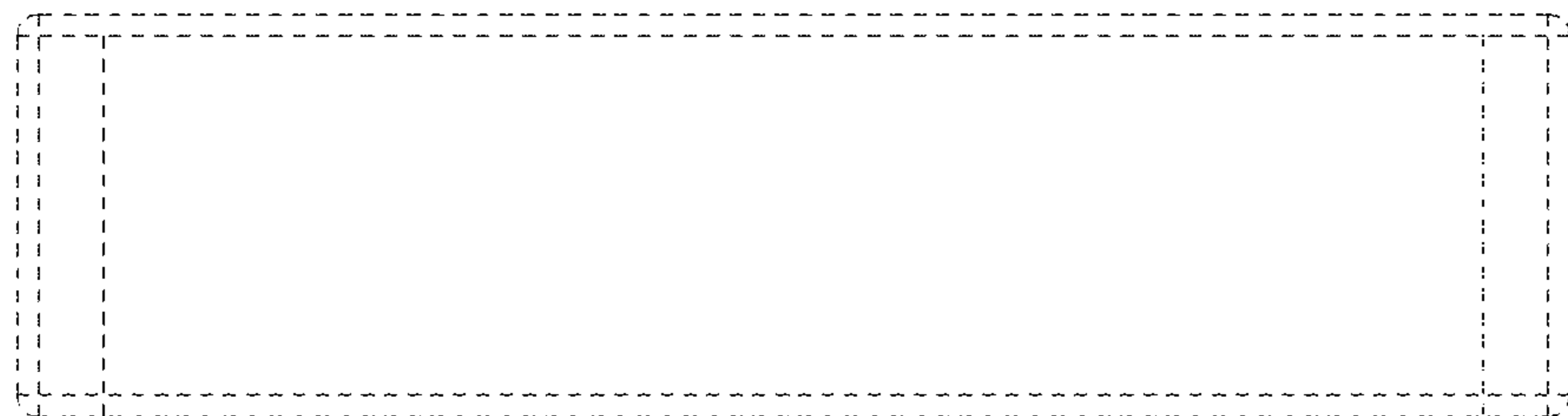


FIG. 6

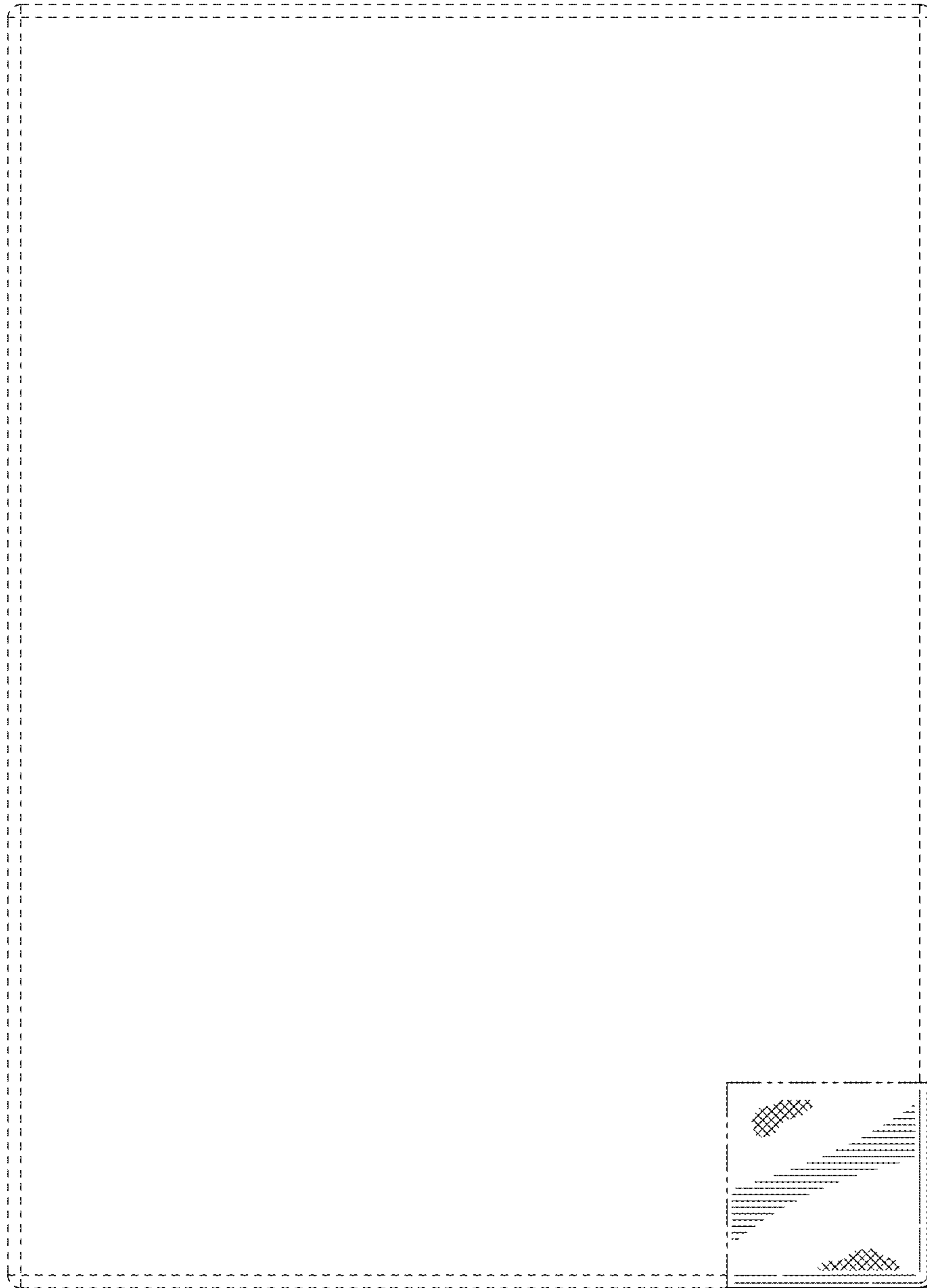


FIG. 7

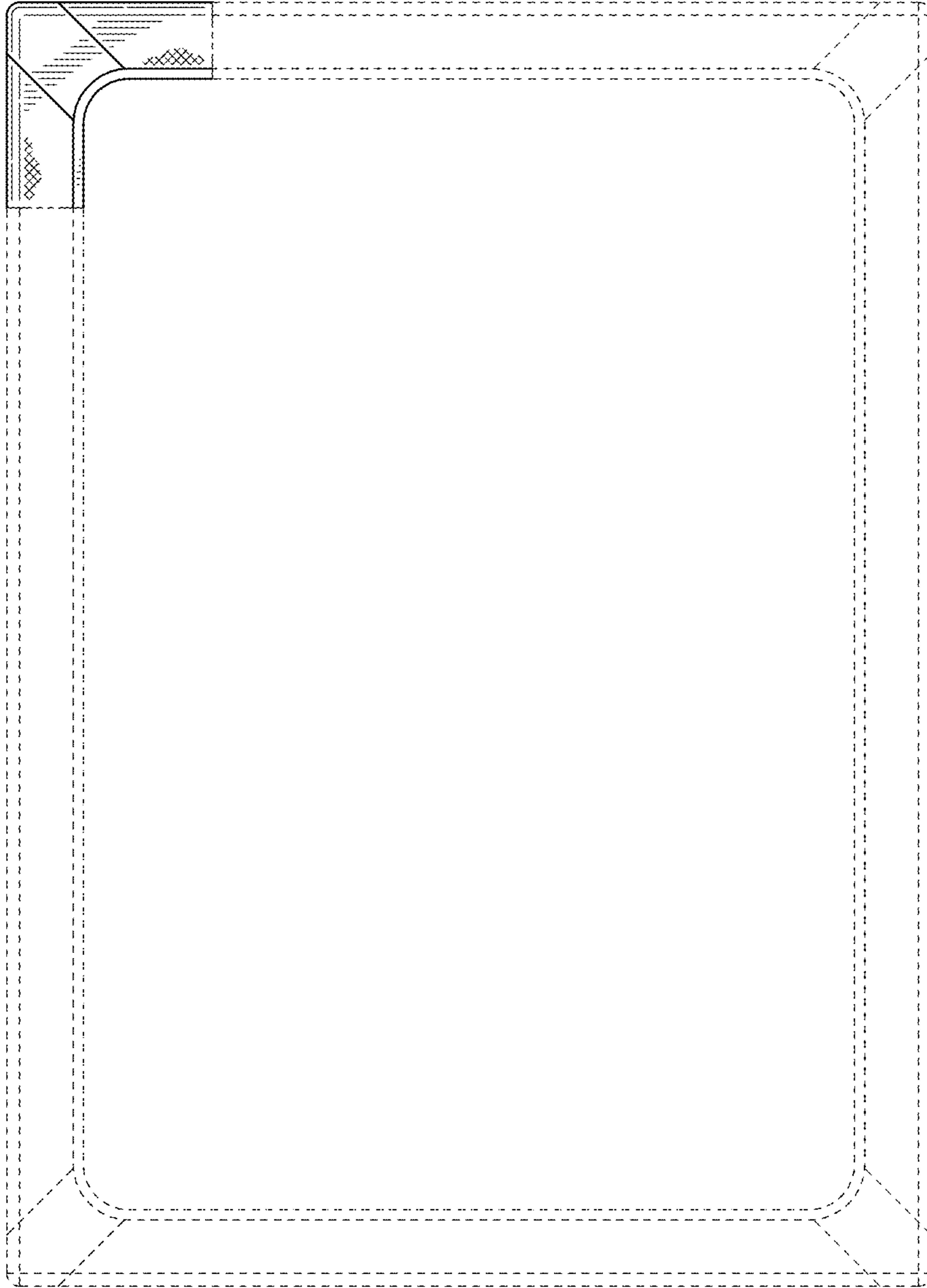


FIG. 3