



US00D906734S

(12) **United States Design Patent**
Liang

(10) **Patent No.:** **US D906,734 S**

(45) **Date of Patent:** **** Jan. 5, 2021**

(54) **TRAVEL PILLOW**

(71) Applicant: **Dongguan Renzhi Packaging Technology Co., Ltd., Dongguan (CN)**

(72) Inventor: **Xinggui Liang, Dongguan (CN)**

(**) Term: **15 Years**

(21) Appl. No.: **29/708,544**

(22) Filed: **Oct. 8, 2019**

(51) **LOC (13) Cl.** **06-09**

(52) **U.S. Cl.**
USPC **D6/601; D6/604**

(58) **Field of Classification Search**
USPC D6/595-601, 604, 606; D24/183, 190;
D21/803, 809
CPC A47C 20/00; A47C 20/021; A47C 7/742;
A47C 7/021; A47D 15/001; A47D
15/008; A47G 9/00; A47G 9/10; B62J
1/26

See application file for complete search history.

(56) **References Cited**

U.S. PATENT DOCUMENTS

D619,402 S *	7/2010	Sternlight	D6/601
D790,880 S *	7/2017	Wong	D6/601
D846,913 S *	4/2019	Liu	D6/601
D850,155 S *	6/2019	Liu	D6/601
D850,817 S *	6/2019	Tong	D6/601
D854,355 S *	7/2019	Lei	D6/604

D875,438 S *	2/2020	Liu	D6/601
D881,605 S *	4/2020	Chen	D6/601
10,702,082 B2 *	7/2020	Wong	A47C 7/383
D898,419 S *	10/2020	Liu	D6/601
2008/0104764 A1 *	5/2008	Chen	A47C 7/383 5/644
2008/0163431 A1 *	7/2008	Higgs	B63C 9/155 5/655

* cited by examiner

Primary Examiner — Jennifer L Rempfer

(74) *Attorney, Agent, or Firm* — HYIP

(57) **CLAIM**

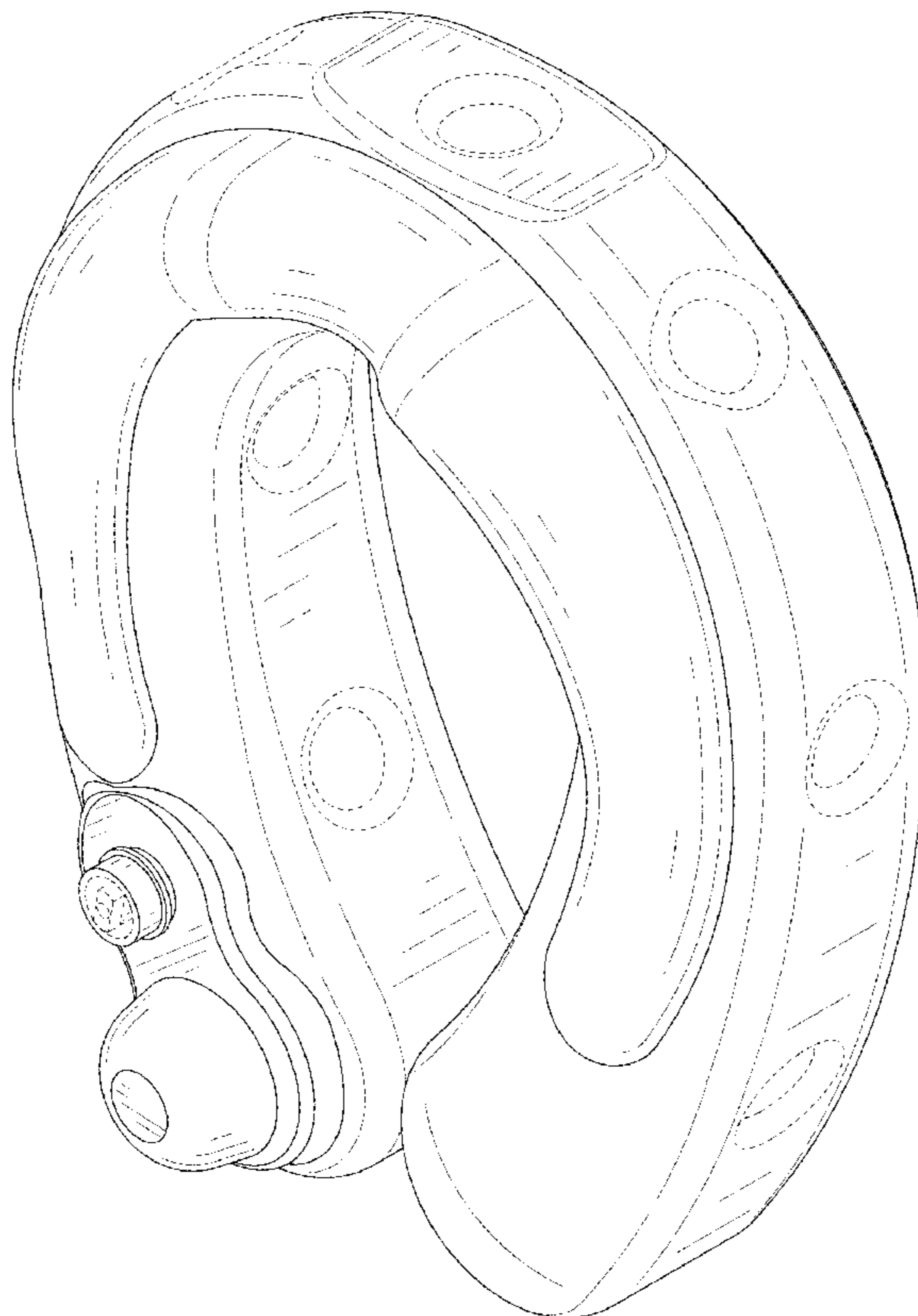
The ornamental design for a travel pillow, as shown and described.

DESCRIPTION

FIG. 1 is a first perspective view of a travel pillow showing my new design;
FIG. 2 is a second perspective view thereof;
FIG. 3 is a front view thereof;
FIG. 4 is a back view thereof;
FIG. 5 is a left side view thereof;
FIG. 6 is a right side view thereof;
FIG. 7 is a top view thereof; and,
FIG. 8 is a bottom view thereof.

The broken lines shown in the drawings depict portions of the travel pillow in which the design is embodied that form no part of the claimed design.

1 Claim, 8 Drawing Sheets



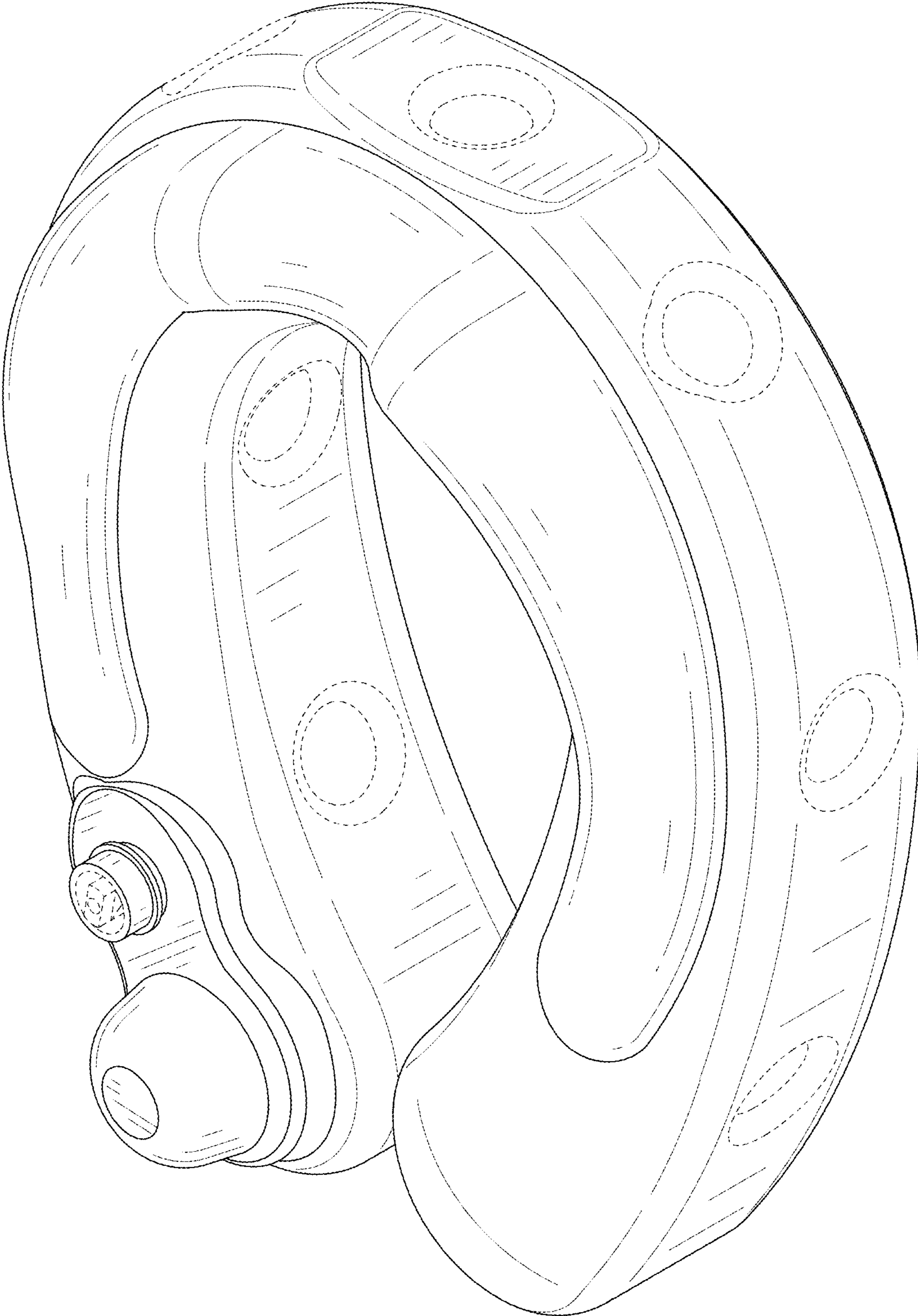


FIG. 1

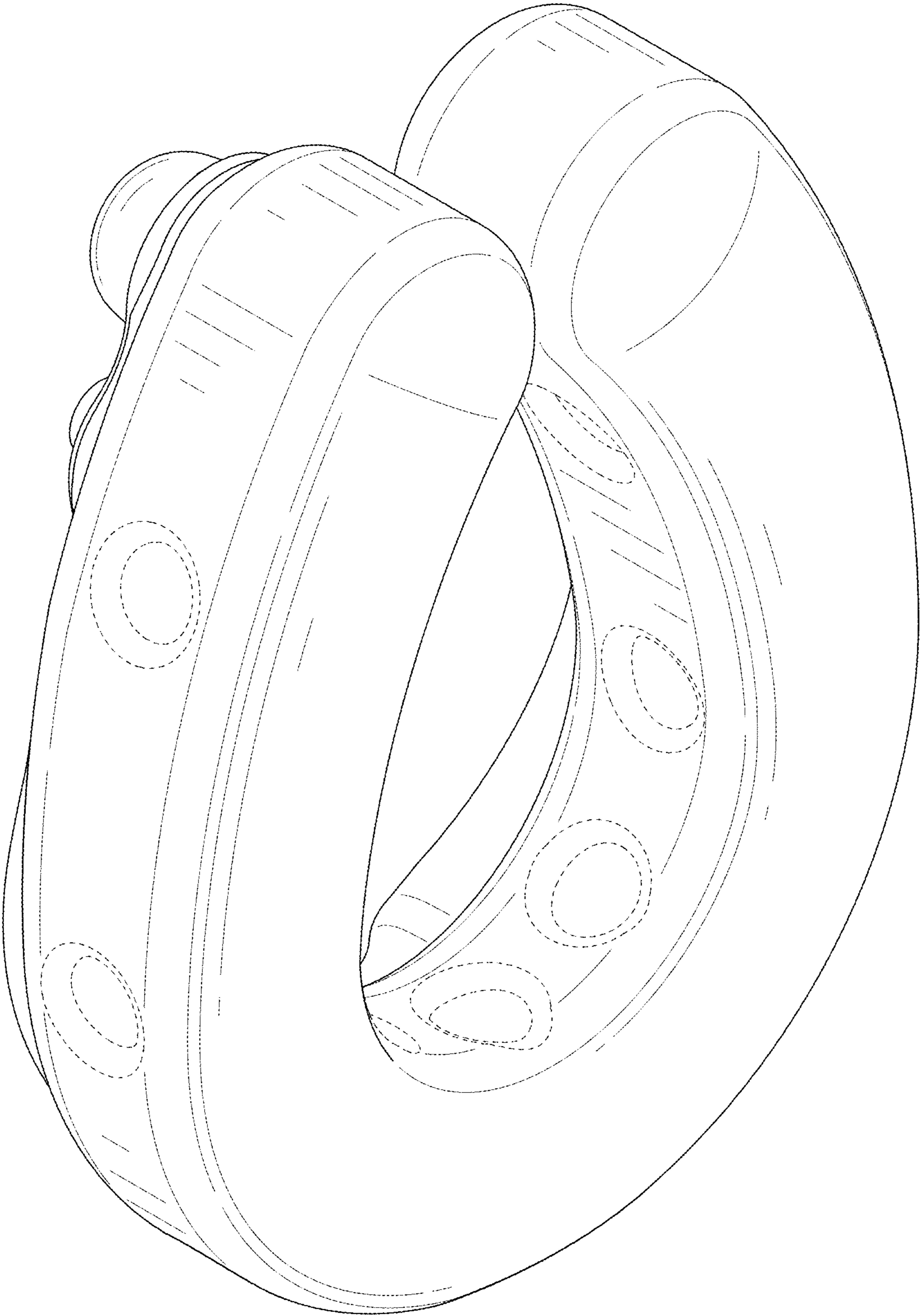


FIG. 2

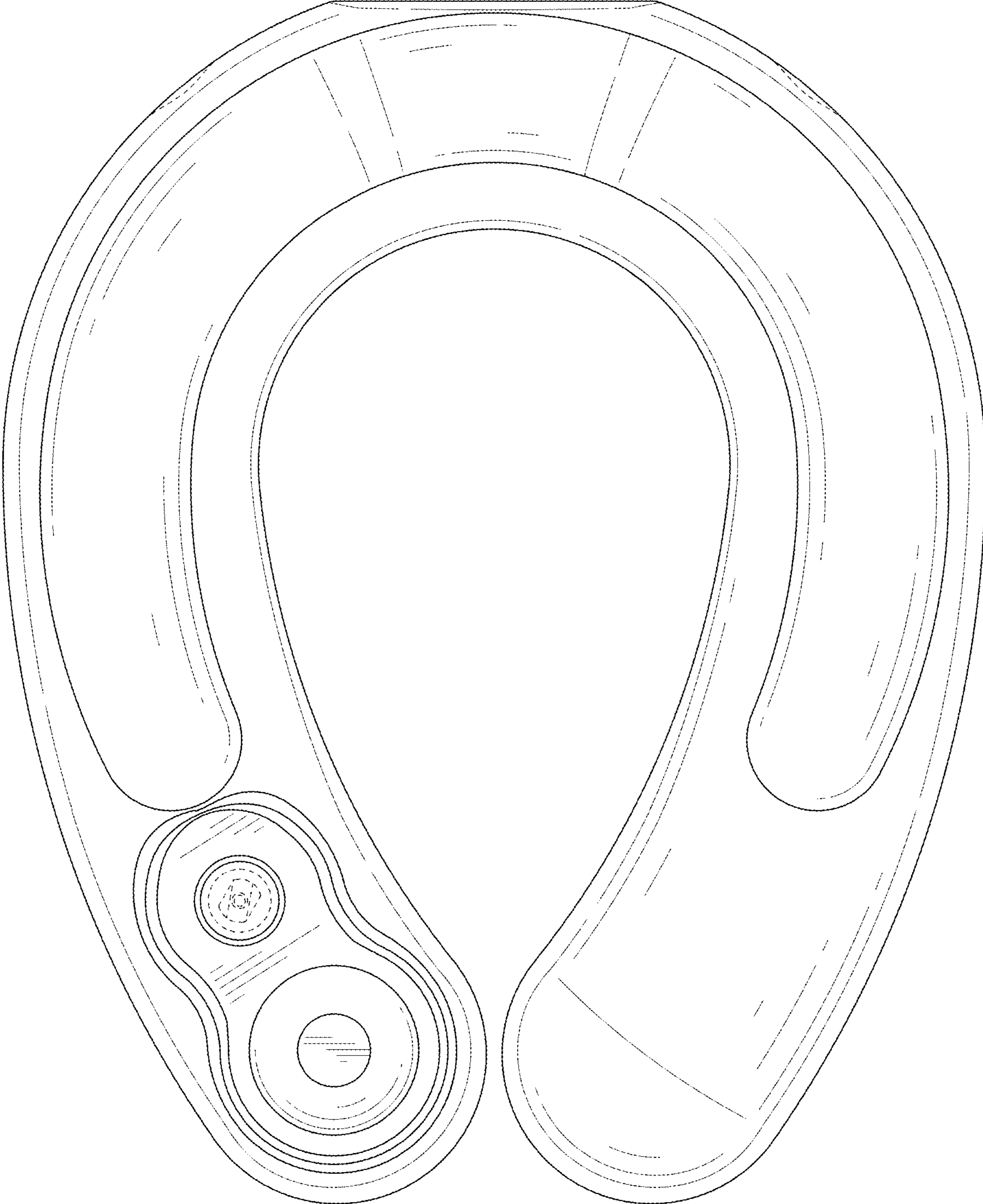


FIG. 3

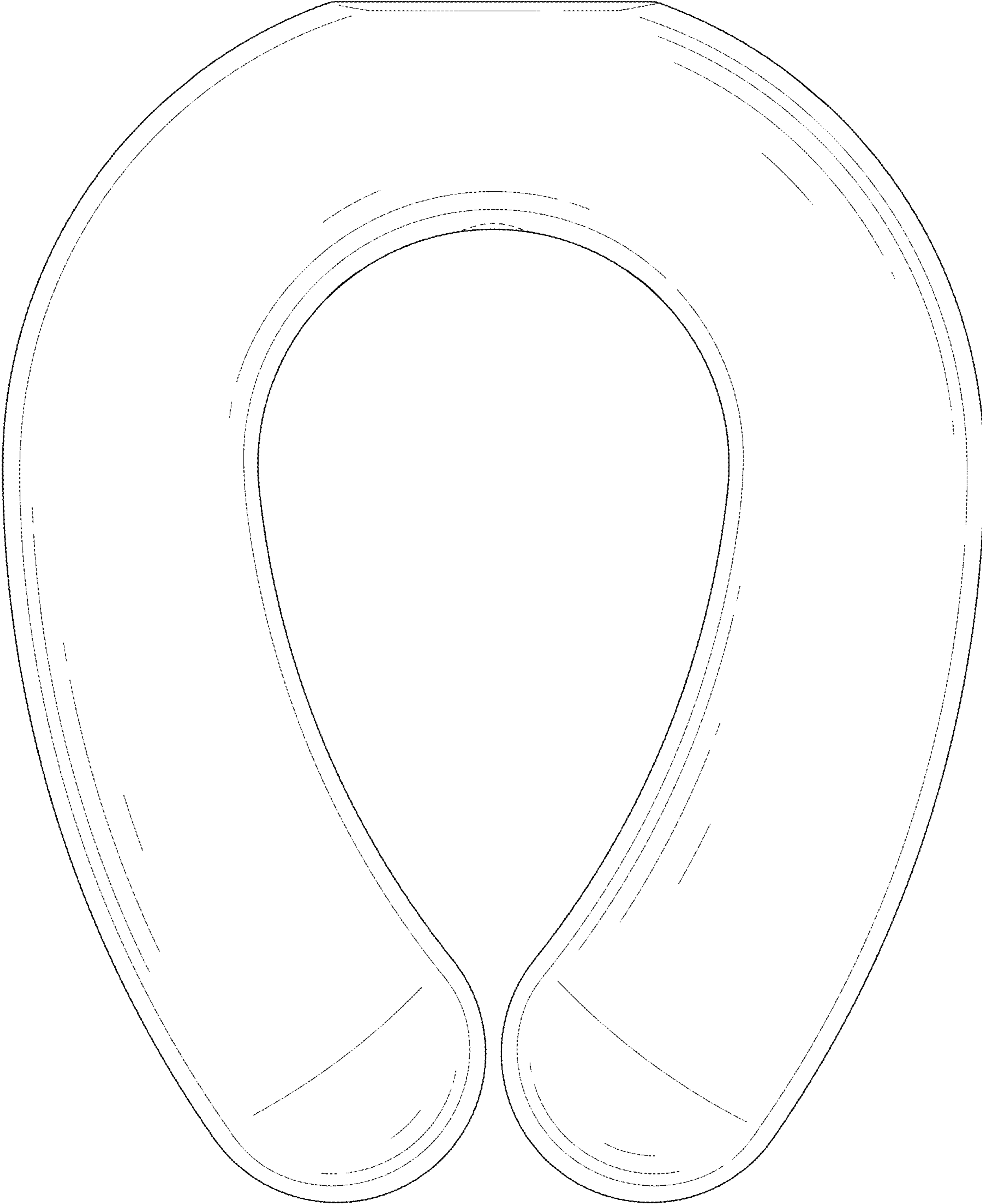


FIG. 4

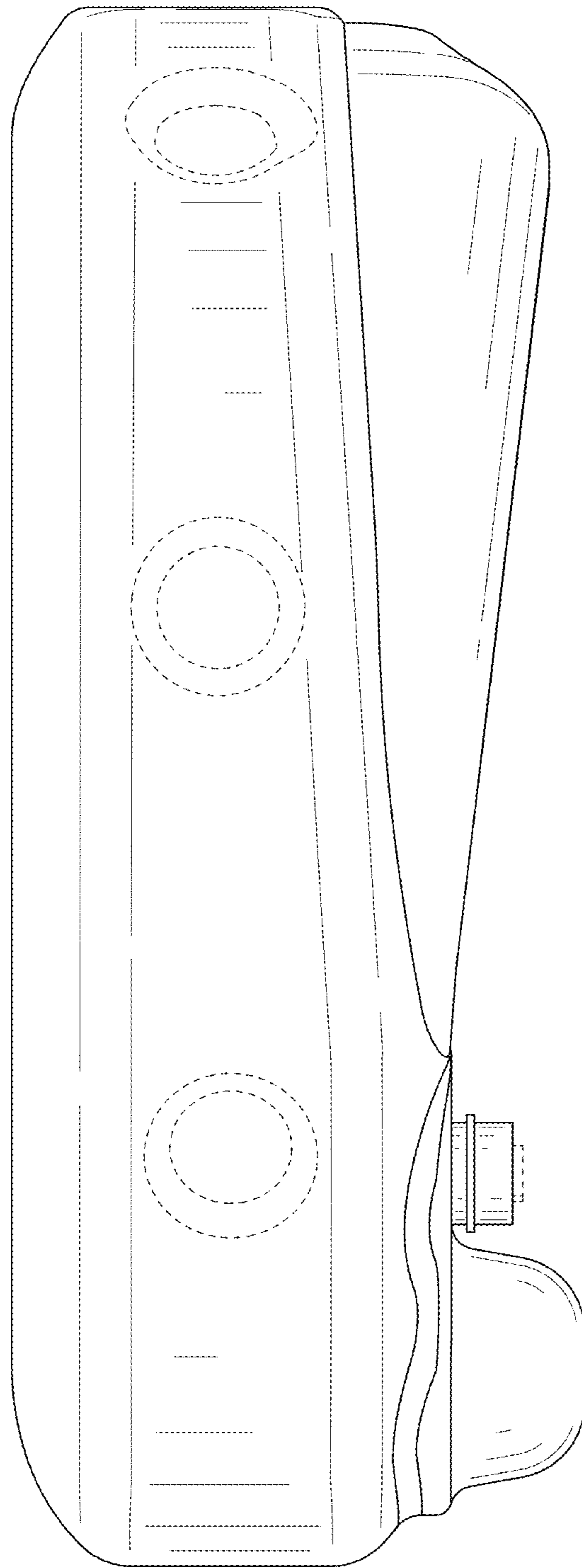


FIG. 5

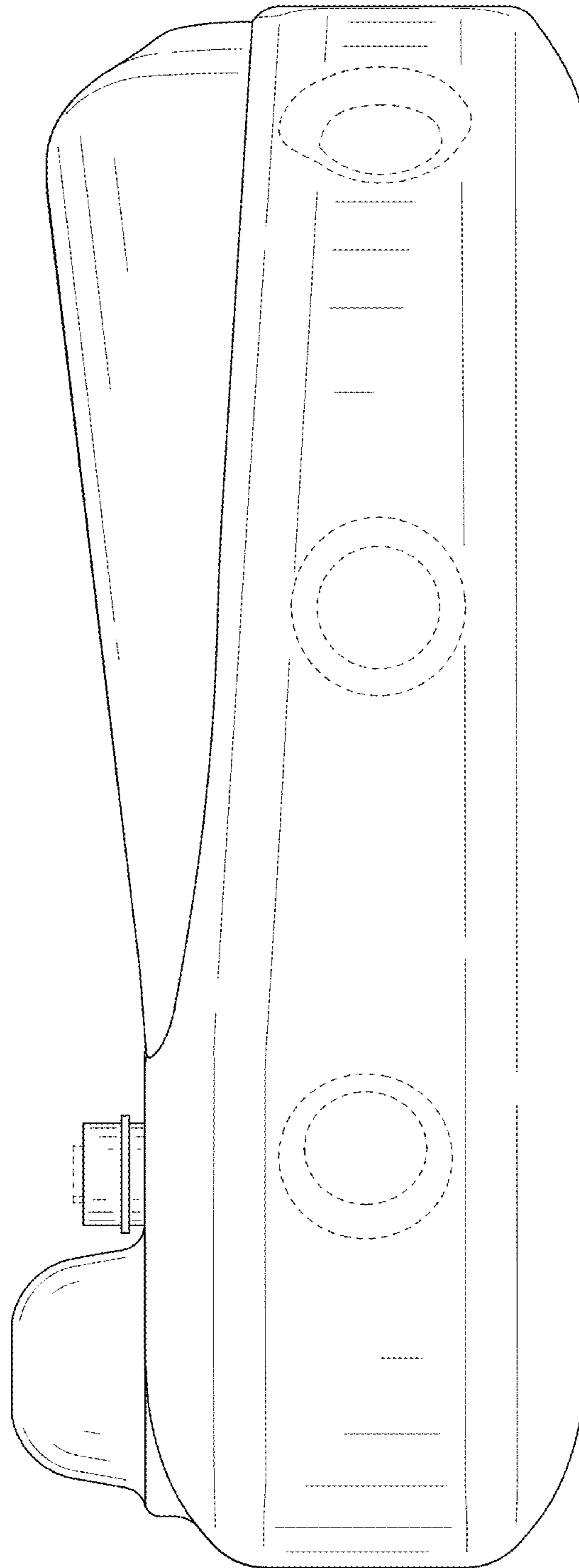


FIG. 6

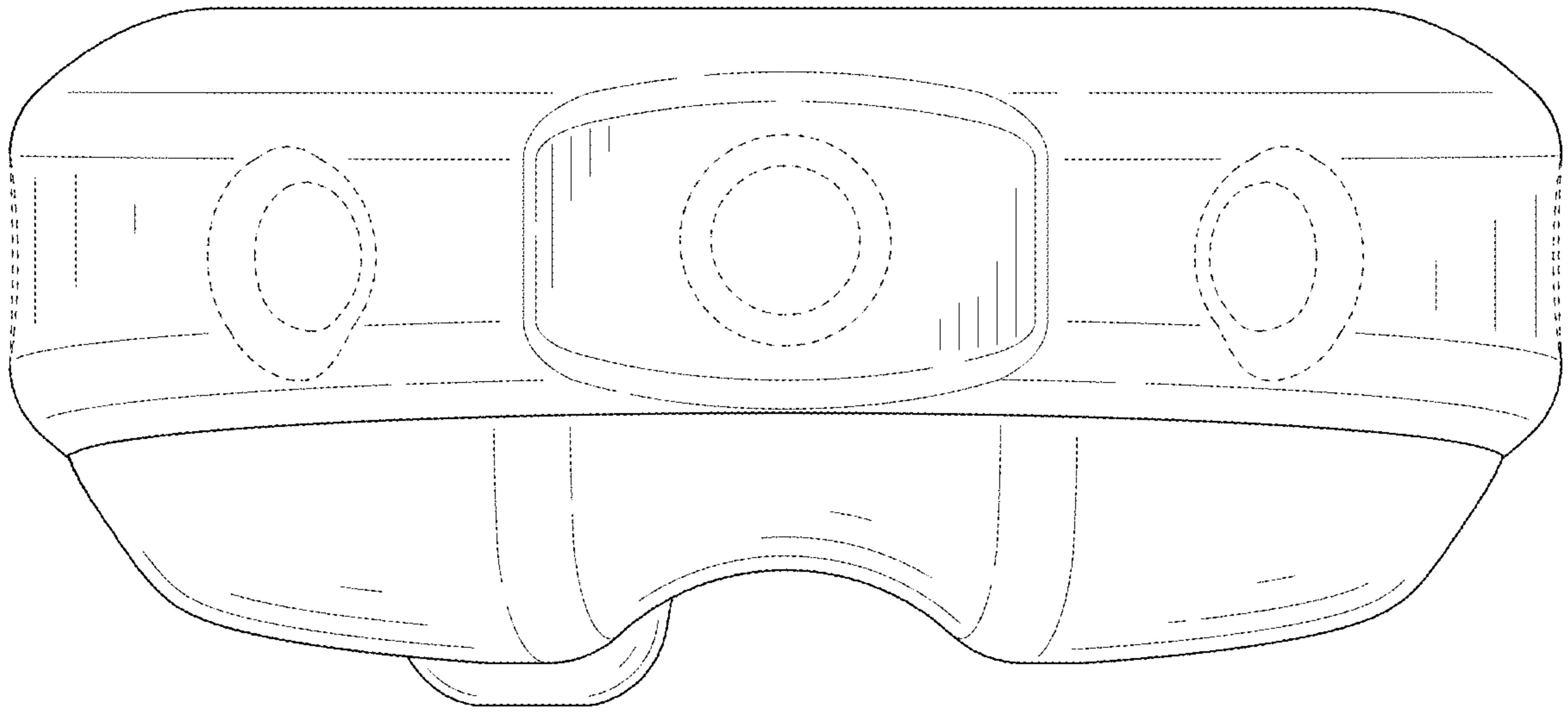


FIG. 7

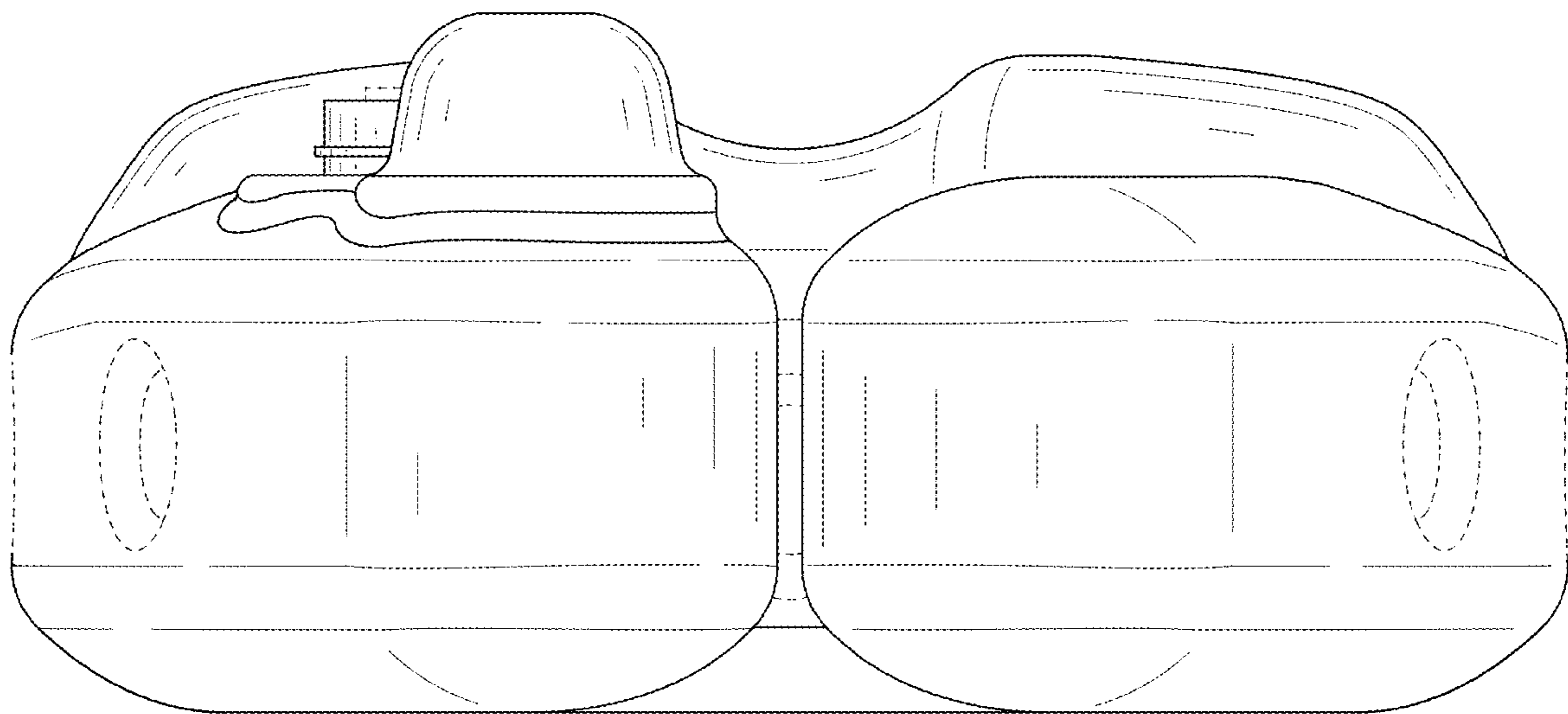


FIG. 8