



US00D906732S

(12) **United States Design Patent**
Huang

(10) **Patent No.:** **US D906,732 S**

(45) **Date of Patent:** **** Jan. 5, 2021**

(54) **CUSHION**

(71) Applicant: **Liyan Huang**, Guangdong (CN)

(72) Inventor: **Liyan Huang**, Guangdong (CN)

(**) Term: **15 Years**

(21) Appl. No.: **29/698,726**

(22) Filed: **Jul. 18, 2019**

(30) **Foreign Application Priority Data**

Jun. 3, 2019 (CN) 2019 3 0281501

(51) **LOC (13) Cl.** **06-09**

(52) **U.S. Cl.**
USPC **D6/601**

(58) **Field of Classification Search**
USPC D6/595-601, 604, 606; D24/183, 190;
D21/803, 809
CPC A47C 20/00; A47C 20/021; A47C 7/742;
A47C 7/021; A47D 15/001; A47D
15/008; A47G 9/00; A47G 9/10; B62J
1/26

See application file for complete search history.

(56) **References Cited**

U.S. PATENT DOCUMENTS

D382,435 S * 8/1997 Schaffner D6/596
D530,136 S * 10/2006 Toth D6/601

9,801,480 B1 * 10/2017 McCain A47C 7/383
D850,817 S * 6/2019 Tong D6/601
D856,708 S * 8/2019 Chen D6/601
D889,165 S * 7/2020 Chen D6/601
2013/0232691 A1 * 9/2013 Saul A47C 20/023
5/632

* cited by examiner

Primary Examiner — Jennifer L Rempfer

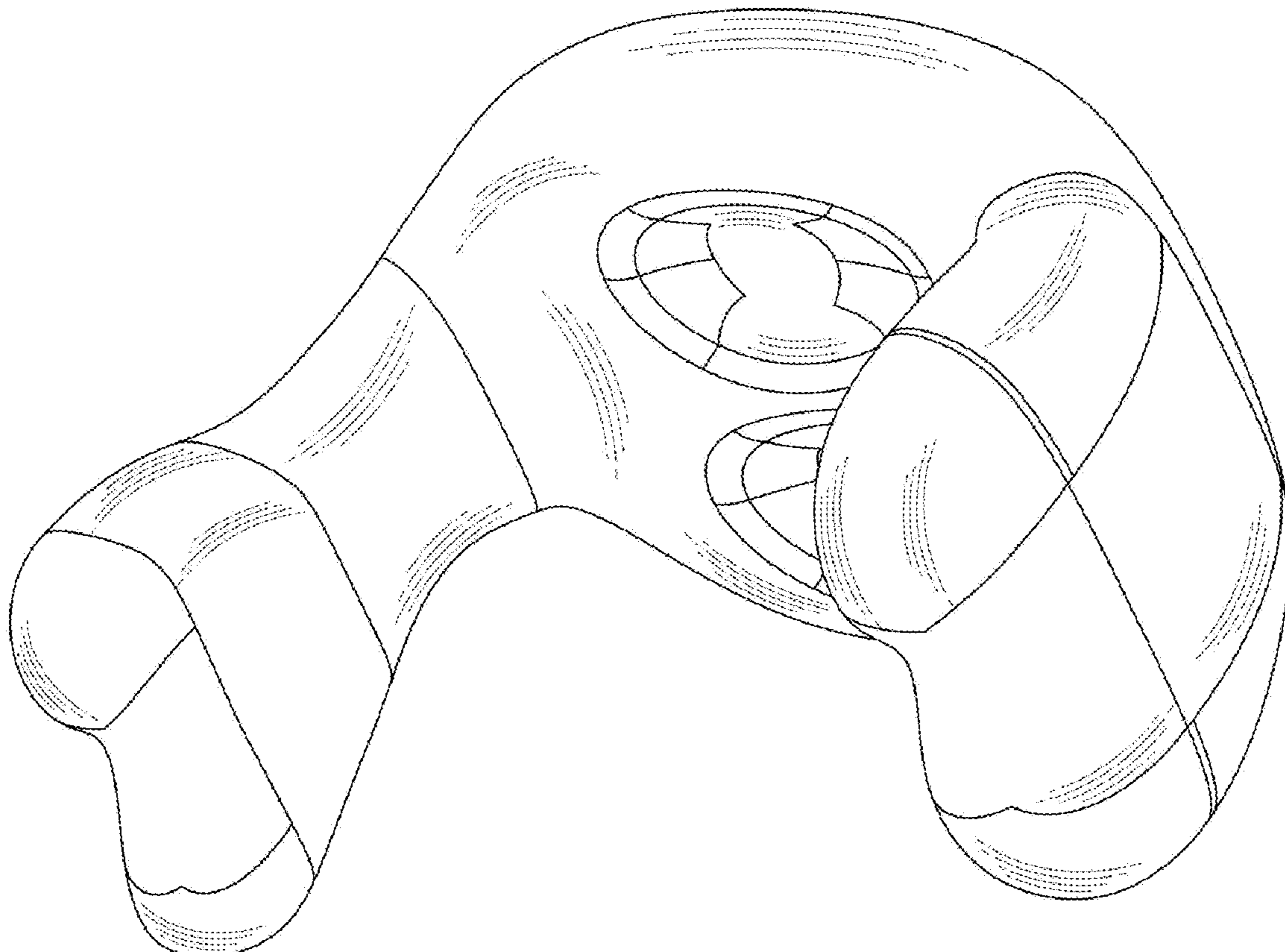
(57) **CLAIM**

The ornamental design for a cushion, as shown and described.

DESCRIPTION

FIG. 1 is a perspective view of a cushion showing my new design;
FIG. 2 is a front elevational view thereof;
FIG. 3 is a rear elevational view thereof;
FIG. 4 is a left side elevational view thereof;
FIG. 5 is a right side elevational view thereof;
FIG. 6 is a top plan view thereof; and,
FIG. 7 is a bottom plan view thereof.

1 Claim, 7 Drawing Sheets



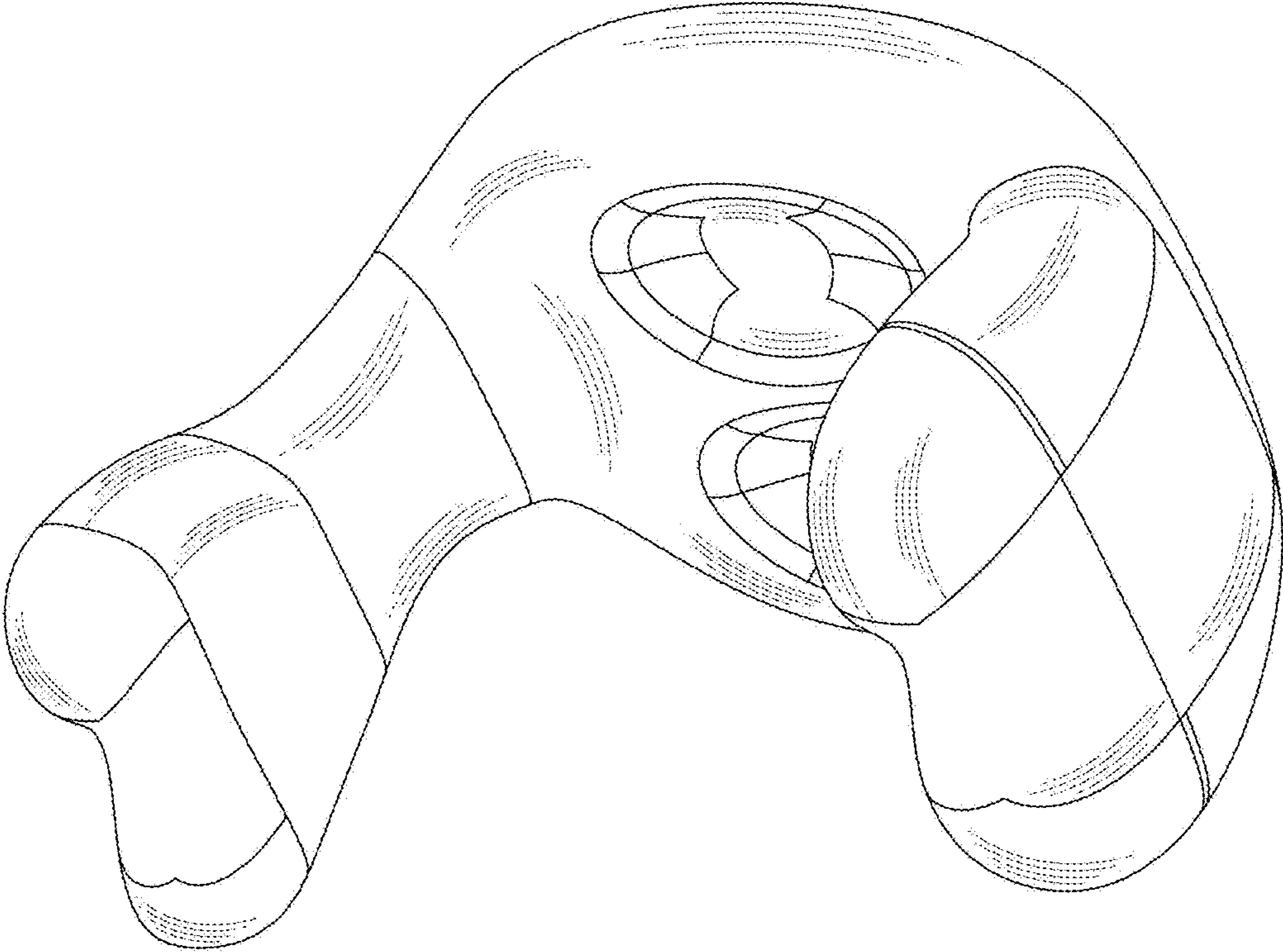


FIG. 1

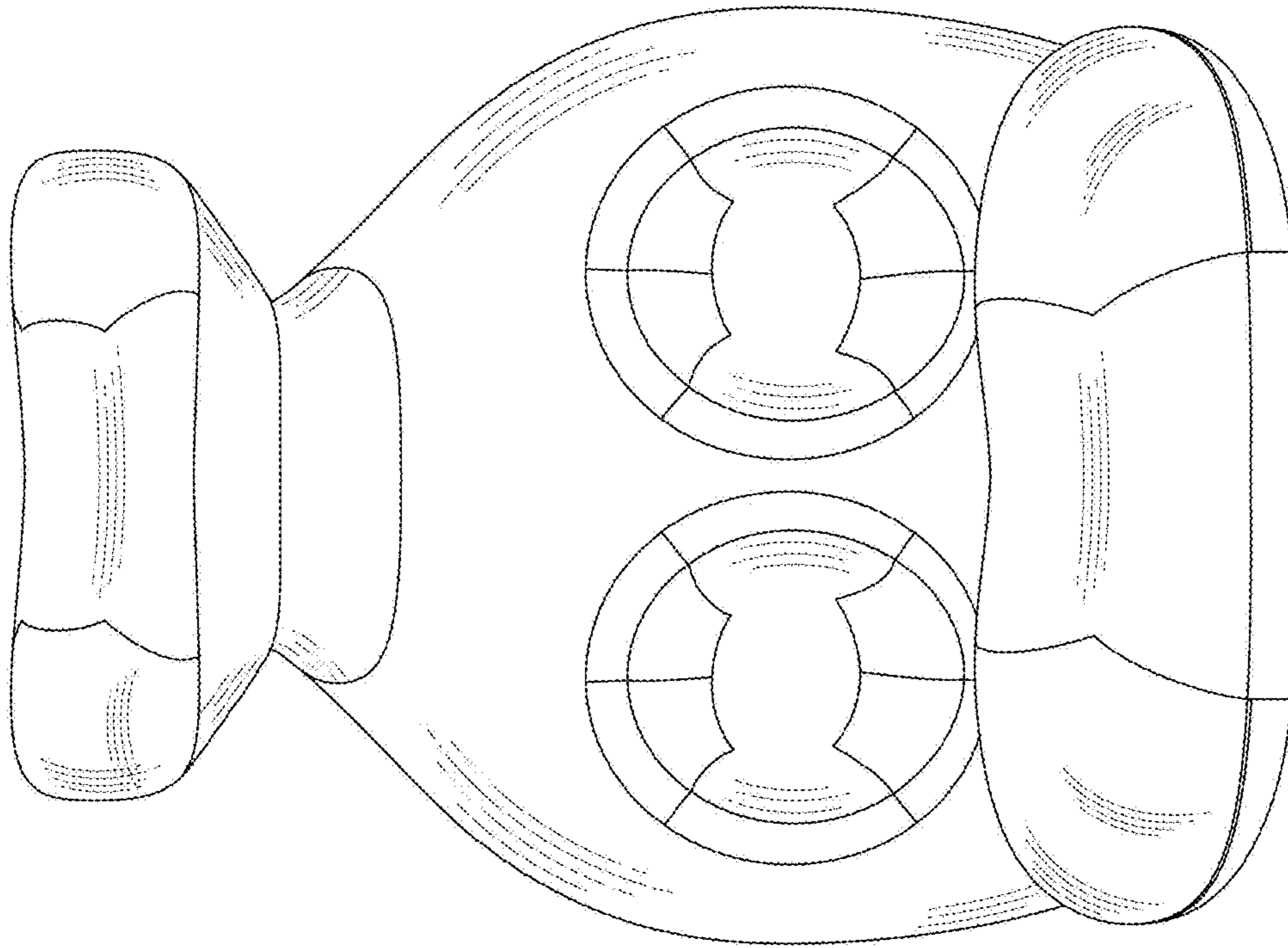


FIG. 2

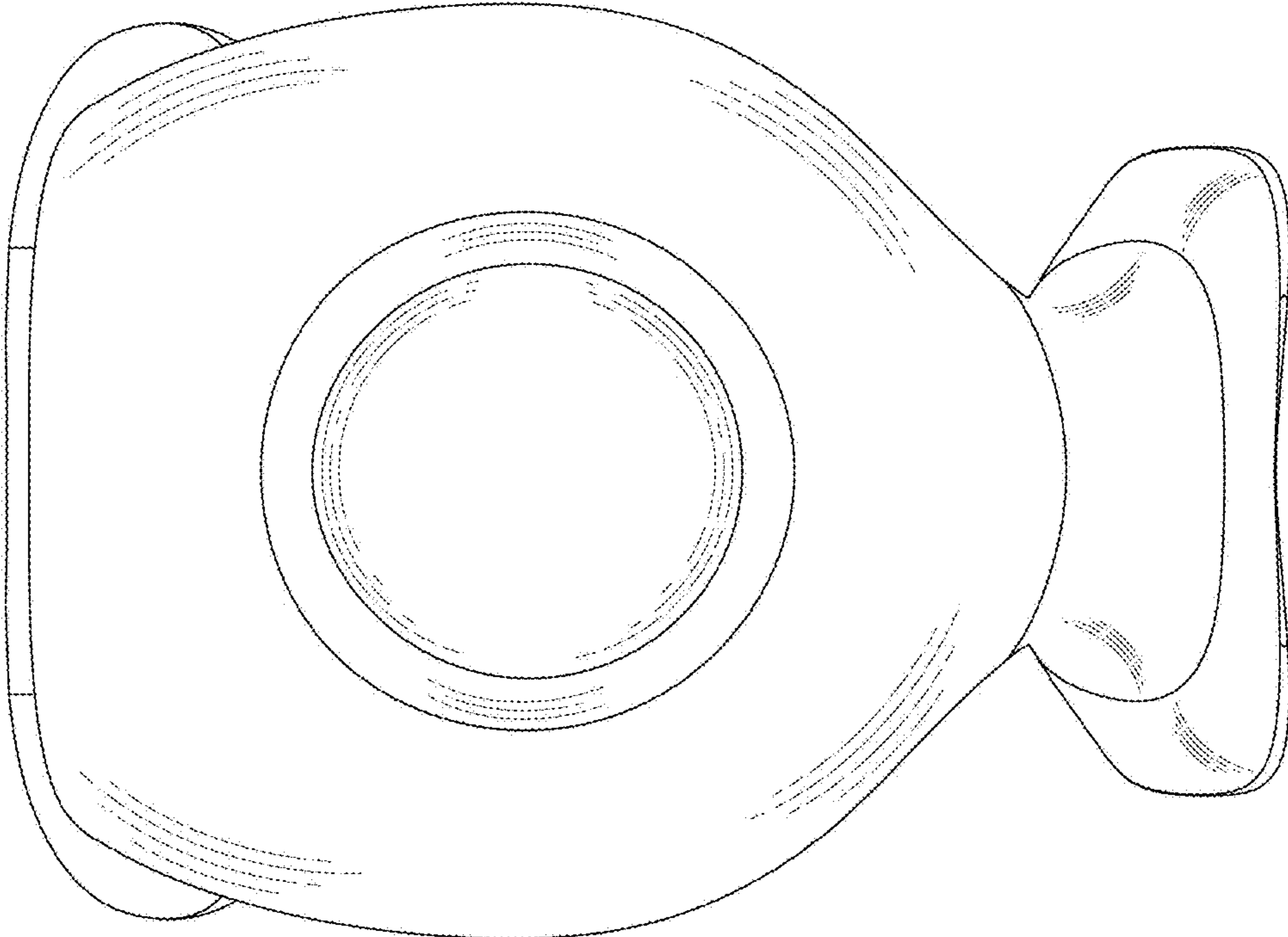


FIG. 3

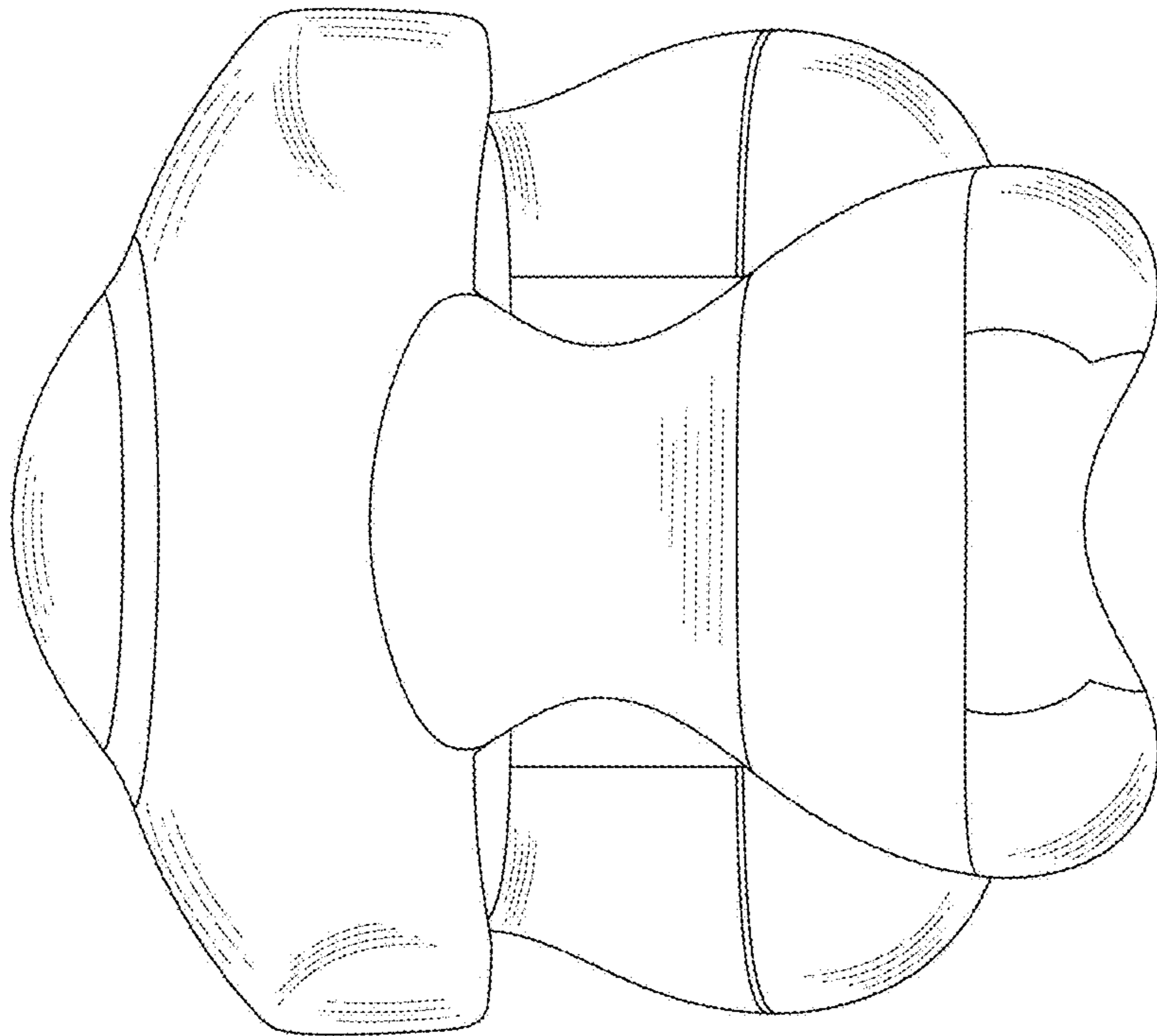


FIG. 4

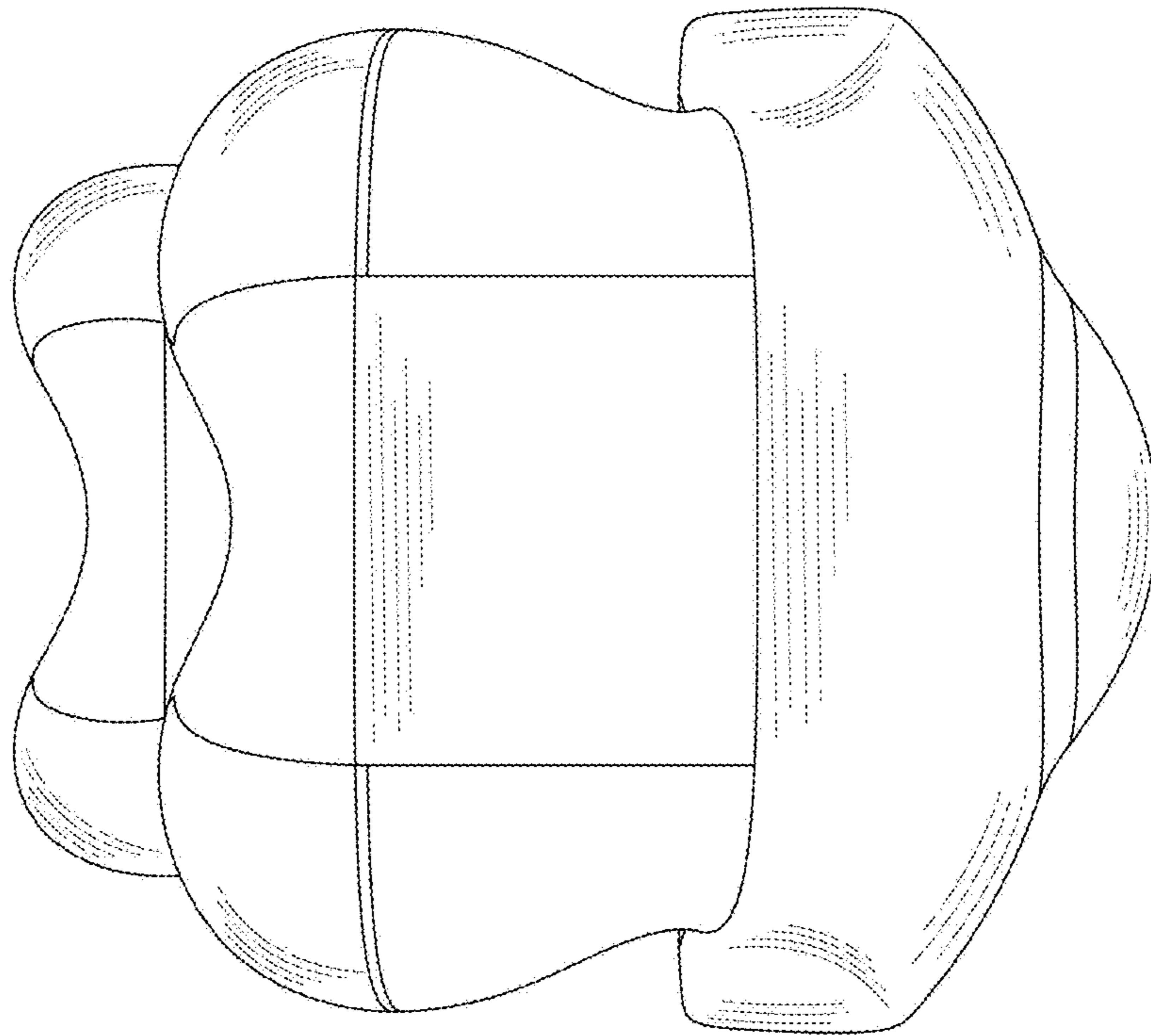


FIG. 5

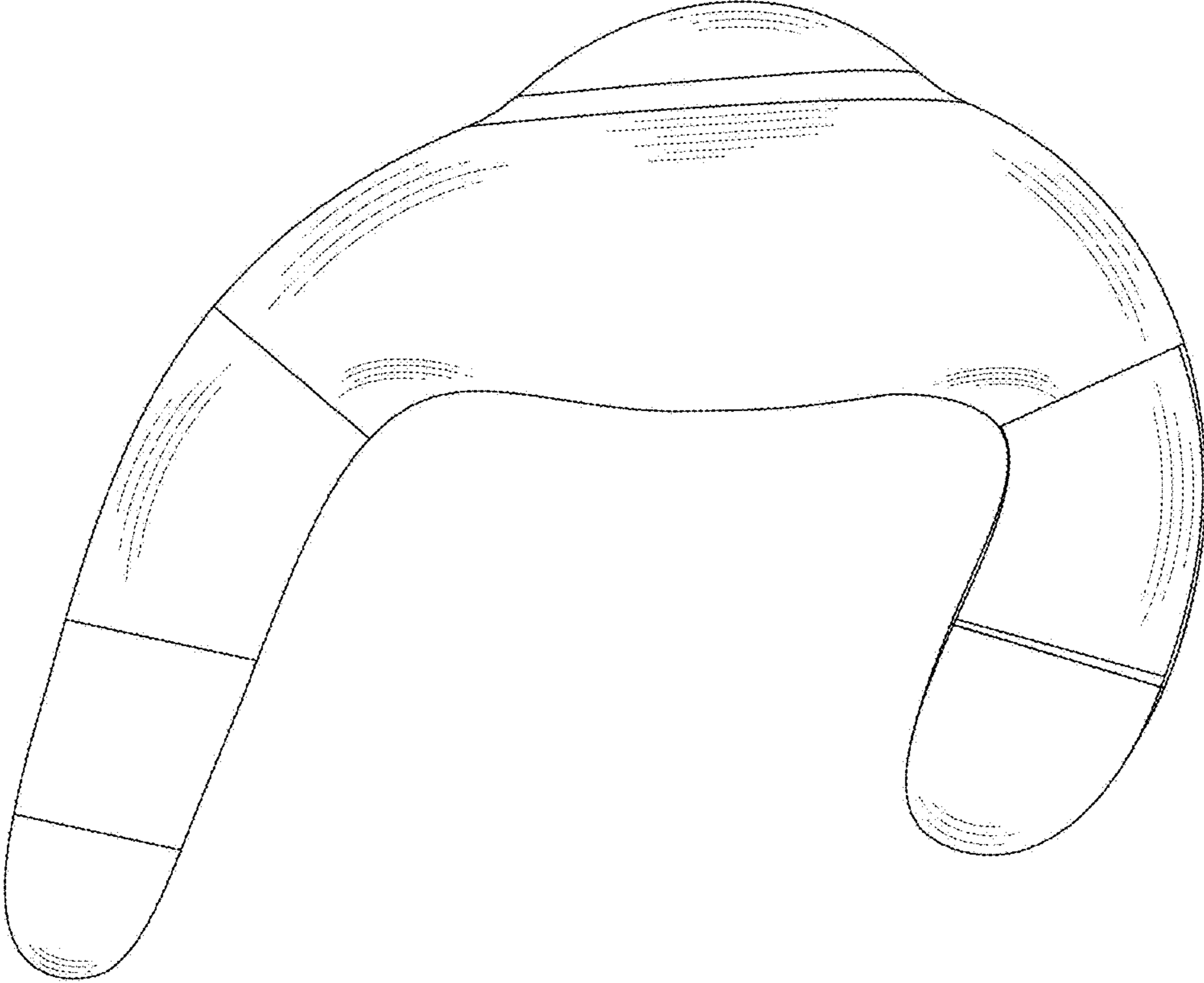


FIG. 6

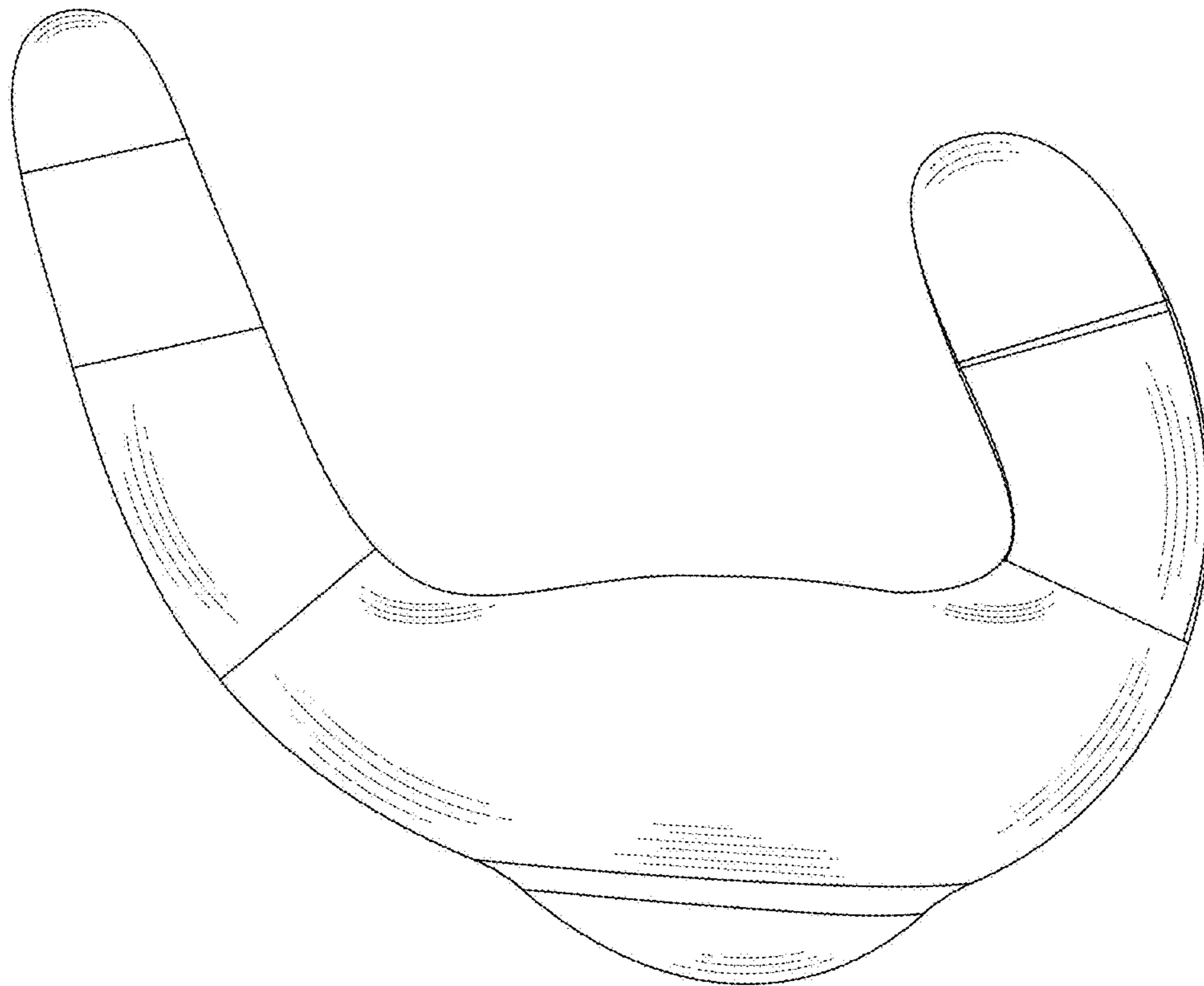


FIG. 7